

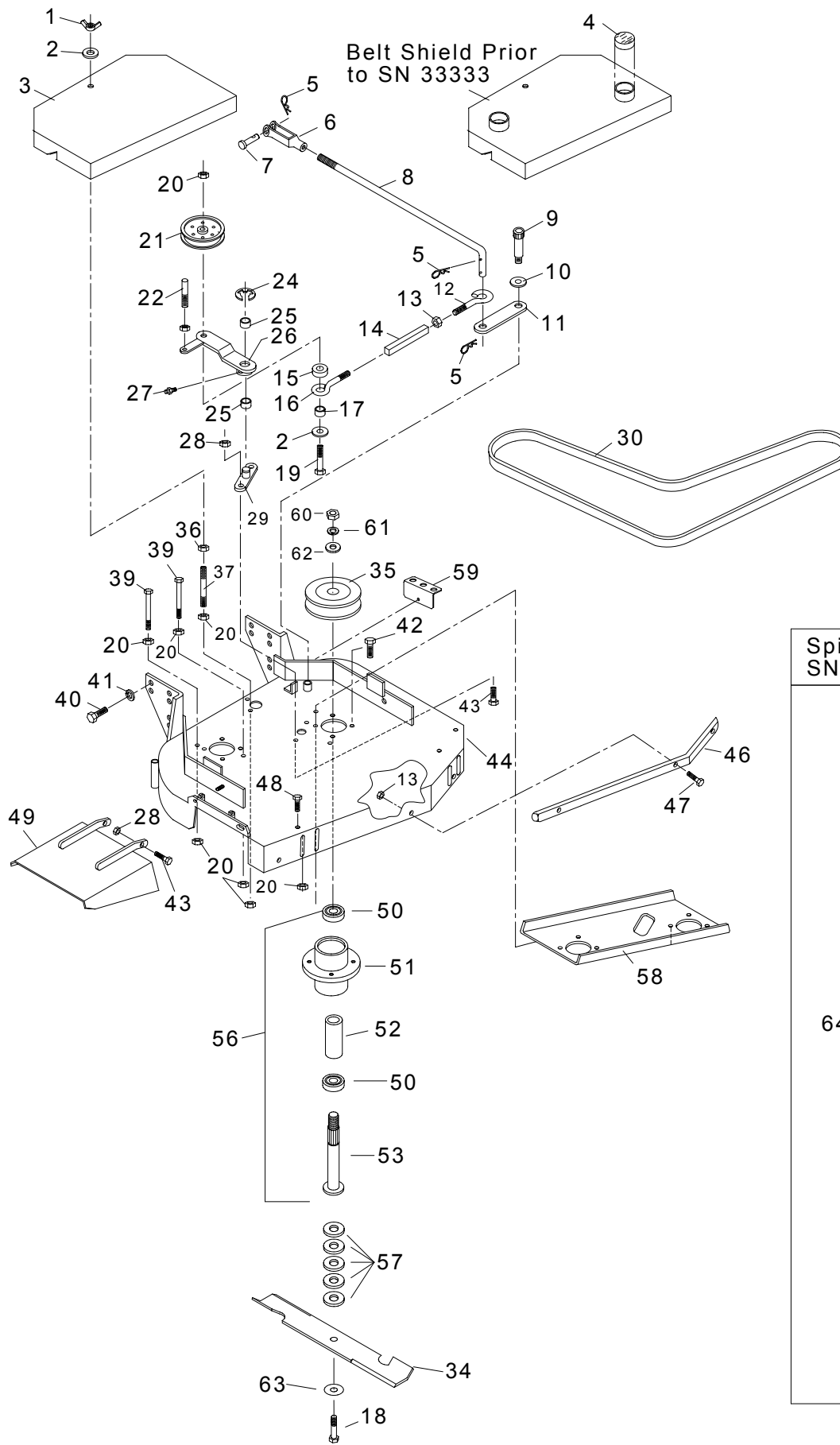
PREMIER
Series **HYDROPRO**

36K250

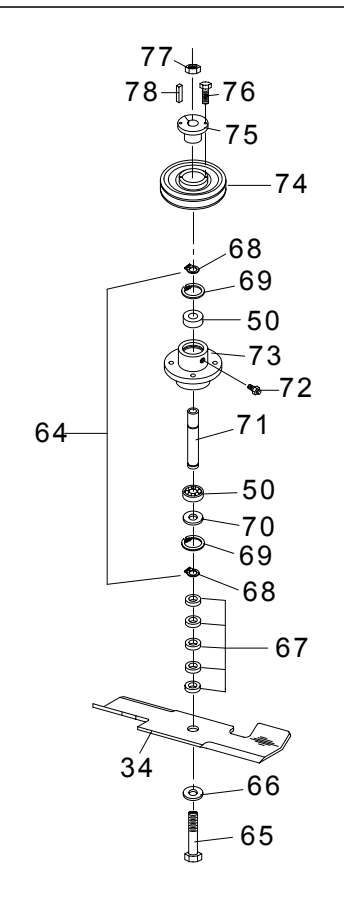
**PARTS
MANUAL**



32" FRONT DECK ASSEMBLY



Spindle Assy Prior To SN 33333



HYDRO DRIVE WALK BEHIND 32" FRONT DECK ASSEMBLY

SEE NOTES

#	PART NO.	QTY	DESCRIPTION
1	103027	3	3/8" WING NUT
2	105260	4	3/8" STD. FLAT WASHER
3	322002	1	BELT COVER
4	363161	2	BELT COVER CAP
5	363165	3	HAIRPIN COTTER
6	363192	1	LARGE YOKE
7	363196	1	CLEVIS PIN
8	323002	1	BLADE DRIVE LINKAGE
9	109014	1	SHOULDER BOLT
10	363240	1	SHOULDER SPACER
11	363085	1	CAM LINK
12	363080	1	RIGHT EYEBOLT
13	109001	4	5/16" WHIZLOCK NUT
14	363172	1	TURNBUCKLE BODY
15	363097	1	TURNBUCKLE SPACER
16	363082	1	LEFT EYEBOLT
17	363174	1	EYEBOLT SPACER
18A	100356	2	5/8"-11 X 1 1/2" HEX BOLT
18B	100358	2	5/8"-11 X 2 1/4" HEX BOLT
19	100298	1	3/8" X 2 1/2" BOLT
20	109007	18	3/8" WHIZLOCK NUT
21	363264	1	ENGAGEMENT IDLER (WF)
22	363249	1	BELT SNUBBER
24	108509	1	"E" RING
25	363089	2	BRONZE BUSHING
26	362071	1	ENGAGEMENT ARM W/BUSHING
27	111004	1	1/4" - 28 ZERK
28	104256	14	5/16" NYLOC HEX NUT
29	362024	1	IDLER PIVOT ASSY.
30	323003	1	BLADE DRIVE BELT
34	483035	2	16" BLADE
35	363378	2	RAISED PULLEY
36	104257	1	3/8" NYLOC HEX NUT
37	363090	2	BELT SHIELD SUPPORT
39	100306	4	3/8" X 5" HEX BOLT
40	100309	6	7/16" 1" HEX BOLT
41	105007	6	7/16" LOCK WASHER
42	100274	8	5/16" X 1 1/4" HEX BOLT
43	100273	8	5/16" X 1" HEX BOLT
44	322004	1	32" FRONT DECK
45	109014	1	SHOULDER BOLT
46	323029	1	SQUARE BUMPER

HYDRO DRIVE WALK BEHIND 32" FRONT DECK ASSEMBLY

SEE NOTES

#	PART NO.	QTY	DESCRIPTION	
47	100276	3	5/16" X 1 3/4" HEX BOLT	
48	100292	6	3/8" X 1" HEX BOLT	
49	362012	1	GRASS DEFLECTOR	
50	363350	4	SPINDLE BEARING	
51	363380	2	BLADE SPINDLE HOUSING	
52	583113	2	BEARING SPACER TUBE	
53	583112	2	SPINDLE SHAFT	
56	363379	2	SPINDLE ASSY COMPLETE	
57	363382	10	BLADE SPACER	
58	323031	1	32" DECK CHANNEL	
59	322019	1	SPACER BRACKET	
60	104511	2	3/4"-16 HEX NUT	
61	105010	2	3/4" LOCK WASHER	
62	105269	2	3/4" S.A.E. FLAT WASHER	
63	583108	2	5/8" DISC SPRING WASHER	
64	362044	2	CUTTER HOUSING ASSY	1
65	100353	2	5/8" X 9 1/2" HEX BOLT	1
66	105268	2	5/8" STD. FLAT WASHER	1
67	363170	10	BLADE SPACER	1
68	108507	4	1" RETAINING RING	1
69	108506	4	INT. SNAP RING	1
70	363060	2	DUST CAP	1
71	363058	2	SPINDLE SHAFT	1
72	111002	2	5/16" DRIVE ZERK	1
73	363053	2	BLADE SPINDLE HOUSING	1
74	363216	2	TAPER LOCK SHEAVE	1
75	363217	2	TAPER LOCK HUB	1
76	100252	4	1/4" X 3/4" HEX BOLT	1
77	104510	2	5/8"-11 HEX NUT	1
78	363242	2	BLADE SPINDLE KEY	1

NOTES:

1: Item refers to units prior to serial #33333

36" FRONT DECK ASSEMBLY



HYDRO DRIVE WALK BEHIND 36" FRONT DECK ASSEMBLY

SEE NOTES

#	PART NO.	QTY	DESCRIPTION
1	103027	3	3/8" WING NUT
2	105260	4	3/8" STD. FLAT WASHER
3	362043	1	BELT COVER
4	363161	2	BELT COVER CAP
5	363165	3	HAIRPIN COTTER
6	363192	1	LARGE YOKE
7	363196	1	CLEVIS PIN
8	363194	1	BLADE DRIVE LINKAGE
9	109014	1	SHOULDER BOLT
10	363240	1	SHOULDER SPACER
11	363085	1	CAM LINK
12	363080	1	RIGHT EYEBOLT
13	109001	4	5/16" WHIZLOCK NUT
14	363172	1	TURNBUCKLE BODY
15	363097	1	TURNBUCKLE SPACER
16	363082	1	LEFT EYEBOLT
17	363174	1	EYEBOLT SPACER
18A	100356	2	5/8"-11 X 1 1/2" HEX BOLT
18B	100358	2	5/8"-11 X 2 1/4" HEX BOLT
19	100298	1	3/8" X 2 1/2" BOLT
20	109007	18	3/8" WHIZLOCK NUT
21	363264	1	ENGAGEMENT IDLER (WF)
22	363249	1	BELT SNUBBER
24	108509	1	"E" RING
25	363089	2	BRONZE BUSHING
26	362071	1	ENGAGEMENT ARM W/BUSHING
27	111004	1	1/4" - 28 ZERK
28	104256	14	5/16" NYLOC HEX NUT
29	362024	1	IDLER PIVOT ASSY.
30	363210	1	BLADE DRIVE BELT
34	363291	2	18" BLADE
35	363378	2	RAISED PULLEY
36	104257	1	3/8" NYLOC HEX NUT
37	363090	2	BELT SHIELD SUPPORT
38	362018	2	FRONT BELT GUIDE
39	100306	2	3/8" X 5" HEX BOLT
40	100309	6	7/16" 1" HEX BOLT
41	105007	6	7/16" LOCK WASHER
42	100274	8	5/16" X 1 1/4" HEX BOLT
43	100273	8	5/16" X 1" HEX BOLT
44	362077	1	36" FRONT DECK
45	109014	1	SHOULDER BOLT

HYDRO DRIVE WALK BEHIND 36" FRONT DECK ASSEMBLY

SEE NOTES

#	PART NO.	QTY	DESCRIPTION	
46	363304	1	SQUARE BUMPER	
47	100276	3	5/16" X 1 3/4" HEX BOLT	
48	100292	6	3/8" X 1" HEX BOLT	
49	362012	1	GRASS DEFLECTOR	
50	363350	4	SPINDLE BEARING	
51	363380	2	BLADE SPINDLE HOUSING	
52	583113	2	BEARING SPACER TUBE	
53	583112	2	SPINDLE SHAFT	
56	363379	2	SPINDLE ASSY COMPLETE	
57	363382	10	BLADE SPACER	
58	363301	1	36" DECK CHANNEL	
59	322019	1	SPACER BRACKET	
60	104511	2	3/4"-16 HEX NUT	
61	105010	2	3/4" LOCK WASHER	
62	105269	2	3/4" S.A.E. FLAT WASHER	
63	583108	2	5/8" DISC SPRING WASHER	
64	362044	2	CUTTER HOUSING ASSY	1
65	100353	2	5/8" X 9 1/2" HEX BOLT	1
66	105268	2	5/8" STD. FLAT WASHER	1
67	363170	10	BLADE SPACER	1
68	108507	4	1" RETAINING RING	1
69	108506	4	INT. SNAP RING	1
70	363060	2	DUST CAP	1
71	363058	2	SPINDLE SHAFT	1
72	111002	2	5/16" DRIVE ZERK	1
73	363053	2	BLADE SPINDLE HOUSING	1
74	363216	2	TAPER LOCK SHEAVE	1
75	363217	2	TAPER LOCK HUB	1
76	100252	4	1/4" X 3/4" HEX BOLT	1
77	104510	2	5/8"-11 HEX NUT	1
78	363242	2	BLADE SPINDLE KEY	1

NOTES:

1: Item refers to units prior to serial #33333

48" FRONT DECK ASSEMBLY



HYDRO DRIVE WALK BEHIND 48" FRONT DECK ASSEMBLY

SEE NOTES

#	PART NO.	QTY	DESCRIPTION
1	103027	3	3/8" WING NUT
2	105260	4	3/8" STD. FLAT WASHER
3	362043	1	BELT COVER
4	363161	2	BELT COVER CAP
5	363165	3	HAIRPIN COTTER
6	363192	1	LARGE YOKE
7	363196	1	CLEVIS PIN
8	483028	1	BLADE DRIVE LINKAGE
9	109014	1	SHOULDER BOLT
10	363240	1	SHOULDER SPACER
11	363085	1	CAM LINK
12	363080	1	RIGHT EYEBOLT
13	109001	4	5/16" WHIZLOCK NUT
14	363172	1	TURNBUCKLE BODY
15	363097	1	TURNBUCKLE SPACER
16	363082	1	LEFT EYEBOLT
17	363174	1	EYEBOLT SPACER
18A	100356	2	5/8"-11 X 1 1/2" HEX BOLT
18B	100358	2	5/8"-11 X 2 1/4" HEX BOLT
19	100298	1	3/8" X 2 1/2" BOLT
20	109007	18	3/8" WHIZLOCK NUT
21	363264	1	ENGAGEMENT IDLER (WF)
22	100297	1	3/8" x 2 1/4" HEX BOLT
23	108509	1	"E" RING
24	363089	4	BRONZE BUSHING
25	362071	1	ENGAGEMENT ARM W/BUSHING
26	104256	15	5/16" NYLOC HEX NUT
27	362024	2	IDLER PIVOT ASSY.
28	104511	3	3/4"-16 HEX NUT
29	105010	3	3/4" LOCK WASHER
30	105269	3	3/4" S.A.E. FLAT WASHER
31	583110	1	PULLEY SPACER
32	583107	1	PULLEY
33	363378	1	RAISED PULLEY
34	363377	1	DOUBLE PULLEY
35	104257	3	3/8" NYLOC HEX NUT
36	483025	1	RIGHT HAND IDLER PULLEY
37	482005	1	IDLER ARM RIGHT
38	483003	1	BELT TENSION ROD
39	483017	1	RIGHT HAND IDLER SPACER
40	483019	1	RIGHT HAND IDLER WASHER
41	483031	1	RIGHT HAND BLADE BELT
42	100309	6	7/16" X 1" HEX BOLT
43	105007	6	7/16" LOCK WASHER
44	482017	1	GRASS DEFLECTOR

HYDRO DRIVE WALK BEHIND 48" FRONT DECK ASSEMBLY

SEE NOTES

#	PART NO.	QTY	DESCRIPTION	
45	100273	8	5/16" X 1" HEX BOLT	
46	100292	8	3/8" X 1" HEX BOLT	
47	363090	1	BE.T SHIELD SUPPORT	
48	100274	12	5/16" X 1 1/4" HEX BOLT	
49	362018	1	FRONT BELT GUIDE	
50	100306	3	3/8" X 5" HEX BOLT	
51	482019	1	48" FRONT DECK	
52	482015	1	48" DECK CHANNEL	
53	100276	4	5/16" X 1 3/4" HEX BOLT	
54	483043	1	SQUARE BUMPER	
55	483030	1	BLADE DRIVE BELT	
56	363350	6	SPINDLE BEARING	
57	363380	3	BLADE SPINDLE HOUSING	
58	583113	3	BEARING SPACER TUBE	
59	583112	3	SPINDLE SHAFT	
60	363382	15	BLADE SPACER	
61	363379	3	CUTTER HOUSING ASSY	
62	483035	3	16" BLADE	
63	583108	3	5/8" DISC SPRING WASHER	
64	322019	1	SPACER BRACKET	
65	322019	2	1/4" ZERK	
66	363249	1	BELT SNUBBER	
67	362044	3	CUTTER HOUSING ASSY	1
68	100353	3	5/8" X 9 1/2" HEX BOLT	1
69	105268	3	5/8" STD. FLAT WASHER	1
70	363170	15	BLADE SPACER	1
71	108507	6	1" RETAINING RING	1
72	108506	6	INT. SNAP RING	1
73	363060	3	DUST CAP	1
74	363058	3	SPINDLE SHAFT	1
75	111002	3	5/16" DRIVE ZERK	1
76	363053	3	BLADE SPINDLE HOUSING	1
77	363216	2	TAPER LOCK SHEAVE	1
78	363217	3	TAPER LOCK HUB	1
79	100252	6	1/4" X 3/4" HEX BOLT	1
80	104510	3	5/8"-11 HEX NUT	1
81	363242	3	BLADE SPINDLE KEY	1
82	483026	1	TAPER LOCK DBLE SHEAVE	1

NOTES:

1: Item refers to units prior to serial #33333

52" FRONT DECK ASSEMBLY



HYDRO DRIVE WALK BEHIND 52" FRONT DECK ASSEMBLY

SEE NOTES

#	PART NO.	QTY	DESCRIPTION
1	103027	4	3/8" WING NUT
2	105260	6	3/8" STD. FLAT WASHER
3	363161	3	BELT COVER CAP
4	522138	1	BELT SHIELD ASSY
5	363165	3	HAIRPIN COTTER
6	363192	1	LARGE YOKE
7	363196	1	CLEVIS PIN
8	363194	1	BLADE DRIVE LINKAGE
9	363240	1	SHOULDER SPACER
10	603023	1	ROLLER
11	363085	1	CAM LINK
12	363080	1	RIGHT EYEBOLT
13	109001	5	5/16" WHIZLOCK NUT
14	363172	1	TURNBUCKLE BODY
15	363097	1	TURNBUCKLE SPACER
16	363082	1	LEFT EYEBOLT
17	363174	1	EYEBOLT SPACER
18	100352	1	5/8" X 9" HEX BOLT
19	100298	1	3/8" X 2 1/2" HEX BOLT
20	109007	12	3/8" WHIZLOCK NUT
21	363264	1	ENGAGEMENT IDLER (WF)
22	100297	1	3/8" X 2 1/4" HEX BOLT
23	108509	1	"E" RING
24	363089	4	BRONZE BUSHING
25	362071	1	ENGAGEMENT ARM W/BUSHING
26	104256	15	5/16" NYLOC HEX NUT
27	362024	2	IDLER PIVOT ASSY.
28	104511	3	3/4" HEX NUT
29	105010	3	3/4" LOCK WASHER
30	105269	3	3/4" S.A.E. FLAT WASHER
31	583110	1	PULLEY SPACER
32	583107	1	PULLEY
33	363378	1	RAISED PULLEY
34	363377	1	DOUBLE PULLEY
35	104257	3	3/8" NYLOC HEX NUT
36	483025	1	RIGHT HAND IDLER PULLEY
37	482005	1	IDLER ARM RIGHT
38	483003	1	BELT TENSION ROD
39	483017	1	RIGHT HAND IDLER SPACER
40	483019	1	RIGHT HAND IDLER WASHER
41	523453	1	RIGHT HAND BLADE BELT
42	100309	6	7/16" X 1" HEX BOLT
43	105007	6	7/16" LOCK WASHER
44	482017	1	GRASS DEFLECTOR
45	100273	8	5/16" X 1" HEX BOLT

HYDRO DRIVE WALK BEHIND 52" FRONT DECK ASSEMBLY

SEE NOTES

#	PART NO.	QTY	DESCRIPTION	
46	100292	8	3/8" X 1" HEX BOLT	
47	363090	1	BELT SHIELD SUPPORT	
48	100274	8	5/16" X 1 1/4" HEX BOLT	
49	523464	1	RIGHT HAND BUMPER	
50	100306	4	3/8" X 5" HEX BOLT	
51	522140	1	52" FRONT DECK	
52	522146	1	DECK CHANNEL	
53	100276	4	5/16" X 1 3/4" HEX BOLT	
54	523464	1	LEFT HAND BUMPER	
55	523452	1	BLADE DRIVE BELT	
56	363350	6	SPINDLE BEARING	
57	363380	3	BLADE SPINDLE HOUSING	
58	583113	3	BEARING SPACER TUBE	
59	583112	3	SPINDLE SHAFT	
60	363382	15	BLADE SPACER	
61	363379	3	CUTTER HOUSING ASSY	
62	363291	3	18" BLADE	
63	583108	3	5/8" DISC SPRING WASHER	
64A	100356	3	5/8"-11 X 1 1/2" HEX BOLT	
64B	100358	3	5/8"-11 X 2 1/4" HEX BOLT	
65	323040	1	SPACER BRACKET	
66	111004	2	1/4" ZERK	
67	363249	1	BELT SNUBBER	1
68	105268	5	5/8" FLAT WASHER	1
69	104269	1	5/8" NYLOC NUT	1
70	109014	1	SHOULDER BOLT	1
71	362044	3	CUTTER HOUSING ASSY	1
72	100353	3	5/8" X 9 1/2" HEX BOLT	1
73	105268	3	5/8" STD. FLAT WASHER	1
74	363170	15	BLADE SPACER	1
75	108507	6	1" RETAINING RING	1
76	108506	6	INT. SNAP RING	1
77	363060	3	DUST CAP	1
78	363058	3	SPINDLE SHAFT	1
79	111002	3	5/16" DRIVE ZERK	1
80	363053	3	BLADE SPINDLE HOUSING	1
81	363216	2	TAPER LOCK SHEAVE	1
82	363217	3	TAPER LOCK HUB	1
83	100252	6	1/4" X 3/4" HEX BOLT	1
84	104510	3	5/8"-11 HEX NUT	1
85	363242	3	BLADE SPINDLE KEY	1
86	483026	1	TAPER LOCK DBLE SHEAVE	1

NOTES:

1: Item refers to units prior to serial #33333

60" FRONT DECK ASSEMBLY



HYDRO DRIVE WALK BEHIND 60" FRONT DECK ASSEMBLY

SEE NOTES

#	PART NO.	QTY	DESCRIPTION
1	103027	4	3/8" WING NUT
2	105260	6	3/8" STD. FLAT WASHER
3	363361	3	BELT COVER CAP
4	602008	1	BELT COVER
5	363165	3	HAIRPIN COTTER
6	363192	1	LARGE YOKE
7	363196	1	CLEVIS PIN
8	603014	1	BLADE DRIVE LINKAGE
9	363240	1	SHOULDER SPACER
10	603023	1	ROLLER
11	363085	1	CAM LINK
12	363080	1	RIGHT EYEBOLT
13	109001	5	5/16" WHIZLOCK NUT
14	363172	1	TURNBUCKLE BODY
15	363097	1	TURNBUCKLE SPACER
16	363082	1	LEFT EYEBOLT
17	363174	1	EYEBOLT SPACER
18A	100356	3	5/8"-11 X 1 1/2" HEX BOLT
18B	100358	3	5/8"-11 X 2 1/4" HEX BOLT
19	100298	1	3/8" X 2 1/2" BOLT
20	109007	12	3/8" WHIZLOCK NUT
21	363264	1	ENGAGEMENT IDLER (WF)
22	100297	1	3/8" x 2 1/4" HEX BOLT
23	108509	1	"E" RING
24	363089	4	BRONZE BUSHING
25	362071	1	ENGAGEMENT ARM W/BUSHING
26	104256	15	5/16" NYLOC HEX NUT
27	362024	2	IDLER PIVOT ASSY.
28	104511	3	3/4"-16 HEX NUT
29	105010	3	3/4" LOCK WASHER
30	105269	3	3/4" S.A.E. FLAT WASHER
31	583110	1	PULLEY SPACER
32	583107	1	PULLEY
33	363378	1	RAISED PULLEY
34	363377	1	DOUBLE PULLEY
35	104257	3	3/8" NYLOC HEX NUT
36	483025	1	RIGHT HAND IDLER PULLEY
37	482005	1	IDLER ARM RIGHT
38	483003	1	BELT TENSION ROD
39	483017	1	RIGHT HAND IDLER SPACER
40	483019	1	RIGHT HAND IDLER WASHER
41	603016	1	RIGHT HAND BLADE BELT

HYDRO DRIVE WALK BEHIND 60" FRONT DECK ASSEMBLY

SEE NOTES

#	PART NO.	QTY	DESCRIPTION	
42	100309	6	7/16" X 1" HEX BOLT	
43	105007	6	7/16" LOCK WASHER	
44	482017	1	GRASS DEFLECTOR	
45	100273	8	5/16" X 1" HEX BOLT	
46	100292	6	3/8" X 1" HEX BOLT	
47	363090	1	BELT SHIELD SUPPORT	
48	100274	12	5/16" X 1 1/4" HEX BOLT	
49	603038	1	RIGHT HAND BUMPER	
50	100306	3	3/8" X 5" HEX BOLT	
51	602011	1	60" FRONT DECK	
52	602010	1	60" DECK CHANNEL	
53	100276	4	5/16" X 1 3/4" HEX BOLT	
54	603040	1	LEFT HAND BUMPER	
55	603015	1	BLADE DRIVE BELT	
56	363350	6	SPINDLE BEARING	
57	363380	3	BLADE SPINDLE HOUSING	
58	583113	3	BEARING SPACER TUBE	
59	583112	3	SPINDLE SHAFT	
60	363382	15	BLADE SPACER	
61	363379	3	CUTTER HOUSING ASSY	
62	603035	3	20" BLADE	
63	583108	3	5/8" DISC SPRING WASHER	
64	100352	1	5/8" X 9" HEX BOLT	
65	322019	1	SPACER BRACKET	
66	111004	2	1/4" ZERK	
67	363249	1	BELT SNUBBER	
68	105268	5	5/8" FLAT WASHER	
69	104261	1	5/8" NYLOCK NUT	
70	109014	1	SHOULDER BOLT	
71	362044	3	CUTTER HOUSING ASSY	1
72	100353	3	5/8" X 9 1/2" HEX BOLT	1
73	105268	3	5/8" STD. FLAT WASHER	1
74	363170	15	BLADE SPACER	1
75	108507	6	1" RETAINING RING	1
76	108506	6	INT. SNAP RING	1
77	363060	3	DUST CAP	1
78	363058	3	SPINDLE SHAFT	1
79	111002	3	5/16" DRIVE ZERK	1
80	363053	3	SPINDLE HOUSING	1
81	363216	2	TAPER LOCK SHEAVE	1
82	363217	3	TAPER LOCK HUB	1
83	100252	6	1/4" X 3/4" HEX BOLT	1

HYDRO DRIVE WALK BEHIND 60" FRONT DECK ASSEMBLY

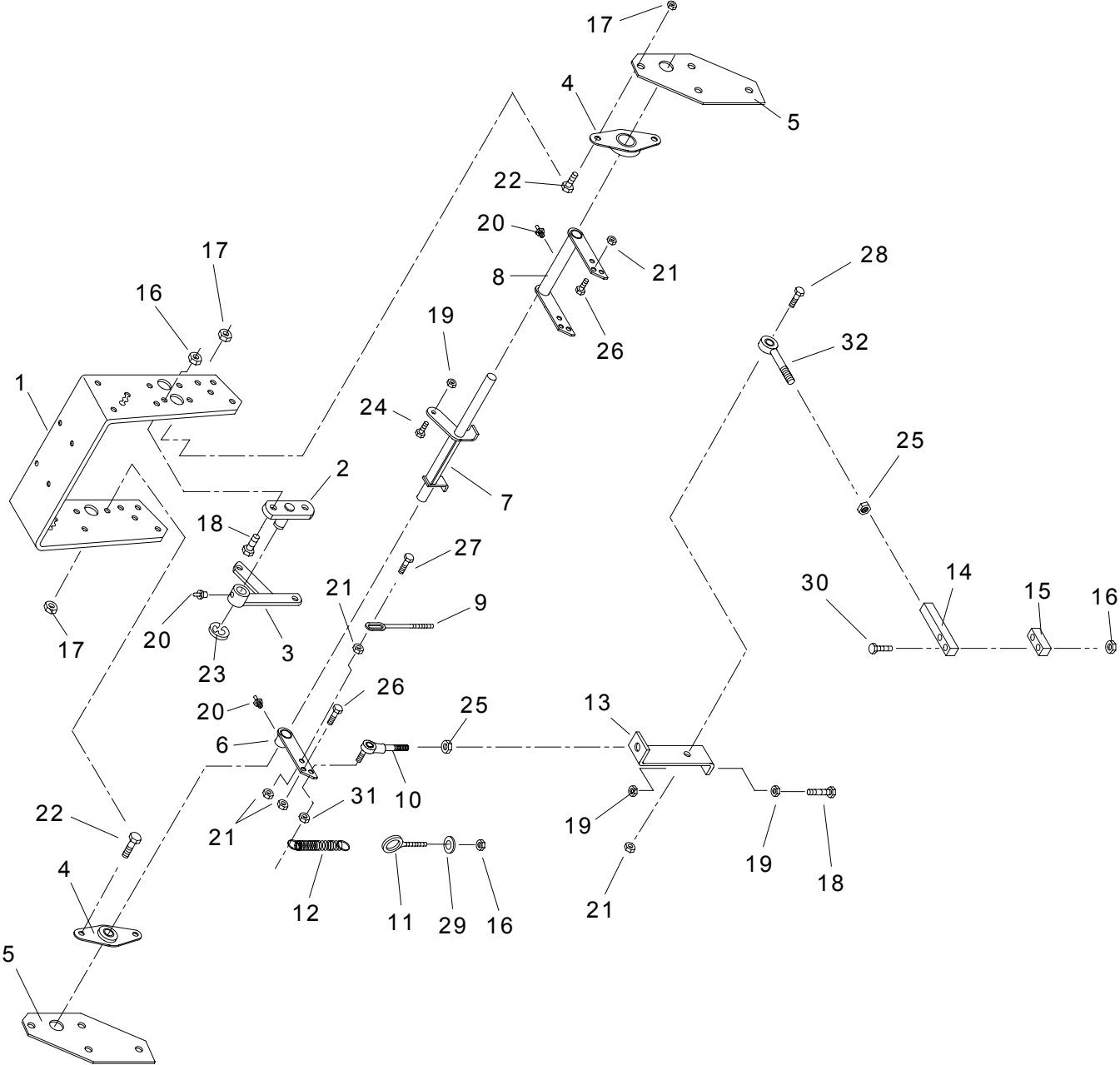
SEE NOTES

#	PART NO.	QTY	DESCRIPTION	
84	104510	3	5/8"-11 HEX NUT	1
85	363242	3	BLADE SPINDLE KEY	1
86	483026	1	TAPER LOCK DBLE SHEAVE	1

NOTES:

1: Item refers to units prior to serial #33333

CONTROL ASSEMBLY

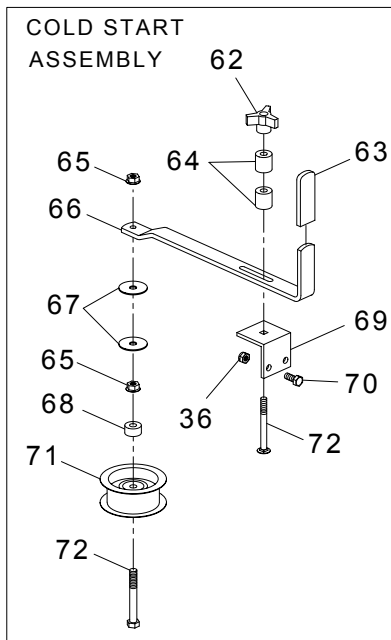


HYDRO WALK BEHIND CONTROL ASSEMBLY

#	PART NO.	QTY	DESCRIPTION
1	363148	1	LOWER HANDLE
2	362033	1	BELL CRANK MOUNT
3	362040	1	BELL CRANK
4	363292	2	FLANGE BEARING
5	453150	2	CONTROL BEARING MOUNT
6	452028	1	RIGHT CONTROL W/ZERK
7	452018	1	CAM WELDMENT
8	452027	1	LEFT CONTROL W/ZERK
9	453080	2	STOP ROD
10	423160	2	MALE ROD END
11	453130	2	1/4" EYE BOLT
12	363117	2	TENSION SPRING
13	453148	2	THREADED PUMP LINK
14	453092	2	PUMP CONTROL BAR
15	453090	2	CLAMP BAR
16	104255	8	1/4"-20 NYLOC HEX NUT
17	100292	8	3/8"-16 NYLOC HEX NUT
18	100004	4	1/4"-20 X 1" HEX BOLT
19	109000	5	1/4"-20 WHIZLOC NUT
20	111004	3	1/4"-28 GREASE ZERK
21	109001	10	5/16"-18 WHIZLOCK NUT
22	100292	8	3/8"-16 X 1" HEX BOLT
23	108500	1	5/8" E-RING
24	100255	1	1/4"-20 X 1 1/4" HEX BOLT
25	104752	6	5/16"-24 JAM NUT
26	100274	2	5/16"-18 X 1 1/4" HEX BOLT
27	100275	2	5/16"-18 X 1 1/2" HEX BOLT
28	100273	2	5/16"-18 X 1" HEX BOLT
29	105256	2	1/4" FLAT WASHER
30	100257	4	1/4"-20 X 1 3/4" HEX BOLT
31	104251	2	3/8"-24 NYLOC NUT
32	453082	2	.312 ROD END (MALE)

NOTES:

REAR DECK ASSEMBLY



HYDRO WALK BEHIND REAR DECK ASSEMBLY

SEE NOTES

#	PART NO.	QTY	DESCRIPTION	
1	603031	1	DRAIN CLAMP (VANGUARD)	
2	602006	1	OIL DRAIN ASSY (VANGUARD)	
3	603030	1	DRAIN CAP (VANGUARD)	
4	603029	1	DRAIN FITTING (VANGUARD)	
5	603025	1	DRAIN LINE (VANGUARD)	
6	603026	1	ENGINE FITTING (VANGUARD)	
7	453129	1	TANK TO PUMP LINE	
8	453106	1	SWIVEL TEE	
9	453075	1	45 DEGREE SWIVEL	
10	453127	1	PUMP TO PUMP FEED	
11A	453118	1	RIGHT HAND INSIDE LINE	
11A	453119	1	RIGHT HAND OUTSIDE LINE	
11A	453120	1	LEFT HAND INSIDE LINE	
11A	453121	1	LEFT HAND OUTSIDE LINE	
11B	453122	1	RIGHT HAND INSIDE LINE	2
11B	453123	1	RIGHT HAND OUTSIDE LIINE	2
11B	453124	1	LEFT HAND INSIDE LINE	2
11B	453125	1	LEFT HAND OUTSIDE LINE	2
12	453109	1	90 DEGREE SWIVEL	
13	453020	1	CROSS ADAPTER	
14	453126	1	PUMP TO PUMP RETURN	
15	453074	1	90 DEGREE ADAPTER	
16	452002	1	HYDRO REAR DECK	
17A	453066	2	TIRE 16-6.50 X 8	
17B	323034	2	TIRE 16-6.50 X 8 (32" DECK)	
18A	453067	2	RIM W/VALVE STEM	
18B	323035	2	RIM W/VALVE STEM (32" DECK)	
19	453064	2	WHEEL HUB	
20	453068	2	WHEEL MOTOR	
21A	453065	2	RIM & TIRE COMPLETE	
21B	323032	2	RIM & TIRE COMPLETE (32" DECK)	
22	362031	1	BELT GUIDE BRKT (32" & 36" DECK)	
23A	482003	1	BELT GUIDE BRKT (48" & 60" DECK)	
23B	383003	1	BELT GUIDE BRKT (52" DECK)	
24	453113	4	PUMP ELBOW	
25	453080	2	STOP ROD	
26	363169	1	SMALL IDLER	
27	363124	2	SPACER	
28	453071	1	PUMP DRIVE PULLEY	
29A	363216	1	TAPER LOCK SHEAVE	
29B	823289	1	TAPER LOCK SHEAVE (52" DECK)	
30	363215	1	1" TAPER HUB	
31	363212	1	DRIVE BELT	
32	523320	1	FLAT BELT GUIDE	
33A	453161	2	HYDRO PULLEY-TAPER LOCK	
33B	453117	2	REPLACED BY 453161 & 423178	1

HYDRO WALK BEHIND REAR DECK ASSEMBLY

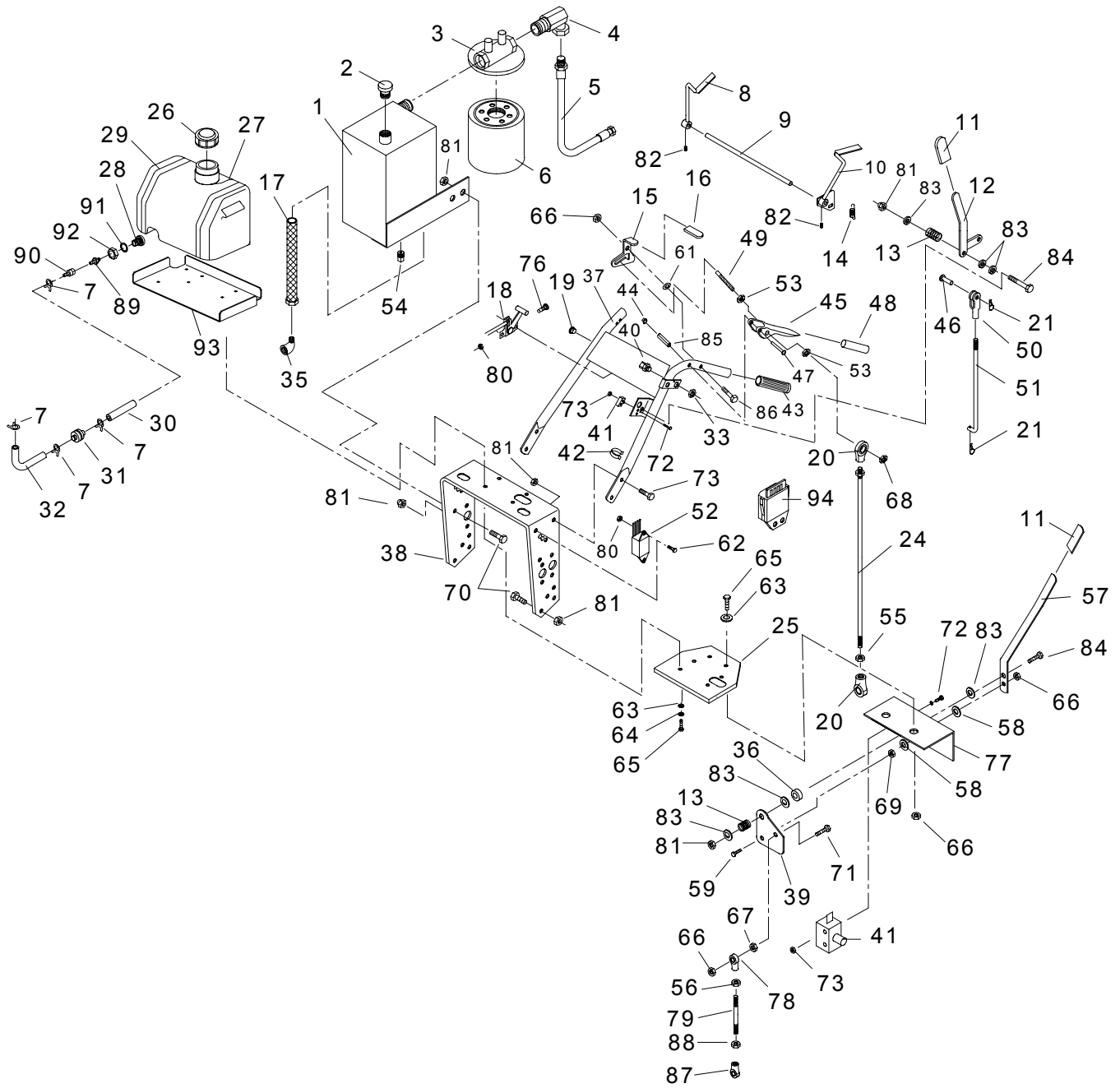
SEE NOTES

#	PART NO.	QTY	DESCRIPTION	
35	103023	10	1/2"-20 HEX LUG NUT	
36	104256	5	5/16"-18 NYLOC HEX NUT	
37	100271	1	5/16"-18 X 3/4" HEX BOLT	
38	100273	3	5/16"-18 X 1" HEX BOLT	
39	100239	4	3/8"-16 X 1 3/4" HEX BOLT	
40	100334	8	1/2" X 3 1/2" HEX BOLT	
41	105268	17	1/2" FLAT WASHER	
42	104261	8	1/2"-13 NYLOC HEX NUT	
43	363226	4	SPRING DISC WASHER	
44	100275	4	5/16"-18 X 1 1/2" HEX BOLT (BRIGGS)	
45	109018	4	8MM-1.25 X 25MM HEX BOLT (KAW)	
46	452026	2	MOTOR EXTENSION	2
47	105260	5	3/8" FLAT WASHER	
48	100340	8	1/2"-13 X 6 1/2" HEX BOLT	2
49	104257	5	3/8"-16 NYLOC HEX NUT	
50	105503	6	1/4"-20 X 3/4" HEX BOLT	
51	107012	2	#808 WOODRUFF KEY	
52	453102	2	PUMP KEY	
53	107262	1	1/4" SQ X 2 1/2" KEY	
54	373054	2	SPRING	
55	483019	2	IDLER WASHER	
56	104751	2	5/16"-18 JAM NUT	
57	109001	2	5/16"-18 WHIZLOCK NUT	
58	453114	4	MOTOR ADAPTER	
59	453111	2	PUMP INLET ADAPTER	
60	453110	2	PUMP INLET CONNECTOR	
61	453087	2	PUMP V	
62	753028	1	KNOB	
63	363022	1	ADJUSTMENT LEVER GRIP	
64	363041	2	SPACER	
65	109007	2	3/8"-16 WHIZLOCK NUT	
66	453139	1	COLD START LEVER	
67	483019	2	IDLER WASHER	
68	483017	1	IDLER SPACER	
69	453141	1	COLD START ANGLE	
70	107505	1	5/16"-18 X 3/4" HEX BOLT	
71	393004	1	PULLEY	
72	100030	1	3/8"-16 X 3" HEX BOLT	
73	423178	2	TAPER LOCK HUB	

NOTES:

- 1: Item refers to units prior to serial #30624
- 2: Item refers to units with Wide Track Option (Only)

HANDLE ASSEMBLY



HYDRO WALK BEHIND HANDLE ASSEMBLY

SEE NOTES

#	PART NO.	QTY	DESCRIPTION	
1A	453163	1	OIL TANK W/PLUG	
1B	453046	1	REPLACED BY 453163,363297 & 104256	2
2	453042	1	OIL TANK CAP	
3A	423064	1	FILTER HEAD	
3B	453049	1	FILTER HEAD	2
4A	423067	1	FILTER ADAPTER 90 DEGREE	
4B	453021	1	FILTER ADAPTER 90 DEGREE	2
5A	453126	1	PUMP TO PUMP RETURN	
5B	453025	1	PUMP TO PUMP RETURN	2
6A	423063	1	FILTER	
6B	453048	1	FILTER	2
7	363098	4	FUEL LINE CLAMP	
8	362051	1	RIGHT HAND O.P.C. LEVER	
9	363157	1	CONNECTING ROD	
10	362053	1	LEFT HAND O.P.C. LEVER	
11	363022	2	ADJUSTMENT LEVER GRIP	
12	362058	1	ENGAGEMENT LEVER W/GRIP	
13	363024	2	COMPRESSION SPRING	
14	363155	1	O.P.C. SPRING	
15A	452013	1	LEFT THUMB LATCH	
15B	452014	1	RIGHT THUMB LATCH	
16	363069	2	THUMB LATCH GRIP	
17A	583132	1	SUCTION SCREEN	
17B	453043	1	SUCTION SCREEN	2
18A	363352	1	THROTTLE CONTROL	
18B	363268	1	THROTTLE CONTROL	1
--	-----	-	(14HP KOH & KAW & 12HP BRIGGS)	
18C	603024	1	THROTTLE CONTROL	1
--	-----	-	(16HP & 18HP BRIGGS ONLY)	
19	363159	2	PLASTIC BUSHING	
20	453081	4	ROD END	
21	363165	2	HAIRPIN COTTER	
22	363262	1	SWITCH MOUNT (VANGUARD)	
23	363263	1	THROTTLE SWITCH (VANGUARD)	
24	453086	2	DRIVE LINK	
25	453096	1	SPEED CONTROL MOUNT	
26A	583194	1	FUEL CAP	
26B	363257	1	FUEL CAP	1
27	362087	1	MODULAR FUEL TANK COMPLETE	
28	363355	1	BULKHEAD FITTING	
29	363368	2	FUEL TANK BELT	
30A	603032	1	FUEL LINE	

HYDRO WALK BEHIND HANDLE ASSEMBLY

SEE NOTES

30B	363099		1	FUEL LINE (V-TWINS)	1
31	363032		1	FUEL FILTER	
32	363228		1	SHORT FUEL LINE	
33	363234		1	NUT - O.P.C. SWITCH	
35A	453116		1	.50 NPT ELBOW	
35B	453128		1	REDUCER BUSHING	2
36	363097		1	SPACER	
37A	362085		1	HANDLE ASSEMBLY	
37B	362049		1	REPLACED BY 362085 & 363252	1
38	363148		1	LOWER HANDLE ASSEMBLY	
39	453098		1	LINK PLATE	
40	363208		1	O.P.C. SWITCH	
41	363164		2	BLADE SWITCH	
42	363221		1	CABLE CLIP	
43	363218		2	HANDLE GRIP	
44	363219		2	PUSH NUT	
45	362059		2	DRIVE LEVER W/GRIP	
46	363144		1	CLEVIS PIN - SMALL	
47	363073		2	DRIVE LEVER PIN	
48	363067		2	DRIVE LEVER GRIP	
49	453084		2	LEVER STUD	
50	363152		1	YOKE - SMALL	
51	363150		1	UPPER CRANK LINKAGE	
52	363372		1	SAFETY MODULE	
53	104751		4	5/16"-18 JAM NUT	
54	103019		1	.50 NPT PLUG	
55	104752		4	5/16"-24 JAM NUT	
56	104750		4	1/4"-28 JAM NUT	
57	452006		1	SPEED CONTROL LEVER W/GRIP	
58	453063		2	PLASTIC WASHER	
59	100256		1	1/4"-20 X 1 1/2" HEX BOLT	
61	105500		4	1/4" WAVY WASHER	
62	101039		1	#10-24 X 5/8" SCREW	
63	105256		4	1/4" FLAT WASHER	
64	105004		4	1/4" LOCK WASHER	
65	100004		4	1/4"-20 X 1" HEX BOLT	
66	104255		5	1/4"-20 NYLOC NUT	
67	109000		1	1/4"-20 WHIZLOCK NUT	
68	104256		4	5/16"-18 NYLOC NUT	
69	109001		1	5/16"-18 WHIZLOCK NUT	
70	100292		6	3/8"-16 X 1" HEX BOLT	
71	100255		1	1/4"-20 X 1 1/4" HEX BOLT	
72	101252		4	#5-40 X 1" SCREW	

HYDRO WALK BEHIND HANDLE ASSEMBLY

SEE NOTES

73		104520		4	#5-40 HEX NUT	
74		101250		2	#4-40 X 3/4" SCREW	
75		104500		2	#4-40 HEX NUT	
76		101295		2	#10-24 X 1 1/2" SCREW	
77		453062		1	SPEED CONTROL BRACKET	
78		453070		1	.25 ROD END	
79		453137		1	ADJUSTABLE LINK	
80		104252		3	#10-24 NYLOC NUT	
81		104257		14	3/8"-16 NYLOC NUT	
82		103292		2	1/4"-28 X 1/4" SETSCREW	
83		105260		3	3/8" FLAT WASHER	
84		100296		1	3/8"-16 X 2" HEX BOLT	
85		106340		2	5/16" X1" ROLL PIN	
86		100257		2	1/4"-20 X 1 3/4" HEX BOLT	
87		453135		1	.25 ROD END LEFT HAND	
88		103018		1	1/4"-28 LEFT HAND JAM NUT	
89		363353		1	FUEL COUPLER MALE	
90		363354		1	FUEL COUPLER FEMALE	
91		363370		1	O-RING	
92		104761		1	LEFT HAND NUT	
93		363360		1	TANK MOUNT	
94A		453164		1	WIRE HARNESS - (14HP KAW)	
94B		453160		1	WIRE HARNESS - (17HP KAW)	
94C		453029		1	WIRE HARNESS - (BRIGGS VANGUARD)	

NOTES:

- 1: Item refers to units prior to serial #28160
- 2: Item refers to units prior to serial #31078

CASTER ASSEMBLY



HYDRO DRIVE WALK BEHIND CASTER ASSEMBLY

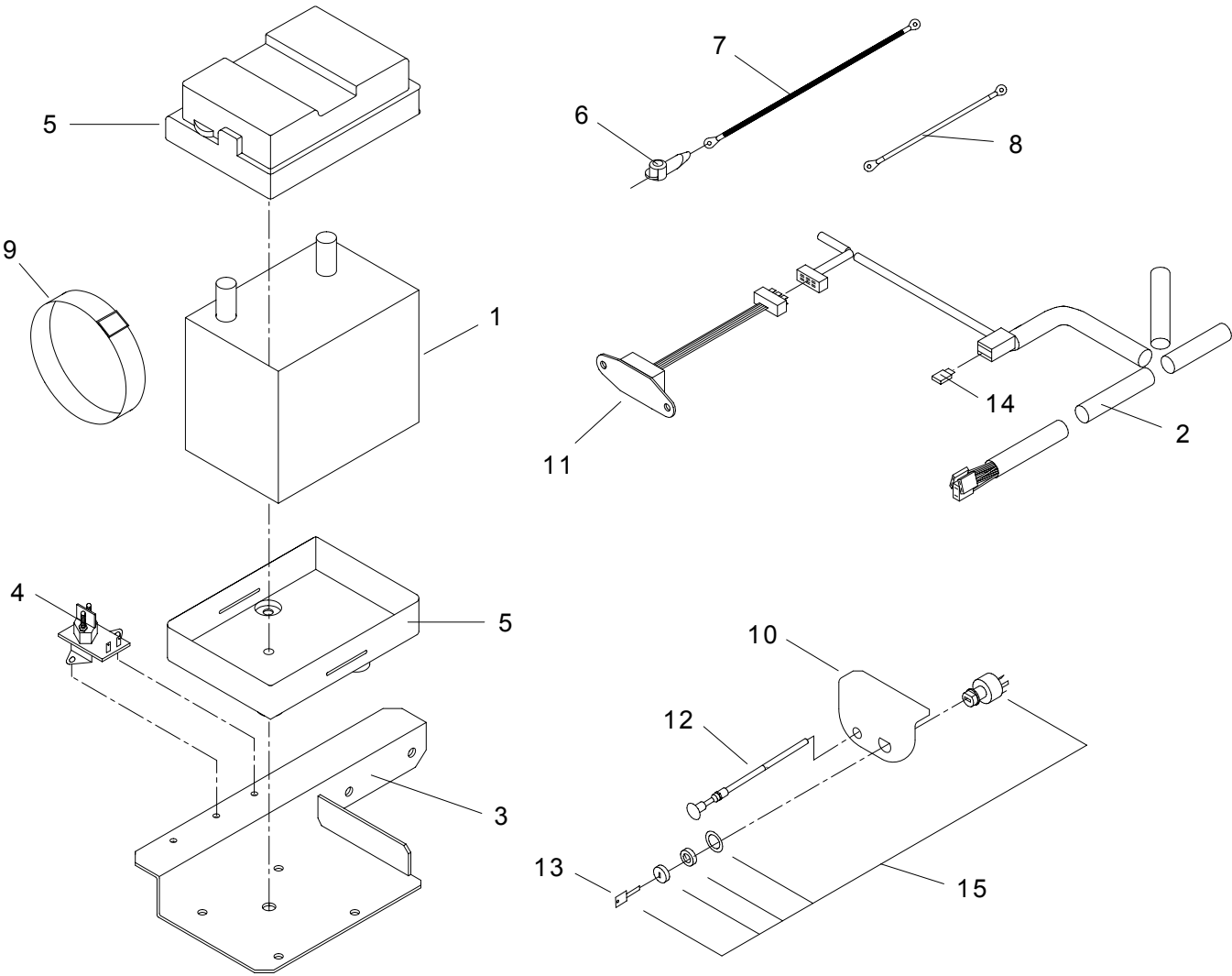
SEE NOTES

#	PART NO.	QTY	DESCRIPTION	
1	363006	10	CASTER SPACER	
2	104259	2	1/2"-13 NYLOC NUT	
3	362007	2	CASTER SUPPORT W/BUSHINGS	
4	111001	2	GREASE ZERK	
5	363007	4	FLANGE BEARING	
6	109020	1	QUICK PIN	
7	362081	2	YOKE STRUT	
8	363307	2	AXLE TUBE	
9A	363011	4	END CAP	1
9B	423201	4	END CAP	
10A	363012	4	ROLLER BEARING	1
10B	423200	2	ROLLER BEARING	
11	111005	2	GREASE ZERK	
12	363260	2	SMOOTH TIRE AND TUBE	
13	100339	2	1/2"-13 X 6" BOLT	
14	363311	2	WHEEL COMPLETE	
15	362082	2	CASTER ASSY COMPLETE	

NOTES:

1: Item refers to units prior to serial #32300

ELECTRIC START ASSEMBLY



HYDRO DRIVE WALK BEHIND ELECTRIC START ASSEMBLY

SEE NOTES

#	PART NO.	QTY	DESCRIPTION	
1	423142	1	BATTERY	
2A	363373	1	WIRE HARNESS (KAW)	
2B	363344	1	WIRE HARNESS (BRIGGS)	
3	322017	1	BATTERY MOUNT BRACKET	
4	423017	1	STARTER RELAY	
5	363345	1	BATTERY CASE SET	
6	423158	3	TERMINAL INSULATOR	
7	423118	1	NEGATIVE CABLE	
8A	423116	1	POSITIVE CABLE (SHORT)	
8B	423117	1	POSITIVE CABLE (LONG)	
9	363349	1	BATTERY BELT	
10	363341*	1	SWITCH ANGLE	1
11	423030	1	SAFETY MODULE	
12A	423153	1	CHOKE CABLE (VANGUARD)	
12B	523027	1	CHOKE CABLE (KAW)	1
13	423209	1	IGNITION KEY	
14	523145	1	20 AMP FUSE	
15	423027	1	IGNITION SWITCH ASSEMBLY	

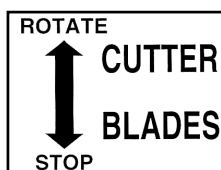
NOTES:

1: Item refers to units prior to serial #28160

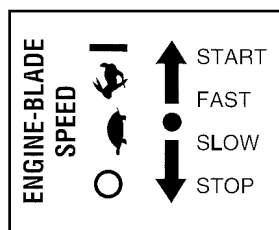
BELT DRIVE WALK BEHIND DECALS



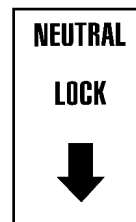
1



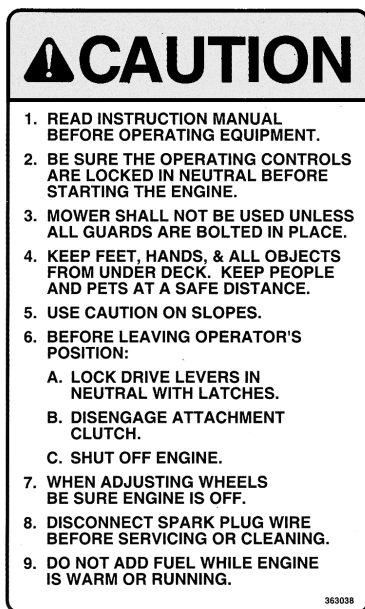
2



3



4



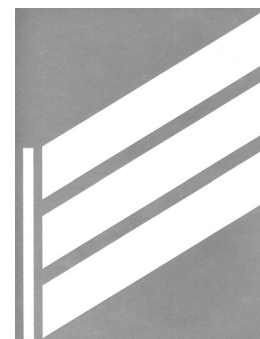
5



6



7



8



9



10



11



12



13



14



15



16



17



18

HYDRO WALK BEHIND DECALS

#	PART NO.	QTY	DESCRIPTION
1	363369	1	Premier Series Decal
2	363037	1	Cutter Blade Label
3	363039	1	Throttle Decal
4	363040	2	Neutral Lock Decal
5	363038	1	Caution/Instr. Label
6	363001	1	Caution Decal
7	363023	1	Danger Decal
8	363232	1	Encore Logo
9	363231	1	Encore Label
10	363214	1	Pro-Line Decal
11	453011	1	Ground Speed Label
12	453010	1	Oil Decal
13	453012	1	Encore Hydro Label
14	323039	1	Hydro Pro 32 Decal
15	363357	1	Hydro Pro 36 Decal
16	483076	1	Hydro Pro 48 Decal
17	523494	1	Hydro Pro 52 Decal
18	603058	1	Hydro Pro 60 Decal

Notes:

Notes:

Notes:

