

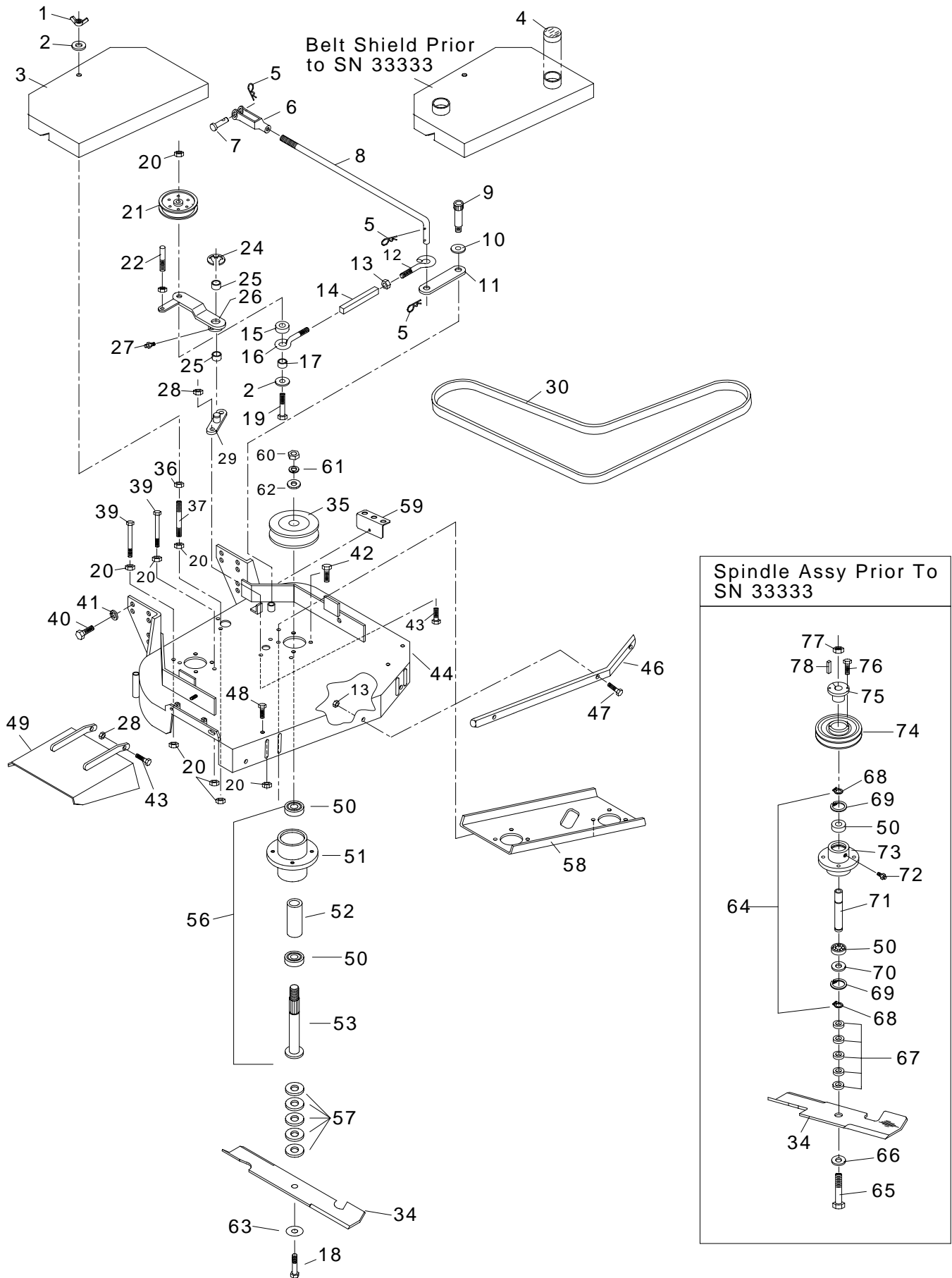


52B400E

**PARTS
MANUAL**



32" FRONT DECK ASSEMBLY



BELT DRIVE WALK BEHIND 32" FRONT DECK ASSEMBLY

SEE NOTES

| # | PART NO. | QTY | DESCRIPTION |
|-----|----------|-----|---------------------------|
| 1 | 103027 | 3 | 3/8" WING NUT |
| 2 | 105260 | 4 | 3/8" STD. FLAT WASHER |
| 3 | 322002 | 1 | BELT COVER |
| 4 | 363161 | 2 | BELT COVER CAP |
| 5 | 363165 | 3 | HAIRPIN COTTER |
| 6 | 363192 | 1 | LARGE YOKE |
| 7 | 363196 | 1 | CLEVIS PIN |
| 8 | 323002 | 1 | BLADE DRIVE LINKAGE |
| 9 | 109014 | 1 | SHOULDER BOLT |
| 10 | 363240 | 1 | SHOULDER SPACER |
| 11 | 363085 | 1 | CAM LINK |
| 12 | 363080 | 1 | RIGHT EYEBOLT |
| 13 | 109001 | 4 | 5/16" WHIZLOCK NUT |
| 14 | 363172 | 1 | TURNBUCKLE BODY |
| 15 | 363097 | 1 | TURNBUCKLE SPACER |
| 16 | 363082 | 1 | LEFT EYEBOLT |
| 17 | 363174 | 1 | EYEBOLT SPACER |
| 18A | 100356 | 2 | 5/8"-11 X 1 1/2" HEX BOLT |
| 18B | 100358 | 2 | 5/8"-11 X 2 1/4" HEX BOLT |
| 19 | 100298 | 1 | 3/8" X 2 1/2" BOLT |
| 20 | 109007 | 18 | 3/8" WHIZLOCK NUT |
| 21 | 363264 | 1 | ENGAGEMENT IDLER (WF) |
| 22 | 363249 | 1 | BELT SNUBBER |
| 24 | 108509 | 1 | "E" RING |
| 25 | 363089 | 2 | BRONZE BUSHING |
| 26 | 362071 | 1 | ENGAGEMENT ARM W/BUSHING |
| 27 | 111004 | 1 | 1/4" - 28 ZERK |
| 28 | 104256 | 14 | 5/16" NYLOC HEX NUT |
| 29 | 362024 | 1 | IDLER PIVOT ASSY. |
| 30 | 323003 | 1 | BLADE DRIVE BELT |
| 34 | 483035 | 2 | 16" BLADE |
| 35 | 363378 | 2 | RAISED PULLEY |
| 36 | 104257 | 1 | 3/8" NYLOC HEX NUT |
| 37 | 363090 | 2 | BELT SHIELD SUPPORT |
| 39 | 100306 | 4 | 3/8" X 5" HEX BOLT |
| 40 | 100309 | 6 | 7/16" 1" HEX BOLT |
| 41 | 105007 | 6 | 7/16" LOCK WASHER |
| 42 | 100274 | 8 | 5/16" X 1 1/4" HEX BOLT |
| 43 | 100273 | 8 | 5/16" X 1" HEX BOLT |
| 44 | 322004 | 1 | 32" FRONT DECK |
| 45 | 109014 | 1 | SHOULDER BOLT |
| 46 | 323029 | 1 | SQUARE BUMPER |
| 47 | 100276 | 3 | 5/16" X 1 3/4" HEX BOLT |
| 48 | 100292 | 6 | 3/8" X 1" HEX BOLT |
| 49 | 362012 | 1 | GRASS DEFLECTOR |

BELT DRIVE WALK BEHIND 32" FRONT DECK ASSEMBLY

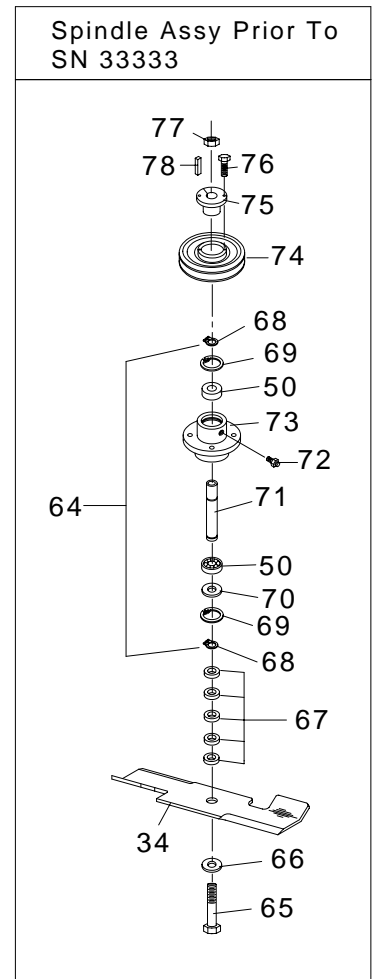
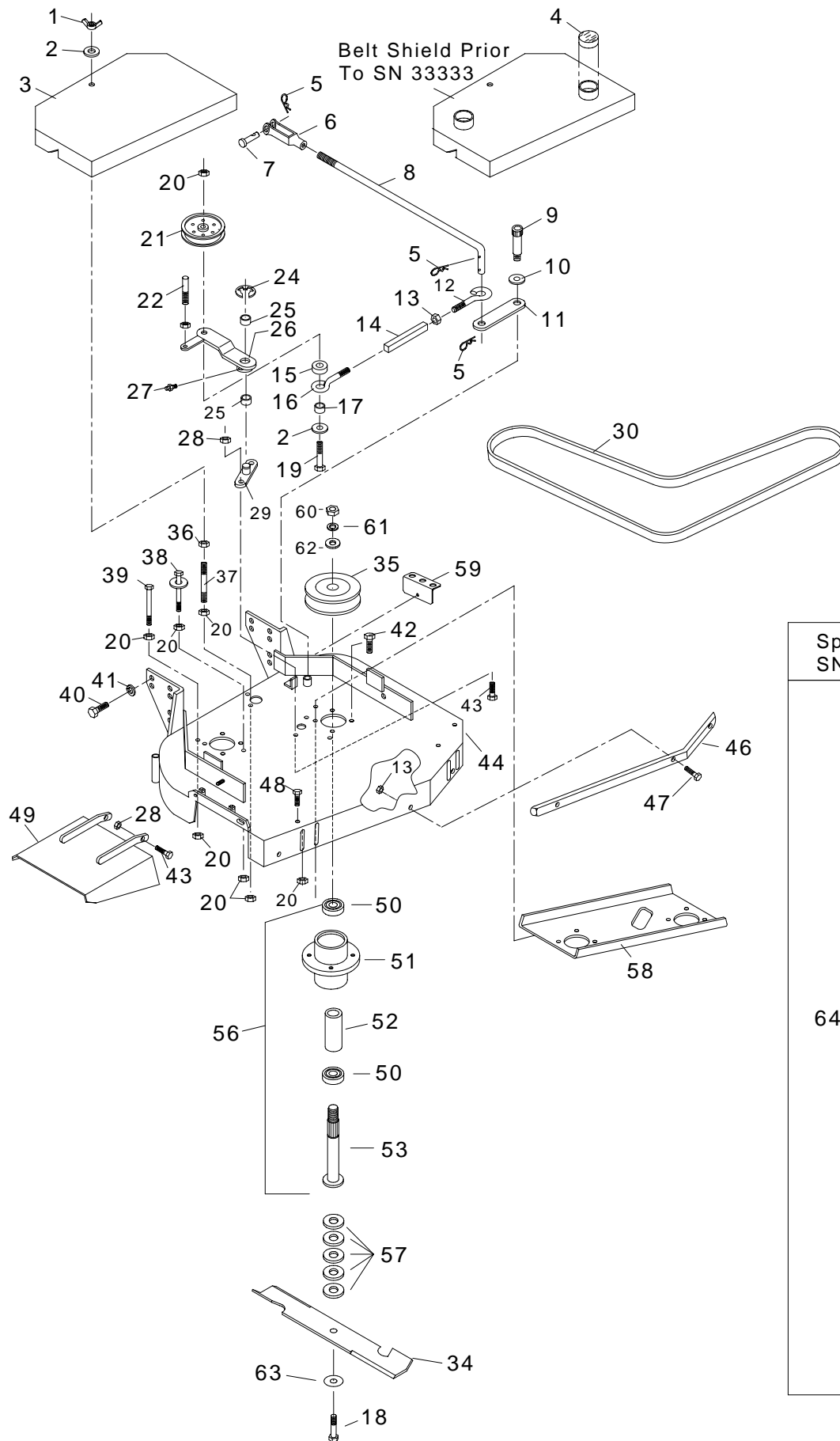
SEE NOTES

| # | PART NO. | QTY | DESCRIPTION | |
|----|----------|-----|-------------------------|---|
| 50 | 363350 | 4 | SPINDLE BEARING | |
| 51 | 363380 | 2 | BLADE SPINDLE HOUSING | |
| 52 | 583113 | 2 | BEARING SPACER TUBE | |
| 53 | 583112 | 2 | SPINDLE SHAFT | |
| 56 | 363379 | 2 | SPINDLE ASSY COMPLETE | |
| 57 | 363382 | 10 | BLADE SPACER | |
| 58 | 323031 | 1 | 32" DECK CHANNEL | |
| 59 | 322019 | 1 | SPACER BRACKET | |
| 60 | 104511 | 2 | 3/4"-16 HEX NUT | |
| 61 | 105010 | 2 | 3/4" LOCK WASHER | |
| 62 | 105269 | 2 | 3/4" S.A.E. FLAT WASHER | |
| 63 | 583108 | 2 | 5/8" DISC SPRING WASHER | |
| 64 | 362044 | 2 | CUTTER HOUSING ASSY | 1 |
| 65 | 100353 | 2 | 5/8" X 9 1/2" HEX BOLT | 1 |
| 66 | 105268 | 2 | 5/8" STD. FLAT WASHER | 1 |
| 67 | 363170 | 10 | BLADE SPACER | 1 |
| 68 | 108507 | 4 | 1" RETAINING RING | 1 |
| 69 | 108506 | 4 | INT. SNAP RING | 1 |
| 70 | 363060 | 2 | DUST CAP | 1 |
| 71 | 363058 | 2 | SPINDLE | 1 |
| 72 | 111002 | 2 | 5/16" DRIVE ZERK | 1 |
| 73 | 363053 | 2 | BLADE SPINDLE HOUSING | 1 |
| 74 | 363216 | 2 | TAPER LOCK SHEAVE | 1 |
| 75 | 363217 | 2 | TAPER LOCK HUB | 1 |
| 76 | 100252 | 4 | 1/4" X 3/4" HEX BOLT | 1 |
| 77 | 104510 | 2 | 5/8"-11 HEX NUT | 1 |
| 78 | 363242 | 2 | BLADE SPINDLE KEY | 1 |

NOTES:

1: Item refers to units prior to serial #33333

36" FRONT DECK ASSEMBLY



BELT DRIVE WALK BEHIND 36" FRONT DECK ASSEMBLY

SEE NOTES

| # | PART NO. | QTY | DESCRIPTION |
|-----|----------|-----|---------------------------|
| 1 | 103027 | 3 | 3/8" WING NUT |
| 2 | 105260 | 4 | 3/8" STD. FLAT WASHER |
| 3 | 362043 | 1 | BELT COVER |
| 4 | 363161 | 2 | BELT COVER CAP |
| 5 | 363165 | 3 | HAIRPIN COTTER |
| 6 | 363192 | 1 | LARGE YOKE |
| 7 | 363196 | 1 | CLEVIS PIN |
| 8 | 363194 | 1 | BLADE DRIVE LINKAGE |
| 9 | 109014 | 1 | SHOULDER BOLT |
| 10 | 363240 | 1 | SHOULDER SPACER |
| 11 | 363085 | 1 | CAM LINK |
| 12 | 363080 | 1 | RIGHT EYEBOLT |
| 13 | 109001 | 4 | 5/16" WHIZLOCK NUT |
| 14 | 363172 | 1 | TURNBUCKLE BODY |
| 15 | 363097 | 1 | TURNBUCKLE SPACER |
| 16 | 363082 | 1 | LEFT EYEBOLT |
| 17 | 363174 | 1 | EYEBOLT SPACER |
| 18A | 100356 | 2 | 5/8"-11 X 1 1/2" HEX BOLT |
| 18B | 100358 | 2 | 5/8"-11 X 2 1/4" HEX BOLT |
| 19 | 100298 | 1 | 3/8" X 2 1/2" BOLT |
| 20 | 109007 | 18 | 3/8" WHIZLOCK NUT |
| 21 | 363264 | 1 | ENGAGEMENT IDLER (WF) |
| 22 | 363249 | 1 | BELT SNUBBER |
| 24 | 108509 | 1 | "E" RING |
| 25 | 363089 | 2 | BRONZE BUSHING |
| 26 | 362071 | 1 | ENGAGEMENT ARM W/BUSHING |
| 27 | 111004 | 1 | 1/4" - 28 ZERK |
| 28 | 104256 | 14 | 5/16" NYLOC HEX NUT |
| 29 | 362024 | 1 | IDLER PIVOT ASSY. |
| 30 | 363210 | 1 | BLADE DRIVE BELT |
| 34 | 363291 | 2 | 18" BLADE |
| 35 | 363378 | 2 | RAISED PULLEY |
| 36 | 104257 | 1 | 3/8" NYLOC HEX NUT |
| 37 | 363090 | 2 | BELT SHIELD SUPPORT |
| 38 | 362018 | 2 | FRONT BELT GUIDE |
| 39 | 100306 | 2 | 3/8" X 5" HEX BOLT |
| 40 | 100309 | 6 | 7/16" 1" HEX BOLT |
| 41 | 105007 | 6 | 7/16" LOCK WASHER |
| 42 | 100274 | 8 | 5/16" X 1 1/4" HEX BOLT |
| 43 | 100273 | 8 | 5/16" X 1" HEX BOLT |
| 44 | 362007 | 1 | 36" FRONT DECK |
| 45 | 109014 | 1 | SHOULDER BOLT |
| 46 | 363304 | 1 | SQUARE BUMPER |
| 47 | 100276 | 3 | 5/16" X 1 3/4" HEX BOLT |
| 48 | 100292 | 6 | 3/8" X 1" HEX BOLT |

BELT DRIVE WALK BEHIND 36" FRONT DECK ASSEMBLY

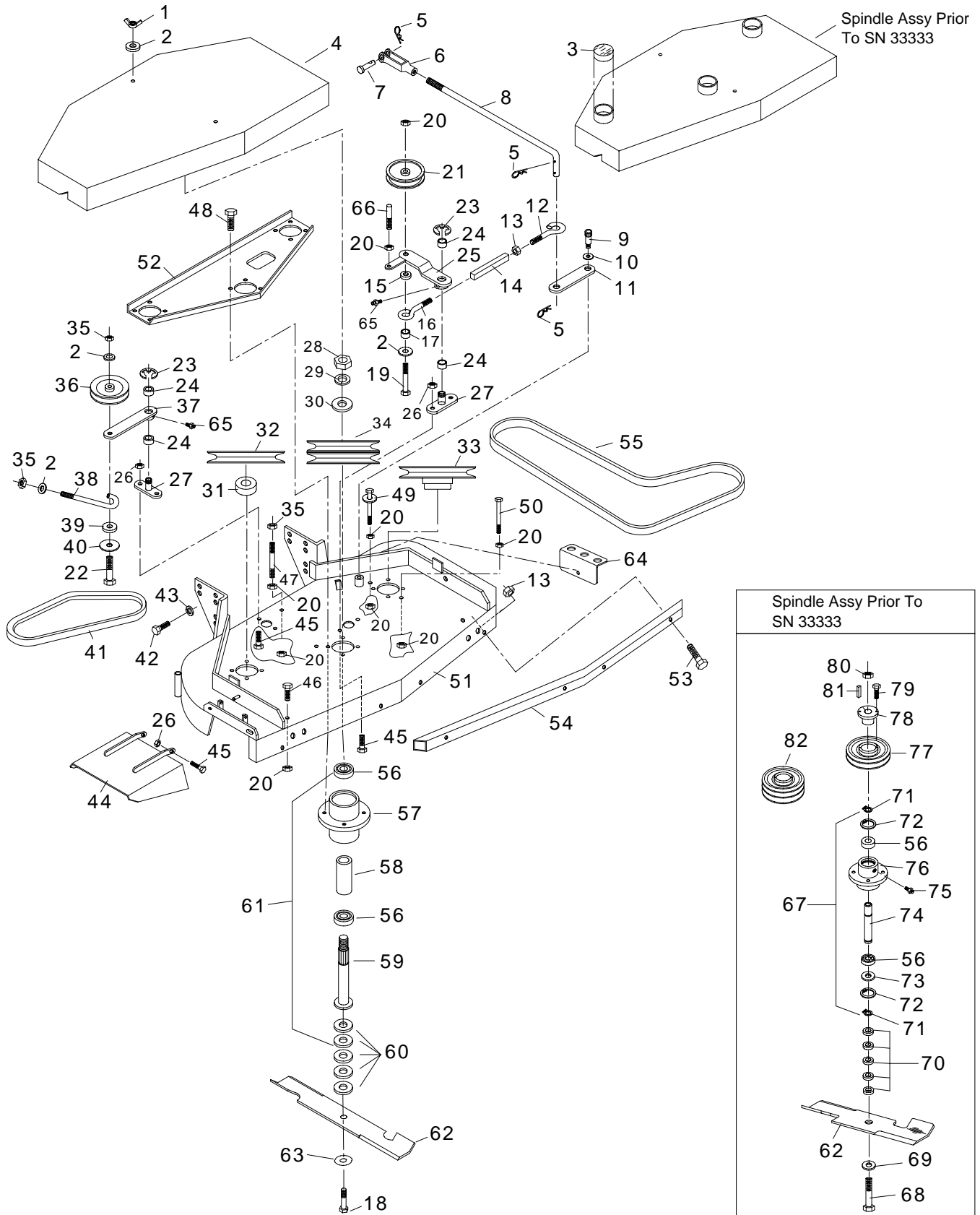
SEE NOTES

| # | PART NO. | QTY | DESCRIPTION | |
|----|----------|-----|-------------------------|---|
| 49 | 362012 | 1 | GRASS DEFLECTOR | |
| 50 | 363350 | 4 | SPINDLE BEARING | |
| 51 | 363380 | 2 | BLADE SPINDLE HOUSING | |
| 52 | 583113 | 2 | BEARING SPACER TUBE | |
| 53 | 583112 | 2 | SPINDLE SHAFT | |
| 56 | 363379 | 2 | SPINDLE ASSY COMPLETE | |
| 57 | 363382 | 10 | BLADE SPACER | |
| 58 | 363301 | 1 | 36" DECK CHANNEL | |
| 59 | 322019 | 1 | SPACER BRACKET | |
| 60 | 104511 | 2 | 3/4"-16 HEX NUT | |
| 61 | 105010 | 2 | 3/4" LOCK WASHER | |
| 62 | 105269 | 2 | 3/4" S.A.E. FLAT WASHER | |
| 63 | 583108 | 2 | 5/8" DISC SPRING WASHER | |
| 64 | 362044 | 2 | CUTTER HOUSING ASSY | 1 |
| 65 | 100353 | 2 | 5/8" X 9 1/2" HEX BOLT | 1 |
| 66 | 105268 | 2 | 5/8" STD. FLAT WASHER | 1 |
| 67 | 363170 | 10 | BLADE SPACER | 1 |
| 68 | 108507 | 4 | 1" RETAINING RING | 1 |
| 69 | 108506 | 4 | INT. SNAP RING | 1 |
| 70 | 363060 | 2 | DUST CAP | 1 |
| 71 | 363058 | 2 | SPINDLE SHAFT | 1 |
| 72 | 111002 | 2 | 5/16" DRIVE ZERK | 1 |
| 73 | 363053 | 2 | BLADE SPINDLE HOUSING | 1 |
| 74 | 363216 | 2 | TAPER LOCK SHEAVE | 1 |
| 75 | 363217 | 2 | TAPER LOCK HUB | 1 |
| 76 | 100252 | 4 | 1/4" X 3/4" HEX BOLT | 1 |
| 77 | 104510 | 2 | 5/8"-11 HEX NUT | 1 |
| 78 | 363242 | 2 | BLADE SPINDLE KEY | 1 |

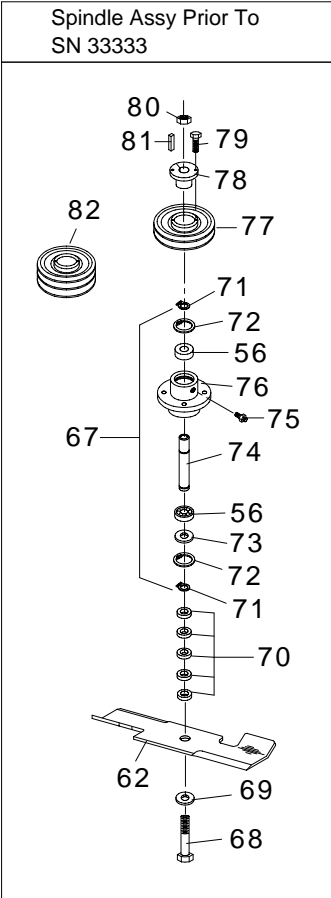
NOTES:

1: Item refers to units prior to serial #33333

48" FRONT DECK ASSEMBLY



Spindle Assy Prior To SN 33333



BELT DRIVE WALK BEHIND 48" FRONT DECK ASSEMBLY

SEE NOTES

| # | PART NO. | QTY | DESCRIPTION |
|-----|----------|-----|---------------------------|
| 1 | 103027 | 3 | 3/8" WING NUT |
| 2 | 105260 | 4 | 3/8" STD. FLAT WASHER |
| 3 | 362043 | 1 | BELT COVER |
| 4 | 363161 | 2 | BELT COVER CAP |
| 5 | 363165 | 3 | HAIRPIN COTTER |
| 6 | 363192 | 1 | LARGE YOKE |
| 7 | 363196 | 1 | CLEVIS PIN |
| 8 | 483028 | 1 | BLADE DRIVE LINKAGE |
| 9 | 109014 | 1 | SHOULDER BOLT |
| 10 | 363240 | 1 | SHOULDER SPACER |
| 11 | 363085 | 1 | CAM LINK |
| 12 | 363080 | 1 | RIGHT EYEBOLT |
| 13 | 109001 | 4 | 5/16" WHIZLOCK NUT |
| 14 | 363172 | 1 | TURNBUCKLE BODY |
| 15 | 363097 | 1 | TURNBUCKLE SPACER |
| 16 | 363082 | 1 | LEFT EYEBOLT |
| 17 | 363174 | 1 | EYEBOLT SPACER |
| 18A | 100356 | 2 | 5/8"-11 X 1 1/2" HEX BOLT |
| 18B | 100358 | 2 | 5/8"-11 X 2 1/4" HEX BOLT |
| 19 | 100298 | 1 | 3/8" X 2 1/2" BOLT |
| 20 | 109007 | 18 | 3/8" WHIZLOCK NUT |
| 21 | 363264 | 1 | ENGAGEMENT IDLER (WF) |
| 22 | 100297 | 1 | 3/8" x 2 1/4" HEX BOLT |
| 23 | 108509 | 1 | "E" RING |
| 24 | 363089 | 4 | BRONZE BUSHING |
| 25 | 362071 | 1 | ENGAGEMENT ARM W/BUSHING |
| 26 | 104256 | 15 | 5/16" NYLOC HEX NUT |
| 27 | 362024 | 2 | IDLER PIVOT ASSY. |
| 28 | 104511 | 3 | 3/4"-16 HEX NUT |
| 29 | 105010 | 3 | 3/4" LOCK WASHER |
| 30 | 105269 | 3 | 3/4" S.A.E. FLAT WASHER |
| 31 | 583110 | 1 | PULLEY SPACER |
| 32 | 583107 | 1 | PULLEY |
| 33 | 363378 | 1 | RAISED PULLEY |
| 34 | 363377 | 1 | DOUBLE PULLEY |
| 35 | 104257 | 3 | 3/8" NYLOC HEX NUT |
| 36 | 483025 | 1 | RIGHT HAND IDLER PULLEY |
| 37 | 482005 | 1 | IDLER ARM RIGHT |
| 38 | 483003 | 1 | BELT TENSION ROD |
| 39 | 483017 | 1 | RIGHT HAND IDLER SPACER |
| 40 | 483019 | 1 | RIGHT HAND IDLER WASHER |
| 41 | 483031 | 1 | RIGHT HAND BLADE BELT |
| 42 | 100309 | 6 | 7/16" X 1" HEX BOLT |
| 43 | 105007 | 6 | 7/16" LOCK WASHER |
| 44 | 482017 | 1 | GRASS DEFLECTOR |

BELT DRIVE WALK BEHIND 48" FRONT DECK ASSEMBLY

SEE NOTES

| # | PART NO. | QTY | DESCRIPTION | |
|----|----------|-----|-------------------------|---|
| 45 | 100273 | 8 | 5/16" X 1" HEX BOLT | |
| 46 | 100292 | 8 | 3/8" X 1" HEX BOLT | |
| 47 | 363090 | 1 | BE.T SHIELD SUPPORT | |
| 48 | 100274 | 12 | 5/16" X 1 1/4" HEX BOLT | |
| 49 | 362018 | 1 | FRONT BELT GUIDE | |
| 50 | 100306 | 3 | 3/8" X 5" HEX BOLT | |
| 51 | 482019 | 1 | 48" FRONT DECK | |
| 52 | 482015 | 1 | 48" DECK CHANNEL | |
| 53 | 100276 | 4 | 5/16" X 1 3/4" HEX BOLT | |
| 54 | 483043 | 1 | SQUARE BUMPER | |
| 55 | 483030 | 1 | BLADE DRIVE BELT | |
| 56 | 363350 | 6 | SPINDLE BEARING | |
| 57 | 363380 | 3 | BLADE SPINDLE HOUSING | |
| 58 | 583113 | 3 | BEARING SPACER TUBE | |
| 59 | 583112 | 3 | SPINDLE SHAFT | |
| 60 | 363382 | 15 | BLADE SPACER | |
| 61 | 363379 | 3 | CUTTER HOUSING ASSY | |
| 62 | 483035 | 3 | 16" BLADE | |
| 63 | 583108 | 3 | 5/8" DISC SPRING WASHER | |
| 64 | 322019 | 1 | SPACER BRACKET | |
| 65 | 322019 | 2 | 1/4" ZERK | |
| 66 | 363249 | 1 | BELT SNUBBER | |
| 67 | 362044 | 3 | CUTTER HOUSING ASSY | 1 |
| 68 | 100353 | 3 | 5/8" X 9 1/2" HEX BOLT | 1 |
| 69 | 105268 | 3 | 5/8" STD. FLAT WASHER | 1 |
| 70 | 363170 | 15 | BLADE SPACER | 1 |
| 71 | 108507 | 6 | 1" RETAINING RING | 1 |
| 72 | 108506 | 6 | INT. SNAP RING | 1 |
| 73 | 363060 | 3 | DUST CAP | 1 |
| 74 | 363058 | 3 | SPINDLE SHAFT | 1 |
| 75 | 111002 | 3 | 5/16" DRIVE ZERK | 1 |
| 76 | 363053 | 3 | BLADE SPINDLE HOUSING | 1 |
| 77 | 363216 | 2 | TAPER LOCK SHEAVE | 1 |
| 78 | 363217 | 3 | TAPER LOCK HUB | 1 |
| 79 | 100252 | 6 | 1/4" X 3/4" HEX BOLT | 1 |
| 80 | 104510 | 3 | 5/8"-11 HEX NUT | 1 |
| 81 | 363242 | 3 | BLADE SPINDLE KEY | 1 |
| 82 | 483026 | 1 | TAPER LOCK DBLE SHEAVE | 1 |

NOTES:

1: Item refers to units prior to serial #33333

52" FRONT DECK ASSEMBLY



BELT DRIVE WALK BEHIND 52" FRONT DECK ASSEMBLY

SEE NOTES

| # | PART NO. | QTY | DESCRIPTION |
|----|----------|-----|--------------------------|
| 1 | 103027 | 4 | 3/8" WING NUT |
| 2 | 105260 | 6 | 3/8" STD. FLAT WASHER |
| 3 | 363161 | 3 | BELT COVER CAP |
| 4 | 522138 | 1 | BELT SHIELD ASSY |
| 5 | 363165 | 3 | HAIRPIN COTTER |
| 6 | 363192 | 1 | LARGE YOKE |
| 7 | 363196 | 1 | CLEVIS PIN |
| 8 | 363194 | 1 | BLADE DRIVE LINKAGE |
| 9 | 363240 | 1 | SHOULDER SPACER |
| 10 | 603023 | 1 | ROLLER |
| 11 | 363085 | 1 | CAM LINK |
| 12 | 363080 | 1 | RIGHT EYEBOLT |
| 13 | 109001 | 5 | 5/16" WHIZLOCK NUT |
| 14 | 363172 | 1 | TURNBUCKLE BODY |
| 15 | 363097 | 1 | TURNBUCKLE SPACER |
| 16 | 363082 | 1 | LEFT EYEBOLT |
| 17 | 363174 | 1 | EYEBOLT SPACER |
| 18 | 100352 | 1 | 5/8" X 9" HEX BOLT |
| 19 | 100298 | 1 | 3/8" X 2 1/2" HEX BOLT |
| 20 | 109007 | 12 | 3/8" WHIZLOCK NUT |
| 21 | 363264 | 1 | ENGAGEMENT IDLER (WF) |
| 22 | 100297 | 1 | 3/8" X 2 1/4" HEX BOLT |
| 23 | 108509 | 1 | "E" RING |
| 24 | 363089 | 4 | BRONZE BUSHING |
| 25 | 362071 | 1 | ENGAGEMENT ARM W/BUSHING |
| 26 | 104256 | 15 | 5/16" NYLOC HEX NUT |
| 27 | 362024 | 2 | IDLER PIVOT ASSY. |
| 28 | 104511 | 3 | 3/4" HEX NUT |
| 29 | 105010 | 3 | 3/4" LOCK WASHER |
| 30 | 105269 | 3 | 3/4" S.A.E. FLAT WASHER |
| 31 | 583110 | 1 | PULLEY SPACER |
| 32 | 583107 | 1 | PULLEY |
| 33 | 363378 | 1 | RAISED PULLEY |
| 34 | 363377 | 1 | DOUBLE PULLEY |
| 35 | 104257 | 3 | 3/8" NYLOC HEX NUT |
| 36 | 483025 | 1 | RIGHT HAND IDLER PULLEY |
| 37 | 482005 | 1 | IDLER ARM RIGHT |
| 38 | 483003 | 1 | BELT TENSION ROD |
| 39 | 483017 | 1 | RIGHT HAND IDLER SPACER |
| 40 | 483019 | 1 | RIGHT HAND IDLER WASHER |
| 41 | 523453 | 1 | RIGHT HAND BLADE BELT |
| 42 | 100309 | 6 | 7/16" X 1" HEX BOLT |
| 43 | 105007 | 6 | 7/16" LOCK WASHER |
| 44 | 482017 | 1 | GRASS DEFLECTOR |
| 45 | 100273 | 8 | 5/16" X 1" HEX BOLT |

BELT DRIVE WALK BEHIND 52" FRONT DECK ASSEMBLY

SEE NOTES

| # | PART NO. | QTY | DESCRIPTION | |
|-----|----------|-----|---------------------------|---|
| 46 | 100292 | 8 | 3/8" X 1" HEX BOLT | |
| 47 | 363090 | 1 | BELT SHIELD SUPPORT | |
| 48 | 100274 | 8 | 5/16" X 1 1/4" HEX BOLT | |
| 49 | 523464 | 1 | RIGHT HAND BUMPER | |
| 50 | 100306 | 4 | 3/8" X 5" HEX BOLT | |
| 51 | 522140 | 1 | 52" FRONT DECK | |
| 52 | 522146 | 1 | DECK CHANNEL | |
| 53 | 100276 | 4 | 5/16" X 1 3/4" HEX BOLT | |
| 54 | 523464 | 1 | LEFT HAND BUMPER | |
| 55 | 523452 | 1 | BLADE DRIVE BELT | |
| 56 | 363350 | 6 | SPINDLE BEARING | |
| 57 | 363380 | 3 | BLADE SPINDLE HOUSING | |
| 58 | 583113 | 3 | BEARING SPACER TUBE | |
| 59 | 583112 | 3 | SPINDLE SHAFT | |
| 60 | 363382 | 15 | BLADE SPACER | |
| 61 | 363379 | 3 | CUTTER HOUSING ASSY | |
| 62 | 363291 | 3 | 18" BLADE | |
| 63 | 583108 | 3 | 5/8" DISC SPRING WASHER | |
| 64A | 100356 | 3 | 5/8"-11 X 1 1/2" HEX BOLT | |
| 64B | 100358 | 3 | 5/8"-11 X 2 1/4" HEX BOLT | |
| 65 | 323040 | 1 | SPACER BRACKET | |
| 66 | 111004 | 2 | 1/4" ZERK | |
| 67 | 363249 | 1 | BELT SNUBBER | 1 |
| 68 | 105268 | 5 | 5/8" FLAT WASHER | 1 |
| 69 | 104269 | 1 | 5/8" NYLOC NUT | 1 |
| 70 | 109014 | 1 | SHOULDER BOLT | 1 |
| 71 | 362044 | 3 | CUTTER HOUSING ASSY | 1 |
| 72 | 100353 | 3 | 5/8" X 9 1/2" HEX BOLT | 1 |
| 73 | 105268 | 3 | 5/8" STD. FLAT WASHER | 1 |
| 74 | 363170 | 15 | BLADE SPACER | 1 |
| 75 | 108507 | 6 | 1" RETAINING RING | 1 |
| 76 | 108506 | 6 | INT. SNAP RING | 1 |
| 77 | 363060 | 3 | DUST CAP | 1 |
| 78 | 363058 | 3 | SPINDLE SHAFT | 1 |
| 79 | 111002 | 3 | 5/16" DRIVE ZERK | 1 |
| 80 | 363053 | 3 | BLADE SPINDLE HOUSING | 1 |
| 81 | 363216 | 2 | TAPER LOCK SHEAVE | 1 |
| 82 | 363217 | 3 | TAPER LOCK HUB | 1 |
| 83 | 100252 | 6 | 1/4" X 3/4" HEX BOLT | 1 |
| 84 | 104510 | 3 | 5/8"-11 HEX NUT | 1 |
| 85 | 363242 | 3 | BLADE SPINDLE KEY | 1 |
| 86 | 483026 | 1 | TAPER LOCK DBLE SHEAVE | 1 |

NOTES:

1: Item refers to units prior to serial #33333

60" FRONT DECK ASSEMBLY



BELT DRIVE WALK BEHIND 60" FRONT DECK ASSEMBLY

SEE NOTES

| # | PART NO. | QTY | DESCRIPTION |
|-----|----------|-----|---------------------------|
| 1 | 103027 | 4 | 3/8" WING NUT |
| 2 | 105260 | 6 | 3/8" STD. FLAT WASHER |
| 3 | 363361 | 3 | BELT COVER CAP |
| 4 | 602008 | 1 | BELT COVER |
| 5 | 363165 | 3 | HAIRPIN COTTER |
| 6 | 363192 | 1 | LARGE YOKE |
| 7 | 363196 | 1 | CLEVIS PIN |
| 8 | 63014 | 1 | BLADE DRIVE LINKAGE |
| 9 | 363240 | 1 | SHOULDER SPACER |
| 10 | 603023 | 1 | ROLLER |
| 11 | 363085 | 1 | CAM LINK |
| 12 | 363080 | 1 | RIGHT EYEBOLT |
| 13 | 109001 | 5 | 5/16" WHIZLOCK NUT |
| 14 | 363172 | 1 | TURNBUCKLE BODY |
| 15 | 363097 | 1 | TURNBUCKLE SPACER |
| 16 | 363082 | 1 | LEFT EYEBOLT |
| 17 | 363174 | 1 | EYEBOLT SPACER |
| 18A | 100356 | 3 | 5/8"-11 X 1 1/2" HEX BOLT |
| 18B | 100358 | 3 | 5/8"-11 X 2 1/4" HEX BOLT |
| 19 | 100298 | 1 | 3/8" X 2 1/2" BOLT |
| 20 | 109007 | 12 | 3/8" WHIZLOCK NUT |
| 21 | 363264 | 1 | ENGAGEMENT IDLER (WF) |
| 22 | 100297 | 1 | 3/8" x 2 1/4" HEX BOLT |
| 23 | 108509 | 1 | "E" RING |
| 24 | 363089 | 4 | BRONZE BUSHING |
| 25 | 362071 | 1 | ENGAGEMENT ARM W/BUSHING |
| 26 | 104256 | 15 | 5/16" NYLOC HEX NUT |
| 27 | 362024 | 2 | IDLER PIVOT ASSY. |
| 28 | 104511 | 3 | 3/4"-16 HEX NUT |
| 29 | 105010 | 3 | 3/4" LOCK WASHER |
| 30 | 105269 | 3 | 3/4" S.A.E. FLAT WASHER |
| 31 | 583110 | 1 | PULLEY SPACER |
| 32 | 583107 | 1 | PULLEY |
| 33 | 363378 | 1 | RAISED PULLEY |
| 34 | 363377 | 1 | DOUBLE PULLEY |
| 35 | 104257 | 3 | 3/8" NYLOC HEX NUT |
| 36 | 483025 | 1 | RIGHT HAND IDLER PULLEY |
| 37 | 482005 | 1 | IDLER ARM RIGHT |
| 38 | 483003 | 1 | BELT TENSION ROD |
| 39 | 483017 | 1 | RIGHT HAND IDLER SPACER |
| 40 | 483019 | 1 | RIGHT HAND IDLER WASHER |
| 41 | 603016 | 1 | RIGHT HAND BLADE BELT |

BELT DRIVE WALK BEHIND 60" FRONT DECK ASSEMBLY

SEE NOTES

| # | PART NO. | QTY | DESCRIPTION | |
|----|----------|-----|-------------------------|---|
| 42 | 100309 | 6 | 7/16" X 1" HEX BOLT | |
| 43 | 105007 | 6 | 7/16" LOCK WASHER | |
| 44 | 482017 | 1 | GRASS DEFLECTOR | |
| 45 | 100273 | 8 | 5/16" X 1" HEX BOLT | |
| 46 | 100292 | 6 | 3/8" X 1" HEX BOLT | |
| 47 | 363090 | 1 | BELT SHIELD SUPPORT | |
| 48 | 100274 | 12 | 5/16" X 1 1/4" HEX BOLT | |
| 49 | 603038 | 1 | RIGHT HAND BUMPER | |
| 50 | 100306 | 3 | 3/8" X 5" HEX BOLT | |
| 51 | 602011 | 1 | 60" FRONT DECK | |
| 52 | 602010 | 1 | 60" DECK CHANNEL | |
| 53 | 100276 | 4 | 5/16" X 1 3/4" HEX BOLT | |
| 54 | 603040 | 1 | LEFT HAND BUMPER | |
| 55 | 603015 | 1 | BLADE DRIVE BELT | |
| 56 | 363350 | 6 | SPINDLE BEARING | |
| 57 | 363380 | 3 | BLADE SPINDLE HOUSING | |
| 58 | 583113 | 3 | BEARING SPACER TUBE | |
| 59 | 583112 | 3 | SPINDLE SHAFT | |
| 60 | 363382 | 15 | BLADE SPACER | |
| 61 | 363379 | 3 | CUTTER HOUSING ASSY | |
| 62 | 603035 | 3 | 20" BLADE | |
| 63 | 583108 | 3 | 5/8" DISC SPRING WASHER | |
| 64 | 100352 | 1 | 5/8" X 9" HEX BOLT | |
| 65 | 322019 | 1 | SPACER BRACKET | |
| 66 | 111004 | 2 | 1/4" ZERK | |
| 67 | 363249 | 1 | BELT SNUBBER | |
| 68 | 105268 | 5 | 5/8" FLAT WASHER | |
| 69 | 104261 | 1 | 5/8" NYLOCK NUT | |
| 70 | 109014 | 1 | SHOULDER BOLT | |
| 71 | 362044 | 3 | CUTTER HOUSING ASSY | 1 |
| 72 | 100353 | 3 | 5/8" X 9 1/2" HEX BOLT | 1 |
| 73 | 105268 | 3 | 5/8" STD. FLAT WASHER | 1 |
| 74 | 363170 | 15 | BLADE SPACER | 1 |
| 75 | 108507 | 6 | 1" RETAINING RING | 1 |
| 76 | 108506 | 6 | INT. SNAP RING | 1 |
| 77 | 363060 | 3 | DUST CAP | 1 |
| 78 | 363058 | 3 | SPINDLE SHAFT | 1 |
| 79 | 111002 | 3 | 5/16" DRIVE ZERK | 1 |
| 80 | 363053 | 3 | SPINDLE HOUSING | 1 |
| 81 | 363216 | 2 | TAPER LOCK SHEAVE | 1 |
| 82 | 363217 | 3 | TAPER LOCK HUB | 1 |
| 83 | 100252 | 6 | 1/4" X 3/4" HEX BOLT | 1 |

BELT DRIVE WALK BEHIND 60" FRONT DECK ASSEMBLY

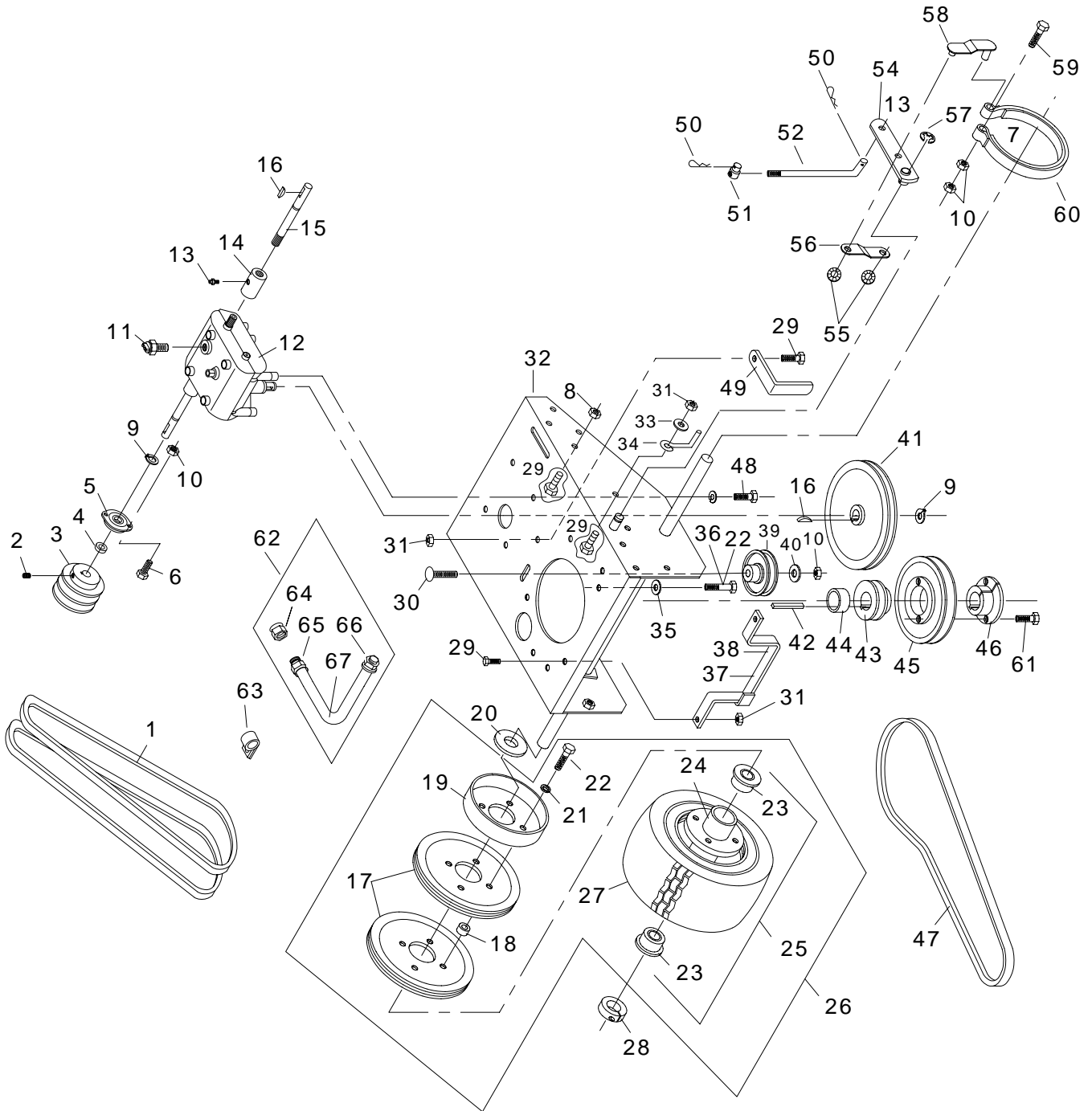
SEE NOTES

| # | PART NO. | QTY | DESCRIPTION | |
|----|----------|-----|------------------------|---|
| 84 | 104510 | 3 | 5/8"-11 HEX NUT | 1 |
| 85 | 363242 | 3 | BLADE SPINDLE KEY | 1 |
| 86 | 483026 | 1 | TAPER LOCK DBLE SHEAVE | 1 |

NOTES:

1: Item refers to units prior to serial #33333

REAR DECK ASSEMBLY



BELT DRIVE WALK BEHIND REAR DECK ASSEMBLY

SEE NOTES

| # | PART NO. | QTY | DESCRIPTION | |
|-----|----------|-----|----------------------------------|---|
| 1 | 363312 | 2 | MATCH SET DRIVE BELT | |
| 2 | 103293 | 2 | 5/16"-18 X 3/8" SET SCREW | |
| 3 | 363137 | 2 | 2-GROOVE SHEAVE | |
| 4 | 363087 | 2 | TRANSMISSION SHAFT SPACER | |
| 5 | 363292 | 2 | 2-BOLT FLANGE BEARING | |
| 6 | 100292 | 4 | 3/8" X 1" HEX BOLT | |
| 8 | 109001 | 2 | 5/16" WHIZLOCK NUT | |
| 9 | 108508 | 3 | SNAP RING | |
| 10 | 104257 | 5 | 3/8" NYLOC HEX NUT | |
| 11 | 363207 | 1 | TRANSMISSION SWITCH | |
| 12A | 363365 | 1 | TRANSMISSION 9-SPLINE | |
| 12B | 363180 | 1 | TRANSMISSION 32-SPLINE | 1 |
| 13 | 111004 | 3 | 1/4"-28 GREASE ZERK | |
| 14A | 362086 | 2 | COUPLER W/ZERK 9-SPLINE | |
| 14B | 362063 | 2 | COUPLER W/ZERK 32-SPLINE | 1 |
| 15A | 363367 | 2 | SHAFT EXTENSION 9-SPLINE | |
| 15B | 363051 | 2 | SHAFT EXTENSION 32-SPLINE | 1 |
| 16 | 107009 | 3 | #9 WOODRUFF KEY | |
| 17 | 363191 | 4 | WHEEL PULLEY | |
| 18 | 363113 | 8 | WHEEL PULLEY SPACER | |
| 19 | 363190 | 2 | BRAKE DRUM | |
| 20 | 363121 | 2 | WHEEL WASHER | |
| 21 | 105005 | 8 | 5/16" MED WASHER | |
| 22 | 100275 | 12 | 5/16" X 1 1/2" HEX BOLT (BRIGGS) | |
| 23 | 363187 | 4 | WHEEL BEARING | |
| 24A | 363189 | 2 | RIM W/VALVE STEM | |
| 24B | 323026 | 2 | RIM W/VALVE STEM (32") | |
| 25 | 362055 | 2 | WHEEL AND TIRE | |
| 26A | 362048 | 2 | DRIVE WHEEL COMPLETE | |
| 26B | 323027 | 2 | DRIVE WHEEL COMPLETE (32" ONLY) | |
| 27A | 363186 | 2 | TIRE 13 X 6.5 X 6 | |
| 27B | 323025 | 2 | TIRE 13 X 5.00 X 6 (32" ONLY) | |
| 28 | 363145 | 2 | 1" CLAMP COLLAR | |
| 29 | 100273 | 3 | 5/16" X 1" HEX BOLT | |
| 30 | 107501 | 1 | 3/8" X 2" CARRIAGE BOLT | |
| 31 | 104256 | 3 | 5/16" NYLOC HEX NUT | |
| 32A | 362010 | 1 | REAR DECK ASSY | |
| 32B | 322012 | 1 | REAR DECK ASSY (32" ONLY) | |
| 33 | 105258 | 2 | 5/16" STD FLAT WASHER | |
| 34 | 363075 | 2 | ROUND BELT GUIDE | |
| 35 | 363226 | 4 | DISC SPRING WASHER | |
| 36 | 109018 | 4 | 8MM-1.25 x 25MM HEX BOLT (KAW) | |
| 37 | 362031 | 1 | BELT GUIDE BRKT (32" AND 36") | |
| 38A | 482003 | 1 | BELT GUIDE BRKT (48" AND 60") | |
| 38B | 383003 | 1 | BELT GUIDE BRKT (52") | |

BELT DRIVE WALK BEHIND REAR DECK ASSEMBLY

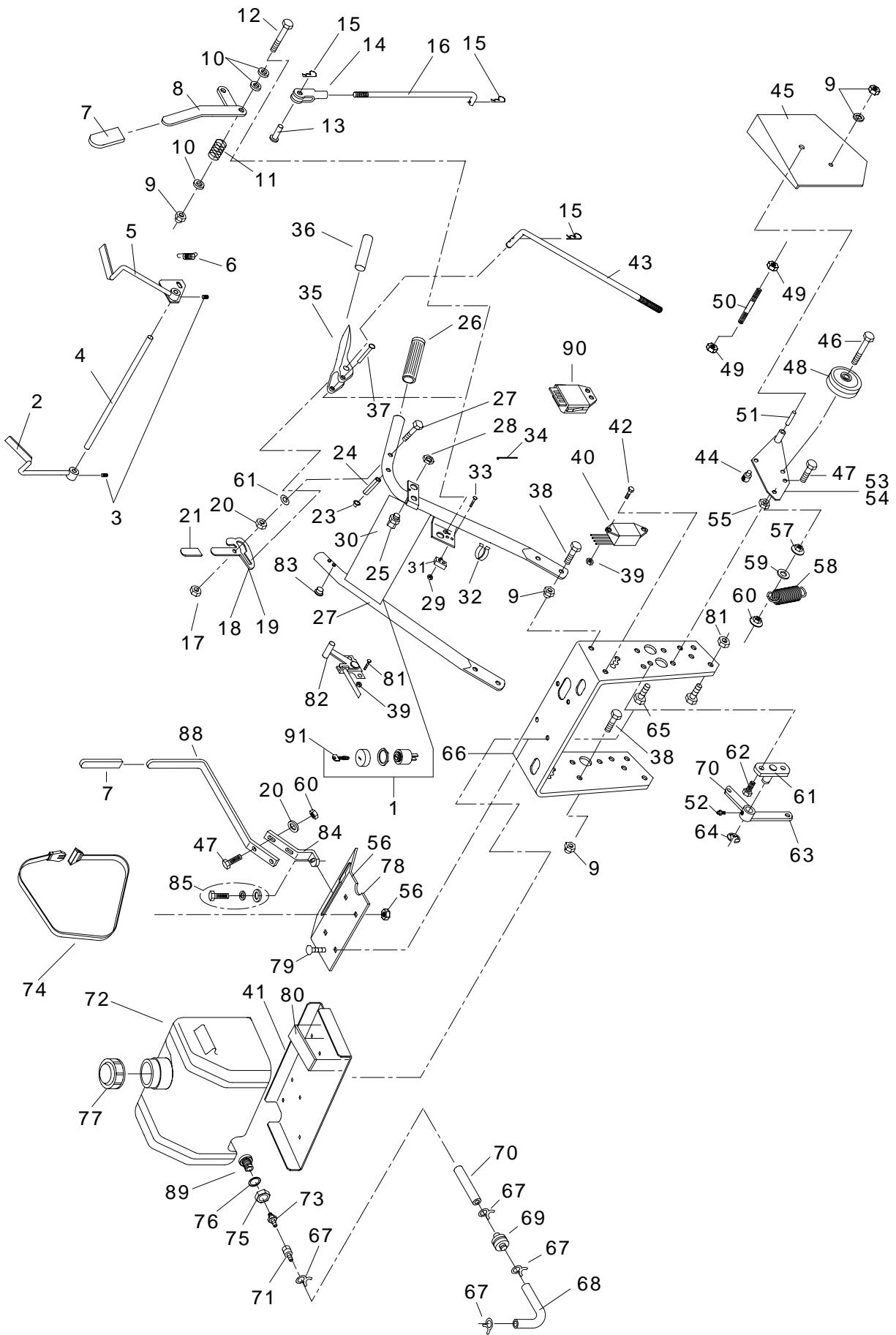
SEE NOTES

| # | PART NO. | QTY | DESCRIPTION |
|-----|----------|-----|-----------------------------------|
| 39 | 363169 | 1 | SMALL IDLER |
| 40 | 105260 | 1 | 3/8" STD FLAT WASHER |
| 41 | 363220 | 1 | TRANSMISSION SHEAVE |
| 42 | 107262 | 1 | KEY 1/4" SQ. X 2 1/2" |
| 43 | 363119 | 1 | PULLEY(TO TRANSMISSION) |
| 44 | 363124 | 1 | SPACER |
| 45A | 363216 | 1 | TAPER LOCK SHEAVE |
| 45B | 823289 | 1 | TAPER LOCK SHEAVE (52") |
| 46 | 363215 | 1 | 1" TAPER LOCK HUB |
| 47 | 363212 | 1 | TRANSMISSION BELT |
| 48 | 100271 | 4 | 5/16" X 3/4" HEX BOLT |
| 49 | 523320 | 1 | FLAT BELT GUIDE |
| 50 | 363165 | 4 | #2 HAIR PIN COTTER |
| 51 | 363029 | 4 | .312 ROD SWIVEL |
| 52 | 363142 | 1 | BRAKE ROD |
| 54A | 362041 | 1 | BRAKE ARM RIGHT |
| 54B | 362042 | 1 | BRAKE ARM LEFT |
| 55 | 363177 | 4 | 3/8" PUSH NUT |
| 56 | 363135 | 2 | BRAKE CONNECTOR |
| 57 | 108500 | 2 | 5/8" E-RING |
| 58 | 362026 | 2 | BRAKE CONNECTOR |
| 59 | 100296 | 2 | 3/8" X 2" HEX BOLT |
| 60 | 363176 | 2 | BRAKE BAND |
| 61 | 100252 | 8 | 1/4" X 3/4" HEX BOLT |
| 62 | 602006 | 1 | OIL DRAIN ASSY (16HP BRIGGS ONLY) |
| 63 | 603031 | 1 | DRAIN CLAMP (16HP BRIGGS ONLY) |
| 64 | 603030 | 1 | DRAIN CAP (16HP BRIGGS ONLY) |
| 65 | 603029 | 1 | DRAIN FITTING (16HP BRIGGS ONLY) |
| 66 | 603026 | 1 | ENGINE FITTING (16HP BRIGGS ONLY) |
| 67 | 603025 | 1 | DRAIN LINE (16HP BRIGGS ONLY) |

NOTES:

1: Item refers to units prior to serial #27850

HANDLE ASSEMBLY



BELT DRIVE WALK BEHIND HANDLE ASSEMBLY

SEE NOTES

| # | PART NO. | QTY | DESCRIPTION | |
|-----|----------|-----|------------------------------|---|
| 1 | 603060 | 1 | RUN/STOP SWITCH-17HP KAW | |
| 2 | 362051 | 1 | RIGHT HAND O.P.C. LEVER | |
| 3 | 103292 | 2 | 1/4"-28 X 1/4" SET SCREW | |
| 4 | 363157 | 1 | CONNECTING ROD | |
| 5 | 362053 | 1 | LEFT HAND O.P.C. LEVER | |
| 6 | 363155 | 1 | O.P.C. SPRING | |
| 7 | 363022 | 2 | ADJUSTMENT LEVER GRIP | |
| 8 | 362058 | 1 | ENGAGEMENT LEVER W/GRIP | |
| 9 | 104257 | 1 | 3/8" NYLOC HEX NUT | |
| 10 | 105260 | 3 | 3/8" STD FLAT WASHER | |
| 11 | 363024 | 1 | COMPRESSION SPRING | |
| 12 | 100296 | 1 | 3/8" X 2" HEX BOLT | |
| 13 | 363144 | 1 | CLEVIS PIN-SMALL YOKE | |
| 14 | 363152 | 1 | YOKE-SMALL | |
| 15 | 363165 | 3 | HAIRPIN COTTER | |
| 16 | 363150 | 1 | UPPER CRANK LINKAGE | |
| 17 | 103011 | 2 | 1/4" HEX TORQUE NUT | |
| 18 | 363284 | 1 | LEFT THUMB LATCH PKG. | |
| 19 | 363282 | 1 | RIGHT THUMB LATCH PKG. | |
| 20 | 105258 | 2 | 5/16" FLAT WASHER | |
| 21 | 363069 | 2 | LATCH GRIP | |
| 23 | 363219 | 2 | 3/16" PUSH NUT | |
| 24 | 106340 | 2 | 5/16" X 1" ROLL PIN | |
| 25 | 363208 | 1 | O.P.C. SWITCH | |
| 26 | 363218 | 2 | HANDLE GRIP | |
| 27 | 100258 | 2 | 1/4" X 2" HEX BOLT | |
| 28 | 363234 | 1 | NUT-O.P.C. SWITCH | |
| 29 | 104520 | 2 | #5-40 HEX NUT | |
| 30A | 362085 | 1 | HANDLE/ W CONSOLE | |
| 30B | 362049 | 1 | REPLACE W/362085 & 363352 | 1 |
| 31 | 363164 | 1 | BLADE SWITCH | |
| 32 | 363221 | 2 | CABLE CLIP | |
| 33 | 101252 | 2 | #5-40 X 1" MACHINE SCREW | |
| 34 | 363222 | 7 | PLASTIC TIE | |
| 35 | 362059 | 2 | DRIVE LEVER W/GRIP | |
| 36 | 363067 | 2 | DRIVE LEVER GRIP | |
| 37 | 363073 | 2 | TRACTION LEVER PIN | |
| 38 | 100292 | 8 | 3/8" X 1" HEX BOLT | |
| 39 | 104252 | 1 | #10-24 NYLOC HEX NUT | |
| 40A | 363387 | 1 | WIRE HARNESS-(14HP KAW) | |
| 40B | 363388 | 1 | WIRE HARNESS-(12 HP BRIGGS) | |
| 40C | 363237 | 1 | WIRING HARNESS-(12HP BRIGGS) | 1 |
| -- | ----- | - | (REPLACE W/363388 & 363372) | |
| 40D | 363238 | 1 | WIRING HARNESS-(14HP KAW) | 1 |
| -- | ----- | - | (REPLACE W/363387 & 363372) | |

BELT DRIVE WALK BEHIND HANDLE ASSEMBLY

SEE NOTES

| # | PART NO. | QTY | DESCRIPTION |
|-----|----------|-----|-----------------------------|
| 40E | 363270 | 1 | WIRING HARNESS-KOHLER |
| 40F | 362074 | 1 | WIRING HARNESS-HONDA |
| 40H | 603027 | 1 | WIRING HARNESS-VANGUARD |
| 40i | 363371 | 1 | WIRING HARNESS-17HP KAW |
| 40J | 363374 | 1 | WIRING HARNESS-TECUMSEH |
| 41 | 363360 | 1 | TANK SADDLE |
| 42 | 101039 | 1 | #10-24 X 5/8" PANHEAD SCREW |
| 43 | 363198 | 2 | DRIVE ROD |
| 44 | 363029 | 4 | .312 SWIVEL |
| 45A | 363288 | 1 | LEFT HAND FENDER |
| 45B | 363286 | 1 | RIGHT HAND FENDER |
| 46 | 100331 | 2 | 1/2" X 2 1/2" HEX BOLT |
| 47 | 100274 | 4 | 5/16" X 1 1/4" HEX BOLT |
| 48 | 363168 | 2 | DRIVE IDLER |
| 49 | 109007 | 4 | 3/8" WHIZLOCK NUT |
| 50 | 363093 | 2 | SAFETY SHIELD SUPPORT |
| 51 | 363105 | 2 | IDLER BUSHING |
| 52 | 111004 | 2 | 1/4" -28 GREASE ZERK |
| 53 | 362035 | 1 | LEFT IDLER ARM (SHOWN) |
| 54 | 362037 | 1 | RIGHT IDLER ARM |
| 55 | 104259 | 2 | 1/2" NYLOC HEX NUT |
| 56 | 100502 | 6 | 1/4" NYLOC HEX NUT |
| 57 | 109001 | 2 | 5/16" WHIZLOCK NUT |
| 58 | 363117 | 2 | TENSION SPRING |
| 59 | 105257 | 4 | 5/16" S.A.E. FLAT WASHER |
| 60 | 104256 | 2 | 5/16" NYLOC HEX NUT |
| 61 | 362033 | 1 | BELL CRANK MOUNT ASSY |
| 62 | 100004 | 2 | 1/4" X 1" HEX BOLT |
| 63 | 362040 | 1 | BELL CRANK W/ZERK |
| 64 | 108500 | 1 | 5/8" E-RING |
| 65 | 100303 | 2 | 3/8" X 4" HEX BOLT |
| 66 | 363148 | 1 | LOWER HANDLE |
| 67 | 363098 | 4 | GAS LINE CLAMP |
| 68 | 363228 | 1 | SHORT FUEL LINE HOSE |
| 69 | 363032 | 1 | FUEL FILTER |
| 70A | 603032 | 1 | FUEL LINE |
| 70B | 363099 | 1 | FUEL LINE (V-TWINS) |
| 71 | 363364 | 1 | FUEL COUPLER-FEMALE |
| 72 | 362087 | 1 | MODULAR FUEL TANK |
| 73 | 363353 | 1 | FUEL COUPLER-MALE |
| 74 | 363368 | 2 | FUEL TANK BELT |
| 75 | 104761 | 1 | LEFT HAND NUT |
| 76 | 363370 | 1 | O-RING |
| 77A | 583194 | 1 | FUEL CAP |

BELT DRIVE WALK BEHIND HANDLE ASSEMBLY

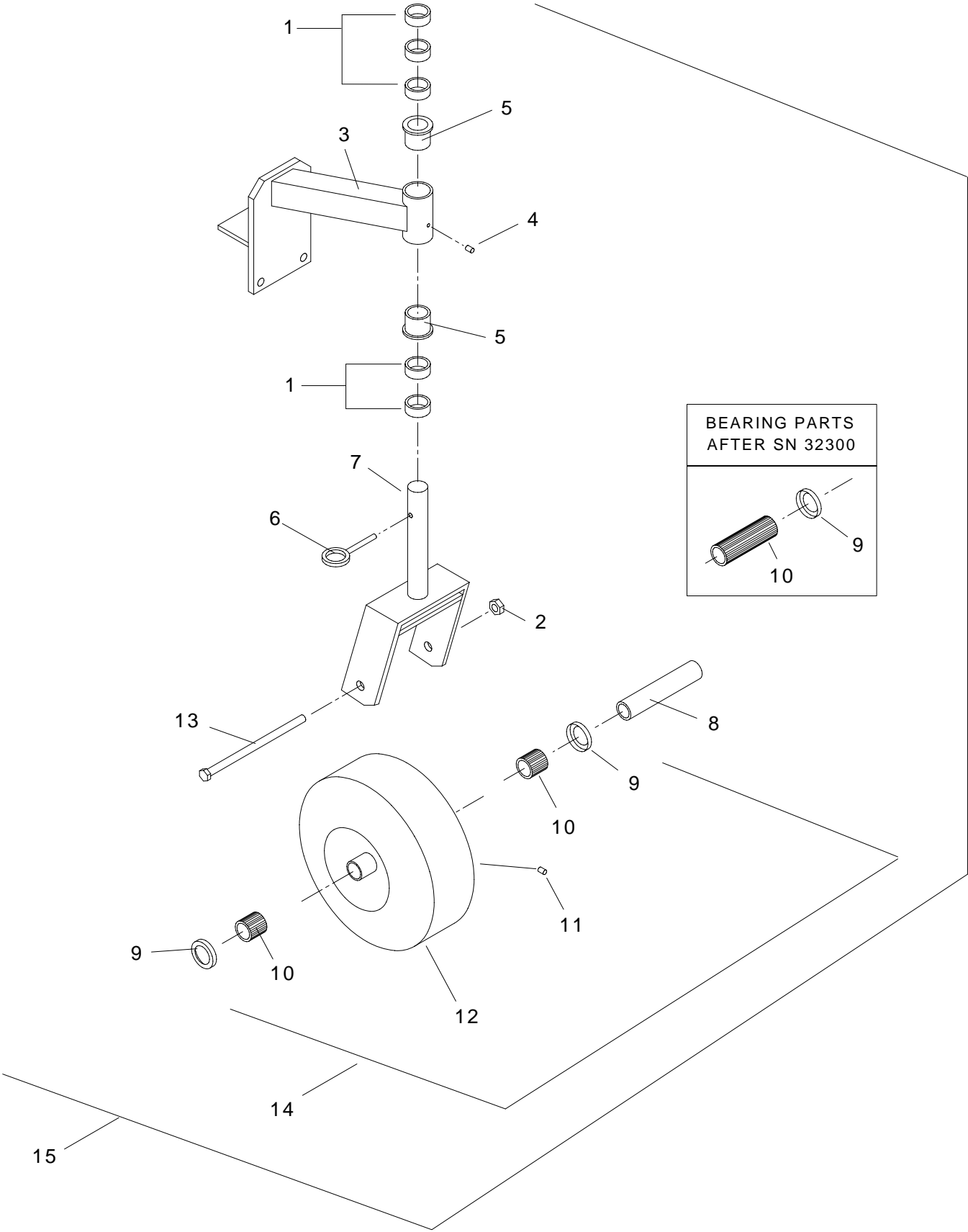
SEE NOTES

| # | PART NO. | QTY | DESCRIPTION | |
|------|----------|-----|--------------------------------|---|
| 77B | 363257 | 1 | FUEL CAP W/GASKET | 1 |
| 78 | 363224 | 1 | TANK SADDLE | |
| 79 | 107502 | 4 | 1/4" X 3/4" CARRIAGE BOLT | |
| 80 | 363201 | 2 | FUEL TANK PAD | |
| 81 | 101295 | 3 | #10 X 1 1/2" SLTD. MACH. SCREW | |
| 82A | 363352 | 1 | THROTTLE CONTROL | |
| 82B | 363203 | 1 | THROTTLE CONTROL | 1 |
| -- | ----- | - | (12.5HP KAW & 13HP HONDA) | |
| 82C | 363268 | 1 | THROTTLE CONTROL | 1 |
| -- | ----- | - | (14HP KOH & KAW & 12HP BRIGGS) | |
| 82CD | 603024 | 1 | THROTTLE CONTROL | 1 |
| -- | ----- | - | (16HP & 18HP BRIGGS ONLY) | |
| 83 | 363159 | 2 | NYLON BUSHING | |
| 84 | 363128 | 1 | SHIFTER BRACKET | |
| 85A | 104251 | 1 | 3/8"-24 NYLOC HEX NUT | |
| 85B | 105260 | 1 | 3/8" STD FLAT WASHER | |
| 85C | 100502 | 1 | 1/4"-28 X 3/4" HEX BOLT | |
| 85D | 105004 | 1 | 1/4" LOCK WASHER | |
| 85E | 363226 | 1 | SPRING DISC WASHER | |
| 88 | 362060 | 1 | SHIFTER LEVER W/GRIP | |
| 89 | 363355 | 1 | BULKHEAD FITTING | |
| 90A | 363372 | 1 | SAFETY MODULE | |
| 90B | 363375 | 1 | SAFETY MODULE TECUMSEH | |
| 91 | 423209 | 1 | IGNITION KEY | |

NOTES:

1: Item refers to units prior to serial #28160

CASTER ASSEMBLY



BELT DRIVE WALK BEHIND CASTER ASSEMBLY

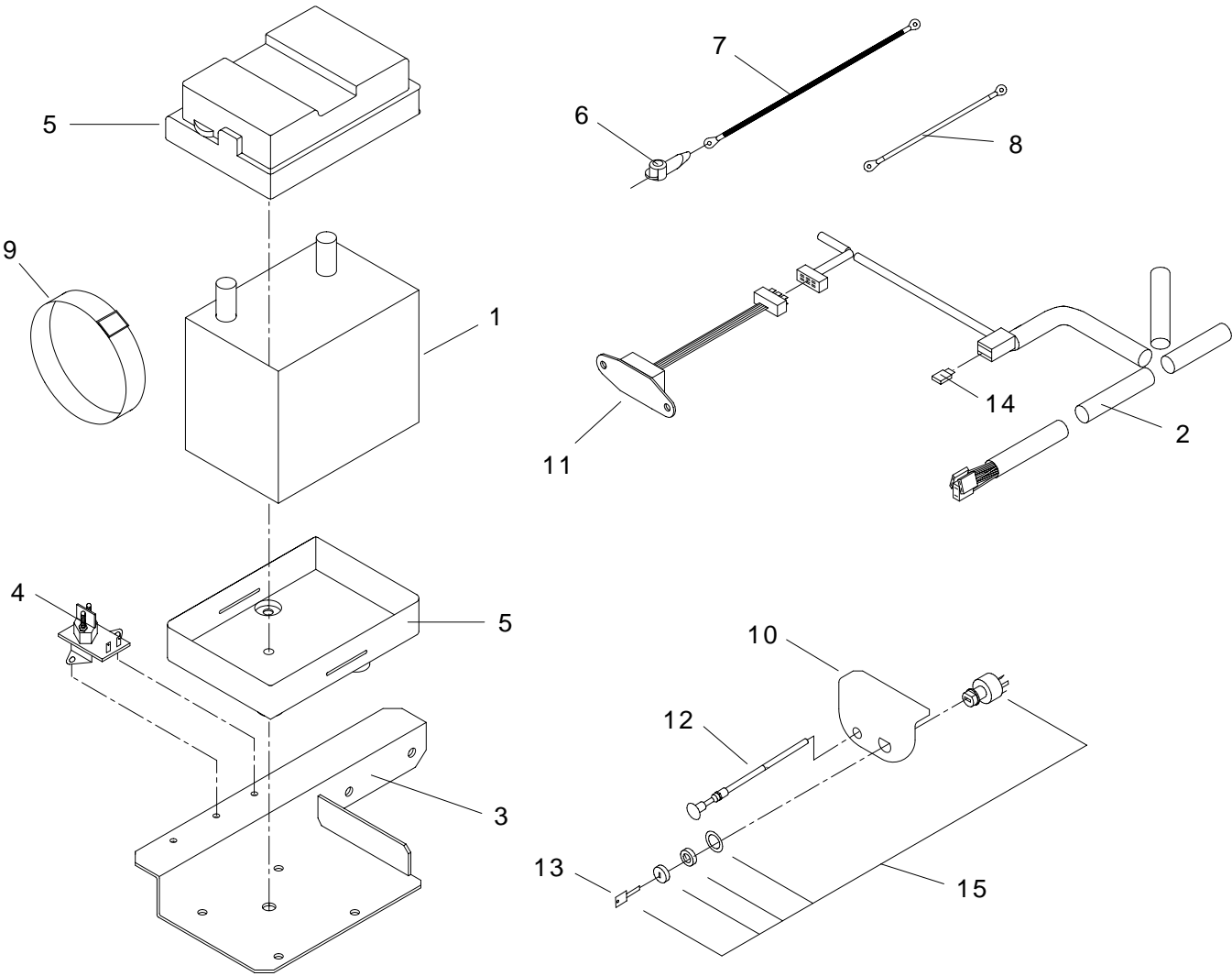
SEE NOTES

| # | PART NO. | QTY | DESCRIPTION | |
|-----|----------|-----|---------------------------|---|
| 1 | 363006 | 10 | CASTER SPACER | |
| 2 | 104259 | 2 | 1/2"-13 NYLOC NUT | |
| 3 | 362007 | 2 | CASTER SUPPORT W/BUSHINGS | |
| 4 | 111001 | 2 | GREASE ZERK | |
| 5 | 363007 | 4 | FLANGE BEARING | |
| 6 | 109020 | 1 | QUICK PIN | |
| 7 | 362081 | 2 | YOKE STRUT | |
| 8 | 363307 | 2 | AXLE TUBE | |
| 9A | 363011 | 4 | END CAP | 1 |
| 9B | 423201 | 4 | END CAP | |
| 10A | 363012 | 4 | ROLLER BEARING | 1 |
| 10B | 423200 | 2 | ROLLER BEARING | |
| 11 | 111005 | 2 | GREASE ZERK | |
| 12 | 363360 | 2 | SMOOTH TIRE AND TUBE | |
| 13 | 100339 | 2 | 1/2"-13 X 6" BOLT | |
| 14 | 363311 | 2 | WHEEL COMPLETE | |
| 15 | 362082 | 2 | CASTER ASSY COMPLETE | |

NOTES:

1: Item refers to units prior to serial #32300

ELECTRIC START ASSEMBLY



BELT DRIVE WALK BEHIND ELECTRIC START ASSEMBLY

SEE NOTES

| # | PART NO. | QTY | DESCRIPTION | |
|-----|----------|-----|--------------------------|---|
| 1 | 423142 | 1 | BATTERY | |
| 2A | 363373 | 1 | WIRE HARNESS (KAW) | |
| 2B | 363344 | 1 | WIRE HARNESS (BRIGGS) | |
| 3 | 322017 | 1 | BATTERY MOUNT BRACKET | |
| 4 | 423017 | 1 | STARTER RELAY | |
| 5 | 363345 | 1 | BATTERY CASE SET | |
| 6 | 423158 | 3 | TERMINAL INSULATOR | |
| 7 | 423118 | 1 | NEGATIVE CABLE | |
| 8A | 423116 | 1 | POSITIVE CABLE (SHORT) | |
| 8B | 423117 | 1 | POSITIVE CABLE (LONG) | |
| 9 | 363349 | 1 | BATTERY BELT | |
| 10 | 363341* | 1 | SWITCH ANGLE | 1 |
| 11 | 423030 | 1 | SAFETY MODULE | |
| 12A | 423153 | 1 | CHOKE CABLE (VANGUARD) | |
| 12B | 523027 | 1 | CHOKE CABLE (KAW) | 1 |
| 13 | 423209 | 1 | IGNITION KEY | |
| 14 | 523145 | 1 | 20 AMP FUSE | |
| 15 | 423027 | 1 | IGNITION SWITCH ASSEMBLY | |

NOTES:

1: Item refers to units prior to serial #28160

BELT DRIVE WALK BEHIND DECALS



1



2



3



4



5



6



7



8



9



10



11



12



13



14



15



16



17

BELT DRIVE WALK BEHIND DECALS

| # | PART NO. | QTY | DESCRIPTION |
|----|----------|-----|----------------------|
| 1 | 363369 | 1 | Premier Series Decal |
| 2 | 363037 | 1 | Cutter Blade Label |
| 3 | 363039 | 1 | Throttle Decal |
| 4 | 363289 | 2 | Neutral Park Decal |
| 5 | 363038 | 1 | Caution/Instr. Label |
| 6 | 363001 | 1 | Caution Decal |
| 7 | 363023 | 1 | Danger Decal |
| 8 | 363232 | 1 | Encore Logo |
| 9 | 363231 | 1 | Encore Label |
| 10 | 363214 | 1 | Pro-Line Decal |
| 11 | 363241 | 1 | Gear Shift Label |
| 12 | 363233 | 1 | Shifting Label |
| 13 | 323038 | 1 | Pro 32 Decal |
| 14 | 363356 | 1 | Pro 36 Decal |
| 15 | 483075 | 1 | Pro 48 Decal |
| 16 | 523467 | 1 | Pro 52 Decal |
| 17 | 603057 | 1 | Pro 60 Decal |

Notes:

