

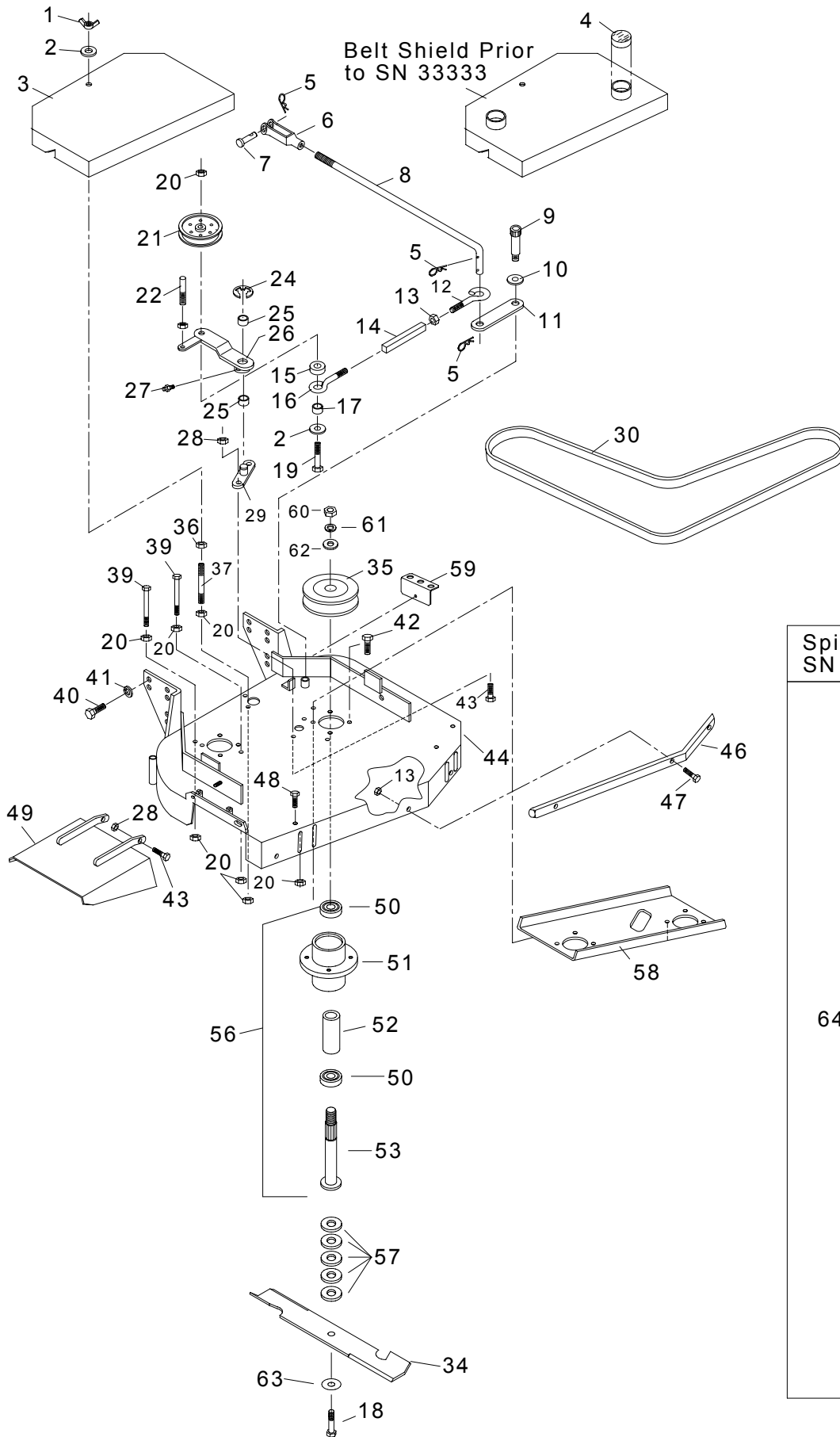
PREMIER
Series **HYDROPRO**

60B450

**PARTS
MANUAL**

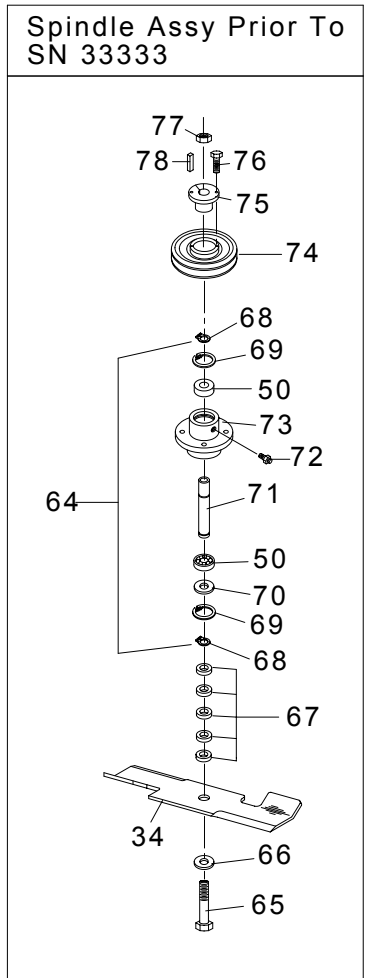


32" FRONT DECK ASSEMBLY



Belt Shield Prior to SN 33333

Spindle Assy Prior To SN 33333



HYDRO DRIVE WALK BEHIND 32" FRONT DECK ASSEMBLY

SEE NOTES

| # | PART NO. | QTY | DESCRIPTION |
|-----|----------|-----|---------------------------|
| 1 | 103027 | 3 | 3/8" WING NUT |
| 2 | 105260 | 4 | 3/8" STD. FLAT WASHER |
| 3 | 322002 | 1 | BELT COVER |
| 4 | 363161 | 2 | BELT COVER CAP |
| 5 | 363165 | 3 | HAIRPIN COTTER |
| 6 | 363192 | 1 | LARGE YOKE |
| 7 | 363196 | 1 | CLEVIS PIN |
| 8 | 323002 | 1 | BLADE DRIVE LINKAGE |
| 9 | 109014 | 1 | SHOULDER BOLT |
| 10 | 363240 | 1 | SHOULDER SPACER |
| 11 | 363085 | 1 | CAM LINK |
| 12 | 363080 | 1 | RIGHT EYEBOLT |
| 13 | 109001 | 4 | 5/16" WHIZLOCK NUT |
| 14 | 363172 | 1 | TURNBUCKLE BODY |
| 15 | 363097 | 1 | TURNBUCKLE SPACER |
| 16 | 363082 | 1 | LEFT EYEBOLT |
| 17 | 363174 | 1 | EYEBOLT SPACER |
| 18A | 100356 | 2 | 5/8"-11 X 1 1/2" HEX BOLT |
| 18B | 100358 | 2 | 5/8"-11 X 2 1/4" HEX BOLT |
| 19 | 100298 | 1 | 3/8" X 2 1/2" BOLT |
| 20 | 109007 | 18 | 3/8" WHIZLOCK NUT |
| 21 | 363264 | 1 | ENGAGEMENT IDLER (WF) |
| 22 | 363249 | 1 | BELT SNUBBER |
| 24 | 108509 | 1 | "E" RING |
| 25 | 363089 | 2 | BRONZE BUSHING |
| 26 | 362071 | 1 | ENGAGEMENT ARM W/BUSHING |
| 27 | 111004 | 1 | 1/4" - 28 ZERK |
| 28 | 104256 | 14 | 5/16" NYLOC HEX NUT |
| 29 | 362024 | 1 | IDLER PIVOT ASSY. |
| 30 | 323003 | 1 | BLADE DRIVE BELT |
| 34 | 483035 | 2 | 16" BLADE |
| 35 | 363378 | 2 | RAISED PULLEY |
| 36 | 104257 | 1 | 3/8" NYLOC HEX NUT |
| 37 | 363090 | 2 | BELT SHIELD SUPPORT |
| 39 | 100306 | 4 | 3/8" X 5" HEX BOLT |
| 40 | 100309 | 6 | 7/16" 1" HEX BOLT |
| 41 | 105007 | 6 | 7/16" LOCK WASHER |
| 42 | 100274 | 8 | 5/16" X 1 1/4" HEX BOLT |
| 43 | 100273 | 8 | 5/16" X 1" HEX BOLT |
| 44 | 322004 | 1 | 32" FRONT DECK |
| 45 | 109014 | 1 | SHOULDER BOLT |
| 46 | 323029 | 1 | SQUARE BUMPER |

HYDRO DRIVE WALK BEHIND 32" FRONT DECK ASSEMBLY

SEE NOTES

| # | PART NO. | QTY | DESCRIPTION | |
|----|----------|-----|-------------------------|---|
| 47 | 100276 | 3 | 5/16" X 1 3/4" HEX BOLT | |
| 48 | 100292 | 6 | 3/8" X 1" HEX BOLT | |
| 49 | 362012 | 1 | GRASS DEFLECTOR | |
| 50 | 363350 | 4 | SPINDLE BEARING | |
| 51 | 363380 | 2 | BLADE SPINDLE HOUSING | |
| 52 | 583113 | 2 | BEARING SPACER TUBE | |
| 53 | 583112 | 2 | SPINDLE SHAFT | |
| 56 | 363379 | 2 | SPINDLE ASSY COMPLETE | |
| 57 | 363382 | 10 | BLADE SPACER | |
| 58 | 323031 | 1 | 32" DECK CHANNEL | |
| 59 | 322019 | 1 | SPACER BRACKET | |
| 60 | 104511 | 2 | 3/4"-16 HEX NUT | |
| 61 | 105010 | 2 | 3/4" LOCK WASHER | |
| 62 | 105269 | 2 | 3/4" S.A.E. FLAT WASHER | |
| 63 | 583108 | 2 | 5/8" DISC SPRING WASHER | |
| 64 | 362044 | 2 | CUTTER HOUSING ASSY | 1 |
| 65 | 100353 | 2 | 5/8" X 9 1/2" HEX BOLT | 1 |
| 66 | 105268 | 2 | 5/8" STD. FLAT WASHER | 1 |
| 67 | 363170 | 10 | BLADE SPACER | 1 |
| 68 | 108507 | 4 | 1" RETAINING RING | 1 |
| 69 | 108506 | 4 | INT. SNAP RING | 1 |
| 70 | 363060 | 2 | DUST CAP | 1 |
| 71 | 363058 | 2 | SPINDLE SHAFT | 1 |
| 72 | 111002 | 2 | 5/16" DRIVE ZERK | 1 |
| 73 | 363053 | 2 | BLADE SPINDLE HOUSING | 1 |
| 74 | 363216 | 2 | TAPER LOCK SHEAVE | 1 |
| 75 | 363217 | 2 | TAPER LOCK HUB | 1 |
| 76 | 100252 | 4 | 1/4" X 3/4" HEX BOLT | 1 |
| 77 | 104510 | 2 | 5/8"-11 HEX NUT | 1 |
| 78 | 363242 | 2 | BLADE SPINDLE KEY | 1 |

NOTES:

1: Item refers to units prior to serial #33333

36" FRONT DECK ASSEMBLY



HYDRO DRIVE WALK BEHIND 36" FRONT DECK ASSEMBLY

SEE NOTES

| # | PART NO. | QTY | DESCRIPTION |
|-----|----------|-----|---------------------------|
| 1 | 103027 | 3 | 3/8" WING NUT |
| 2 | 105260 | 4 | 3/8" STD. FLAT WASHER |
| 3 | 362043 | 1 | BELT COVER |
| 4 | 363161 | 2 | BELT COVER CAP |
| 5 | 363165 | 3 | HAIRPIN COTTER |
| 6 | 363192 | 1 | LARGE YOKE |
| 7 | 363196 | 1 | CLEVIS PIN |
| 8 | 363194 | 1 | BLADE DRIVE LINKAGE |
| 9 | 109014 | 1 | SHOULDER BOLT |
| 10 | 363240 | 1 | SHOULDER SPACER |
| 11 | 363085 | 1 | CAM LINK |
| 12 | 363080 | 1 | RIGHT EYEBOLT |
| 13 | 109001 | 4 | 5/16" WHIZLOCK NUT |
| 14 | 363172 | 1 | TURNBUCKLE BODY |
| 15 | 363097 | 1 | TURNBUCKLE SPACER |
| 16 | 363082 | 1 | LEFT EYEBOLT |
| 17 | 363174 | 1 | EYEBOLT SPACER |
| 18A | 100356 | 2 | 5/8"-11 X 1 1/2" HEX BOLT |
| 18B | 100358 | 2 | 5/8"-11 X 2 1/4" HEX BOLT |
| 19 | 100298 | 1 | 3/8" X 2 1/2" BOLT |
| 20 | 109007 | 18 | 3/8" WHIZLOCK NUT |
| 21 | 363264 | 1 | ENGAGEMENT IDLER (WF) |
| 22 | 363249 | 1 | BELT SNUBBER |
| 24 | 108509 | 1 | "E" RING |
| 25 | 363089 | 2 | BRONZE BUSHING |
| 26 | 362071 | 1 | ENGAGEMENT ARM W/BUSHING |
| 27 | 111004 | 1 | 1/4" - 28 ZERK |
| 28 | 104256 | 14 | 5/16" NYLOC HEX NUT |
| 29 | 362024 | 1 | IDLER PIVOT ASSY. |
| 30 | 363210 | 1 | BLADE DRIVE BELT |
| 34 | 363291 | 2 | 18" BLADE |
| 35 | 363378 | 2 | RAISED PULLEY |
| 36 | 104257 | 1 | 3/8" NYLOC HEX NUT |
| 37 | 363090 | 2 | BELT SHIELD SUPPORT |
| 38 | 362018 | 2 | FRONT BELT GUIDE |
| 39 | 100306 | 2 | 3/8" X 5" HEX BOLT |
| 40 | 100309 | 6 | 7/16" 1" HEX BOLT |
| 41 | 105007 | 6 | 7/16" LOCK WASHER |
| 42 | 100274 | 8 | 5/16" X 1 1/4" HEX BOLT |
| 43 | 100273 | 8 | 5/16" X 1" HEX BOLT |
| 44 | 362077 | 1 | 36" FRONT DECK |
| 45 | 109014 | 1 | SHOULDER BOLT |

HYDRO DRIVE WALK BEHIND 36" FRONT DECK ASSEMBLY

SEE NOTES

| # | PART NO. | QTY | DESCRIPTION | |
|----|----------|-----|-------------------------|---|
| 46 | 363304 | 1 | SQUARE BUMPER | |
| 47 | 100276 | 3 | 5/16" X 1 3/4" HEX BOLT | |
| 48 | 100292 | 6 | 3/8" X 1" HEX BOLT | |
| 49 | 362012 | 1 | GRASS DEFLECTOR | |
| 50 | 363350 | 4 | SPINDLE BEARING | |
| 51 | 363380 | 2 | BLADE SPINDLE HOUSING | |
| 52 | 583113 | 2 | BEARING SPACER TUBE | |
| 53 | 583112 | 2 | SPINDLE SHAFT | |
| 56 | 363379 | 2 | SPINDLE ASSY COMPLETE | |
| 57 | 363382 | 10 | BLADE SPACER | |
| 58 | 363301 | 1 | 36" DECK CHANNEL | |
| 59 | 322019 | 1 | SPACER BRACKET | |
| 60 | 104511 | 2 | 3/4"-16 HEX NUT | |
| 61 | 105010 | 2 | 3/4" LOCK WASHER | |
| 62 | 105269 | 2 | 3/4" S.A.E. FLAT WASHER | |
| 63 | 583108 | 2 | 5/8" DISC SPRING WASHER | |
| 64 | 362044 | 2 | CUTTER HOUSING ASSY | 1 |
| 65 | 100353 | 2 | 5/8" X 9 1/2" HEX BOLT | 1 |
| 66 | 105268 | 2 | 5/8" STD. FLAT WASHER | 1 |
| 67 | 363170 | 10 | BLADE SPACER | 1 |
| 68 | 108507 | 4 | 1" RETAINING RING | 1 |
| 69 | 108506 | 4 | INT. SNAP RING | 1 |
| 70 | 363060 | 2 | DUST CAP | 1 |
| 71 | 363058 | 2 | SPINDLE SHAFT | 1 |
| 72 | 111002 | 2 | 5/16" DRIVE ZERK | 1 |
| 73 | 363053 | 2 | BLADE SPINDLE HOUSING | 1 |
| 74 | 363216 | 2 | TAPER LOCK SHEAVE | 1 |
| 75 | 363217 | 2 | TAPER LOCK HUB | 1 |
| 76 | 100252 | 4 | 1/4" X 3/4" HEX BOLT | 1 |
| 77 | 104510 | 2 | 5/8"-11 HEX NUT | 1 |
| 78 | 363242 | 2 | BLADE SPINDLE KEY | 1 |

NOTES:

1: Item refers to units prior to serial #33333

48" FRONT DECK ASSEMBLY



HYDRO DRIVE WALK BEHIND 48" FRONT DECK ASSEMBLY

SEE NOTES

| # | PART NO. | QTY | DESCRIPTION |
|-----|----------|-----|---------------------------|
| 1 | 103027 | 3 | 3/8" WING NUT |
| 2 | 105260 | 4 | 3/8" STD. FLAT WASHER |
| 3 | 362043 | 1 | BELT COVER |
| 4 | 363161 | 2 | BELT COVER CAP |
| 5 | 363165 | 3 | HAIRPIN COTTER |
| 6 | 363192 | 1 | LARGE YOKE |
| 7 | 363196 | 1 | CLEVIS PIN |
| 8 | 483028 | 1 | BLADE DRIVE LINKAGE |
| 9 | 109014 | 1 | SHOULDER BOLT |
| 10 | 363240 | 1 | SHOULDER SPACER |
| 11 | 363085 | 1 | CAM LINK |
| 12 | 363080 | 1 | RIGHT EYEBOLT |
| 13 | 109001 | 4 | 5/16" WHIZLOCK NUT |
| 14 | 363172 | 1 | TURNBUCKLE BODY |
| 15 | 363097 | 1 | TURNBUCKLE SPACER |
| 16 | 363082 | 1 | LEFT EYEBOLT |
| 17 | 363174 | 1 | EYEBOLT SPACER |
| 18A | 100356 | 2 | 5/8"-11 X 1 1/2" HEX BOLT |
| 18B | 100358 | 2 | 5/8"-11 X 2 1/4" HEX BOLT |
| 19 | 100298 | 1 | 3/8" X 2 1/2" BOLT |
| 20 | 109007 | 18 | 3/8" WHIZLOCK NUT |
| 21 | 363264 | 1 | ENGAGEMENT IDLER (WF) |
| 22 | 100297 | 1 | 3/8" x 2 1/4" HEX BOLT |
| 23 | 108509 | 1 | "E" RING |
| 24 | 363089 | 4 | BRONZE BUSHING |
| 25 | 362071 | 1 | ENGAGEMENT ARM W/BUSHING |
| 26 | 104256 | 15 | 5/16" NYLOC HEX NUT |
| 27 | 362024 | 2 | IDLER PIVOT ASSY. |
| 28 | 104511 | 3 | 3/4"-16 HEX NUT |
| 29 | 105010 | 3 | 3/4" LOCK WASHER |
| 30 | 105269 | 3 | 3/4" S.A.E. FLAT WASHER |
| 31 | 583110 | 1 | PULLEY SPACER |
| 32 | 583107 | 1 | PULLEY |
| 33 | 363378 | 1 | RAISED PULLEY |
| 34 | 363377 | 1 | DOUBLE PULLEY |
| 35 | 104257 | 3 | 3/8" NYLOC HEX NUT |
| 36 | 483025 | 1 | RIGHT HAND IDLER PULLEY |
| 37 | 482005 | 1 | IDLER ARM RIGHT |
| 38 | 483003 | 1 | BELT TENSION ROD |
| 39 | 483017 | 1 | RIGHT HAND IDLER SPACER |
| 40 | 483019 | 1 | RIGHT HAND IDLER WASHER |
| 41 | 483031 | 1 | RIGHT HAND BLADE BELT |
| 42 | 100309 | 6 | 7/16" X 1" HEX BOLT |
| 43 | 105007 | 6 | 7/16" LOCK WASHER |
| 44 | 482017 | 1 | GRASS DEFLECTOR |

HYDRO DRIVE WALK BEHIND 48" FRONT DECK ASSEMBLY

SEE NOTES

| # | PART NO. | QTY | DESCRIPTION | |
|----|----------|-----|-------------------------|---|
| 45 | 100273 | 8 | 5/16" X 1" HEX BOLT | |
| 46 | 100292 | 8 | 3/8" X 1" HEX BOLT | |
| 47 | 363090 | 1 | BE.T SHIELD SUPPORT | |
| 48 | 100274 | 12 | 5/16" X 1 1/4" HEX BOLT | |
| 49 | 362018 | 1 | FRONT BELT GUIDE | |
| 50 | 100306 | 3 | 3/8" X 5" HEX BOLT | |
| 51 | 482019 | 1 | 48" FRONT DECK | |
| 52 | 482015 | 1 | 48" DECK CHANNEL | |
| 53 | 100276 | 4 | 5/16" X 1 3/4" HEX BOLT | |
| 54 | 483043 | 1 | SQUARE BUMPER | |
| 55 | 483030 | 1 | BLADE DRIVE BELT | |
| 56 | 363350 | 6 | SPINDLE BEARING | |
| 57 | 363380 | 3 | BLADE SPINDLE HOUSING | |
| 58 | 583113 | 3 | BEARING SPACER TUBE | |
| 59 | 583112 | 3 | SPINDLE SHAFT | |
| 60 | 363382 | 15 | BLADE SPACER | |
| 61 | 363379 | 3 | CUTTER HOUSING ASSY | |
| 62 | 483035 | 3 | 16" BLADE | |
| 63 | 583108 | 3 | 5/8" DISC SPRING WASHER | |
| 64 | 322019 | 1 | SPACER BRACKET | |
| 65 | 322019 | 2 | 1/4" ZERK | |
| 66 | 363249 | 1 | BELT SNUBBER | |
| 67 | 362044 | 3 | CUTTER HOUSING ASSY | 1 |
| 68 | 100353 | 3 | 5/8" X 9 1/2" HEX BOLT | 1 |
| 69 | 105268 | 3 | 5/8" STD. FLAT WASHER | 1 |
| 70 | 363170 | 15 | BLADE SPACER | 1 |
| 71 | 108507 | 6 | 1" RETAINING RING | 1 |
| 72 | 108506 | 6 | INT. SNAP RING | 1 |
| 73 | 363060 | 3 | DUST CAP | 1 |
| 74 | 363058 | 3 | SPINDLE SHAFT | 1 |
| 75 | 111002 | 3 | 5/16" DRIVE ZERK | 1 |
| 76 | 363053 | 3 | BLADE SPINDLE HOUSING | 1 |
| 77 | 363216 | 2 | TAPER LOCK SHEAVE | 1 |
| 78 | 363217 | 3 | TAPER LOCK HUB | 1 |
| 79 | 100252 | 6 | 1/4" X 3/4" HEX BOLT | 1 |
| 80 | 104510 | 3 | 5/8"-11 HEX NUT | 1 |
| 81 | 363242 | 3 | BLADE SPINDLE KEY | 1 |
| 82 | 483026 | 1 | TAPER LOCK DBLE SHEAVE | 1 |

NOTES:

1: Item refers to units prior to serial #33333

HYDRO DRIVE WALK BEHIND 52" FRONT DECK ASSEMBLY

SEE NOTES

| # | PART NO. | QTY | DESCRIPTION |
|----|----------|-----|--------------------------|
| 1 | 103027 | 4 | 3/8" WING NUT |
| 2 | 105260 | 6 | 3/8" STD. FLAT WASHER |
| 3 | 363161 | 3 | BELT COVER CAP |
| 4 | 522138 | 1 | BELT SHIELD ASSY |
| 5 | 363165 | 3 | HAIRPIN COTTER |
| 6 | 363192 | 1 | LARGE YOKE |
| 7 | 363196 | 1 | CLEVIS PIN |
| 8 | 363194 | 1 | BLADE DRIVE LINKAGE |
| 9 | 363240 | 1 | SHOULDER SPACER |
| 10 | 603023 | 1 | ROLLER |
| 11 | 363085 | 1 | CAM LINK |
| 12 | 363080 | 1 | RIGHT EYEBOLT |
| 13 | 109001 | 5 | 5/16" WHIZLOCK NUT |
| 14 | 363172 | 1 | TURNBUCKLE BODY |
| 15 | 363097 | 1 | TURNBUCKLE SPACER |
| 16 | 363082 | 1 | LEFT EYEBOLT |
| 17 | 363174 | 1 | EYEBOLT SPACER |
| 18 | 100352 | 1 | 5/8" X 9" HEX BOLT |
| 19 | 100298 | 1 | 3/8" X 2 1/2" HEX BOLT |
| 20 | 109007 | 12 | 3/8" WHIZLOCK NUT |
| 21 | 363264 | 1 | ENGAGEMENT IDLER (WF) |
| 22 | 100297 | 1 | 3/8" X 2 1/4" HEX BOLT |
| 23 | 108509 | 1 | "E" RING |
| 24 | 363089 | 4 | BRONZE BUSHING |
| 25 | 362071 | 1 | ENGAGEMENT ARM W/BUSHING |
| 26 | 104256 | 15 | 5/16" NYLOC HEX NUT |
| 27 | 362024 | 2 | IDLER PIVOT ASSY. |
| 28 | 104511 | 3 | 3/4" HEX NUT |
| 29 | 105010 | 3 | 3/4" LOCK WASHER |
| 30 | 105269 | 3 | 3/4" S.A.E. FLAT WASHER |
| 31 | 583110 | 1 | PULLEY SPACER |
| 32 | 583107 | 1 | PULLEY |
| 33 | 363378 | 1 | RAISED PULLEY |
| 34 | 363377 | 1 | DOUBLE PULLEY |
| 35 | 104257 | 3 | 3/8" NYLOC HEX NUT |
| 36 | 483025 | 1 | RIGHT HAND IDLER PULLEY |
| 37 | 482005 | 1 | IDLER ARM RIGHT |
| 38 | 483003 | 1 | BELT TENSION ROD |
| 39 | 483017 | 1 | RIGHT HAND IDLER SPACER |
| 40 | 483019 | 1 | RIGHT HAND IDLER WASHER |
| 41 | 523453 | 1 | RIGHT HAND BLADE BELT |
| 42 | 100309 | 6 | 7/16" X 1" HEX BOLT |
| 43 | 105007 | 6 | 7/16" LOCK WASHER |
| 44 | 482017 | 1 | GRASS DEFLECTOR |
| 45 | 100273 | 8 | 5/16" X 1" HEX BOLT |

HYDRO DRIVE WALK BEHIND 52" FRONT DECK ASSEMBLY

SEE NOTES

| # | PART NO. | QTY | DESCRIPTION | |
|-----|----------|-----|---------------------------|---|
| 46 | 100292 | 8 | 3/8" X 1" HEX BOLT | |
| 47 | 363090 | 1 | BELT SHIELD SUPPORT | |
| 48 | 100274 | 8 | 5/16" X 1 1/4" HEX BOLT | |
| 49 | 523464 | 1 | RIGHT HAND BUMPER | |
| 50 | 100306 | 4 | 3/8" X 5" HEX BOLT | |
| 51 | 522140 | 1 | 52" FRONT DECK | |
| 52 | 522146 | 1 | DECK CHANNEL | |
| 53 | 100276 | 4 | 5/16" X 1 3/4" HEX BOLT | |
| 54 | 523464 | 1 | LEFT HAND BUMPER | |
| 55 | 523452 | 1 | BLADE DRIVE BELT | |
| 56 | 363350 | 6 | SPINDLE BEARING | |
| 57 | 363380 | 3 | BLADE SPINDLE HOUSING | |
| 58 | 583113 | 3 | BEARING SPACER TUBE | |
| 59 | 583112 | 3 | SPINDLE SHAFT | |
| 60 | 363382 | 15 | BLADE SPACER | |
| 61 | 363379 | 3 | CUTTER HOUSING ASSY | |
| 62 | 363291 | 3 | 18" BLADE | |
| 63 | 583108 | 3 | 5/8" DISC SPRING WASHER | |
| 64A | 100356 | 3 | 5/8"-11 X 1 1/2" HEX BOLT | |
| 64B | 100358 | 3 | 5/8"-11 X 2 1/4" HEX BOLT | |
| 65 | 323040 | 1 | SPACER BRACKET | |
| 66 | 111004 | 2 | 1/4" ZERK | |
| 67 | 363249 | 1 | BELT SNUBBER | 1 |
| 68 | 105268 | 5 | 5/8" FLAT WASHER | 1 |
| 69 | 104269 | 1 | 5/8" NYLOC NUT | 1 |
| 70 | 109014 | 1 | SHOULDER BOLT | 1 |
| 71 | 362044 | 3 | CUTTER HOUSING ASSY | 1 |
| 72 | 100353 | 3 | 5/8" X 9 1/2" HEX BOLT | 1 |
| 73 | 105268 | 3 | 5/8" STD. FLAT WASHER | 1 |
| 74 | 363170 | 15 | BLADE SPACER | 1 |
| 75 | 108507 | 6 | 1" RETAINING RING | 1 |
| 76 | 108506 | 6 | INT. SNAP RING | 1 |
| 77 | 363060 | 3 | DUST CAP | 1 |
| 78 | 363058 | 3 | SPINDLE SHAFT | 1 |
| 79 | 111002 | 3 | 5/16" DRIVE ZERK | 1 |
| 80 | 363053 | 3 | BLADE SPINDLE HOUSING | 1 |
| 81 | 363216 | 2 | TAPER LOCK SHEAVE | 1 |
| 82 | 363217 | 3 | TAPER LOCK HUB | 1 |
| 83 | 100252 | 6 | 1/4" X 3/4" HEX BOLT | 1 |
| 84 | 104510 | 3 | 5/8"-11 HEX NUT | 1 |
| 85 | 363242 | 3 | BLADE SPINDLE KEY | 1 |
| 86 | 483026 | 1 | TAPER LOCK DBLE SHEAVE | 1 |

NOTES:

1: Item refers to units prior to serial #33333

60" FRONT DECK ASSEMBLY



HYDRO DRIVE WALK BEHIND 60" FRONT DECK ASSEMBLY

SEE NOTES

| # | PART NO. | QTY | DESCRIPTION |
|-----|----------|-----|---------------------------|
| 1 | 103027 | 4 | 3/8" WING NUT |
| 2 | 105260 | 6 | 3/8" STD. FLAT WASHER |
| 3 | 363361 | 3 | BELT COVER CAP |
| 4 | 602008 | 1 | BELT COVER |
| 5 | 363165 | 3 | HAIRPIN COTTER |
| 6 | 363192 | 1 | LARGE YOKE |
| 7 | 363196 | 1 | CLEVIS PIN |
| 8 | 603014 | 1 | BLADE DRIVE LINKAGE |
| 9 | 363240 | 1 | SHOULDER SPACER |
| 10 | 603023 | 1 | ROLLER |
| 11 | 363085 | 1 | CAM LINK |
| 12 | 363080 | 1 | RIGHT EYEBOLT |
| 13 | 109001 | 5 | 5/16" WHIZLOCK NUT |
| 14 | 363172 | 1 | TURNBUCKLE BODY |
| 15 | 363097 | 1 | TURNBUCKLE SPACER |
| 16 | 363082 | 1 | LEFT EYEBOLT |
| 17 | 363174 | 1 | EYEBOLT SPACER |
| 18A | 100356 | 3 | 5/8"-11 X 1 1/2" HEX BOLT |
| 18B | 100358 | 3 | 5/8"-11 X 2 1/4" HEX BOLT |
| 19 | 100298 | 1 | 3/8" X 2 1/2" BOLT |
| 20 | 109007 | 12 | 3/8" WHIZLOCK NUT |
| 21 | 363264 | 1 | ENGAGEMENT IDLER (WF) |
| 22 | 100297 | 1 | 3/8" x 2 1/4" HEX BOLT |
| 23 | 108509 | 1 | "E" RING |
| 24 | 363089 | 4 | BRONZE BUSHING |
| 25 | 362071 | 1 | ENGAGEMENT ARM W/BUSHING |
| 26 | 104256 | 15 | 5/16" NYLOC HEX NUT |
| 27 | 362024 | 2 | IDLER PIVOT ASSY. |
| 28 | 104511 | 3 | 3/4"-16 HEX NUT |
| 29 | 105010 | 3 | 3/4" LOCK WASHER |
| 30 | 105269 | 3 | 3/4" S.A.E. FLAT WASHER |
| 31 | 583110 | 1 | PULLEY SPACER |
| 32 | 583107 | 1 | PULLEY |
| 33 | 363378 | 1 | RAISED PULLEY |
| 34 | 363377 | 1 | DOUBLE PULLEY |
| 35 | 104257 | 3 | 3/8" NYLOC HEX NUT |
| 36 | 483025 | 1 | RIGHT HAND IDLER PULLEY |
| 37 | 482005 | 1 | IDLER ARM RIGHT |
| 38 | 483003 | 1 | BELT TENSION ROD |
| 39 | 483017 | 1 | RIGHT HAND IDLER SPACER |
| 40 | 483019 | 1 | RIGHT HAND IDLER WASHER |
| 41 | 603016 | 1 | RIGHT HAND BLADE BELT |

HYDRO DRIVE WALK BEHIND 60" FRONT DECK ASSEMBLY

SEE NOTES

| # | PART NO. | QTY | DESCRIPTION | |
|----|----------|-----|-------------------------|---|
| 42 | 100309 | 6 | 7/16" X 1" HEX BOLT | |
| 43 | 105007 | 6 | 7/16" LOCK WASHER | |
| 44 | 482017 | 1 | GRASS DEFLECTOR | |
| 45 | 100273 | 8 | 5/16" X 1" HEX BOLT | |
| 46 | 100292 | 6 | 3/8" X 1" HEX BOLT | |
| 47 | 363090 | 1 | BELT SHIELD SUPPORT | |
| 48 | 100274 | 12 | 5/16" X 1 1/4" HEX BOLT | |
| 49 | 603038 | 1 | RIGHT HAND BUMPER | |
| 50 | 100306 | 3 | 3/8" X 5" HEX BOLT | |
| 51 | 602011 | 1 | 60" FRONT DECK | |
| 52 | 602010 | 1 | 60" DECK CHANNEL | |
| 53 | 100276 | 4 | 5/16" X 1 3/4" HEX BOLT | |
| 54 | 603040 | 1 | LEFT HAND BUMPER | |
| 55 | 603015 | 1 | BLADE DRIVE BELT | |
| 56 | 363350 | 6 | SPINDLE BEARING | |
| 57 | 363380 | 3 | BLADE SPINDLE HOUSING | |
| 58 | 583113 | 3 | BEARING SPACER TUBE | |
| 59 | 583112 | 3 | SPINDLE SHAFT | |
| 60 | 363382 | 15 | BLADE SPACER | |
| 61 | 363379 | 3 | CUTTER HOUSING ASSY | |
| 62 | 603035 | 3 | 20" BLADE | |
| 63 | 583108 | 3 | 5/8" DISC SPRING WASHER | |
| 64 | 100352 | 1 | 5/8" X 9" HEX BOLT | |
| 65 | 322019 | 1 | SPACER BRACKET | |
| 66 | 111004 | 2 | 1/4" ZERK | |
| 67 | 363249 | 1 | BELT SNUBBER | |
| 68 | 105268 | 5 | 5/8" FLAT WASHER | |
| 69 | 104261 | 1 | 5/8" NYLOCK NUT | |
| 70 | 109014 | 1 | SHOULDER BOLT | |
| 71 | 362044 | 3 | CUTTER HOUSING ASSY | 1 |
| 72 | 100353 | 3 | 5/8" X 9 1/2" HEX BOLT | 1 |
| 73 | 105268 | 3 | 5/8" STD. FLAT WASHER | 1 |
| 74 | 363170 | 15 | BLADE SPACER | 1 |
| 75 | 108507 | 6 | 1" RETAINING RING | 1 |
| 76 | 108506 | 6 | INT. SNAP RING | 1 |
| 77 | 363060 | 3 | DUST CAP | 1 |
| 78 | 363058 | 3 | SPINDLE SHAFT | 1 |
| 79 | 111002 | 3 | 5/16" DRIVE ZERK | 1 |
| 80 | 363053 | 3 | SPINDLE HOUSING | 1 |
| 81 | 363216 | 2 | TAPER LOCK SHEAVE | 1 |
| 82 | 363217 | 3 | TAPER LOCK HUB | 1 |
| 83 | 100252 | 6 | 1/4" X 3/4" HEX BOLT | 1 |

HYDRO DRIVE WALK BEHIND 60" FRONT DECK ASSEMBLY

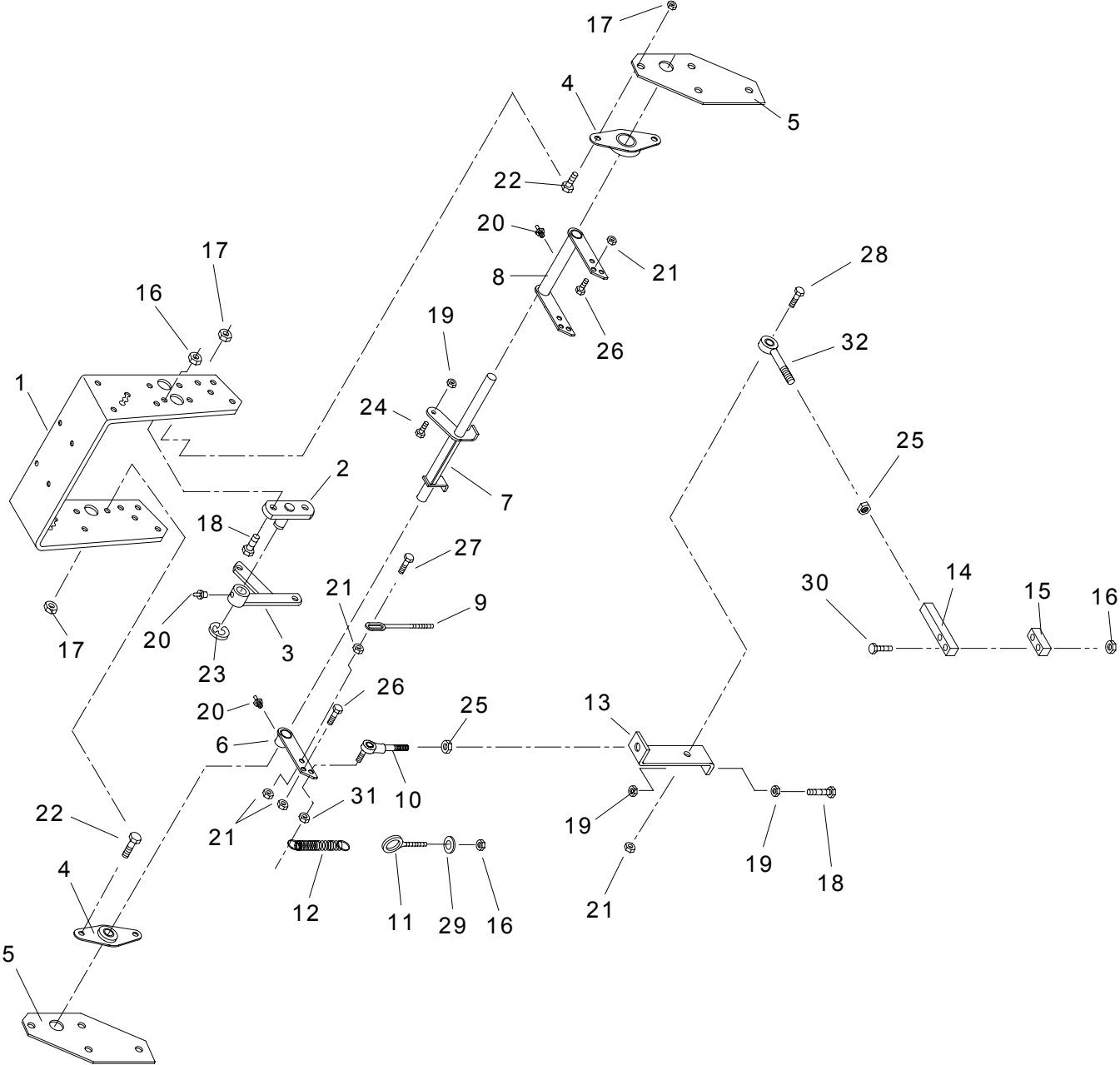
SEE NOTES

| # | PART NO. | QTY | DESCRIPTION | |
|----|----------|-----|------------------------|---|
| 84 | 104510 | 3 | 5/8"-11 HEX NUT | 1 |
| 85 | 363242 | 3 | BLADE SPINDLE KEY | 1 |
| 86 | 483026 | 1 | TAPER LOCK DBLE SHEAVE | 1 |

NOTES:

1: Item refers to units prior to serial #33333

CONTROL ASSEMBLY

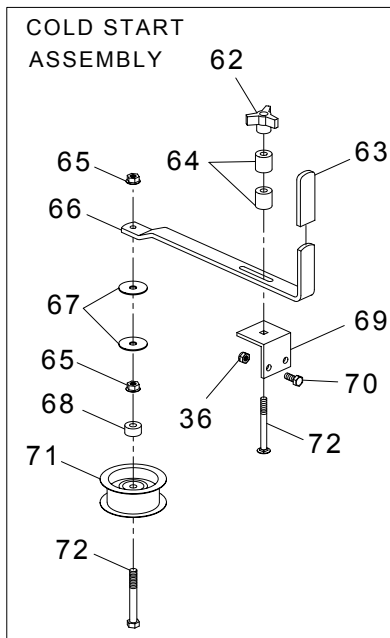


HYDRO WALK BEHIND CONTROL ASSEMBLY

| # | PART NO. | QTY | DESCRIPTION |
|----|----------|-----|----------------------------|
| 1 | 363148 | 1 | LOWER HANDLE |
| 2 | 362033 | 1 | BELL CRANK MOUNT |
| 3 | 362040 | 1 | BELL CRANK |
| 4 | 363292 | 2 | FLANGE BEARING |
| 5 | 453150 | 2 | CONTROL BEARING MOUNT |
| 6 | 452028 | 1 | RIGHT CONTROL W/ZERK |
| 7 | 452018 | 1 | CAM WELDMENT |
| 8 | 452027 | 1 | LEFT CONTROL W/ZERK |
| 9 | 453080 | 2 | STOP ROD |
| 10 | 423160 | 2 | MALE ROD END |
| 11 | 453130 | 2 | 1/4" EYE BOLT |
| 12 | 363117 | 2 | TENSION SPRING |
| 13 | 453148 | 2 | THREADED PUMP LINK |
| 14 | 453092 | 2 | PUMP CONTROL BAR |
| 15 | 453090 | 2 | CLAMP BAR |
| 16 | 104255 | 8 | 1/4"-20 NYLOC HEX NUT |
| 17 | 100292 | 8 | 3/8"-16 NYLOC HEX NUT |
| 18 | 100004 | 4 | 1/4"-20 X 1" HEX BOLT |
| 19 | 109000 | 5 | 1/4"-20 WHIZLOC NUT |
| 20 | 111004 | 3 | 1/4"-28 GREASE ZERK |
| 21 | 109001 | 10 | 5/16"-18 WHIZLOCK NUT |
| 22 | 100292 | 8 | 3/8"-16 X 1" HEX BOLT |
| 23 | 108500 | 1 | 5/8" E-RING |
| 24 | 100255 | 1 | 1/4"-20 X 1 1/4" HEX BOLT |
| 25 | 104752 | 6 | 5/16"-24 JAM NUT |
| 26 | 100274 | 2 | 5/16"-18 X 1 1/4" HEX BOLT |
| 27 | 100275 | 2 | 5/16"-18 X 1 1/2" HEX BOLT |
| 28 | 100273 | 2 | 5/16"-18 X 1" HEX BOLT |
| 29 | 105256 | 2 | 1/4" FLAT WASHER |
| 30 | 100257 | 4 | 1/4"-20 X 1 3/4" HEX BOLT |
| 31 | 104251 | 2 | 3/8"-24 NYLOC NUT |
| 32 | 453082 | 2 | .312 ROD END (MALE) |

NOTES:

REAR DECK ASSEMBLY



HYDRO WALK BEHIND REAR DECK ASSEMBLY

SEE NOTES

| # | PART NO. | QTY | DESCRIPTION | |
|-----|----------|-----|----------------------------------|---|
| 1 | 603031 | 1 | DRAIN CLAMP (VANGUARD) | |
| 2 | 602006 | 1 | OIL DRAIN ASSY (VANGUARD) | |
| 3 | 603030 | 1 | DRAIN CAP (VANGUARD) | |
| 4 | 603029 | 1 | DRAIN FITTING (VANGUARD) | |
| 5 | 603025 | 1 | DRAIN LINE (VANGUARD) | |
| 6 | 603026 | 1 | ENGINE FITTING (VANGUARD) | |
| 7 | 453129 | 1 | TANK TO PUMP LINE | |
| 8 | 453106 | 1 | SWIVEL TEE | |
| 9 | 453075 | 1 | 45 DEGREE SWIVEL | |
| 10 | 453127 | 1 | PUMP TO PUMP FEED | |
| 11A | 453118 | 1 | RIGHT HAND INSIDE LINE | |
| 11A | 453119 | 1 | RIGHT HAND OUTSIDE LINE | |
| 11A | 453120 | 1 | LEFT HAND INSIDE LINE | |
| 11A | 453121 | 1 | LEFT HAND OUTSIDE LINE | |
| 11B | 453122 | 1 | RIGHT HAND INSIDE LINE | 2 |
| 11B | 453123 | 1 | RIGHT HAND OUTSIDE LIINE | 2 |
| 11B | 453124 | 1 | LEFT HAND INSIDE LINE | 2 |
| 11B | 453125 | 1 | LEFT HAND OUTSIDE LINE | 2 |
| 12 | 453109 | 1 | 90 DEGREE SWIVEL | |
| 13 | 453020 | 1 | CROSS ADAPTER | |
| 14 | 453126 | 1 | PUMP TO PUMP RETURN | |
| 15 | 453074 | 1 | 90 DEGREE ADAPTER | |
| 16 | 452002 | 1 | HYDRO REAR DECK | |
| 17A | 453066 | 2 | TIRE 16-6.50 X 8 | |
| 17B | 323034 | 2 | TIRE 16-6.50 X 8 (32" DECK) | |
| 18A | 453067 | 2 | RIM W/VALVE STEM | |
| 18B | 323035 | 2 | RIM W/VALVE STEM (32" DECK) | |
| 19 | 453064 | 2 | WHEEL HUB | |
| 20 | 453068 | 2 | WHEEL MOTOR | |
| 21A | 453065 | 2 | RIM & TIRE COMPLETE | |
| 21B | 323032 | 2 | RIM & TIRE COMPLETE (32" DECK) | |
| 22 | 362031 | 1 | BELT GUIDE BRKT (32" & 36" DECK) | |
| 23A | 482003 | 1 | BELT GUIDE BRKT (48" & 60" DECK) | |
| 23B | 383003 | 1 | BELT GUIDE BRKT (52" DECK) | |
| 24 | 453113 | 4 | PUMP ELBOW | |
| 25 | 453080 | 2 | STOP ROD | |
| 26 | 363169 | 1 | SMALL IDLER | |
| 27 | 363124 | 2 | SPACER | |
| 28 | 453071 | 1 | PUMP DRIVE PULLEY | |
| 29A | 363216 | 1 | TAPER LOCK SHEAVE | |
| 29B | 823289 | 1 | TAPER LOCK SHEAVE (52" DECK) | |
| 30 | 363215 | 1 | 1" TAPER HUB | |
| 31 | 363212 | 1 | DRIVE BELT | |
| 32 | 523320 | 1 | FLAT BELT GUIDE | |
| 33A | 453161 | 2 | HYDRO PULLEY-TAPER LOCK | |
| 33B | 453117 | 2 | REPLACED BY 453161 & 423178 | 1 |

HYDRO WALK BEHIND REAR DECK ASSEMBLY

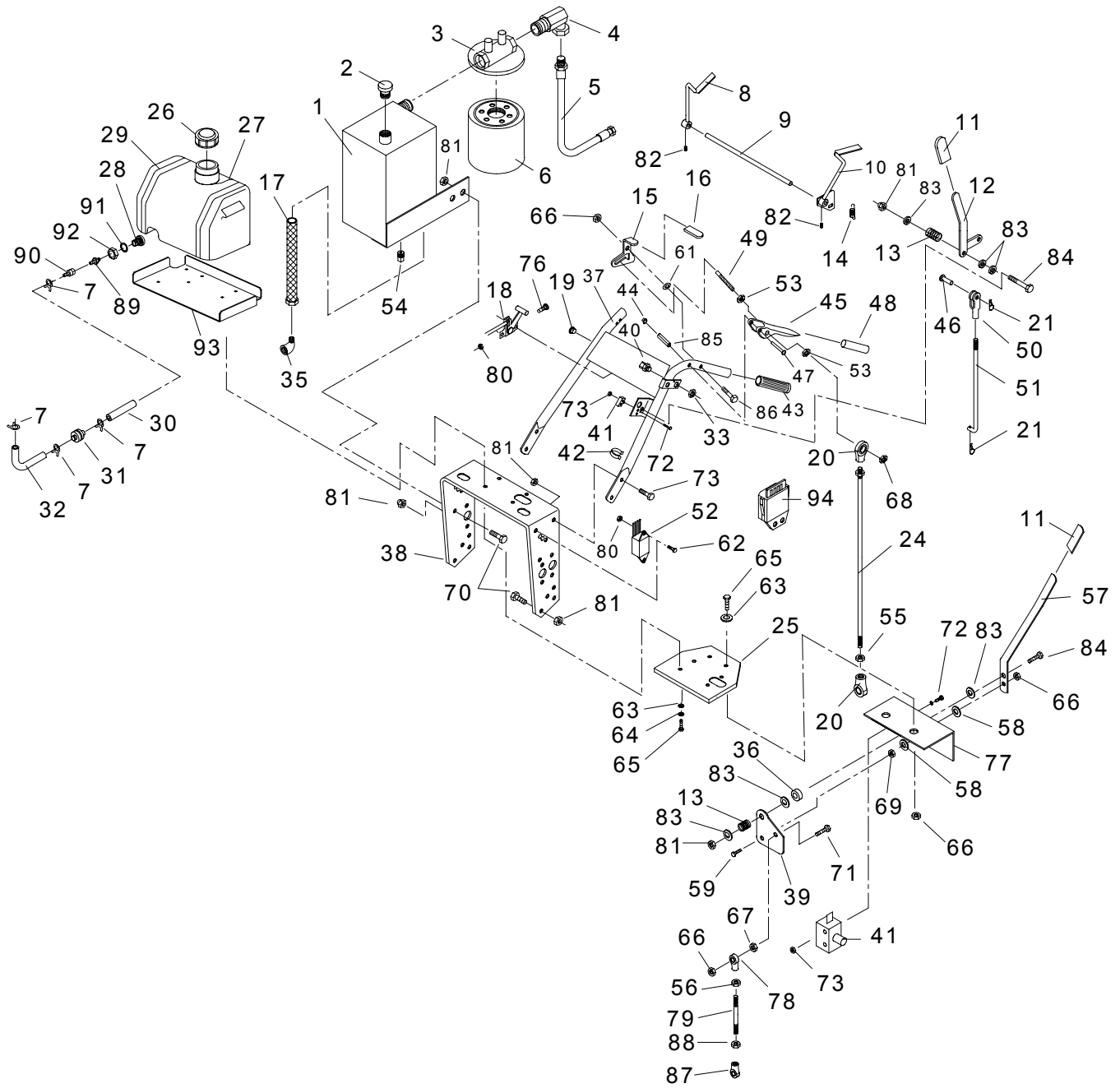
SEE NOTES

| # | PART NO. | QTY | DESCRIPTION | |
|----|----------|-----|-------------------------------------|---|
| 35 | 103023 | 10 | 1/2"-20 HEX LUG NUT | |
| 36 | 104256 | 5 | 5/16"-18 NYLOC HEX NUT | |
| 37 | 100271 | 1 | 5/16"-18 X 3/4" HEX BOLT | |
| 38 | 100273 | 3 | 5/16"-18 X 1" HEX BOLT | |
| 39 | 100239 | 4 | 3/8"-16 X 1 3/4" HEX BOLT | |
| 40 | 100334 | 8 | 1/2" X 3 1/2" HEX BOLT | |
| 41 | 105268 | 17 | 1/2" FLAT WASHER | |
| 42 | 104261 | 8 | 1/2"-13 NYLOC HEX NUT | |
| 43 | 363226 | 4 | SPRING DISC WASHER | |
| 44 | 100275 | 4 | 5/16"-18 X 1 1/2" HEX BOLT (BRIGGS) | |
| 45 | 109018 | 4 | 8MM-1.25 X 25MM HEX BOLT (KAW) | |
| 46 | 452026 | 2 | MOTOR EXTENSION | 2 |
| 47 | 105260 | 5 | 3/8" FLAT WASHER | |
| 48 | 100340 | 8 | 1/2"-13 X 6 1/2" HEX BOLT | 2 |
| 49 | 104257 | 5 | 3/8"-16 NYLOC HEX NUT | |
| 50 | 105503 | 6 | 1/4"-20 X 3/4" HEX BOLT | |
| 51 | 107012 | 2 | #808 WOODRUFF KEY | |
| 52 | 453102 | 2 | PUMP KEY | |
| 53 | 107262 | 1 | 1/4" SQ X 2 1/2" KEY | |
| 54 | 373054 | 2 | SPRING | |
| 55 | 483019 | 2 | IDLER WASHER | |
| 56 | 104751 | 2 | 5/16"-18 JAM NUT | |
| 57 | 109001 | 2 | 5/16"-18 WHIZLOCK NUT | |
| 58 | 453114 | 4 | MOTOR ADAPTER | |
| 59 | 453111 | 2 | PUMP INLET ADAPTER | |
| 60 | 453110 | 2 | PUMP INLET CONNECTOR | |
| 61 | 453087 | 2 | PUMP V | |
| 62 | 753028 | 1 | KNOB | |
| 63 | 363022 | 1 | ADJUSTMENT LEVER GRIP | |
| 64 | 363041 | 2 | SPACER | |
| 65 | 109007 | 2 | 3/8"-16 WHIZLOCK NUT | |
| 66 | 453139 | 1 | COLD START LEVER | |
| 67 | 483019 | 2 | IDLER WASHER | |
| 68 | 483017 | 1 | IDLER SPACER | |
| 69 | 453141 | 1 | COLD START ANGLE | |
| 70 | 107505 | 1 | 5/16"-18 X 3/4" HEX BOLT | |
| 71 | 393004 | 1 | PULLEY | |
| 72 | 100030 | 1 | 3/8"-16 X 3" HEX BOLT | |
| 73 | 423178 | 2 | TAPER LOCK HUB | |

NOTES:

- 1: Item refers to units prior to serial #30624
- 2: Item refers to units with Wide Track Option (Only)

HANDLE ASSEMBLY



HYDRO WALK BEHIND HANDLE ASSEMBLY

SEE NOTES

| # | PART NO. | QTY | DESCRIPTION | |
|-----|----------|-----|------------------------------------|---|
| 1A | 453163 | 1 | OIL TANK W/PLUG | |
| 1B | 453046 | 1 | REPLACED BY 453163,363297 & 104256 | 2 |
| 2 | 453042 | 1 | OIL TANK CAP | |
| 3A | 423064 | 1 | FILTER HEAD | |
| 3B | 453049 | 1 | FILTER HEAD | 2 |
| 4A | 423067 | 1 | FILTER ADAPTER 90 DEGREE | |
| 4B | 453021 | 1 | FILTER ADAPTER 90 DEGREE | 2 |
| 5A | 453126 | 1 | PUMP TO PUMP RETURN | |
| 5B | 453025 | 1 | PUMP TO PUMP RETURN | 2 |
| 6A | 423063 | 1 | FILTER | |
| 6B | 453048 | 1 | FILTER | 2 |
| 7 | 363098 | 4 | FUEL LINE CLAMP | |
| 8 | 362051 | 1 | RIGHT HAND O.P.C. LEVER | |
| 9 | 363157 | 1 | CONNECTING ROD | |
| 10 | 362053 | 1 | LEFT HAND O.P.C. LEVER | |
| 11 | 363022 | 2 | ADJUSTMENT LEVER GRIP | |
| 12 | 362058 | 1 | ENGAGEMENT LEVER W/GRIP | |
| 13 | 363024 | 2 | COMPRESSION SPRING | |
| 14 | 363155 | 1 | O.P.C. SPRING | |
| 15A | 452013 | 1 | LEFT THUMB LATCH | |
| 15B | 452014 | 1 | RIGHT THUMB LATCH | |
| 16 | 363069 | 2 | THUMB LATCH GRIP | |
| 17A | 583132 | 1 | SUCTION SCREEN | |
| 17B | 453043 | 1 | SUCTION SCREEN | 2 |
| 18A | 363352 | 1 | THROTTLE CONTROL | |
| 18B | 363268 | 1 | THROTTLE CONTROL | 1 |
| -- | ----- | - | (14HP KOH & KAW & 12HP BRIGGS) | |
| 18C | 603024 | 1 | THROTTLE CONTROL | 1 |
| -- | ----- | - | (16HP & 18HP BRIGGS ONLY) | |
| 19 | 363159 | 2 | PLASTIC BUSHING | |
| 20 | 453081 | 4 | ROD END | |
| 21 | 363165 | 2 | HAIRPIN COTTER | |
| 22 | 363262 | 1 | SWITCH MOUNT (VANGUARD) | |
| 23 | 363263 | 1 | THROTTLE SWITCH (VANGUARD) | |
| 24 | 453086 | 2 | DRIVE LINK | |
| 25 | 453096 | 1 | SPEED CONTROL MOUNT | |
| 26A | 583194 | 1 | FUEL CAP | |
| 26B | 363257 | 1 | FUEL CAP | 1 |
| 27 | 362087 | 1 | MODULAR FUEL TANK COMPLETE | |
| 28 | 363355 | 1 | BULKHEAD FITTING | |
| 29 | 363368 | 2 | FUEL TANK BELT | |
| 30A | 603032 | 1 | FUEL LINE | |

HYDRO WALK BEHIND HANDLE ASSEMBLY

SEE NOTES

| | | | | | |
|-----|--------|--|---|-----------------------------|---|
| 30B | 363099 | | 1 | FUEL LINE (V-TWINS) | 1 |
| 31 | 363032 | | 1 | FUEL FILTER | |
| 32 | 363228 | | 1 | SHORT FUEL LINE | |
| 33 | 363234 | | 1 | NUT - O.P.C. SWITCH | |
| 35A | 453116 | | 1 | .50 NPT ELBOW | |
| 35B | 453128 | | 1 | REDUCER BUSHING | 2 |
| 36 | 363097 | | 1 | SPACER | |
| 37A | 362085 | | 1 | HANDLE ASSEMBLY | |
| 37B | 362049 | | 1 | REPLACED BY 362085 & 363252 | 1 |
| 38 | 363148 | | 1 | LOWER HANDLE ASSEMBLY | |
| 39 | 453098 | | 1 | LINK PLATE | |
| 40 | 363208 | | 1 | O.P.C. SWITCH | |
| 41 | 363164 | | 2 | BLADE SWITCH | |
| 42 | 363221 | | 1 | CABLE CLIP | |
| 43 | 363218 | | 2 | HANDLE GRIP | |
| 44 | 363219 | | 2 | PUSH NUT | |
| 45 | 362059 | | 2 | DRIVE LEVER W/GRIP | |
| 46 | 363144 | | 1 | CLEVIS PIN - SMALL | |
| 47 | 363073 | | 2 | DRIVE LEVER PIN | |
| 48 | 363067 | | 2 | DRIVE LEVER GRIP | |
| 49 | 453084 | | 2 | LEVER STUD | |
| 50 | 363152 | | 1 | YOKE - SMALL | |
| 51 | 363150 | | 1 | UPPER CRANK LINKAGE | |
| 52 | 363372 | | 1 | SAFETY MODULE | |
| 53 | 104751 | | 4 | 5/16"-18 JAM NUT | |
| 54 | 103019 | | 1 | .50 NPT PLUG | |
| 55 | 104752 | | 4 | 5/16"-24 JAM NUT | |
| 56 | 104750 | | 4 | 1/4"-28 JAM NUT | |
| 57 | 452006 | | 1 | SPEED CONTROL LEVER W/GRIP | |
| 58 | 453063 | | 2 | PLASTIC WASHER | |
| 59 | 100256 | | 1 | 1/4"-20 X 1 1/2" HEX BOLT | |
| 61 | 105500 | | 4 | 1/4" WAVY WASHER | |
| 62 | 101039 | | 1 | #10-24 X 5/8" SCREW | |
| 63 | 105256 | | 4 | 1/4" FLAT WASHER | |
| 64 | 105004 | | 4 | 1/4" LOCK WASHER | |
| 65 | 100004 | | 4 | 1/4"-20 X 1" HEX BOLT | |
| 66 | 104255 | | 5 | 1/4"-20 NYLOC NUT | |
| 67 | 109000 | | 1 | 1/4"-20 WHIZLOCK NUT | |
| 68 | 104256 | | 4 | 5/16"-18 NYLOC NUT | |
| 69 | 109001 | | 1 | 5/16"-18 WHIZLOCK NUT | |
| 70 | 100292 | | 6 | 3/8"-16 X 1" HEX BOLT | |
| 71 | 100255 | | 1 | 1/4"-20 X 1 1/4" HEX BOLT | |
| 72 | 101252 | | 4 | #5-40 X 1" SCREW | |

HYDRO WALK BEHIND HANDLE ASSEMBLY

SEE NOTES

| | | | | | | |
|-----|--|--------|--|----|----------------------------------|--|
| 73 | | 104520 | | 4 | #5-40 HEX NUT | |
| 74 | | 101250 | | 2 | #4-40 X 3/4" SCREW | |
| 75 | | 104500 | | 2 | #4-40 HEX NUT | |
| 76 | | 101295 | | 2 | #10-24 X 1 1/2" SCREW | |
| 77 | | 453062 | | 1 | SPEED CONTROL BRACKET | |
| 78 | | 453070 | | 1 | .25 ROD END | |
| 79 | | 453137 | | 1 | ADJUSTABLE LINK | |
| 80 | | 104252 | | 3 | #10-24 NYLOC NUT | |
| 81 | | 104257 | | 14 | 3/8"-16 NYLOC NUT | |
| 82 | | 103292 | | 2 | 1/4"-28 X 1/4" SETSCREW | |
| 83 | | 105260 | | 3 | 3/8" FLAT WASHER | |
| 84 | | 100296 | | 1 | 3/8"-16 X 2" HEX BOLT | |
| 85 | | 106340 | | 2 | 5/16" X1" ROLL PIN | |
| 86 | | 100257 | | 2 | 1/4"-20 X 1 3/4" HEX BOLT | |
| 87 | | 453135 | | 1 | .25 ROD END LEFT HAND | |
| 88 | | 103018 | | 1 | 1/4"-28 LEFT HAND JAM NUT | |
| 89 | | 363353 | | 1 | FUEL COUPLER MALE | |
| 90 | | 363354 | | 1 | FUEL COUPLER FEMALE | |
| 91 | | 363370 | | 1 | O-RING | |
| 92 | | 104761 | | 1 | LEFT HAND NUT | |
| 93 | | 363360 | | 1 | TANK MOUNT | |
| 94A | | 453164 | | 1 | WIRE HARNESS - (14HP KAW) | |
| 94B | | 453160 | | 1 | WIRE HARNESS - (17HP KAW) | |
| 94C | | 453029 | | 1 | WIRE HARNESS - (BRIGGS VANGUARD) | |

NOTES:

- 1: Item refers to units prior to serial #28160
- 2: Item refers to units prior to serial #31078

CASTER ASSEMBLY



HYDRO DRIVE WALK BEHIND CASTER ASSEMBLY

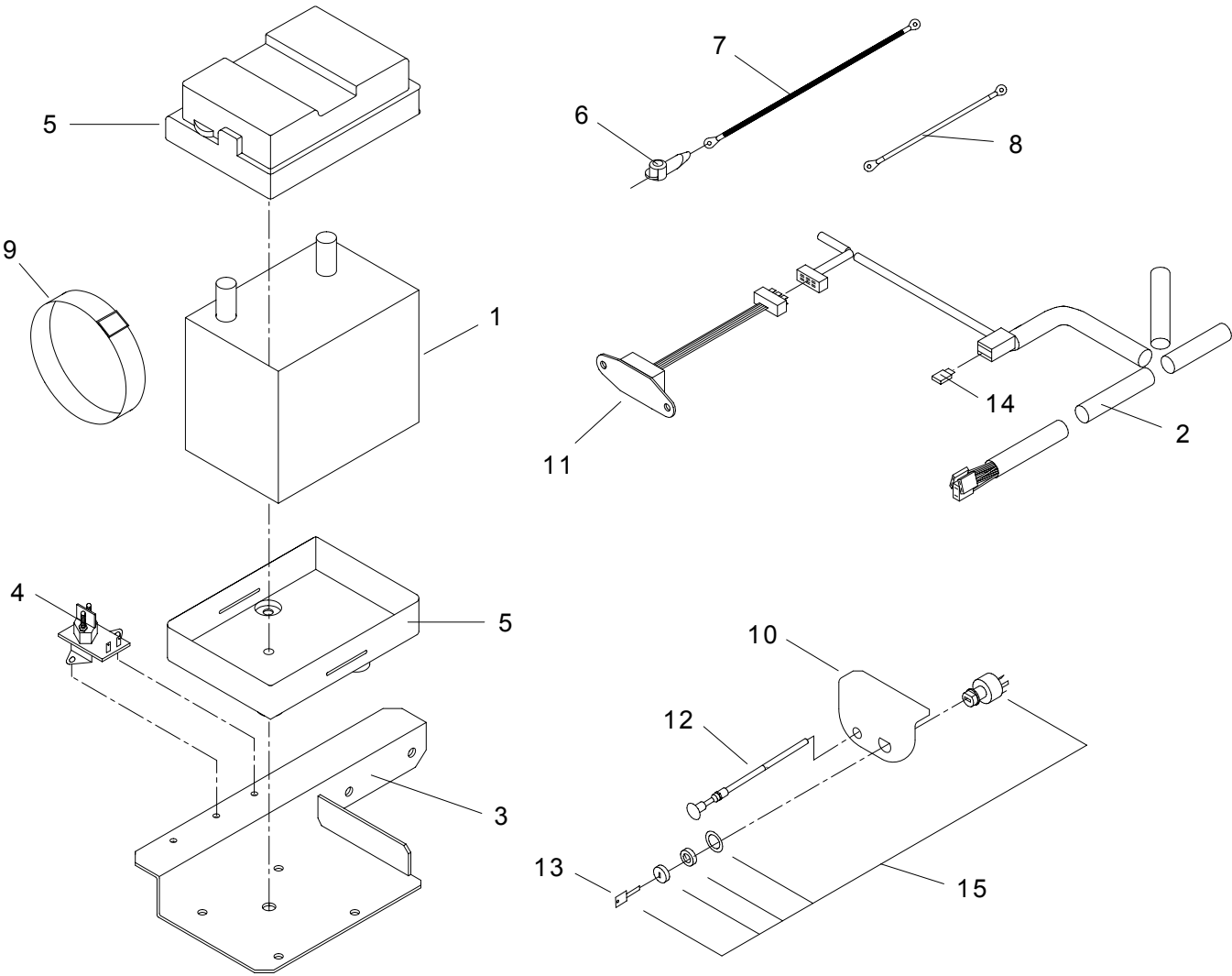
SEE NOTES

| # | PART NO. | QTY | DESCRIPTION | |
|-----|----------|-----|---------------------------|---|
| 1 | 363006 | 10 | CASTER SPACER | |
| 2 | 104259 | 2 | 1/2"-13 NYLOC NUT | |
| 3 | 362007 | 2 | CASTER SUPPORT W/BUSHINGS | |
| 4 | 111001 | 2 | GREASE ZERK | |
| 5 | 363007 | 4 | FLANGE BEARING | |
| 6 | 109020 | 1 | QUICK PIN | |
| 7 | 362081 | 2 | YOKE STRUT | |
| 8 | 363307 | 2 | AXLE TUBE | |
| 9A | 363011 | 4 | END CAP | 1 |
| 9B | 423201 | 4 | END CAP | |
| 10A | 363012 | 4 | ROLLER BEARING | 1 |
| 10B | 423200 | 2 | ROLLER BEARING | |
| 11 | 111005 | 2 | GREASE ZERK | |
| 12 | 363260 | 2 | SMOOTH TIRE AND TUBE | |
| 13 | 100339 | 2 | 1/2"-13 X 6" BOLT | |
| 14 | 363311 | 2 | WHEEL COMPLETE | |
| 15 | 362082 | 2 | CASTER ASSY COMPLETE | |

NOTES:

1: Item refers to units prior to serial #32300

ELECTRIC START ASSEMBLY



HYDRO DRIVE WALK BEHIND ELECTRIC START ASSEMBLY

SEE NOTES

| # | PART NO. | QTY | DESCRIPTION | |
|-----|----------|-----|--------------------------|---|
| 1 | 423142 | 1 | BATTERY | |
| 2A | 363373 | 1 | WIRE HARNESS (KAW) | |
| 2B | 363344 | 1 | WIRE HARNESS (BRIGGS) | |
| 3 | 322017 | 1 | BATTERY MOUNT BRACKET | |
| 4 | 423017 | 1 | STARTER RELAY | |
| 5 | 363345 | 1 | BATTERY CASE SET | |
| 6 | 423158 | 3 | TERMINAL INSULATOR | |
| 7 | 423118 | 1 | NEGATIVE CABLE | |
| 8A | 423116 | 1 | POSITIVE CABLE (SHORT) | |
| 8B | 423117 | 1 | POSITIVE CABLE (LONG) | |
| 9 | 363349 | 1 | BATTERY BELT | |
| 10 | 363341* | 1 | SWITCH ANGLE | 1 |
| 11 | 423030 | 1 | SAFETY MODULE | |
| 12A | 423153 | 1 | CHOKE CABLE (VANGUARD) | |
| 12B | 523027 | 1 | CHOKE CABLE (KAW) | 1 |
| 13 | 423209 | 1 | IGNITION KEY | |
| 14 | 523145 | 1 | 20 AMP FUSE | |
| 15 | 423027 | 1 | IGNITION SWITCH ASSEMBLY | |

NOTES:

1: Item refers to units prior to serial #28160

BELT DRIVE WALK BEHIND DECALS



1



2



3



4



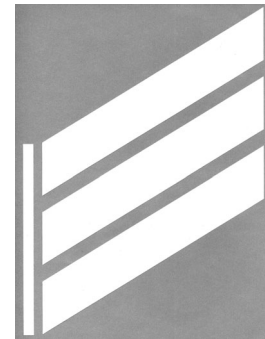
5



6



7



8



9



10



11



12



13



14



15



16



17



18

HYDRO WALK BEHIND DECALS

| # | PART NO. | QTY | DESCRIPTION |
|----|----------|-----|----------------------|
| 1 | 363369 | 1 | Premier Series Decal |
| 2 | 363037 | 1 | Cutter Blade Label |
| 3 | 363039 | 1 | Throttle Decal |
| 4 | 363040 | 2 | Neutral Lock Decal |
| 5 | 363038 | 1 | Caution/Instr. Label |
| 6 | 363001 | 1 | Caution Decal |
| 7 | 363023 | 1 | Danger Decal |
| 8 | 363232 | 1 | Encore Logo |
| 9 | 363231 | 1 | Encore Label |
| 10 | 363214 | 1 | Pro-Line Decal |
| 11 | 453011 | 1 | Ground Speed Label |
| 12 | 453010 | 1 | Oil Decal |
| 13 | 453012 | 1 | Encore Hydro Label |
| 14 | 323039 | 1 | Hydro Pro 32 Decal |
| 15 | 363357 | 1 | Hydro Pro 36 Decal |
| 16 | 483076 | 1 | Hydro Pro 48 Decal |
| 17 | 523494 | 1 | Hydro Pro 52 Decal |
| 18 | 603058 | 1 | Hydro Pro 60 Decal |

Notes:

Notes:

Notes:

