

Parts Catalog



ENCORE

EW28S EW32S

Commercial Mower



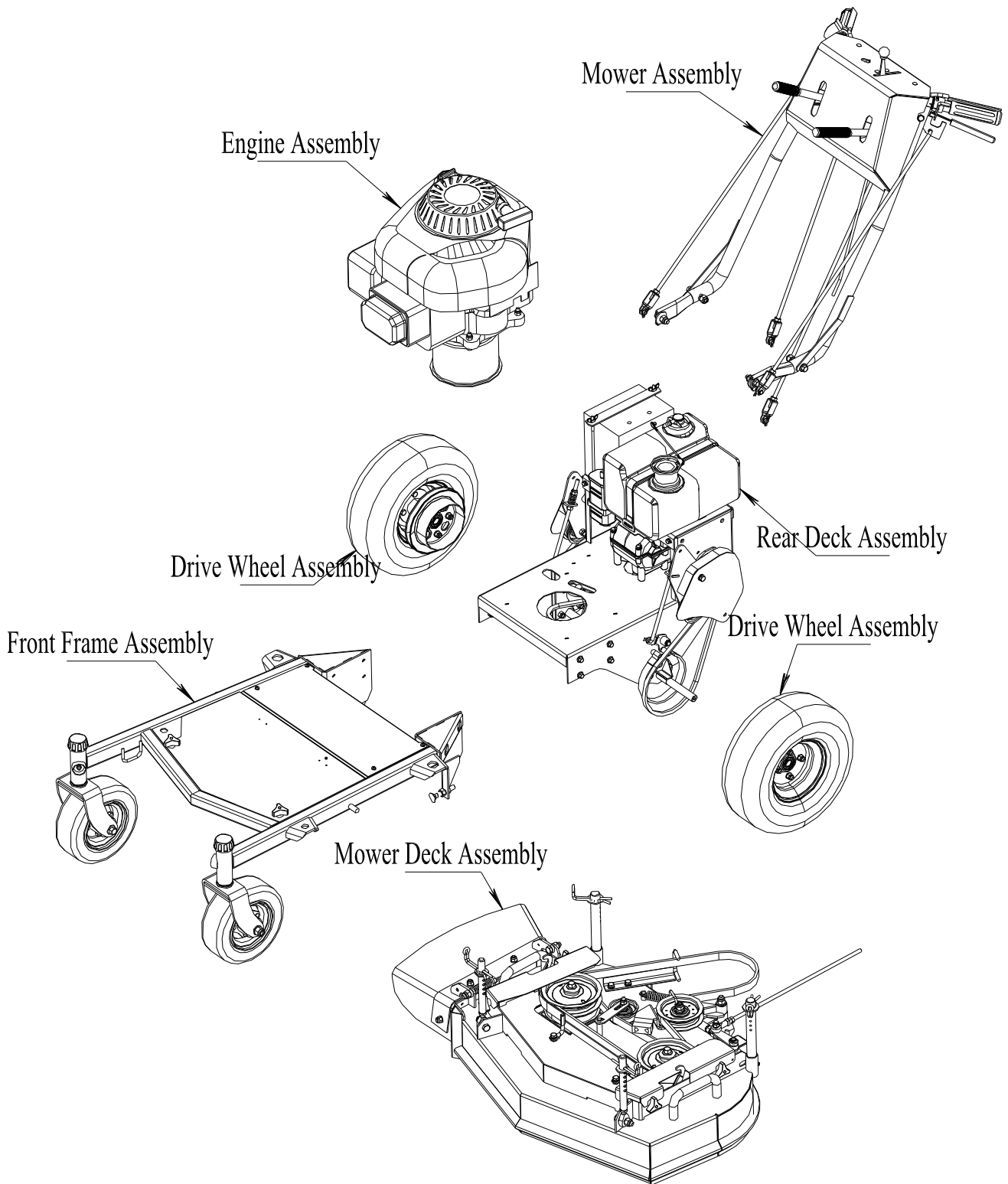
Encore Power Equipment, Inc.

401 N. Commerce Street, Beatrice, NE 68310

Toll Free Number: 1-800-267-4255

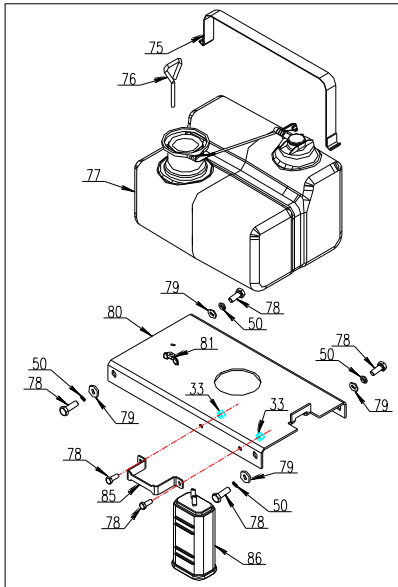
Content

Mower Assembly.....	1
Mower Deck Assembly.....	2
Rear Deck Assembly.....	4
Engine Assembly.....	6
Front Frame Assembly	7
Drive Wheel Assembly.....	9
Handle Assembly	10
Electric Start-Up Wiring Harness	11
Recoil Start-up Wiring Harness.....	12
Decals	13

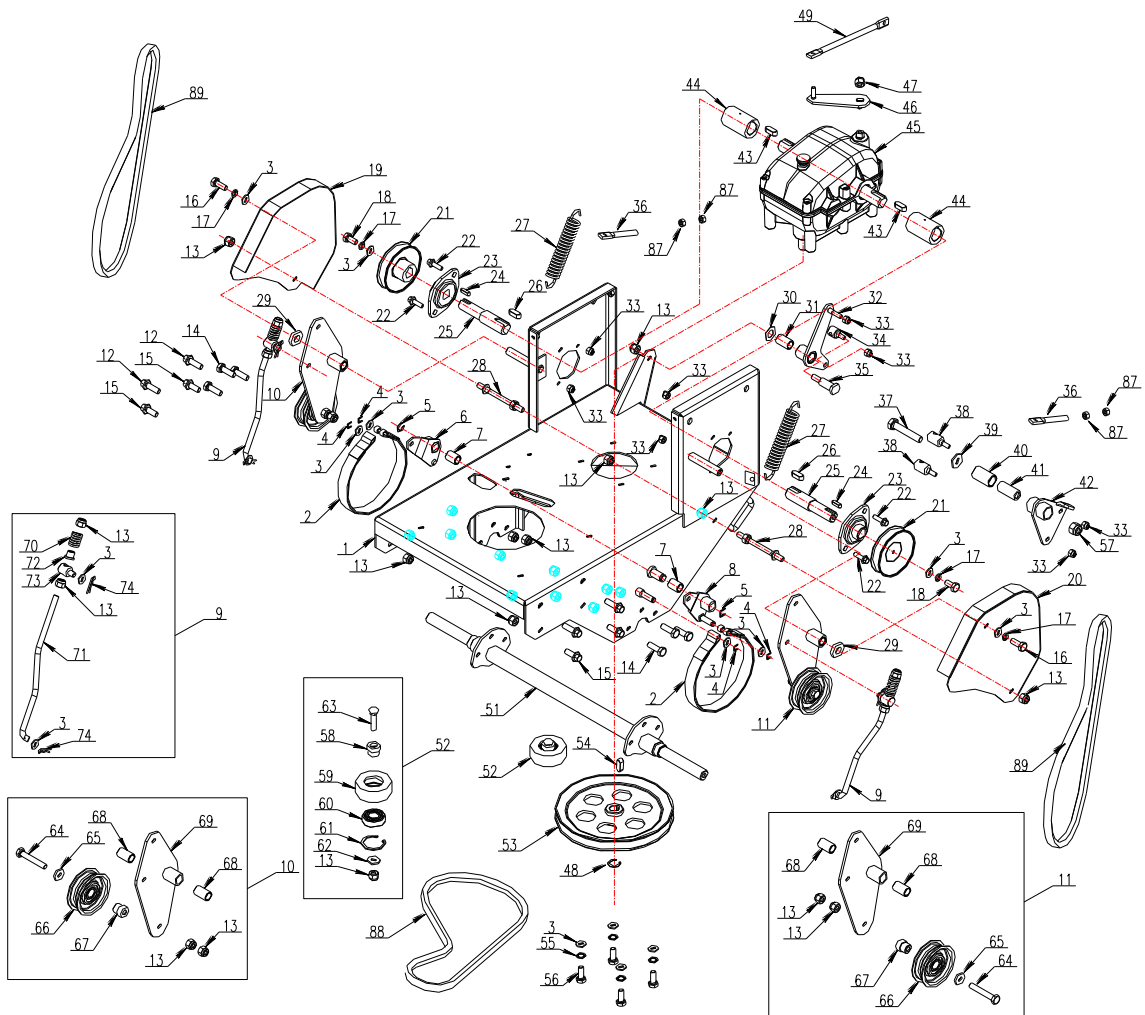
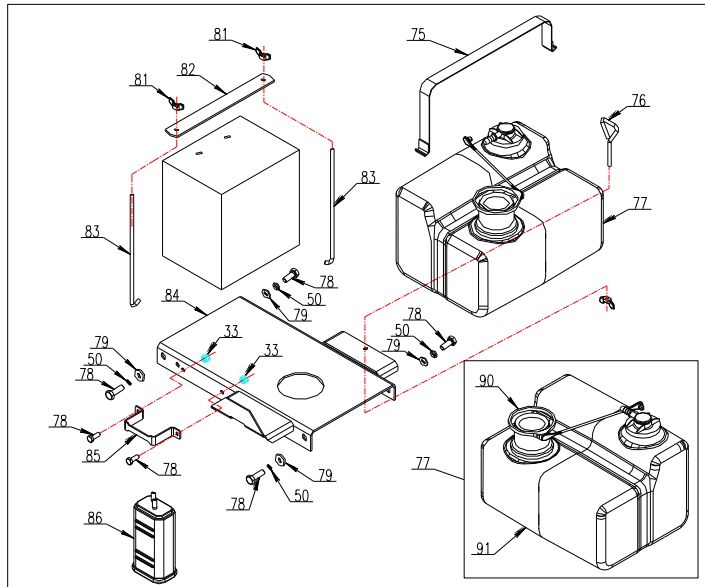


Ref.	Parts NO.	Description	QTY	28S	32S	Ref.	Parts NO.	Description	QTY	28S	32S
1	2832150	Deck Weldment	1	×		43	3202260	IDLER ARM	1	×	×
	3210150	Deck Weldment	1		×	44	2802086	Spacer	1	×	×
2	2832090	Blade Spindle Assembly	2	×	×	45	3202023	Spacer	1	×	×
3	2802016	Blade	2	×		46	B9163-SIBJK8C	Rod End Bearing	1	×	×
	3202004	Blade	2		×	47	B5783-10080	Bolt M10×80	1	×	×
4	3302008	Disc Spring Washer	2	×	×	48	3202013	Flange Bushing	1	×	×
5	B5786-12030-109G	Bolt M12×30 G10.9	4	×	×	49	2832130	Idler Pulley ASM	1	×	
6	B97.1-08	Flat Washer M8	20	×	×		32 0076	Idler Pulley ASM	1		×
7	B6182-08	Locknut M8	15	×	×	50	3302058	Washer M10	1	×	×
8	B801-08060	Bolt M8×60	1	×	×	51	3202021	Spring	1	×	×
9	2802143	Bushing	1	×	×	52	2802011	Synchronous Pulley	2	×	×
10	2802130B	Idler Pulley Assembly	1	×	×	53	2802010	Synchronous Belt 1072-8M	1	×	
11	2800006	Flat Washer M8	1	×	×		3202008	Timing Belt	1		×
12	B6170-08	Locknut M8	1	×	×	54	B1096-08022	Key 8×22	4	×	×
13	2802001	Linking Plate	1	×	×	55	2832250	Blade Drive Pulley	2	×	
14	3202120	Discharge Chute Cover Assembly	1	×	×		3210210	Blade Drive Pulley	2		×
15	B6182-10	Locknut M10	5	×	×	56	2832085A	Blade Drive Belt 32S	1		×
16	3202001	Spring	1	×	×		2832085B	Blade Drive Belt 28S	1	×	
17	B5782-10090	Hex Hd Bolt M10×90	1	×	×	58	3307004	Washer M11	2	×	×
18	2832185	Right Deck Hook Weldment	1	×		59	2832182	BLADE SPACER	2	×	×
19	3202024	Bushing	2	×	×	60	B5783-10035	Hex Hd Bolt M10×35	2	×	×
20	3202018	Right Torsion Spring	1	×		61	B6172-10	Nut M10	2	×	×
21	B97.1-12	Flat Washer M12	2	×	×	62	3200008	Washer	3	×	×
22	B896-09	Snap Ring M9	3	×	×	63	3202091	Height Adjustment Rod Front	2	×	×
23	3202017	Left Torsion Spring	1	×		64	4800007	Height Adjustment Pin, LH	4	×	×
	3202017	Left Torsion Spring	2		×	65	2832163	Height Adjustment Rod Rear	2	×	
24	2832184	Left Deck Hook Weldment	1	×			3210180	Height Adjustment Rod Rear	2		×
	2832184	Left Deck Hook Weldment	2		×	66	3600005	Washer 1	2	×	×
25	B93-08	Spacer	6	×	×	67	B879.1-08032	Spring pin 8X32	2	×	×
26	B5783-08020	Bolt M8×20	4	×	×	68	B5783-10030	Hex Hd Bolt M10×30	1	×	×
27	2832142	Belt Housing Weldment, Right	1	×		69	3333012	Blade Engage Control Rod	1	×	×
	3210195	Belt Housing Weldment, Right	1		×	70	B93-12	Washer 12	2	×	×
28	2832140	Belt Housing Weldment, Left	1	×		71	2832145	Blade Spindle	1	×	×
	3210190	Belt Housing Weldment, Left	1		×	72	B893.2-52	Snap Ring M52	2	×	×
29	3302190	Three-Arm Knob	4	×	×	73	B276-6205-2RS	Bearing 6205-2RS	2	×	×
30	2832162	Right Belt Cover	1	×		74	2832146	Bushing	1	×	×
	3210182	Right Belt Cover	1		×	75	2832147	Spindle Housing	1	×	×
31	2832161	Left Belt Cover	1	×		76	3302058	Washer M10	1	×	×
	3210181	Left Belt Cover	1		×	77	3202161	Belt Guide	1	×	×
32	B5787-08025	Bolt M8×25	8	×	×	78	2832083	Idler Pulley	1	×	×
33	B5787-08016	Bolt M8×16	1	×	×	79	2832131	Idler Pulley Weldment	1	×	
34	2832190	Belt Bracket Weldment	1	×	×		3210075	Idler Pulley Weldment	1		×
35	2802131	Bushing	4	×	×	80	B6182-05	Nut M5	2	×	×
36	2802089	Dust Cover	2	×	×	81	B97.1-05	Flat Washer M5	2	×	×
37	2802084B	Connecting Rod	1	×	×	82	2832135	Brake Pad	1	×	×
38	3602017A	Compression Spring	1	×	×	83	B819-05025	Screw M5*25	2	×	×
39	3202022	Bushing	1	×	×	84	B2685-162025	Oilite Bronze Bearing 16×20×25	2	×	×
40	B6170-10	Nut M10	1	×	×	85	3202123	Deflector Shield Weldment	1	×	×
41	3202012	Connecting Rod	1	×	×	86	3202121	Deflector Shield	1	×	×
42	B5783-08045	Bolt M8×45	1	×	×	87	3202122	Deflector Shield Support Bracket	1	×	×
						88	B801-08025	Hex Hd Bolt M8×25	4	×	×

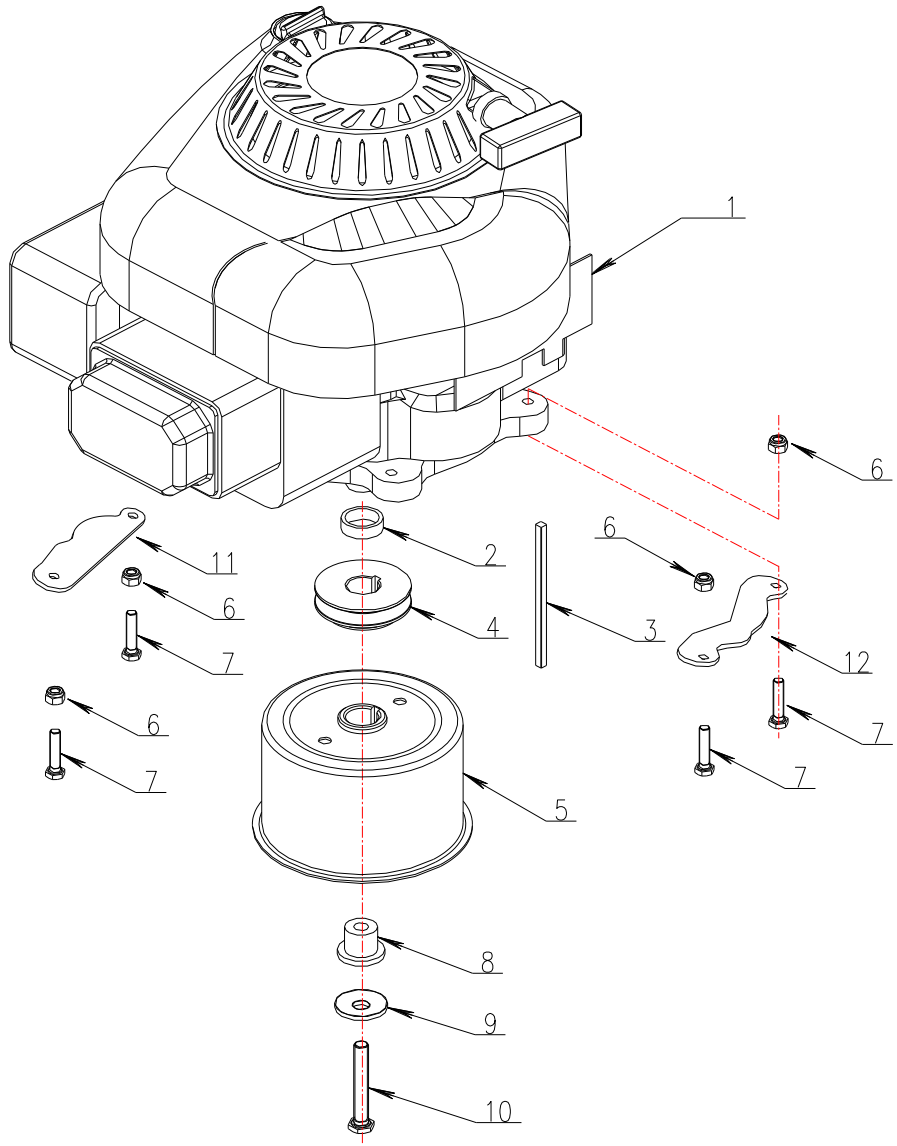
Recoil Start



Electric Start

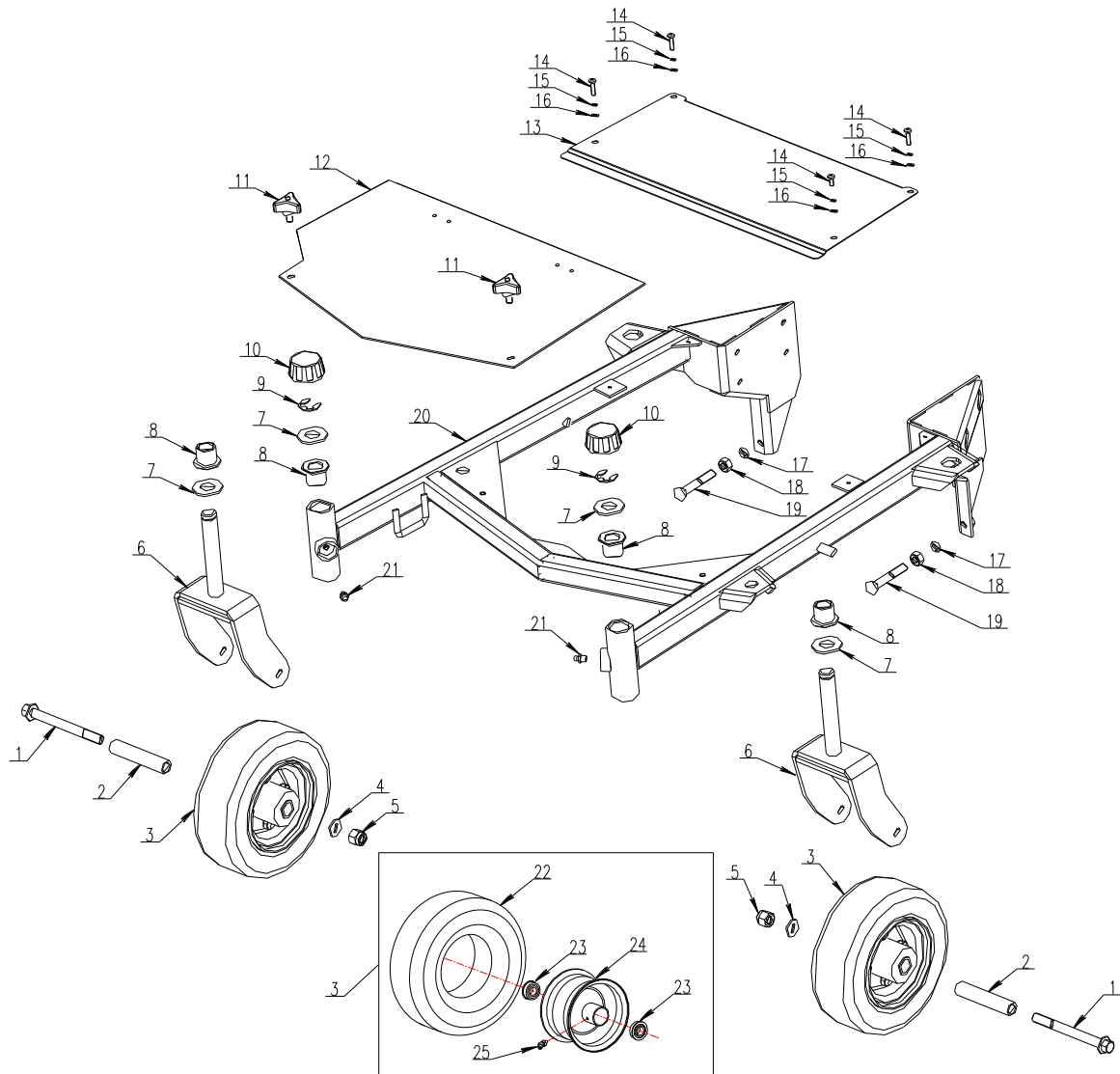


Ref.	Parts NO.	Description	QTY	R	E	Ref.	Parts NO.	Description	QTY	R	E
1	2833035	Rear Deck	1	×	×	47	4802010	Nut 3/8-24 UNF	2	×	×
2	2833011	Brake Band	2	×	×	48	B894.1-16	Snap Ring M16	1	×	×
3	B97.1-8	Spacer	18	×	×	49	2833012	Rod	1	×	×
4	B896-06	Snap Ring M6	4	×	×	50	B93-06	Spacer 6	6	×	×
5	B896-08	Snap Ring M8	2	×	×	51	2833001	Axle Weldment	1	×	×
6	2803008	Brake Lever Weldment, Left	1	×	×	52	2833072	Idler Pulley ASM	1	×	×
7	3303141	Nylon Bushing	2	×	×	53	2833050	Transmission Input Pulley	1	×	×
8	2803012	Brake Lever Weldment, Right	1	×	×	54	B1096-0514	Square Key 5×14	1	×	×
9	2833071	ASM,Brake Link	2	×	×	55	B861.1-08	Spacer 8	6	×	×
10	2833030	Idler Pulley Assembly	1	×	×	56	3300106	Hex Hd Bolt 5/16-18×3/4	6	×	×
11	2833070	Idler Pulley Assembly	1	×	×	57	B6182-10	Locknut M10	1	×	×
12	B5787-08025	Bolt M8×25	4	×	×	58	3203007	Bushing	1	×	×
13	B6182-8	Nut M8	28	×	×	59	2803011	Idler Pulley	1	×	×
14	B5783-08025	Hex Hd Bolt M8×25	6	×	×	60	B276-6003	Bearing6003-2RS	1	×	×
15	B5787-08020	Bolt M8×20	4	×	×	61	B893.1-35	Snap ring M35	1	×	×
16	B5783-08020	Bolt M8×20	8	×	×	62	3303018	Washer	1	×	×
17	B93-08	Spacer	4	×	×	63	B12-08035	Hex Hd Bolt M8×35	1	×	×
18	B5783-08016	Hex Hd Bolt M8×16	2	×	×	64	B5783-08050	Hex Hd Bolt M8×50	2	×	×
19	3203085	Right Belt Cover	1	×	×	65	2800006	Flat Washer M8	2	×	×
20	3203080	Left Belt Cover	1	×	×	66	2800034	Idler Pulley Assembly	2	×	×
21	2833005	Drive Pulley Assembly	2	×	×	67	2800035	Bushing	2	×	×
22	B5787-06020	Bolt M6×20	4	×	×	68	3303023	Nylon Bushing	4	×	×
23	B7810-UBPFL203	Bearing UBPFL203	2	×	×	69	2833031	Tensioner Arm Weldment	2	×	×
24	B1096-0518	Square Key 5×18	2	×	×	70	2800017	Compression Spring	2	×	×
25	2833020	Output Shaft	2	×	×	71	3203010	Brake Lever	2	×	×
26	B1096-0420	Key 4X20	2	×	×	72	2806010	Nylon bushing	2	×	×
27	3333068	Tension Spring	2	×	×	73	3203011	Swivel Joint	2	×	×
28	2833013	Connecting Screw	2	×	×	74	XSZ56-1-17	Hair Pin	4	×	×
29	2833034	Bushing	2	×	×	75	2833025	Fuel Tank Pressing Strap	1	×	×
30	2806061	Disc Spring Washer M12	1	×	×	76	2833024	Rod weldment	1	×	×
31	3303023	Nylon Bushing	1	×	×	77	2837040	Fuel Tank ASM W/CAP	1	×	×
32	2803007	Shift Pivot Arm Weldment	1	×	×	78	B5783-06016	Hex hd bolt M6×16	6	×	×
33	B6182-6	Nut M6	10	×	×	79	B97.1-6	Spacer 6	4	×	×
34	3306015	Gear Shift Connector	1	×	×	80	2833022	TANK SADDLE	1	×	
35	2806055	Axis Pin	1	×	×	81	B62-06	Nut 6	1	×	
36	B5783-08030	Hex Hd Bolt M8x30	2	×	×		B62-06	Nut 6	2		×
37	B5782-10055	Hex Hd Bolt M10×55	1	×	×	82	2833064	Battery Strap	1		×
38	2800019	Swivel Joint	2	×	×	83	2833065	Battery Rod	2		×
39	3302058	Washer M10	1	×	×	84	2833060	TANK SADDLE	1		×
40	3303037	Bushing	1	×	×	85	3206112	Carbon Canister Bracket	1	×	×
41	2803016	Bushing	1	×	×	86	3206114	Carbon Canister	1	×	×
42	3203138	Driver Engage Lever Weldment	1	×	×	87	B6170-08	Locknut M8	4	×	×
43	B1099.1-0419	Key 4X7.5X19	2	×	×	88	3300003A	Belt	1	×	×
44	2833021	Bushing	2	×	×	89	3600003A	Belt	2	×	×
45	2834000	Transmission Assembly	1	×	×	90		Fuel tank cap	1	×	×
46	2833055	Shift Pivot Arm	1	×	×	91		Fuel Tank ASM	1	×	×



Ref.	Parts NO.	Description	QTY	28S	32S
1		Engine	1	×	×
2	3607002	Bushing	1	×	×
	3207002	Spacer (Honda)	1		×
3	2837037	key	1	×	×
4	3607009	Transmission Drive Pulley	1	×	×
5	2837089B	Engine Pulley	1	×	
	3207030	Engine Pulley	1		×
6	B6182-08	Locknut M8	4	×	×
	B6182-08	Locknut M8	2		×

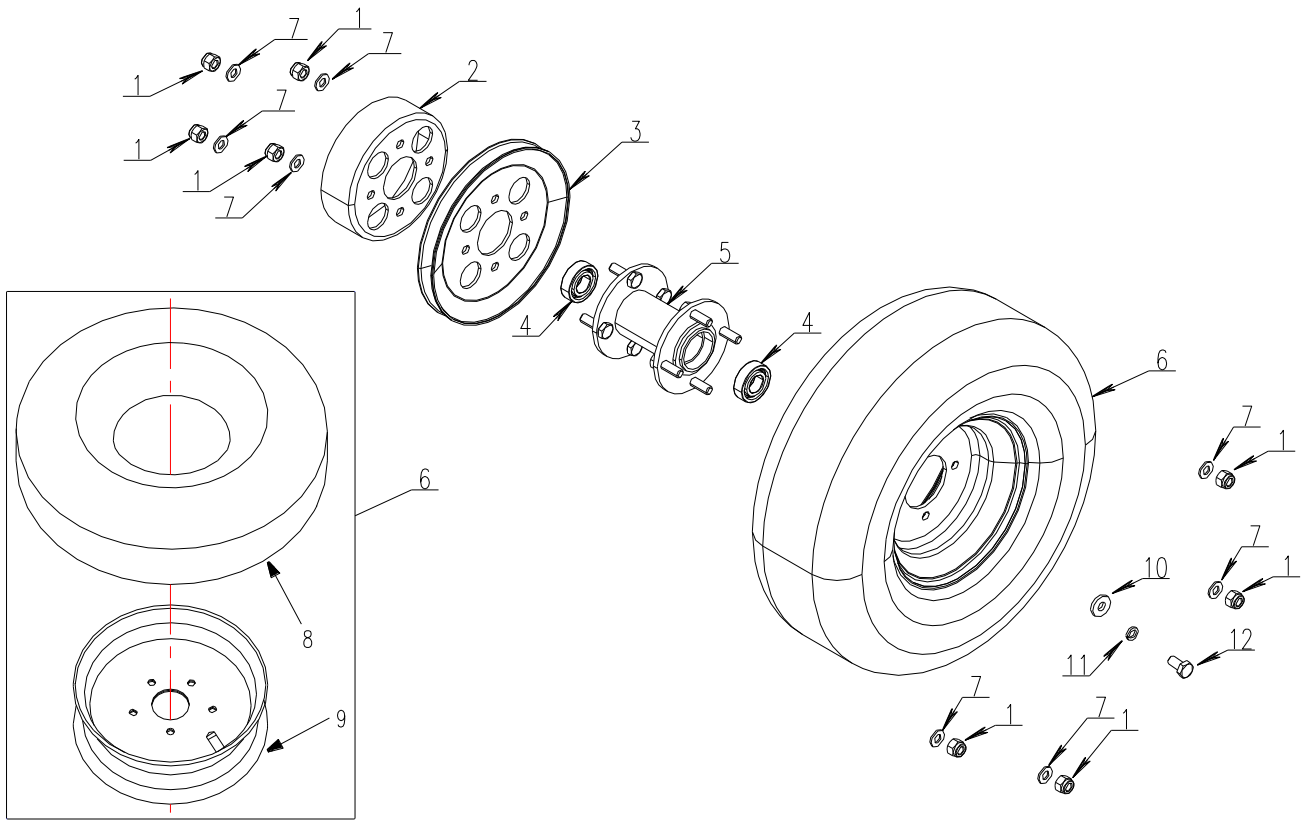
Ref.	Parts NO.	Description	QTY	28S	32S
7	B5783-08040	Hex Hd Bolt M8×40	4	×	×
	B5783-08045	Bolt M8×45	2		×
	2200020A	Engine Bolt (Honda)	2		×
8	2837036	Bushing	1	×	×
9	3307011	Disc Spring Washer	1	×	×
10	2807016B	Bolt 7/16-20UNF×3-1/2	1	×	×
11	2803080	Right Backing Plate(Honda)	1		×
12	2803079	Left Backing Plate (Honda)	1		×



Ref.	Parts NO.	Description	QTY
1	B5787-12120	Bolt M12×120	2
2	2831055	Caster Wheel Spindle	2
3	2831101	Front Wheel 8"×3"	2
4	B97.1-12	Flat Washer M12	2
5	B6182-12	Locknut M12	2
6	3201010	Caster Wheel Yoke	2
7	3201005	Washer	4
8	3301003	Olite bronze bushing	4
9	B896-15	Snap Ring M15	2
10	3200011	Cover	2
11	3302190	Three-Arm Knob	2
12	2831050	Front Cover Plate	1
13	2831052	Rear Shield	1

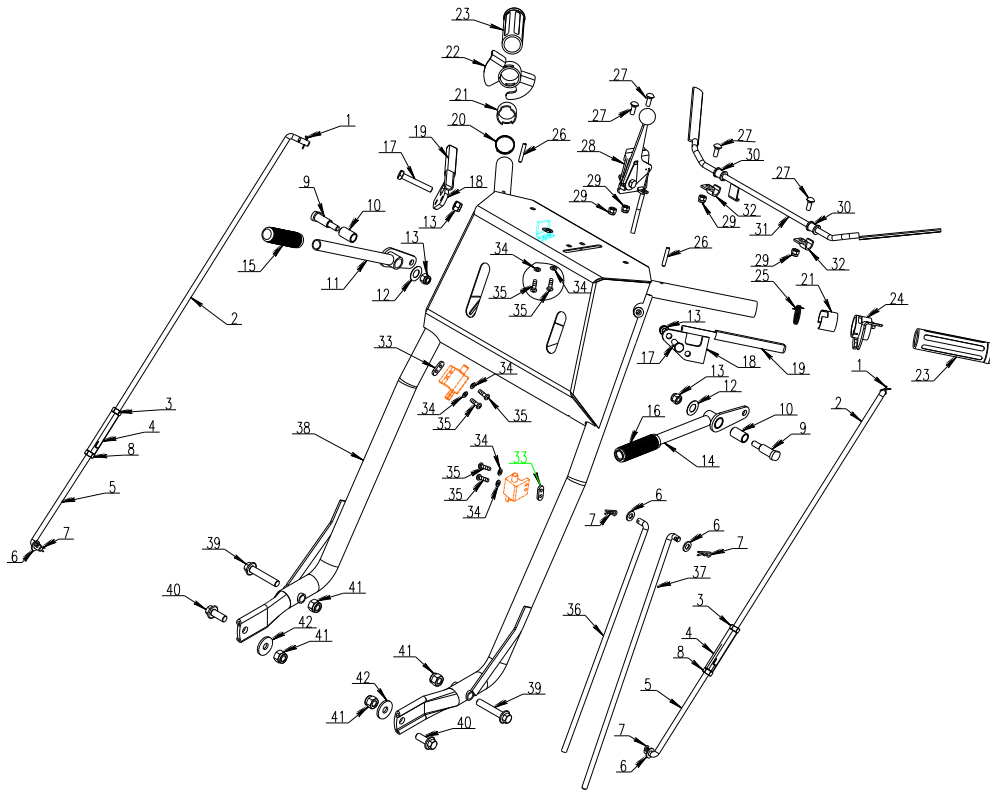
Ref.	Parts NO.	Description	QTY
14	B818-05010	Screw M5×10	4
15	B93-05	Spacer 5	4
16	B97.1-05	Flat Washer M5	4
17	B93-10	Washer	2
18	B6170-10	Nut M10	2
19	3603015	Bolt M10	2
20	2831030	Front Frame	1
21	JB7940.1-08	Grease Fitting M8×1	2
22	2831102	Tire	1
23	2831103	Bearing	2
24	2831104	Rim	1
25	2831105	grease fitting	1

Drive Wheel Assembly



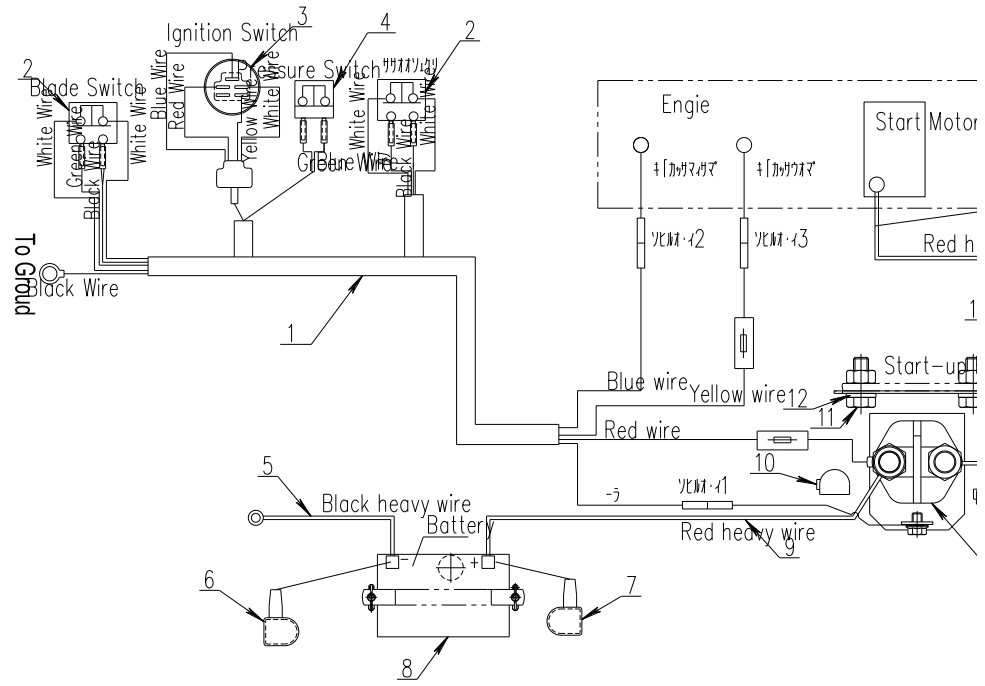
Ref.	Parts NO.	Description	QTY
1	B6182-08	Locknut M8	8
2	2805003	Brake Drum	1
3	2833131	Drive pulley	1
4	B276-6003-2RS	Bearing 6003-2RS (B276-60032RS)	1
5	3205210	WHEEL HUB	1
6	3205201	Drive Wheel ASM	1
7	B97.1-08	Flat Washer M8	8
8	3205202	Tire	1
9	3205203	Rim	1
10	2800006	Flat Washer M8	1
11	B93-08	Spacer	1
12	B5783-08016	Hex Hd Bolt M8×16	1

Handle Assembly

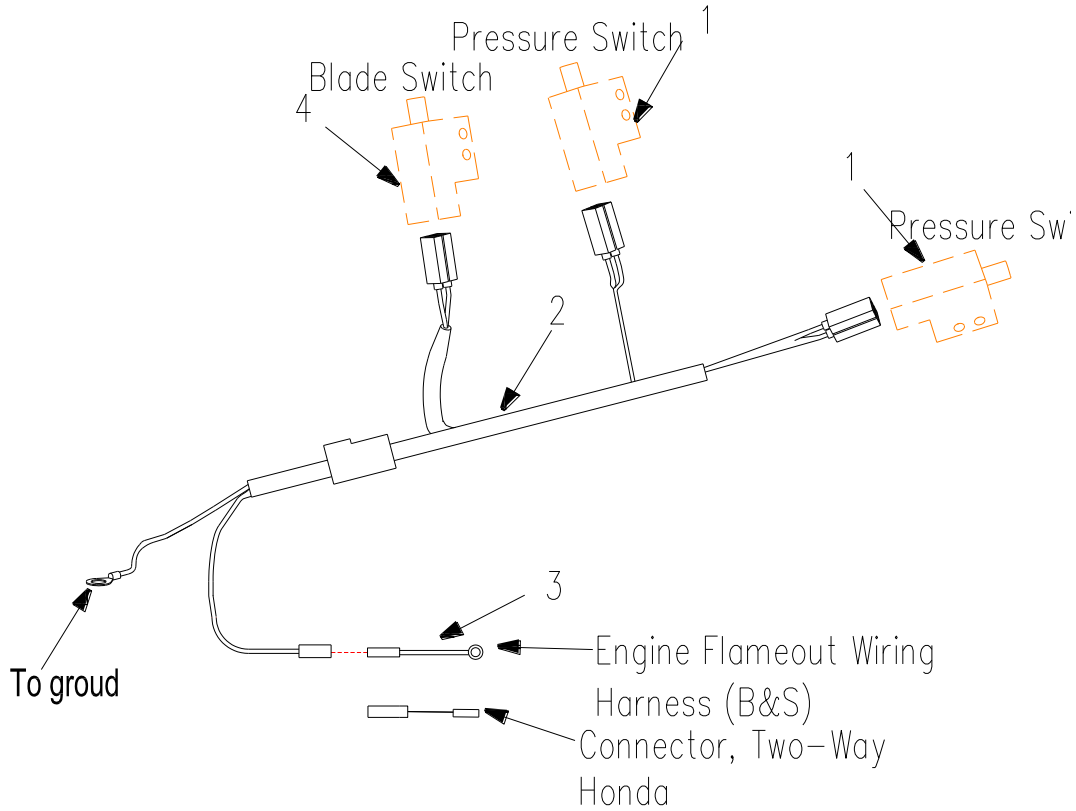


Ref.	Parts NO.	Description	QTY	Ref.	Parts NO.	Description	QTY
1	2ZS6-049001	Pin	2	23	3306005	Handle Grip	2
2	2836003	Upper Brake Control Rod	1	24	2836036	Neutral Latch-LH	1
3	B6170-08	Locknut M8	2	25	3206010	Left Torsion Spring	1
4	2836005	Adjustable Lever	2	26	B879-05030	Pin 5×30	2
5	2836004	Low Brake Control Rod	2	27	B801-06016	Hex Hd Bolt M6×16	4
6	B97.1-08	Flat Washer M8		28	2836020	Throttle Control Assembly(BS)	1
7	XSZ56-1-17	Hair Pin	2		2836028	Throttle Control Assembly(HD)	1
8	B6170-08L	Nut M8 ,Levo	2	29	B6182-06	Locknut M6	4
9	2806055	Axis Pin	2	30	3206005	Nylon Bushing	2
10	3303023	Nylon Bushing	2	31	3206040	Operator Presence Control Handle	1
11	2836007	Gear Shift Lever	1	32	3206004A	Nylon Bushing Bracket	2
12	2806061	Disc Spring Washer M12	2	33	5208103	Nut Plate	2
13	B6182-08	Locknut M8	4	34	B97.1-05	Flat Washer M5	6
14	2836044	Blade Drive Lever	1	35	B823-05016	Screw M5×16	6
15	5206012	Brake Lever Grip	1	36	3206006	Shift Control Rod	1
16	2836006	Brake Lever Grip	1	37	2836002	Blade Engage Control Rod	1
17	B5782-08050	Hex Hd Bolt M8×50	2	38	2836030A	HANDLE - CONSOLE	1
18	2836008	Steering Lever Weldment	2	39	B5787-10055	Bolt M10×55	2
19	2806097	Handle Grip	2	40	B5787-10025	Bolt M10×25	2
20	3206011	Right Torsion Spring	1	41	B6182-10	Locknut M10	4
21	3206033	Bushing	2	42	2836013	Washer	2
22	2836041	Neutral Latch-RH	1				

Electric Start-Up Wiring Harness




Ref.	Parts NO.	Description	QTY	28S	32S
1	2838011A	Wiring	1	×	×
	3208061A	Wiring	1	×	×
2	5208015	Parking Brake Switch	2	×	×
3	T005005	Ignition Switch	1	×	×
4	5208012	Pressure Switch	1	×	×
5	5008008	Negative Cable	1	×	×
6	3312031	Battery Boot (Negative)	1	×	×
7	3312032	Battery Boot (Positive)	1	×	×
8		Battery	1	×	×
9	3208062	Positive pole Cable(B&S)	1	×	×
	2808103	Positive pole Cable	1	×	×
10	2808107	Relay Cable Cover	3	×	×
11	B5787-06016	Bolt M6X16	2	×	×
12	B93-06	Spacer 6	2	×	×
13	2838014	Start-up Relay	1	×	×
14	5008006	Wire to Motor	1	×	×



Ref.	Parts NO.	Description	28S	32S
1	5208012	Pressure Switch	×	×
2	2838001	Wiring	×	×
3	2808014	Engine Flameout Wiring Harness (B&S)	×	×
	2808016	Connector, Two-Way (Honda 11HP)	×	×
4	2808005	Blade Switch	×	×

WARNING


Do not hang the hook on the front frame when in transportation and moving or could result in damage to machine.



1

WARNING

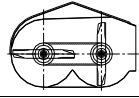
Do not hang the hook on the front frame when in transportation and moving or could result in damage to machine.



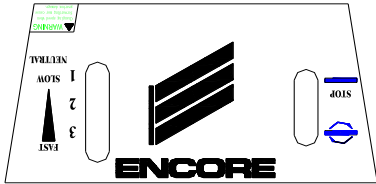
2

CAUTION

Be sure the both blades must be perpendicular to each other while installing otherwise could result in serious mower damage.



3

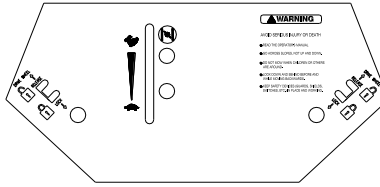


ENCORE

1 SLOW
2
3 FAST

STOP

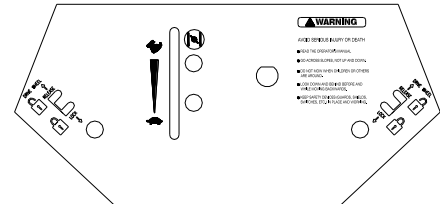
4



WARNING

- NEVER CLEAN UP DEBRIS
- NEVER OPERATE MOWER WITH GUARD DOWN
- NEVER OPERATE MOWER WITH GUARD UP
- NEVER OPERATE MOWER WITH GUARD DOWN
- NEVER OPERATE MOWER WITH GUARD UP
- NEVER OPERATE MOWER WITH GUARD DOWN
- NEVER OPERATE MOWER WITH GUARD UP

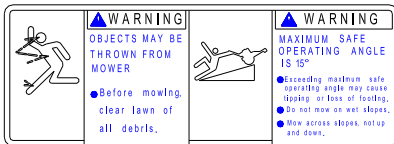
5



WARNING

- NEVER CLEAN UP DEBRIS
- NEVER OPERATE MOWER WITH GUARD DOWN
- NEVER OPERATE MOWER WITH GUARD UP
- NEVER OPERATE MOWER WITH GUARD DOWN
- NEVER OPERATE MOWER WITH GUARD UP
- NEVER OPERATE MOWER WITH GUARD DOWN
- NEVER OPERATE MOWER WITH GUARD UP

6



WARNING
OBJECTS MAY BE THROWN FROM MOWER

- Before mowing, clear lawn of all debris.

WARNING
MAXIMUM SAFE OPERATING ANGLE IS 15°

- Exceeding maximum safe operating angle may cause tipping or loss of footing.
- Do not mow on wet slopes.
- Mow across slopes, not up and down.

7

WORLDAWN POWER EQUIPMENT, INC

MODEL NO:

SERIAL NO:

MADE IN CHINA

8

EMISSION CONTROL INFORMATION

JIANGSU WORLD PLANT-PROTECTING MACHINERY CO., LTD

THIS EQUIPMENT MEETS U.S. EPA EVAP STANDARDS

EQUIPMENT FAMILY NAME:BJWPPNHEQ001

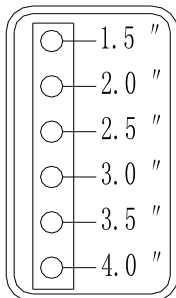
9

CAUTION

TO REDUCE THE RISK OF INJURY DO NOT OPERATE MOWER UNLESS THIS GUARD IS IN ITS PROPER PLACE



10



1.5"
2.0"
2.5"
3.0"
3.5"
4.0"

11

DANGER

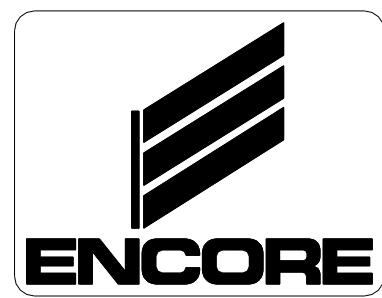


SPINNING BLADE
KEEP CLEAR
CONTACT CAN INJURE

12

28

13



ENCORE

14

32

15

EPA-SUT-002
CARB E.O.Q-12-014
EPA/CARB COMPLIANT

16

Ref	P/N	Description	28X	32X
1	8932	Decal, Warning Do Not Hang	x	x
2	8931	Decal, Warning Do Not Hang	x	x
3	8070	Caution Blade Installation Decal	x	x
4	8382	Decal, Panel	x	x
5	8928	Decal, Throttle Recoil	x	
6	8930	Decal, Throttle Electric		x
7	8904	Decal, Warning Objects Thrown	x	x
8		Serial Number Tag	x	x
9		EPA Decal	x	x
10	8045	Caution Keep Guard in Place Decal	x	x
11	8988	Decal, Cutting Height	x	x
12	8413	Decal, Danger Keep Clear	x	x
13	8989	Decal, 28"	x	
14	8983	Decal, Encore	x	x
15	8933	Decal, 32		x
16		CARB Decal	x	x



ENCORE

ENCORE MANUFACTURING

A DIVISION OF WORL DLAWN POWER EQUIPMENT, INC

401 COMMERCE STREET BEATRICE, NE 68310

800-267-4255 FAX: 402-223-4103

ENCOREEQUIPMENT.COM

Form No. 28205-202104