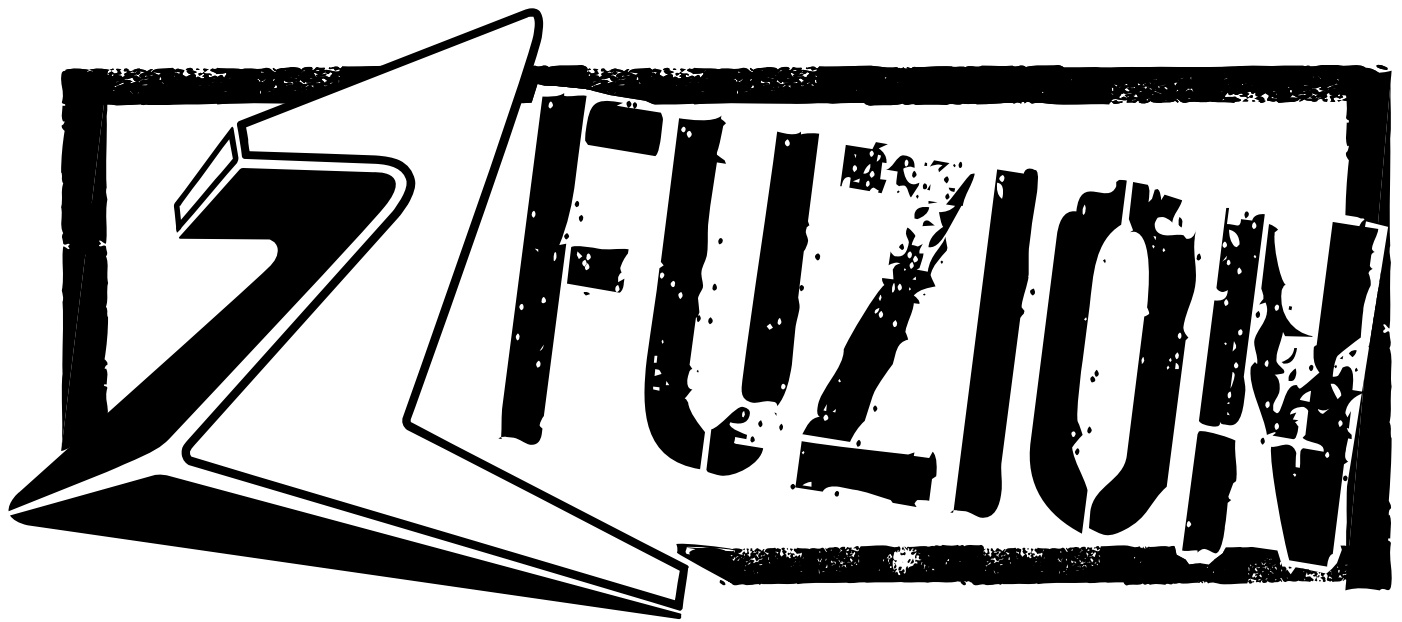




**ENCORE**



**PARTS MANUAL**

**F48K17FC**



---

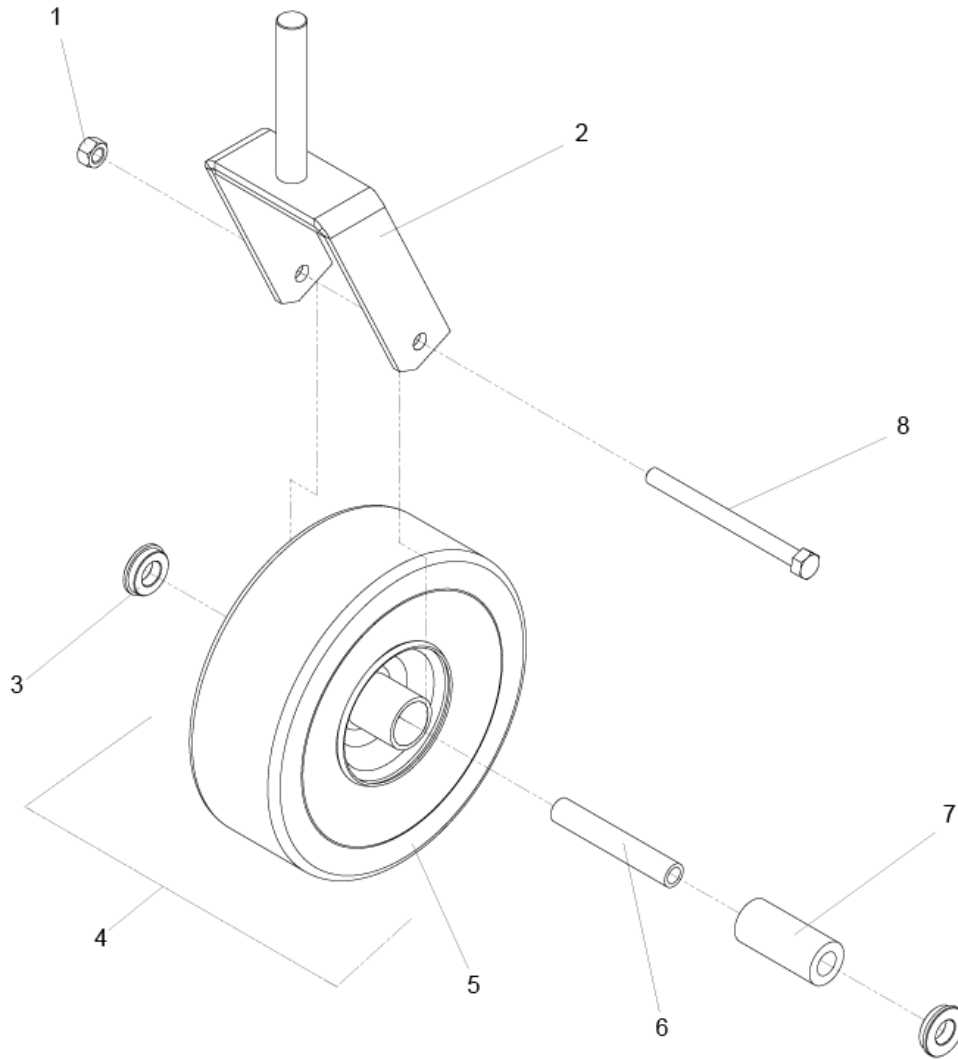
## CONTENTS

FRONT CASTER ASSEMBLY .....	6
DRIVE TIRE ASSEMBLY .....	7
SEAT ASSEMBLY .....	8
BRAKE ASSEMBLY .....	10
FUEL ASSEMBLY .....	12
DECK SUPPORT ASSEMBLY .....	15
MAINFRAME ASSEMBLY .....	17
TAIL WHEEL FRAME .....	18
TAIL CASTER ASSEMBLY .....	19
UPPER FRAME ASSEMBLY .....	20
ENGINE ASSEMBLY .....	22
HYDRO ASSEMBLY .....	23
FRONT DECK ASSEMBLY .....	25
48 DECK ASSEMBLY .....	27
SPINDLE ASSEMBLY .....	29
TENSION IDLER ASSEMBLY .....	31
REAR DOUBLE PULLEY .....	33
DECAL ASSEMBLY .....	35
ELECTRICAL SYSTEM .....	37
ELECTRICAL SYSTEM .....	38



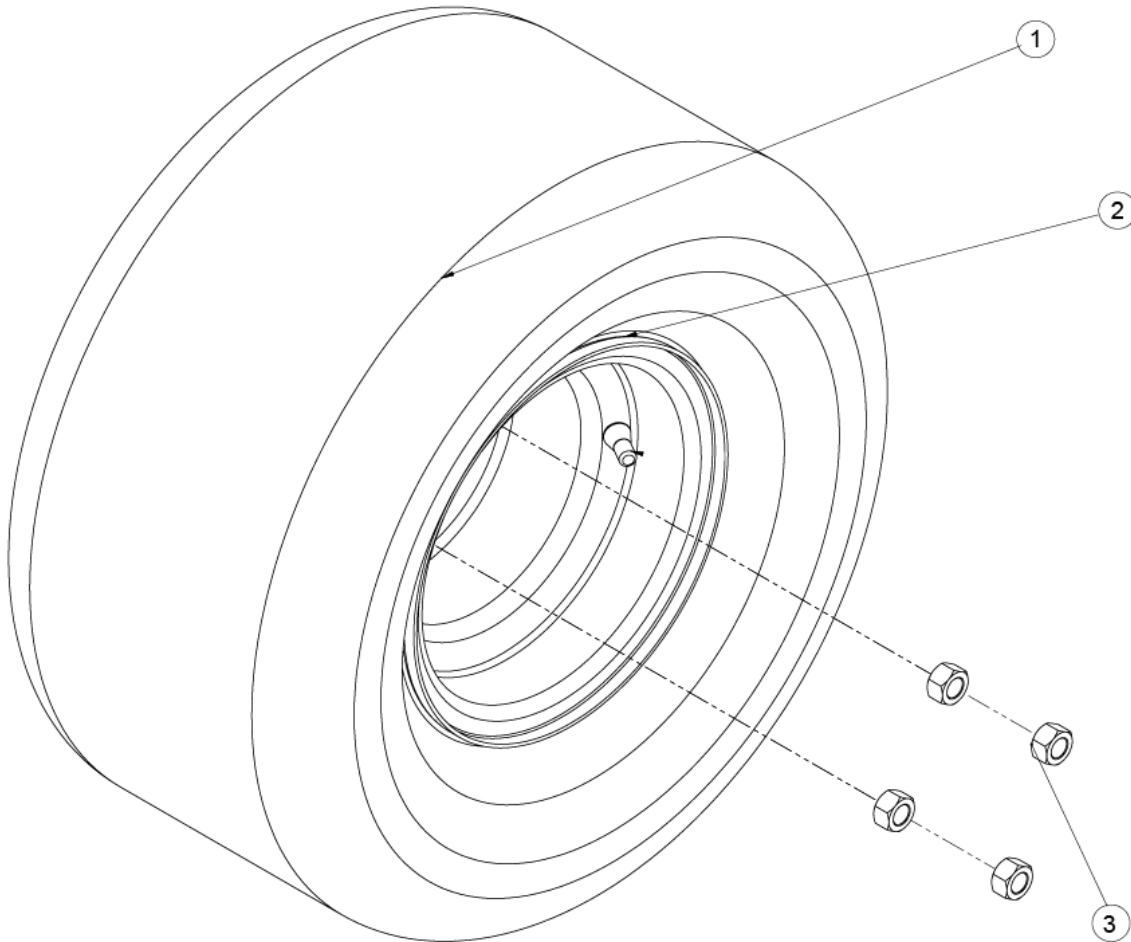


## FRONT CASTER ASSEMBLY



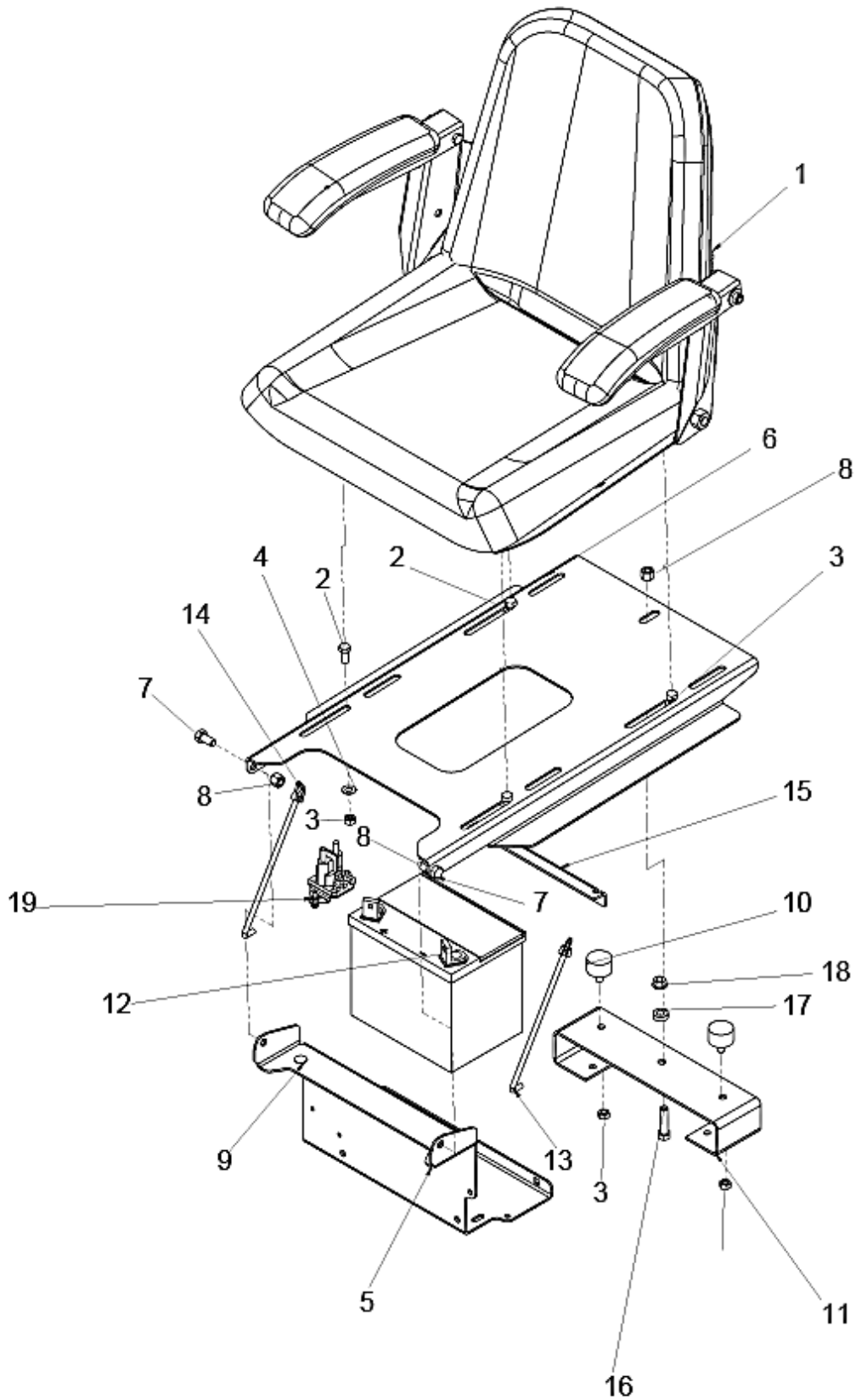
#	PART NO.	DESCRIPTION
1	104259	1/2-13 HEX NYLOC NUT
2	422016	FRONT CASTER YOKE WELDMENT
3	423201	BEARING RETAINER
4	363311	10" FRONT CASTER WHEEL COMPLETE
5	363260	TIRE W/TUBE-SMOOTH 4.10 x 3.5 x 4
6	363307	AXLE TUBE
7	423200	11" WHEEL BEARING
8	100339	1/2-13 X 6 HHCS

## DRIVE TIRE ASSEMBLY



#	PART NO.	DESCRIPTION
1	353148	18 X 9.5 4 PLY TIRE
2	353149	18 X 6.38 RIM
3	103023	1/2-20 LUG NUT
	353126	18 x 9.5 x 8 DRIVE WHEEL ASM

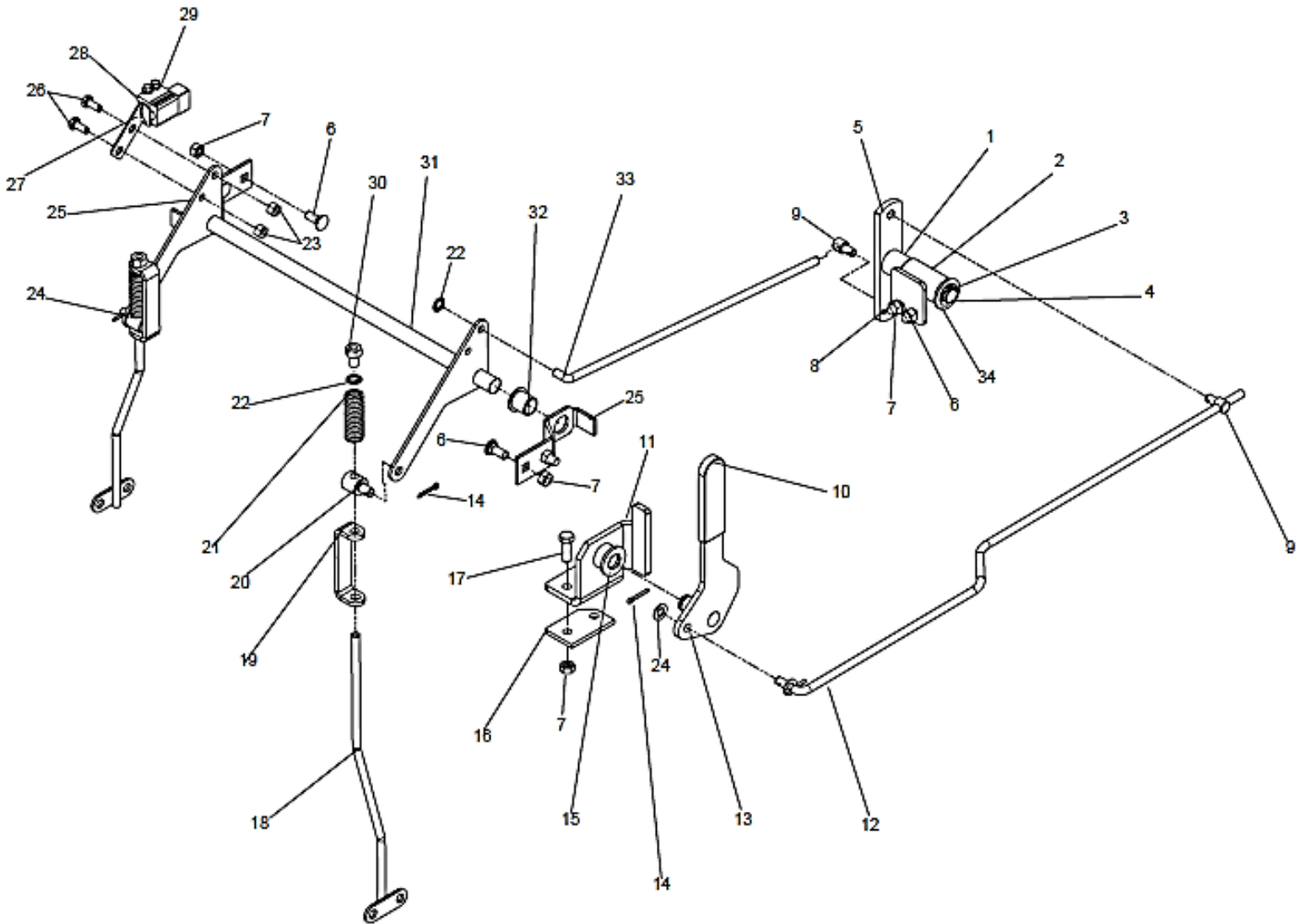
# SEAT ASSEMBLY



## SEAT ASSEMBLY

#	PART NO.	DESCRIPTION
1	853095	SEAT – GREY
2	100271	5/16-18 X 3/4 HHCS
3	104256	5/16-18 HEX NYLOC NUT
4	105257	5/16 SAE FLAT WASHER
5	853038	BATTERY TRAY
6	853118	SEAT PAN
7	100291	3/8-16 X 3/4 HHCS
8	104257	3/8-16 HEX NYLOC NUT
9	107503	5/16-18 X 3/4 CARR. BOLT
10	623251	RUBBER BUMPER W/STUD
11	853058	SEAT HOLD DOWN BRACKET
12	FOR REFERENCE ONLY	BATTERY 12V
13	423172	BATTERY HOLD DOWN ROD – PLATED
14	109012	1/4 WING NUT
15	423011	HOLD DOWN ANGLE - PAINTED
16	100294	3/8-16 X 1-1/2 HHCS
17	363097	SPACER – TURNBUCKLE
18	109007	3/8-16 WHIZLOCK NUT
19	422150	STARTER RELAY-WP

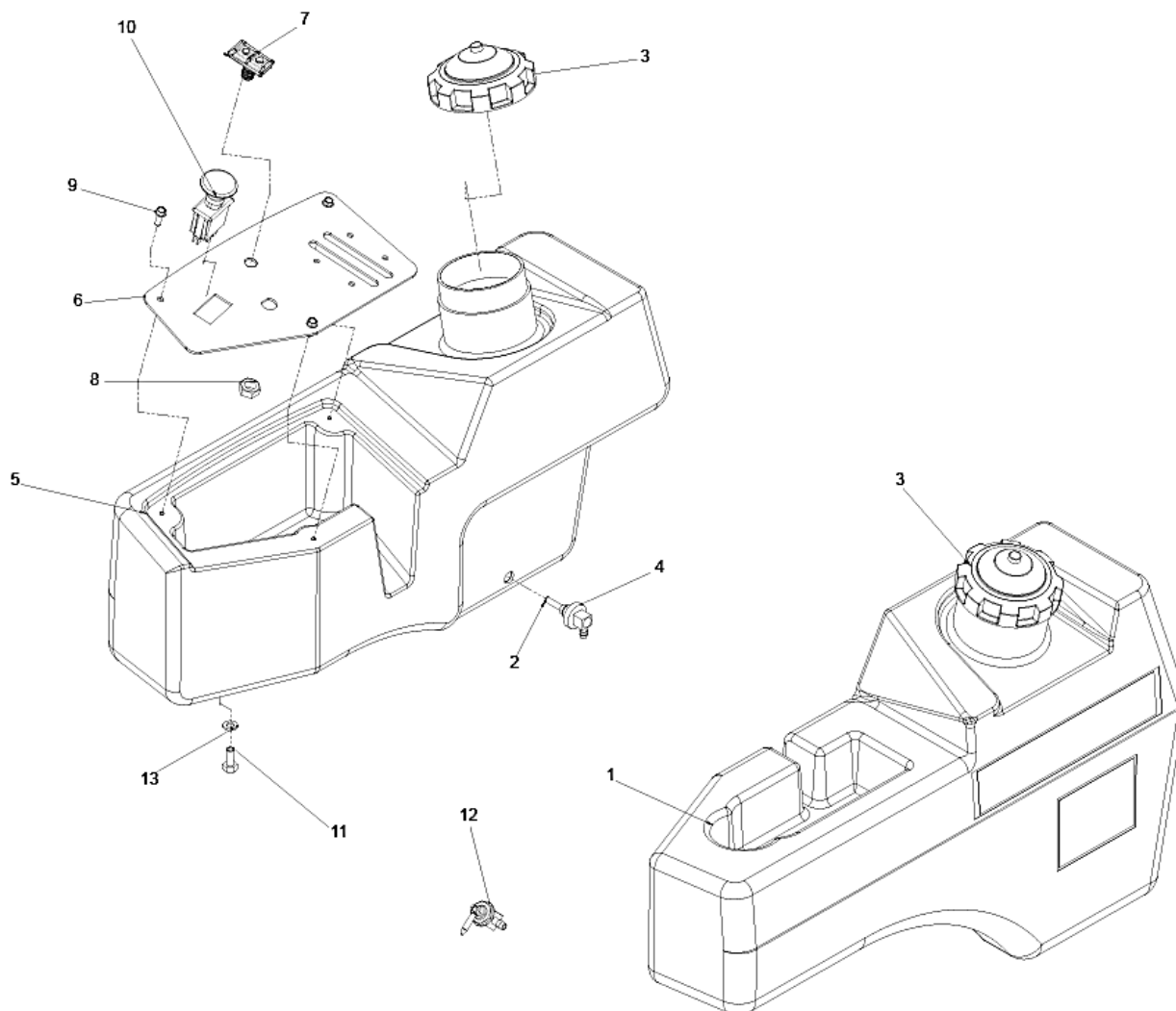
# BRAKE ASSEMBLY



## BRAKE ASSEMBLY

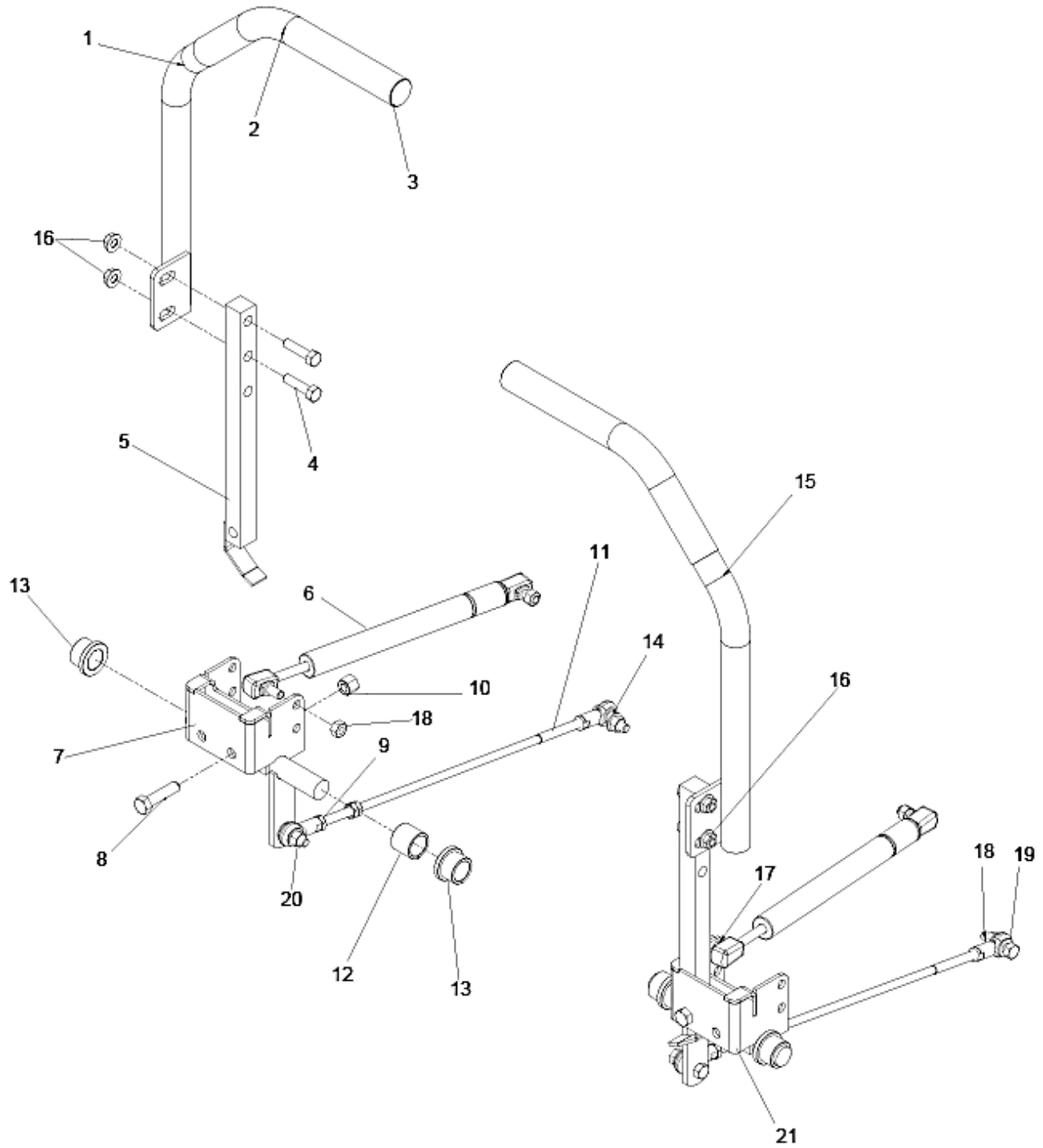
#	PART NO.	DESCRIPTION
1	853154	SPACER - .656 ID-FC FUZION
2	352024	BRAKE LEVER PIVOT
3	108500	E-RING 5/8 DIA.
4	105267	5/8 SAE FLAT WASHER
5	852060	PARK BRAKE REAR BRKT PNTD
6	107503	5/16-18 X 3/4 CARR. BOLT
7	104256	5/16-18 HEX NYLOC NUT
8	363165	#3 ISSCO HAIRPIN COTTER (#2)
9	363029	.312 ROD SWIVEL
10	363022	ADJ. LEVER GRIP
11	852036	PARK BRAKE BRACKET PNTD - FC-F
12	853112	BRAKE LINKAGE - FC-F
13	852056	BRAKE LEVER WLDMNT PNDT - FC-F
14	106753	3/32 X 3/4 COTTER PIN
15	109025	5/8 HEAVY FLAT WASHER
16	853166	PARK BRAKE SPACER FC FUZION
17	100273	5/16-18 X 1 HHCS
18	352042	LOWER BRAKE LINKAGE PLTD
19	593114	PARK BRAKE STRAP - PLATED
20	593406	PARK BRAKE SWIVEL WH
21	523024	SPRING, COMPRESSION
22	363177	3/8 PUSH NUT
23	104255	1/4-20 HEX NYLOC NUT
24	105257	5/16 SAE FLAT WASHER
25	353059	BRAKE SHAFT MOUNT
26	100251	1/4-20 X 5/8 HHCS
27	853168	BRAKE SWITCH ACTUATOR PLTD - F-FC
28	523034	PARK SWITCH
29	102000	#12-24 X 5/8 THD CUT
30	593116	BRAKE SPRING NUT - PLATED
31	352020	BRAKE SHAFT WLDMNT PNTD
32	353057	5/8" FLANGE BUSHING
33	823132	PARK BRAKE LINK

## FUEL ASSEMBLY



#	PART NO.	DESCRIPTION
1	853041	FUEL TANK – LH
2	583183	FUEL TANK ADAPTER
3	823179	FUEL CAP
4	533125	VALVE GROMMET – VITON
5	853040	FUEL TANK – RH
6	853043	CONTROL PANEL
7	583411	ELECTRIC LIFT SWITCH
8	104755	1/2-20 HEX JAM NUT
9	102000	#12-24 X 3/8 WASHER HD TCS
10	523031	PTO SWITCH
11	100271	5/16-18 X 3/4 HHCS
12	583050	FUEL VALVE
13	105005	3/8 LOCK WASHER

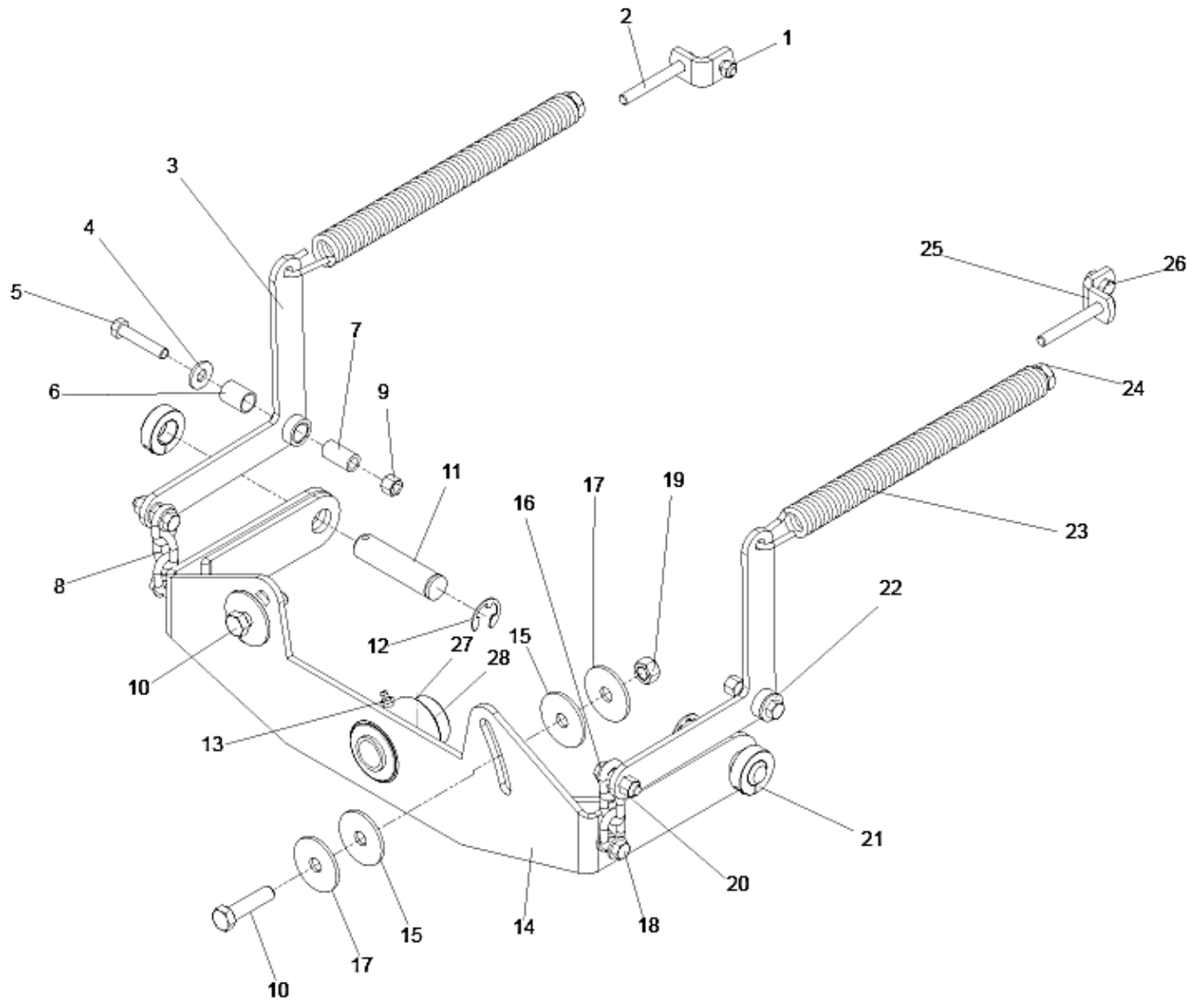
## MOTION CONTROL ASSEMBLY



## MOTION CONTROL ASSEMBLY

#	PART NO.	DESCRIPTION
1	592004	LH CONTROL HANDLE
2	523032	HANDLE GRIP
3	523033	HANDLE PLUG
4	100274	5/16-18 X 1-1/4 HHTB
5	852052	HANDLE MOUNT WLDMNT PNTD - FC-F
6	583415	DAMPER/CONTROL
7	852038	RH STEERING CNTRL WLDMNT PNTD- FC-F
8	100294	3/8-16 X 1-1/2 HHCS
9	104752	5/16-24 HEX JAM NUT
10	104257	3/8-16 HEX NYLOC NUT
11	853104	DRIVE LINKAGE - FC-F
12	353024	DRIVE CONTROL SPACER PLTD
13	353018	3/4" FLANGE BEARING
14	623095	ROD END, 5/16 LH - FEMALE
15	592002	RH CONTROL HANDLE
16	109001	5/16-18 WHIZLOCK NUT
17	823221	10MM BALL STUD
18	104256	5/16-18 HEX NYLOC NUT
19	105257	5/16 SAE FLAT WASHER
20	453081	.312 ROD END (F)
21	852040	LH STEERING CNTRL WLDMNT PNTD- FC-F

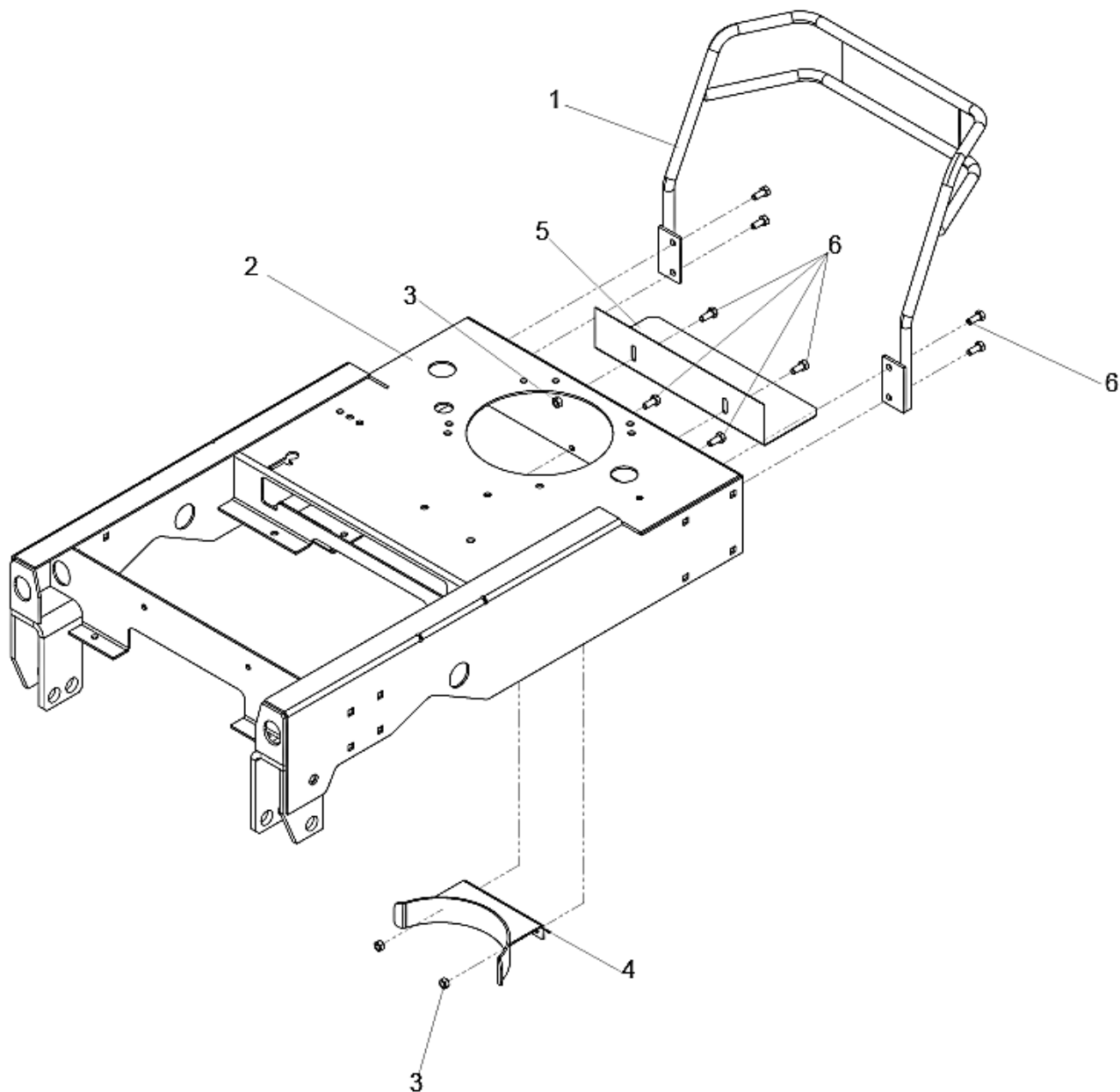
## DECK SUPPORT ASSEMBLY



## DECK SUPPORT

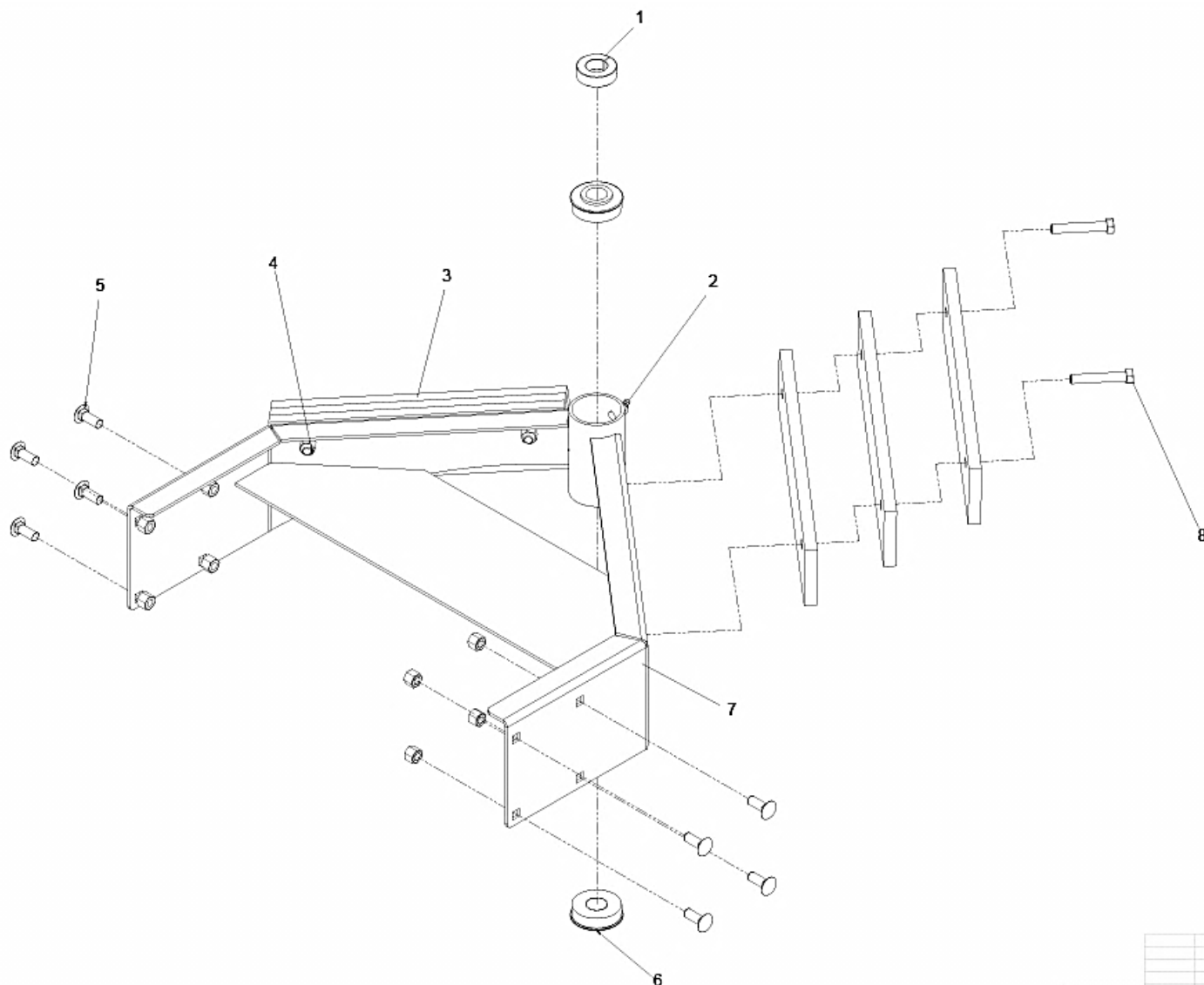
#	PART NO.	DESCRIPTION
1	104256	5/16-18 HEX NYLOC NUT
2	100003	SCREW, HH TAP 1/4-20 X 3/4
3	852077	DECK SUSPENSION BRKT ASSY - F-FC
4	105260	3/8 STD FLAT WASHER
5	100296	3/8-16 X 2 HHCS
6	253059	ENGAGEMENT BUSHING
7	393070	DRIVE IDLER BUSHING
8	853134	REAR CHAIN - 3 LINKS - FC-F
9	104257	3/8-16 HEX NYLOC NUT
10	100329	1/2-13 X 2 HHCS
11	823333	DECK ATTACH PIN PLATED
12	108510	E-RING 7/8 DIA.
13	111001	1/8 NPT STRAIGHT ZERK
14	852028	DECK ROTATION PLATE PNTD - FC-F
15	853123	WASHER, 1/2"
16	105259	3/8 SAE FLAT WASHER
17	583478	WASHER-ISO MOUNT PLTD
18	100294	3/8-16 X 1-1/2 HHCS
19	104259	1/2-13 HEX NYLOC NUT
20	109007	3/8-16 WHIZLOCK NUT
21	423071	7/8 CLAMP COLLAR
22	105260	3/8 STD FLAT WASHER
23	623541	SPRING 1.147 OD X 7.57 ID X 13.25
24	623542	3/8"-16 INT. THD SPRING BOLT
25	593126	IDLER TENSION ANGLE
26	100271	5/16-18 X 3/4 HHCS
27	363145	CLAMP COLLAR
28	363187	DRIVE WHEEL BEARING

## MAINFRAME ASSEMBLY



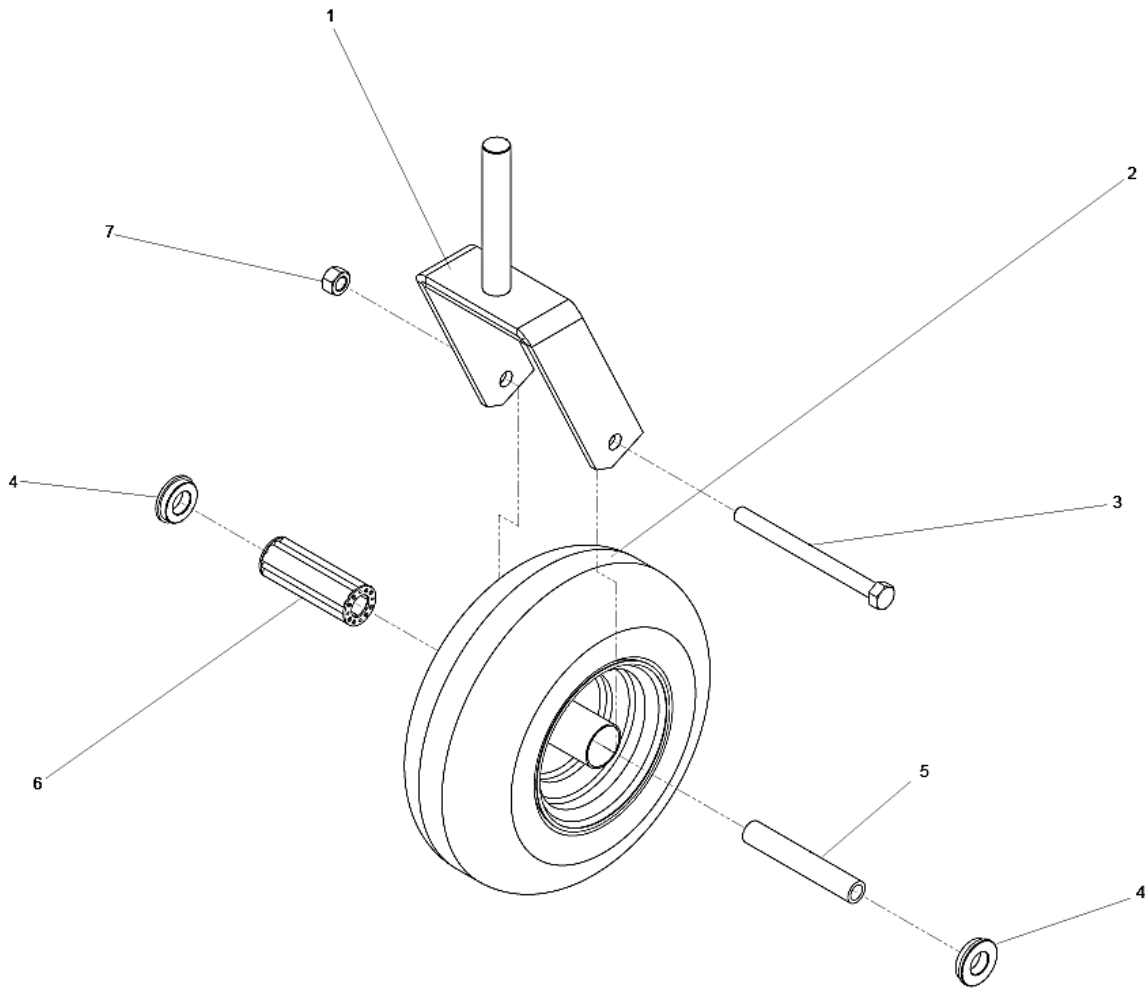
#	PART NO.	DESCRIPTION
1	852068	AIR CLEANER GUARD WLDMNT
2	852072	FRAME WLDMNT PNTD
3	104256	5/16-18 HEX NYLOC NUT
4	852046	BELT GUIDE BRKT CLUTCH PNTD
5	353154	HEAT DEFLECTOR
6	100271	5/16-18 X 3/4 HHCS

## TAIL WHEEL FRAME



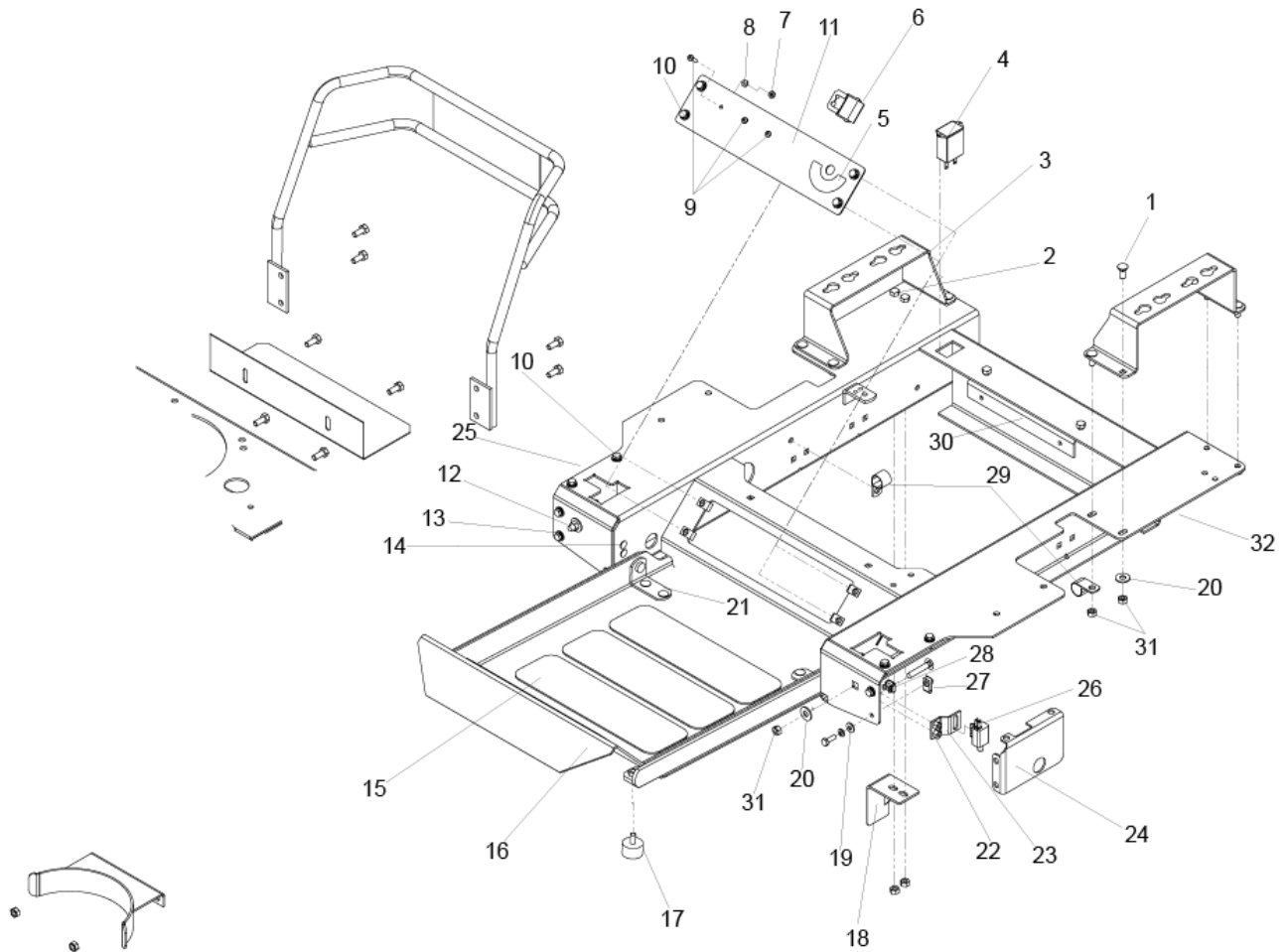
#	PART NO.	DESCRIPTION
1	423071	7/8 CLAMP COLLAR
2	111001	1/8 NPT STRAIGHT ZERK
3	853094	REAR WEIGHT
4	104257	3/8-16 HEX NYLOC NUT
5	107526	3/8-16 X 1 CARR. BOLT
6	423109	7/8 FLANGE BEARINGS
7	852006	TAIL WHEEL FRAME-PNTD
8	100297	3/8-16 X 2-1/4 HHCS

## TAIL CASTER ASSEMBLY



#	PART NO.	DESCRIPTION
1	422016	FRONT CASTER YOKE WELDMENT
2	423257	11X4.00-5 RIB TIRE
3	100339	1/2-13 X 6 HHCS
4	423201	BEARING RETAINER
5	363307	AXLE TUBE
6	423200	11" WHEEL BEARING
7	104259	1/2-13 HEX NYLOC NUT

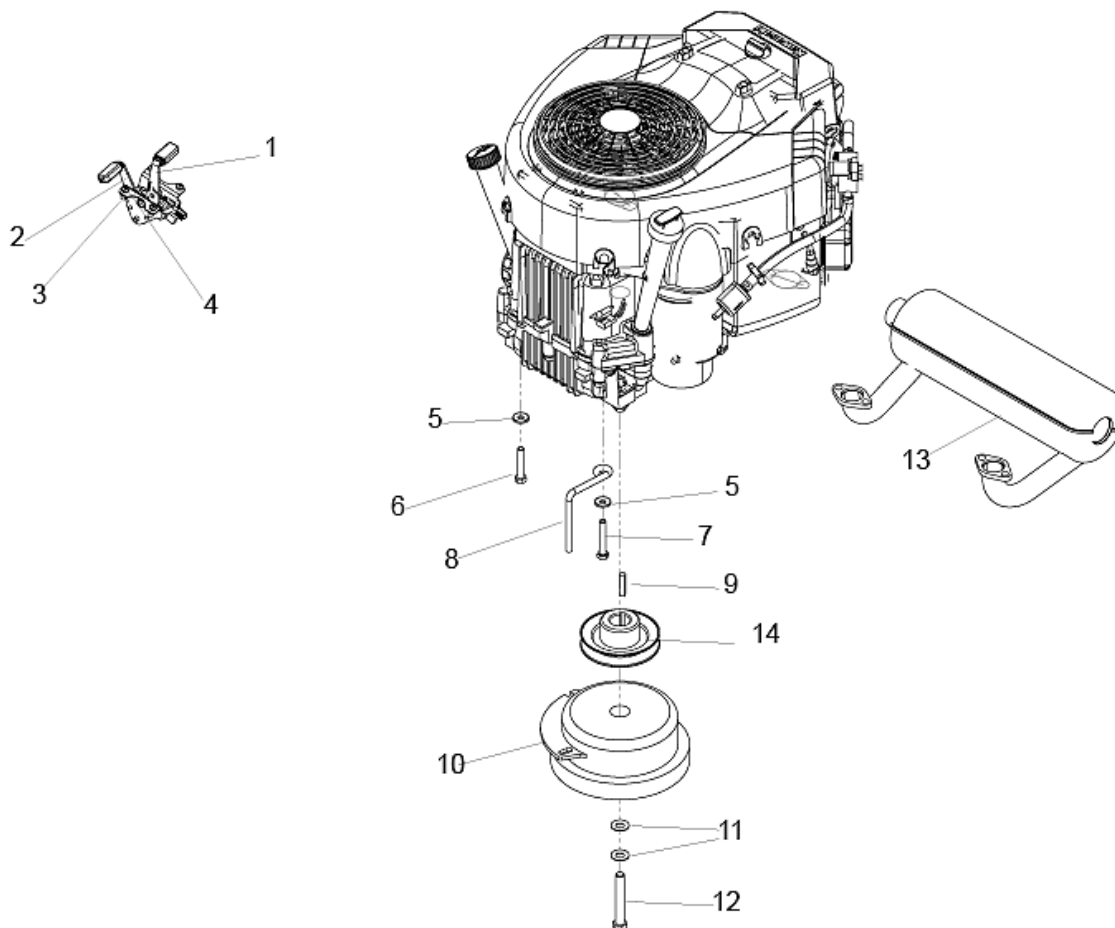
# UPPER FRAME ASSEMBLY



## UPPER FRAME ASSEMBLY

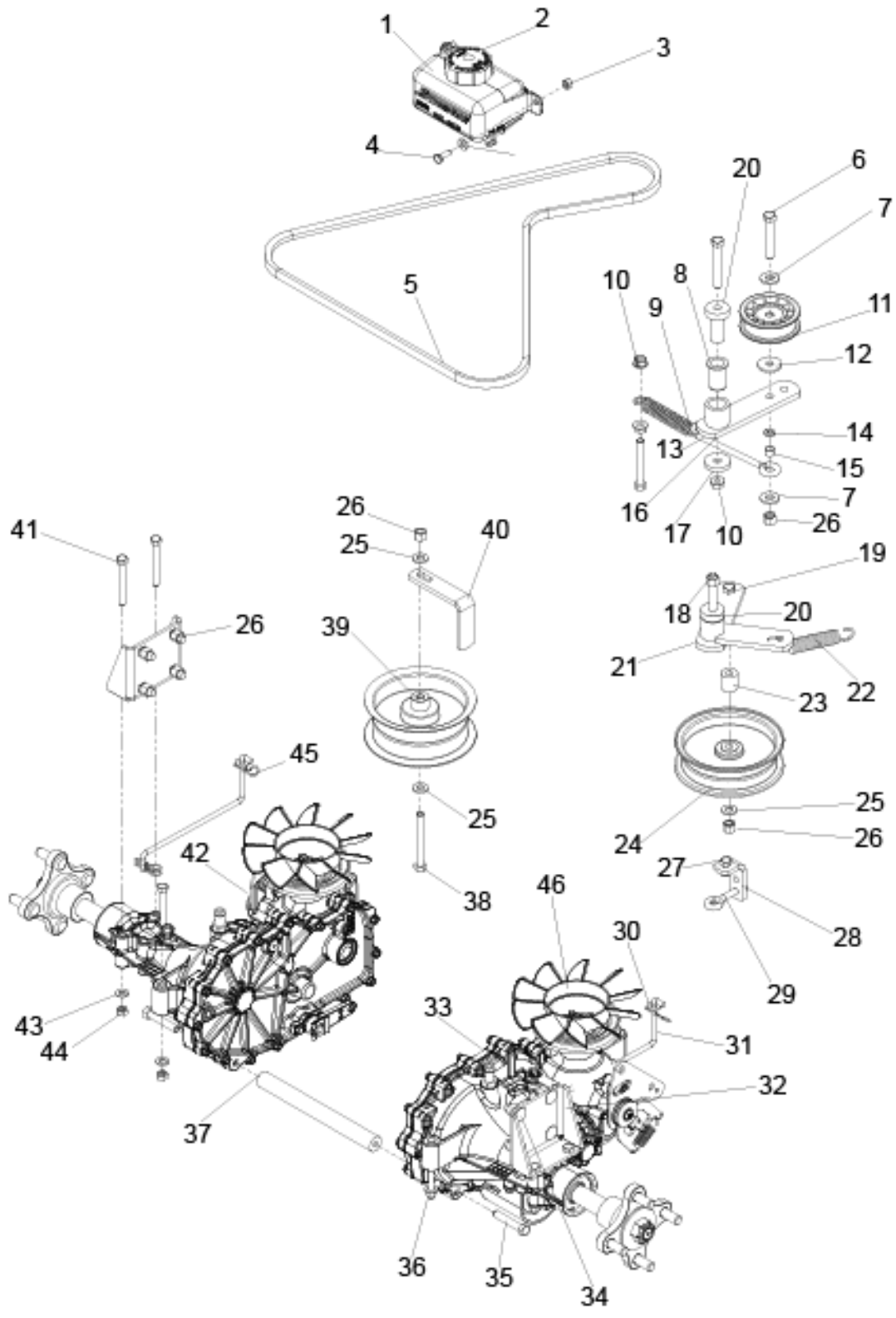
#	PART NO.	DESCRIPTION
1	107503	5/16-18 X 3/4 CARR. BOLT
2	100271	5/16-18 X 3/4 HHCS
3	353067	TANK SUPPORT
4	583423	TIME DELAY MODULE
5	583023	LABEL - FUEL VALVE
6	523283	HOURMETER
7	109006	#10-24 WHIZLOCK NUT
8	104252	#10-24 HEX NYLOC NUT
9	101039	#10-24 X 5/8 MACH SCREW
10	100252	1/4-20 X 3/4 HHCS
11	853100	CONSOLE PLATE W/FUEL VALVE
12	107520	5/16-18 X 1-3/4 FULL-THRD CARR.
13	105004	1/4 LOCKWASHER-HEAVY
14	107502	1/4-20 X 3/4 CARR. BOLT
15	423302	Z-STEP TREAD
16	852008	FOOT PLATE W/LDMNT PNTD
17	623251	RUBBER BUMPER W/STUD
18	852026	TANK SUPPORT W/LDMNT PNTD
19	105255	1/4-SAE FLAT WASHER
20	105258	5/16 STD FLAT WASHER
21	852022	FLOOR PAN PIVOT
22	104255	1/4-20 HEX NYLOC NUT
23	353021	SWITCH BRACKET
24	353063	LT CONTROL BRACKET
25	353061	RT CONTROL BRACKET
26	593041	SWITCH - NEUTRAL
27	109015	1/4-20 NUT CLIP
28	353151	5/16 - 18 SQUARE CAGE NUT
29	603031	DRAIN CLAMP
30	853074	OIL TANK MOUNT
31	104256	5/16-18 HEX NYLOC NUT
32	852072	FRAME W/LDMNT FINAL ASSY PNTD - F-FC

## ENGINE ASSEMBLY



#	PART NO.	DESCRIPTION
1	853097	CHOKE CONTROL ASM
2	853096	THROTTLE CONTROL ASM
3	104252	#10-24 HEX NYLOC NUT
4	101039	#10-24 X 5/8 MACH SCREW
5	363226	5/16 DISC SPRING
6	100276	5/16-18 X 1-3/4 HHCS
7	100277	5/16-18 X 2 HHCS
8	373070	BELT GUIDE – LONG
9	107260	KEY-SQ .25 X 1.25 X .25 SAE
10	423285	ELECTRIC CLUTCH 125 LB
11	423069	SPRING DISC – 7/16
12	100536	7/16-20 X 3 HHCS
13	853091	MUFFLER
14	353101	PULLEY
	FOR REFERENCE ONLY	FH541V KAW ENGINE

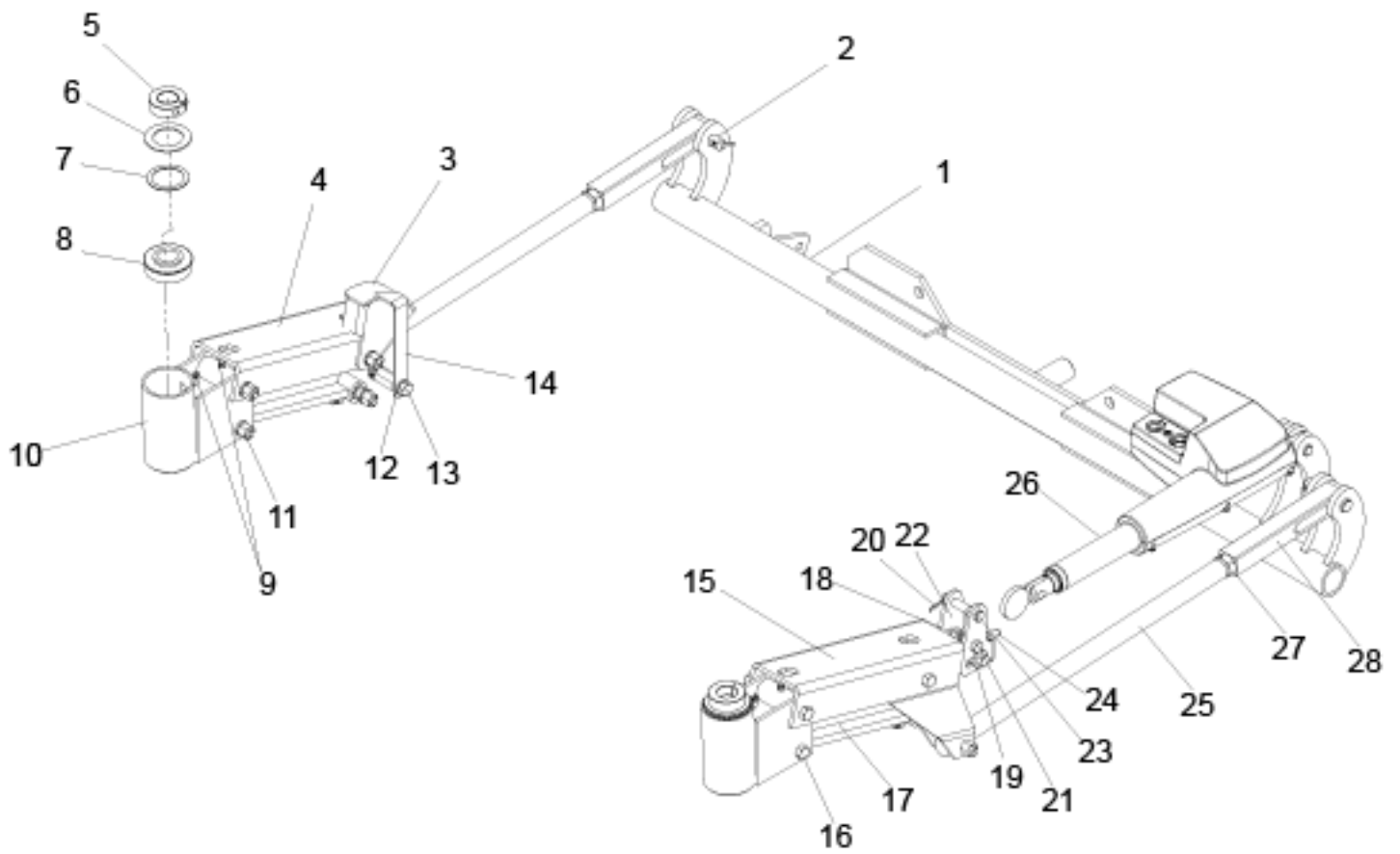
# HYDRO ASSEMBLY



## HYDRO ASSEMBLY

#	PART NO.	DESCRIPTION
1	853119	OIL TANK TRANSAXLE (2800)
2	353243	CAP, EXPANSION TANK
3	104255	1/4-20 HEX NYLOC NUT
4	100252	1/4-20 X 3/4 HHCS
5	853076	PUMP DRIVE BELT
6	100298	3/8-16 X 2-1/2 HHCS
7	105260	3/8 STD FLAT WASHER
8	523111	3/4 FLANGE BUSHING
9	553007	IDLER SPRING
10	109007	3/8-16 WHIZLOCK NUT
11	823351	PUMP DRIVE IDLER
12	105261	3/8 ANS TYPE B FLATWASHER
13	423112	TENSIONER ARM
14	105005	5/16 LOCKWASHER-HEAVY
15	363174	EYEBOLT SPACER
16	422025	TENSIONER W/BUSHING
17	373089	RETAINING WASHER
18	100305	3/8-16 X 4-1/2 HHCS
19	100299	3/8-16 X 2-3/4 HHCS
20	423175	PUMP IDLER PIVOT - FINISHED
21	852043	DECK TENSIONER W/BUSHING
22	343119	PUMP IDLER SPRING
23	363041	BUMPER SPACER
24	533114	DECK TENSION IDLER
25	105259	3/8 SAE FLAT WASHER
26	104257	3/8-16 HEX NYLOC NUT
27	100271	5/16-18 X 3/4 HHCS
28	523094	SPRING MOUNT-DECK
29	363080	EYEBOLT-RIGHT
30	105256	1/4 STD FLAT WASHER
31	853082	BYPASS LINKAGE
32	352026	AXLE MOUNT
33	853071	TRANSAXLE ZT 2800 LH
34	107526	3/8-16 X 1 CARR. BOLT
35	100296	3/8-16 X 2 HHCS
36	100278	5/16-18 X 2-1/4 HHCS
37	853070	TIE ROD PLTD
38	100301	3/8-16 X 3-1/4 HHCS
39	853124	2x5 FLAT IDLER
40	853146	BELT GUIDE
41	100280	5/16-18 X 2-3/4 HHCS
42	853072	TRANSAXLE ZT 2800 RH
43	105257	5/16 SAE FLAT WASHER
44	104256	5/16-18 HEX NYLOC NUT
45	363165	#3 ISSCO HAIRPIN COTTER (#2)
46	353189	7" FAN

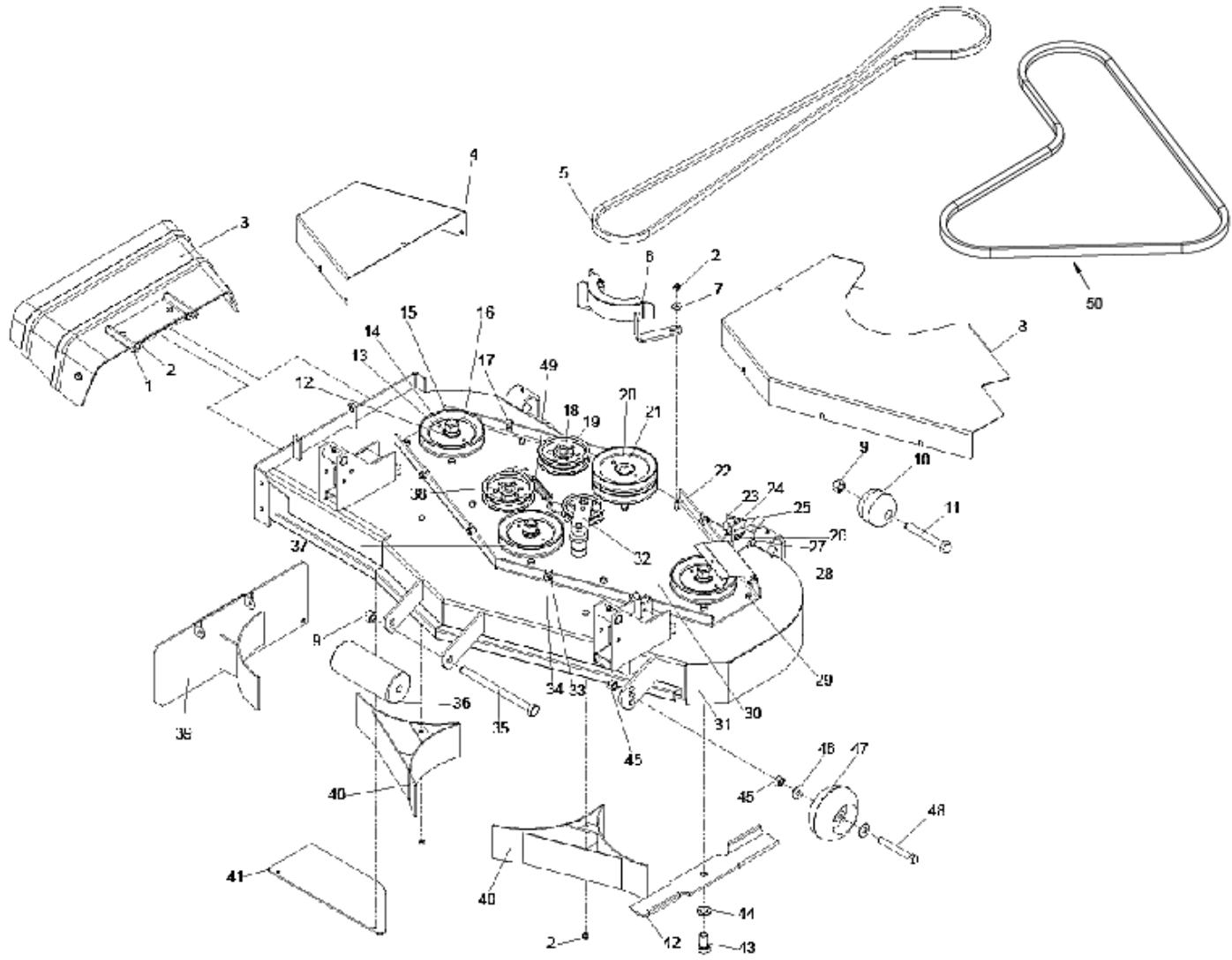
## FRONT DECK ASSEMBLY



## FRONT DECK ASSEMBLY

#	PART NO.	DESCRIPTION
1	852030	DECK TUBE WLD
2	823210	1/2 X 2 CLEVIS PIN
3	582176	TOP STRAP – CUT GAGE
4	852074	RH CASTER ARM WLD
5	423071	7/8 CLAMP COLLAR
6	583171	CASTER WASHER
7	105501	WAVY WASHER
8	423109	7/8 FLANGE BEARING
9	111004	1/4-28 ZERK
10	582080	CASTER TUBE W/BEARINGS
11	104254	1/4-28 HEX NYLOC NUT
12	105006	3/8 LOCKWASHER
13	100291	3/8-16 X 3/4 HHCS
14	853164	POINTER - CUT GAGE
15	583053	BACK PLATE LH RAW
16	100300	3/8-16 X 3 HHCS
17	582059	CASTER BAR WELDMENT
18	104256	5/16-18 HEX NYLOC NUT
19	363226	5/16 DISC SPRING
20	106763	1/8 X 1-1/4 COTTER PIN
21	100271	5/16-18 X 3/4 HHCS
22	853170	LIFT MT. ADJMT. PLT FORMED
23	853152	3/8" x 2 1/8" CLEVIS PIN
24	453082	.312 ROD END (M)
25	853115	PULLEY SPT BRKT
26	853101	ACTUATOR FC FUZION
27	104756	5/8-18 HEX JAM NUT
28	853114	ROD END THREADED PLTD

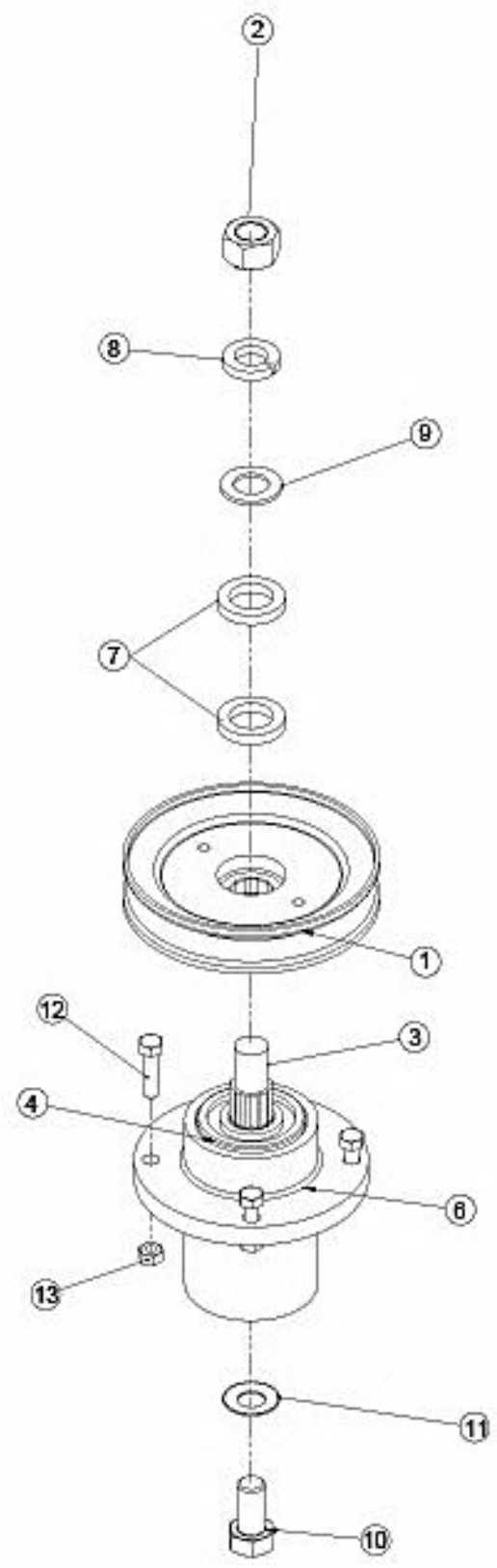
# 48 DECK ASSEMBLY



## 48 DECK ASSEMBLY

#	PART NO.	DESCRIPTION
1	100273	5/16-18 X 1 HHCS
2	104256	5/16-18 HEX NYLOC NUT
3	532073	PLASTIC CHUTE ASSY
4	853060	RH BELT GUARD
5	853039	DRIVE BELT
6	852024	BELT GUIDE WLD
7	105258	5/16 STD FLAT WASHER
8	853062	LH BELT GUARD
9	104261	5/8-11 HEX NYLOC NUT
10	523084	REAR DECK ROLLER
11	100346	5/8-11 X 4-1/2 HHCS
12	105010	3/4 LOCKWASHER
13	105269	3/4 SAE FLAT WASHER
14	343128	PULLEY WASHER
15	104511	3/4-16 UNF REF HEX NUT
16	483078	5.75" HEX PULLEY
17	109015	1/4-20 NUT CLIP
18	523329	FLOATING IDLER – FLAT
19	104257	3/8-16 HEX NYLOC NUT
20	853102	DECK DRIVE PULLEY SEE PAGE 32 FOR DETAIL
21	583106	BLADE SPINDLE ASM SEE PAGE 28 FOR DETAIL
22	107509	5/16-18 X 1 CARR BOLT
23	853150	SWITCH ATTACHMENT BRACKET
24	852050	SWITCH ACTIVATION WLD
25	853098	DECK LIFT SWITCH
26	102000	#12-24 X 5/8 THD CUT
27	100297	3/8-16 X 2-1/4 HHCS
28	853080	ANGLED PULLEY COVER
29	107503	5/16-18 X 3/4 CARR. BOLT
30	852070	48" DECK CHANNEL
31	854004	48" DECK ASM
32	854002	DECK TENSIONER ASM SEE PAGE 30 FOR DETAIL
33	105256	1/4 STD FLAT WASHER
34	100252	1/4-20 X 3/4 HHCS
35	100351	5/8-11 X 8-1/2 HHCS
36	603023	ANTI SCALP ROLLER
37	483078	5.75" HEX PULLEY
38	523329	FLOATING IDLER - FLAT
39	532066	X48 MULCH PLATE
40	422072	MULCH BAFFLE WLD
41	353141	BLOWOUT PLATE – 42/48 FUZION
42	483035	16" BLADE
43	100355	5/8-11 X 1-1/4 HHCS
44	583108	5/8 SPRING DISC WASHER
45	104509	1/2-13 REG HEX NUT
46	105264	1/2 STD FLAT WASHER
47	423023	ANTI SCALP ROLLER
48	100335	1/2-13 X 4 HHCS
49	343119	DECK IDLER SPRING
50	353111	DECK BELT - FUZION 34

# SPINDLE ASSEMBLY



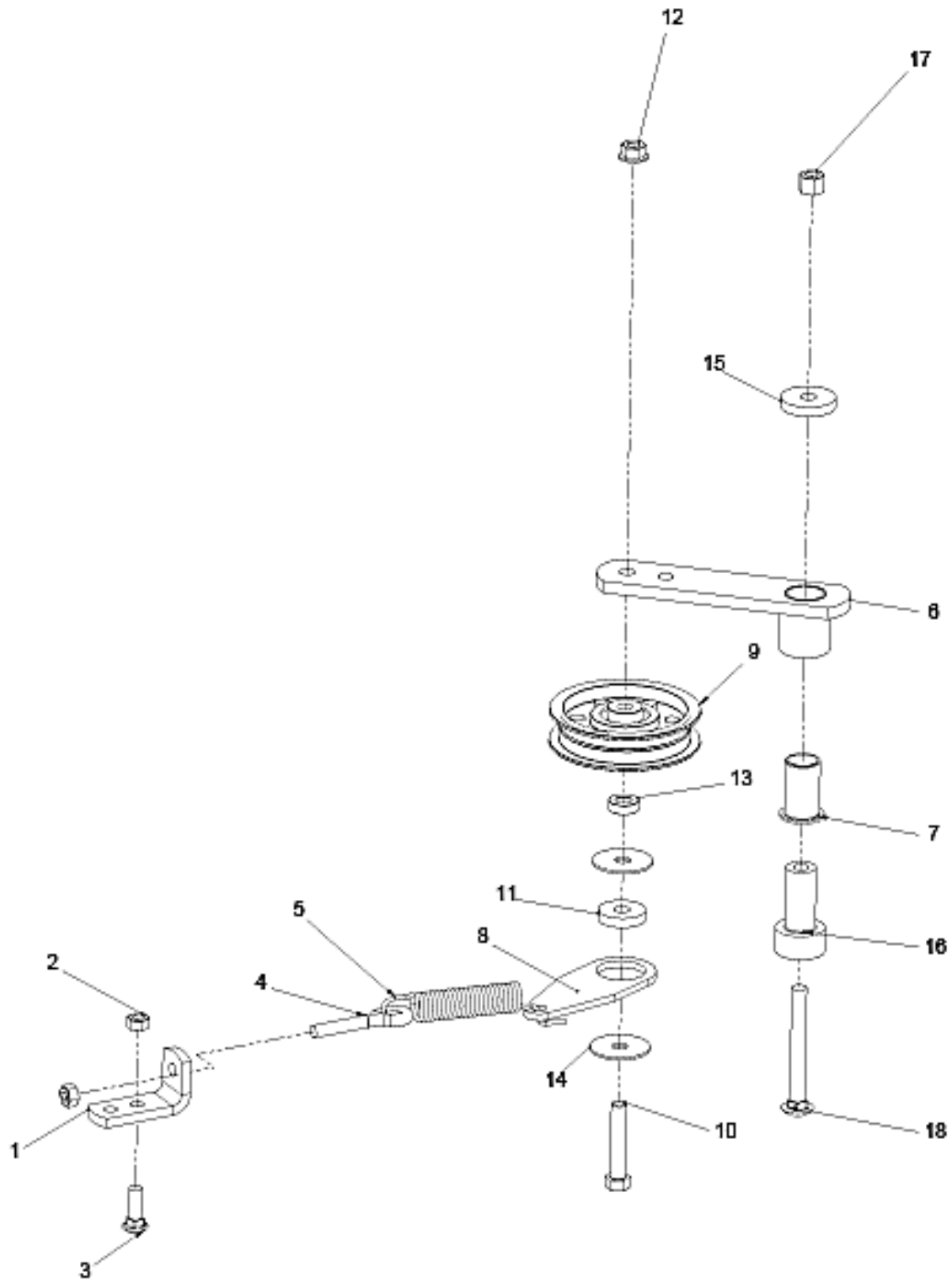
---

---

## SPINDLE ASSEMBLY

#	PART NO.	DESCRIPTION
1	483078	5.75" HEX PULLEY
2	104511	3/4-16 UNF REG HEX NUT
3	583112	SPINDLE SHAFT
4	363350	BEARING – BLADE SPINDLE
5	583113	BEARING SPACER TUBE
6	583111	SPINDLE HOUSING
7	343128	PULLEY WASHER
8	105010	3/4 LOCKWASHER
9	823015	DECK ARM WASHER
10	100355	5/8-11 X 1-1/4 HHCS
11	583108	5/8 SPRING DISC WASHER
12	100274	5/16-18 X 1-1/4 HHTB
13	104256	5/16-18 HEX NYLOC NUT

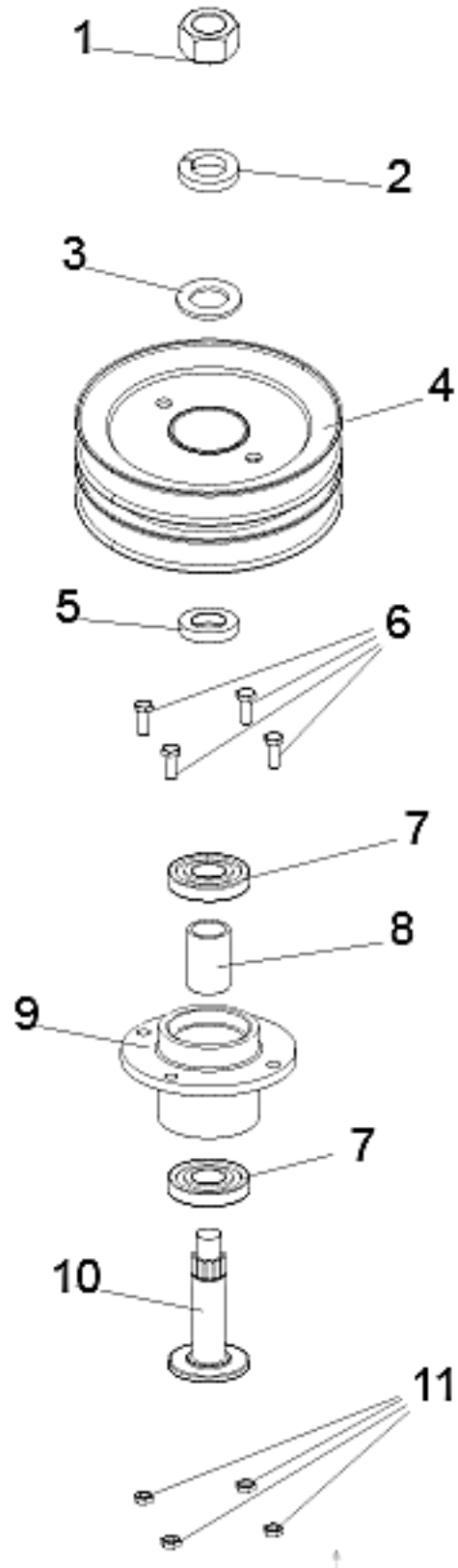
## TENSION IDLER ASSEMBLY



## TENSION IDLER ASSEMBLY

#	PART NO.	DESCRIPTION
1	523094	SPRING MOUNT – DECK
2	104256	5/16-18 HEX NYLOC NUT
3	107509	5/16-18 X 1 CARR. BOLT
4	363080	EYEBOLT – RIGHT
5	343119	PUMP IDLER SPRING
6	422025	TENSIONER WLDMT
7	523111	3/4 FLANGE BUSHING
8	853088	TENSION SPRING CONNECTION
9	523328	FLAT IDLER – MULE DRIVE
10	100296	3/8-16 X 2 HHCS
11	853108	CONNECTION PLATE INSERT
12	109007	3/8-16 WHIZLOCK NUT
13	363097	SPACER – TURNBUCKLE
14	483019	RH IDLER WASHER
15	373089	RETAINING WASHER
16	853106	IDLER PIVOT – PLATED
17	104257	3/8-16 HEX NYLOC NUT
18	107506	3/8-16 X 3-1/4 CARR. BOLT

## REAR DOUBLE PULLEY



---

---

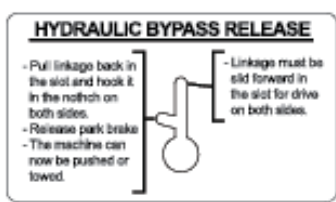
## REAR DOUBLE PULLEY

#	PART NO.	DESCRIPTION
1	104511	3/4-16 UNF REG HEX NUT
2	105010	3/4 LOCKWASHER
3	105269	3/4 SAE FLAT WASHER
4	853102	DECK DRIVE PULLEY
5	583110	PULLEY SPACER
6	100274	5/16-18 X 1-1/4 HHTB
7	363350	BEARING - BLADE SPINDLE
8	583113	BEARING SPACER TUBE
9	583111	SPINDLE HOUSING
10	583112	SPINDLE SHAFT
11	104256	5/16-18 HEX NYLOC NUT

## DECAL ASSEMBLY



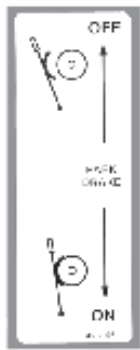
363001



353125



423155



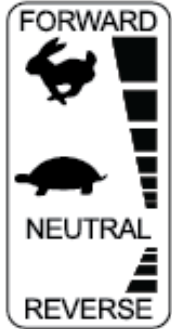
423156



823320



823323



353130



453010



363023



623272



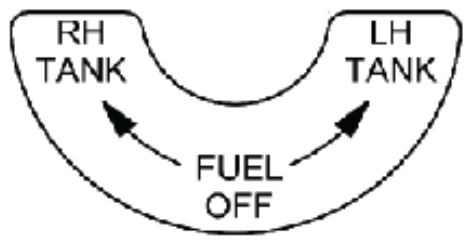
363290



623268

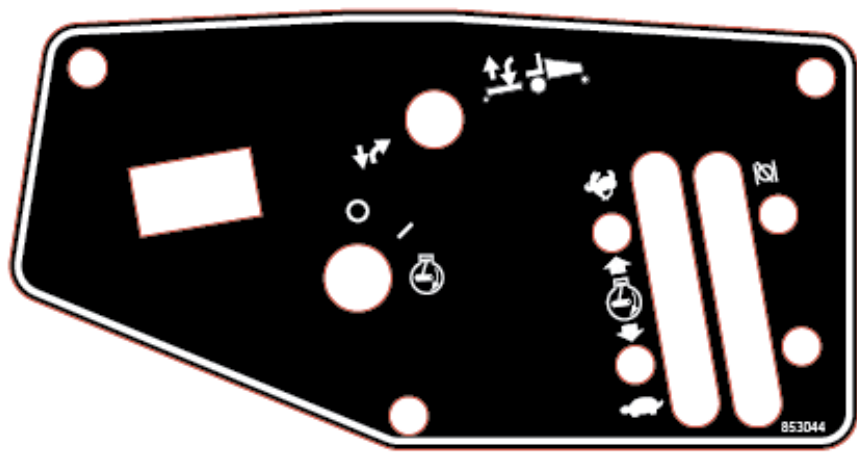


823324



583023

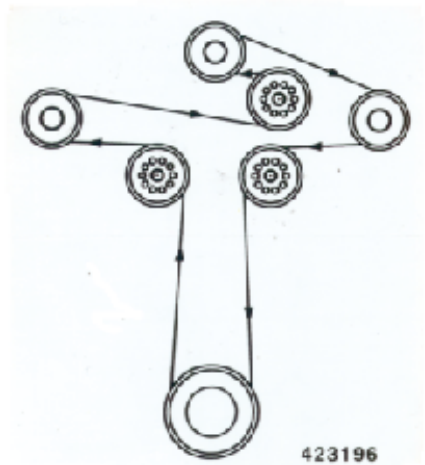
DECAL ASSEMBLY



853044



583416



423196

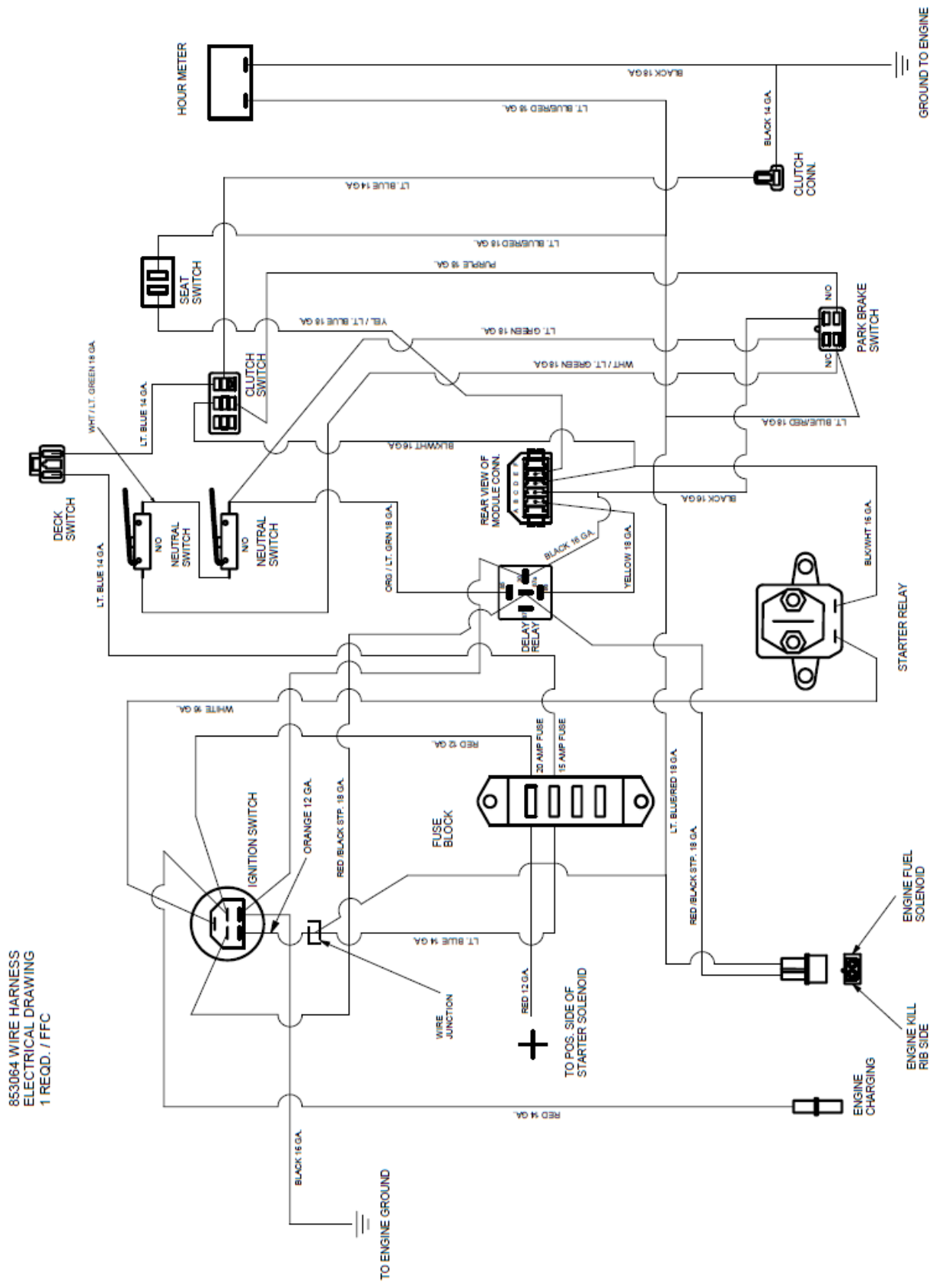


353186

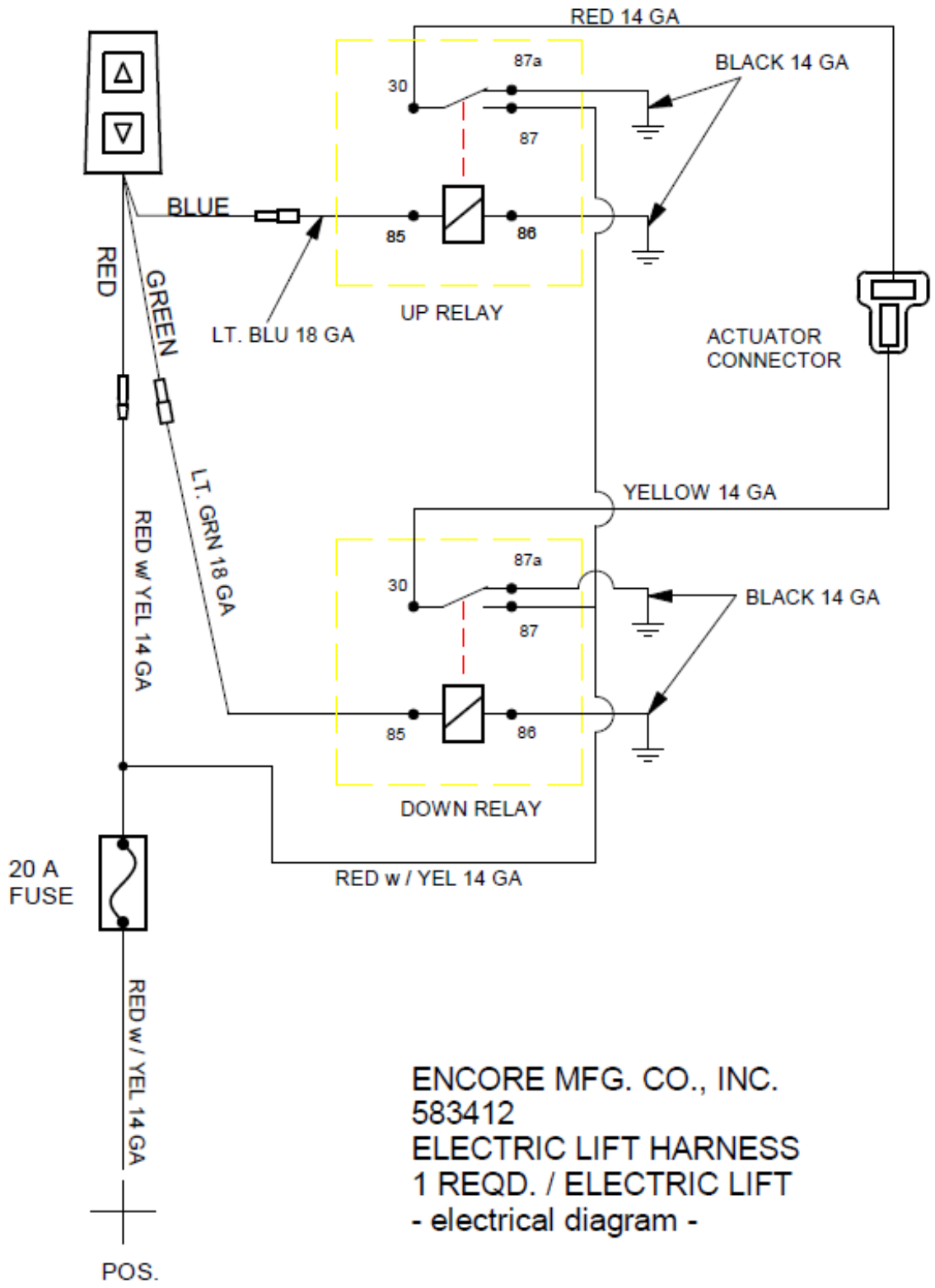


343243

# ELECTRICAL SYSTEM



### ELECTRICAL SYSTEM











# ENCORE

ALL RIGHT RESERVED

CONTENTS SUBJECT TO CHANGE

F48K17FC PARTS MANUAL

FRONT CUT FUZION 201707