

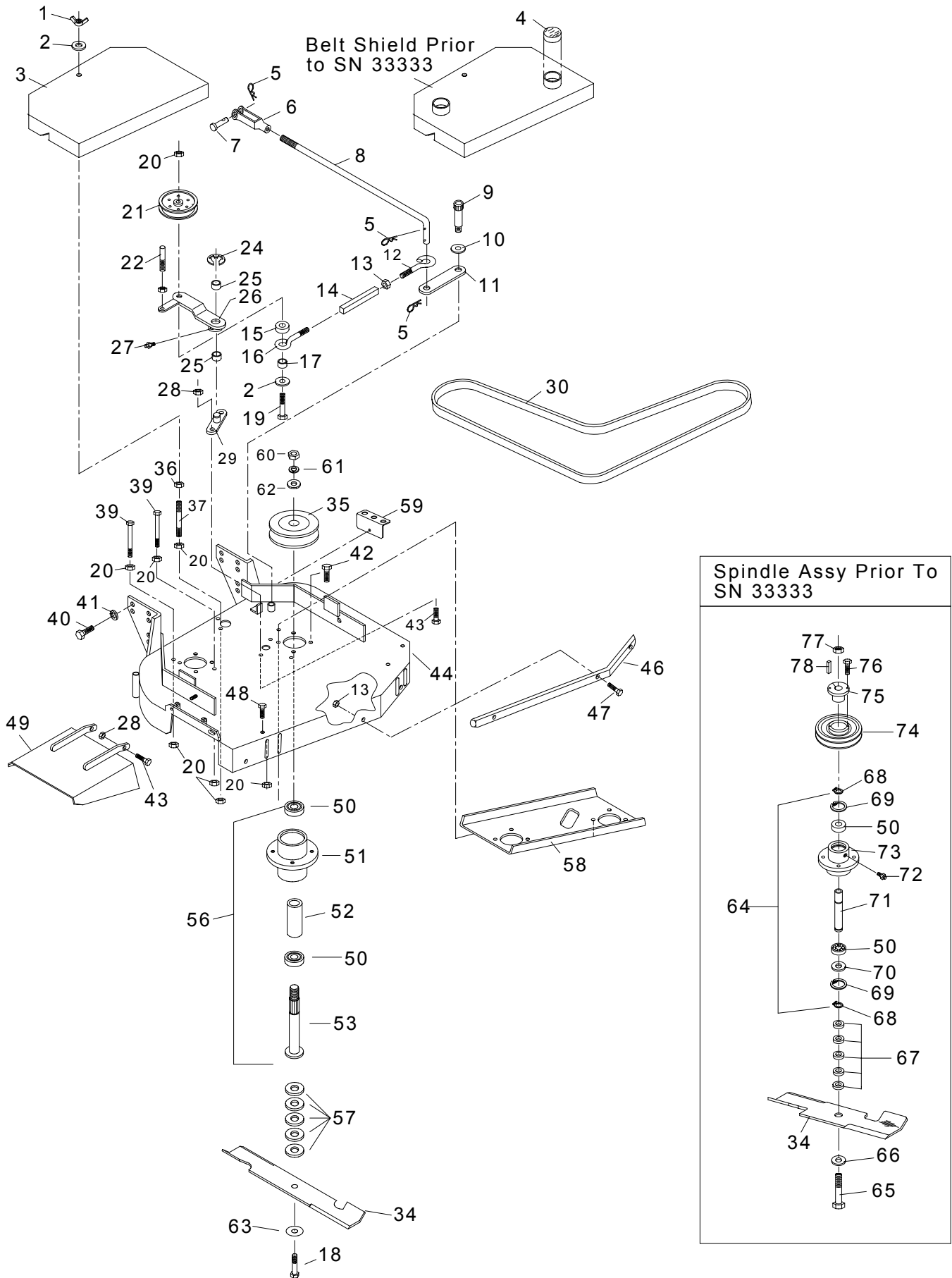
**PREMIER**  
Series **HYDROPRO**

**WB36K13H**

**PARTS  
MANUAL**



# 32" FRONT DECK ASSEMBLY



# HYDRO DRIVE WALK BEHIND 32" FRONT DECK ASSEMBLY

SEE NOTES

| #   | PART NO. | QTY | DESCRIPTION               |
|-----|----------|-----|---------------------------|
| 1   | 103027   | 3   | 3/8" WING NUT             |
| 2   | 105260   | 4   | 3/8" STD. FLAT WASHER     |
| 3   | 322002   | 1   | BELT COVER                |
| 4   | 363161   | 2   | BELT COVER CAP            |
| 5   | 363165   | 3   | HAIRPIN COTTER            |
| 6   | 363192   | 1   | LARGE YOKE                |
| 7   | 363196   | 1   | CLEVIS PIN                |
| 8   | 323002   | 1   | BLADE DRIVE LINKAGE       |
| 9   | 109014   | 1   | SHOULDER BOLT             |
| 10  | 363240   | 1   | SHOULDER SPACER           |
| 11  | 363085   | 1   | CAM LINK                  |
| 12  | 363080   | 1   | RIGHT EYEBOLT             |
| 13  | 109001   | 4   | 5/16" WHIZLOCK NUT        |
| 14  | 363172   | 1   | TURNBUCKLE BODY           |
| 15  | 363097   | 1   | TURNBUCKLE SPACER         |
| 16  | 363082   | 1   | LEFT EYEBOLT              |
| 17  | 363174   | 1   | EYEBOLT SPACER            |
| 18A | 100356   | 2   | 5/8"-11 X 1 1/2" HEX BOLT |
| 18B | 100358   | 2   | 5/8"-11 X 2 1/4" HEX BOLT |
| 19  | 100298   | 1   | 3/8" X 2 1/2" BOLT        |
| 20  | 109007   | 18  | 3/8" WHIZLOCK NUT         |
| 21  | 363264   | 1   | ENGAGEMENT IDLER (WF)     |
| 22  | 363249   | 1   | BELT SNUBBER              |
| 24  | 108509   | 1   | "E" RING                  |
| 25  | 363089   | 2   | BRONZE BUSHING            |
| 26  | 362071   | 1   | ENGAGEMENT ARM W/BUSHING  |
| 27  | 111004   | 1   | 1/4" - 28 ZERK            |
| 28  | 104256   | 14  | 5/16" NYLOC HEX NUT       |
| 29  | 362024   | 1   | IDLER PIVOT ASSY.         |
| 30  | 323003   | 1   | BLADE DRIVE BELT          |
| 34  | 483035   | 2   | 16" BLADE                 |
| 35  | 363378   | 2   | RAISED PULLEY             |
| 36  | 104257   | 1   | 3/8" NYLOC HEX NUT        |
| 37  | 363090   | 2   | BELT SHIELD SUPPORT       |
| 39  | 100306   | 4   | 3/8" X 5" HEX BOLT        |
| 40  | 100309   | 6   | 7/16" 1" HEX BOLT         |
| 41  | 105007   | 6   | 7/16" LOCK WASHER         |
| 42  | 100274   | 8   | 5/16" X 1 1/4" HEX BOLT   |
| 43  | 100273   | 8   | 5/16" X 1" HEX BOLT       |
| 44  | 322004   | 1   | 32" FRONT DECK            |
| 45  | 109014   | 1   | SHOULDER BOLT             |
| 46  | 323029   | 1   | SQUARE BUMPER             |

# HYDRO DRIVE WALK BEHIND 32" FRONT DECK ASSEMBLY

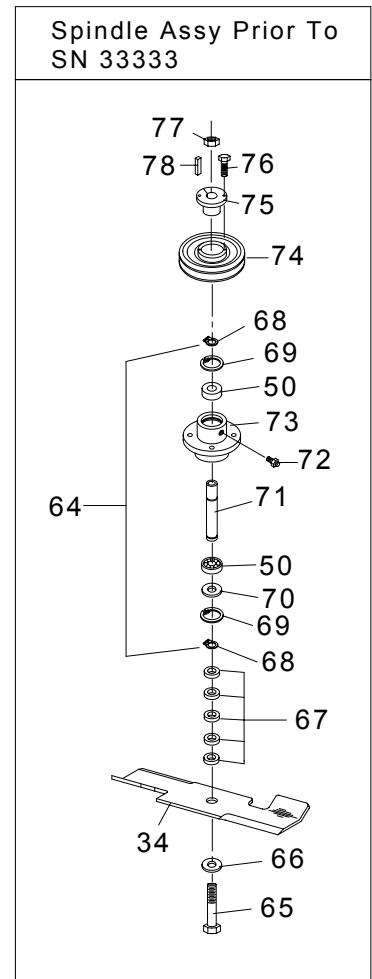
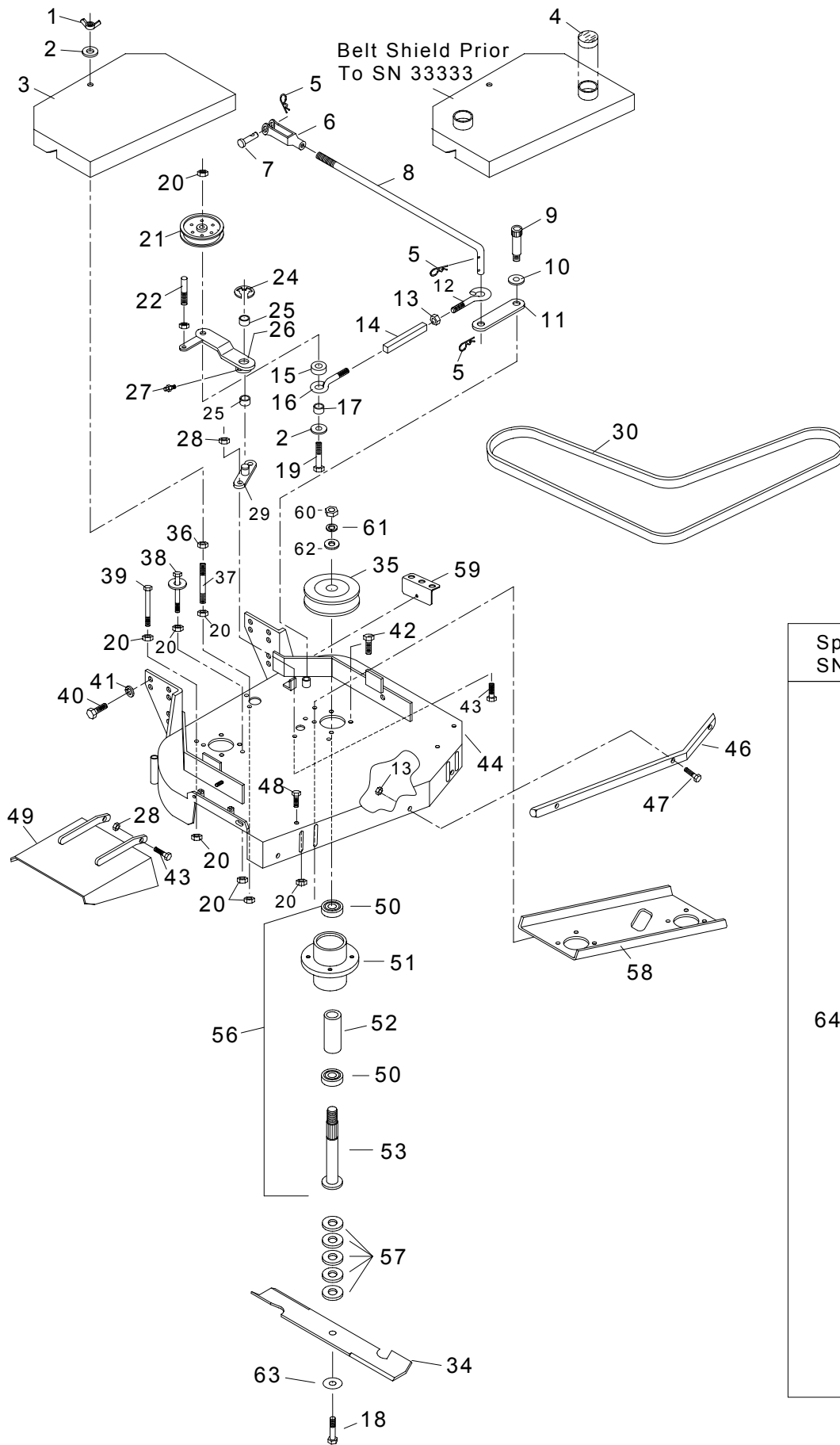
SEE NOTES

| #  | PART NO. | QTY | DESCRIPTION             |   |
|----|----------|-----|-------------------------|---|
| 47 | 100276   | 3   | 5/16" X 1 3/4" HEX BOLT |   |
| 48 | 100292   | 6   | 3/8" X 1" HEX BOLT      |   |
| 49 | 362012   | 1   | GRASS DEFLECTOR         |   |
| 50 | 363350   | 4   | SPINDLE BEARING         |   |
| 51 | 363380   | 2   | BLADE SPINDLE HOUSING   |   |
| 52 | 583113   | 2   | BEARING SPACER TUBE     |   |
| 53 | 583112   | 2   | SPINDLE SHAFT           |   |
| 56 | 363379   | 2   | SPINDLE ASSY COMPLETE   |   |
| 57 | 363382   | 10  | BLADE SPACER            |   |
| 58 | 323031   | 1   | 32" DECK CHANNEL        |   |
| 59 | 322019   | 1   | SPACER BRACKET          |   |
| 60 | 104511   | 2   | 3/4"-16 HEX NUT         |   |
| 61 | 105010   | 2   | 3/4" LOCK WASHER        |   |
| 62 | 105269   | 2   | 3/4" S.A.E. FLAT WASHER |   |
| 63 | 583108   | 2   | 5/8" DISC SPRING WASHER |   |
| 64 | 362044   | 2   | CUTTER HOUSING ASSY     | 1 |
| 65 | 100353   | 2   | 5/8" X 9 1/2" HEX BOLT  | 1 |
| 66 | 105268   | 2   | 5/8" STD. FLAT WASHER   | 1 |
| 67 | 363170   | 10  | BLADE SPACER            | 1 |
| 68 | 108507   | 4   | 1" RETAINING RING       | 1 |
| 69 | 108506   | 4   | INT. SNAP RING          | 1 |
| 70 | 363060   | 2   | DUST CAP                | 1 |
| 71 | 363058   | 2   | SPINDLE SHAFT           | 1 |
| 72 | 111002   | 2   | 5/16" DRIVE ZERK        | 1 |
| 73 | 363053   | 2   | BLADE SPINDLE HOUSING   | 1 |
| 74 | 363216   | 2   | TAPER LOCK SHEAVE       | 1 |
| 75 | 363217   | 2   | TAPER LOCK HUB          | 1 |
| 76 | 100252   | 4   | 1/4" X 3/4" HEX BOLT    | 1 |
| 77 | 104510   | 2   | 5/8"-11 HEX NUT         | 1 |
| 78 | 363242   | 2   | BLADE SPINDLE KEY       | 1 |

**NOTES:**

1: Item refers to units prior to serial #33333

# 36" FRONT DECK ASSEMBLY



# HYDRO DRIVE WALK BEHIND 36" FRONT DECK ASSEMBLY

SEE NOTES

| #   | PART NO. | QTY | DESCRIPTION               |
|-----|----------|-----|---------------------------|
| 1   | 103027   | 3   | 3/8" WING NUT             |
| 2   | 105260   | 4   | 3/8" STD. FLAT WASHER     |
| 3   | 362043   | 1   | BELT COVER                |
| 4   | 363161   | 2   | BELT COVER CAP            |
| 5   | 363165   | 3   | HAIRPIN COTTER            |
| 6   | 363192   | 1   | LARGE YOKE                |
| 7   | 363196   | 1   | CLEVIS PIN                |
| 8   | 363194   | 1   | BLADE DRIVE LINKAGE       |
| 9   | 109014   | 1   | SHOULDER BOLT             |
| 10  | 363240   | 1   | SHOULDER SPACER           |
| 11  | 363085   | 1   | CAM LINK                  |
| 12  | 363080   | 1   | RIGHT EYEBOLT             |
| 13  | 109001   | 4   | 5/16" WHIZLOCK NUT        |
| 14  | 363172   | 1   | TURNBUCKLE BODY           |
| 15  | 363097   | 1   | TURNBUCKLE SPACER         |
| 16  | 363082   | 1   | LEFT EYEBOLT              |
| 17  | 363174   | 1   | EYEBOLT SPACER            |
| 18A | 100356   | 2   | 5/8"-11 X 1 1/2" HEX BOLT |
| 18B | 100358   | 2   | 5/8"-11 X 2 1/4" HEX BOLT |
| 19  | 100298   | 1   | 3/8" X 2 1/2" BOLT        |
| 20  | 109007   | 18  | 3/8" WHIZLOCK NUT         |
| 21  | 363264   | 1   | ENGAGEMENT IDLER (WF)     |
| 22  | 363249   | 1   | BELT SNUBBER              |
| 24  | 108509   | 1   | "E" RING                  |
| 25  | 363089   | 2   | BRONZE BUSHING            |
| 26  | 362071   | 1   | ENGAGEMENT ARM W/BUSHING  |
| 27  | 111004   | 1   | 1/4" - 28 ZERK            |
| 28  | 104256   | 14  | 5/16" NYLOC HEX NUT       |
| 29  | 362024   | 1   | IDLER PIVOT ASSY.         |
| 30  | 363210   | 1   | BLADE DRIVE BELT          |
| 34  | 363291   | 2   | 18" BLADE                 |
| 35  | 363378   | 2   | RAISED PULLEY             |
| 36  | 104257   | 1   | 3/8" NYLOC HEX NUT        |
| 37  | 363090   | 2   | BELT SHIELD SUPPORT       |
| 38  | 362018   | 2   | FRONT BELT GUIDE          |
| 39  | 100306   | 2   | 3/8" X 5" HEX BOLT        |
| 40  | 100309   | 6   | 7/16" 1" HEX BOLT         |
| 41  | 105007   | 6   | 7/16" LOCK WASHER         |
| 42  | 100274   | 8   | 5/16" X 1 1/4" HEX BOLT   |
| 43  | 100273   | 8   | 5/16" X 1" HEX BOLT       |
| 44  | 362077   | 1   | 36" FRONT DECK            |
| 45  | 109014   | 1   | SHOULDER BOLT             |

# HYDRO DRIVE WALK BEHIND 36" FRONT DECK ASSEMBLY

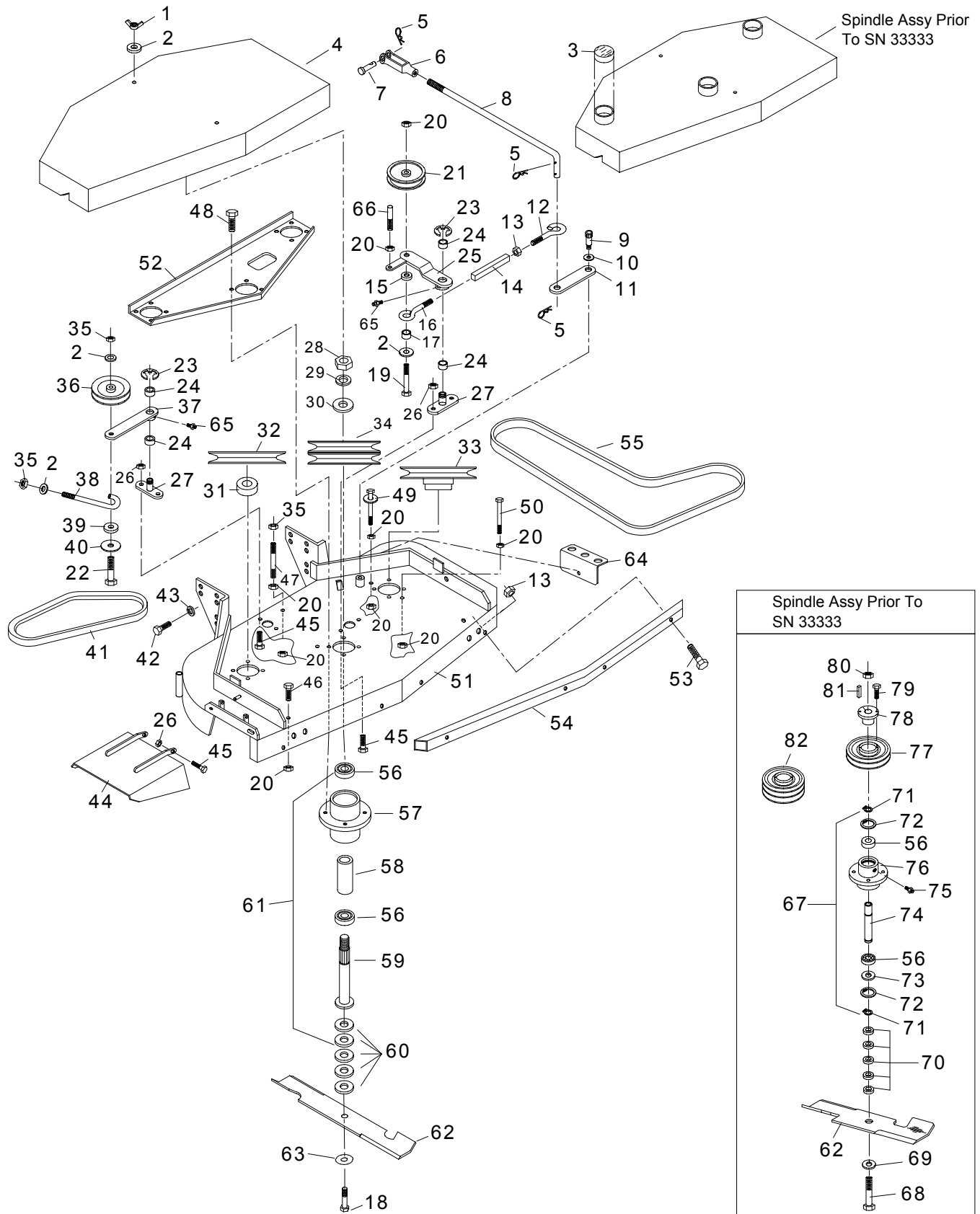
SEE NOTES

| #  | PART NO. | QTY | DESCRIPTION             |   |
|----|----------|-----|-------------------------|---|
| 46 | 363304   | 1   | SQUARE BUMPER           |   |
| 47 | 100276   | 3   | 5/16" X 1 3/4" HEX BOLT |   |
| 48 | 100292   | 6   | 3/8" X 1" HEX BOLT      |   |
| 49 | 362012   | 1   | GRASS DEFLECTOR         |   |
| 50 | 363350   | 4   | SPINDLE BEARING         |   |
| 51 | 363380   | 2   | BLADE SPINDLE HOUSING   |   |
| 52 | 583113   | 2   | BEARING SPACER TUBE     |   |
| 53 | 583112   | 2   | SPINDLE SHAFT           |   |
| 56 | 363379   | 2   | SPINDLE ASSY COMPLETE   |   |
| 57 | 363382   | 10  | BLADE SPACER            |   |
| 58 | 363301   | 1   | 36" DECK CHANNEL        |   |
| 59 | 322019   | 1   | SPACER BRACKET          |   |
| 60 | 104511   | 2   | 3/4"-16 HEX NUT         |   |
| 61 | 105010   | 2   | 3/4" LOCK WASHER        |   |
| 62 | 105269   | 2   | 3/4" S.A.E. FLAT WASHER |   |
| 63 | 583108   | 2   | 5/8" DISC SPRING WASHER |   |
| 64 | 362044   | 2   | CUTTER HOUSING ASSY     | 1 |
| 65 | 100353   | 2   | 5/8" X 9 1/2" HEX BOLT  | 1 |
| 66 | 105268   | 2   | 5/8" STD. FLAT WASHER   | 1 |
| 67 | 363170   | 10  | BLADE SPACER            | 1 |
| 68 | 108507   | 4   | 1" RETAINING RING       | 1 |
| 69 | 108506   | 4   | INT. SNAP RING          | 1 |
| 70 | 363060   | 2   | DUST CAP                | 1 |
| 71 | 363058   | 2   | SPINDLE SHAFT           | 1 |
| 72 | 111002   | 2   | 5/16" DRIVE ZERK        | 1 |
| 73 | 363053   | 2   | BLADE SPINDLE HOUSING   | 1 |
| 74 | 363216   | 2   | TAPER LOCK SHEAVE       | 1 |
| 75 | 363217   | 2   | TAPER LOCK HUB          | 1 |
| 76 | 100252   | 4   | 1/4" X 3/4" HEX BOLT    | 1 |
| 77 | 104510   | 2   | 5/8"-11 HEX NUT         | 1 |
| 78 | 363242   | 2   | BLADE SPINDLE KEY       | 1 |

## NOTES:

1: Item refers to units prior to serial #33333

# 48" FRONT DECK ASSEMBLY



# HYDRO DRIVE WALK BEHIND 48" FRONT DECK ASSEMBLY

SEE NOTES

| #   | PART NO. | QTY | DESCRIPTION               |
|-----|----------|-----|---------------------------|
| 1   | 103027   | 3   | 3/8" WING NUT             |
| 2   | 105260   | 4   | 3/8" STD. FLAT WASHER     |
| 3   | 362043   | 1   | BELT COVER                |
| 4   | 363161   | 2   | BELT COVER CAP            |
| 5   | 363165   | 3   | HAIRPIN COTTER            |
| 6   | 363192   | 1   | LARGE YOKE                |
| 7   | 363196   | 1   | CLEVIS PIN                |
| 8   | 483028   | 1   | BLADE DRIVE LINKAGE       |
| 9   | 109014   | 1   | SHOULDER BOLT             |
| 10  | 363240   | 1   | SHOULDER SPACER           |
| 11  | 363085   | 1   | CAM LINK                  |
| 12  | 363080   | 1   | RIGHT EYEBOLT             |
| 13  | 109001   | 4   | 5/16" WHIZLOCK NUT        |
| 14  | 363172   | 1   | TURNBUCKLE BODY           |
| 15  | 363097   | 1   | TURNBUCKLE SPACER         |
| 16  | 363082   | 1   | LEFT EYEBOLT              |
| 17  | 363174   | 1   | EYEBOLT SPACER            |
| 18A | 100356   | 2   | 5/8"-11 X 1 1/2" HEX BOLT |
| 18B | 100358   | 2   | 5/8"-11 X 2 1/4" HEX BOLT |
| 19  | 100298   | 1   | 3/8" X 2 1/2" BOLT        |
| 20  | 109007   | 18  | 3/8" WHIZLOCK NUT         |
| 21  | 363264   | 1   | ENGAGEMENT IDLER (WF)     |
| 22  | 100297   | 1   | 3/8" x 2 1/4" HEX BOLT    |
| 23  | 108509   | 1   | "E" RING                  |
| 24  | 363089   | 4   | BRONZE BUSHING            |
| 25  | 362071   | 1   | ENGAGEMENT ARM W/BUSHING  |
| 26  | 104256   | 15  | 5/16" NYLOC HEX NUT       |
| 27  | 362024   | 2   | IDLER PIVOT ASSY.         |
| 28  | 104511   | 3   | 3/4"-16 HEX NUT           |
| 29  | 105010   | 3   | 3/4" LOCK WASHER          |
| 30  | 105269   | 3   | 3/4" S.A.E. FLAT WASHER   |
| 31  | 583110   | 1   | PULLEY SPACER             |
| 32  | 583107   | 1   | PULLEY                    |
| 33  | 363378   | 1   | RAISED PULLEY             |
| 34  | 363377   | 1   | DOUBLE PULLEY             |
| 35  | 104257   | 3   | 3/8" NYLOC HEX NUT        |
| 36  | 483025   | 1   | RIGHT HAND IDLER PULLEY   |
| 37  | 482005   | 1   | IDLER ARM RIGHT           |
| 38  | 483003   | 1   | BELT TENSION ROD          |
| 39  | 483017   | 1   | RIGHT HAND IDLER SPACER   |
| 40  | 483019   | 1   | RIGHT HAND IDLER WASHER   |
| 41  | 483031   | 1   | RIGHT HAND BLADE BELT     |
| 42  | 100309   | 6   | 7/16" X 1" HEX BOLT       |
| 43  | 105007   | 6   | 7/16" LOCK WASHER         |
| 44  | 482017   | 1   | GRASS DEFLECTOR           |

# HYDRO DRIVE WALK BEHIND 48" FRONT DECK ASSEMBLY

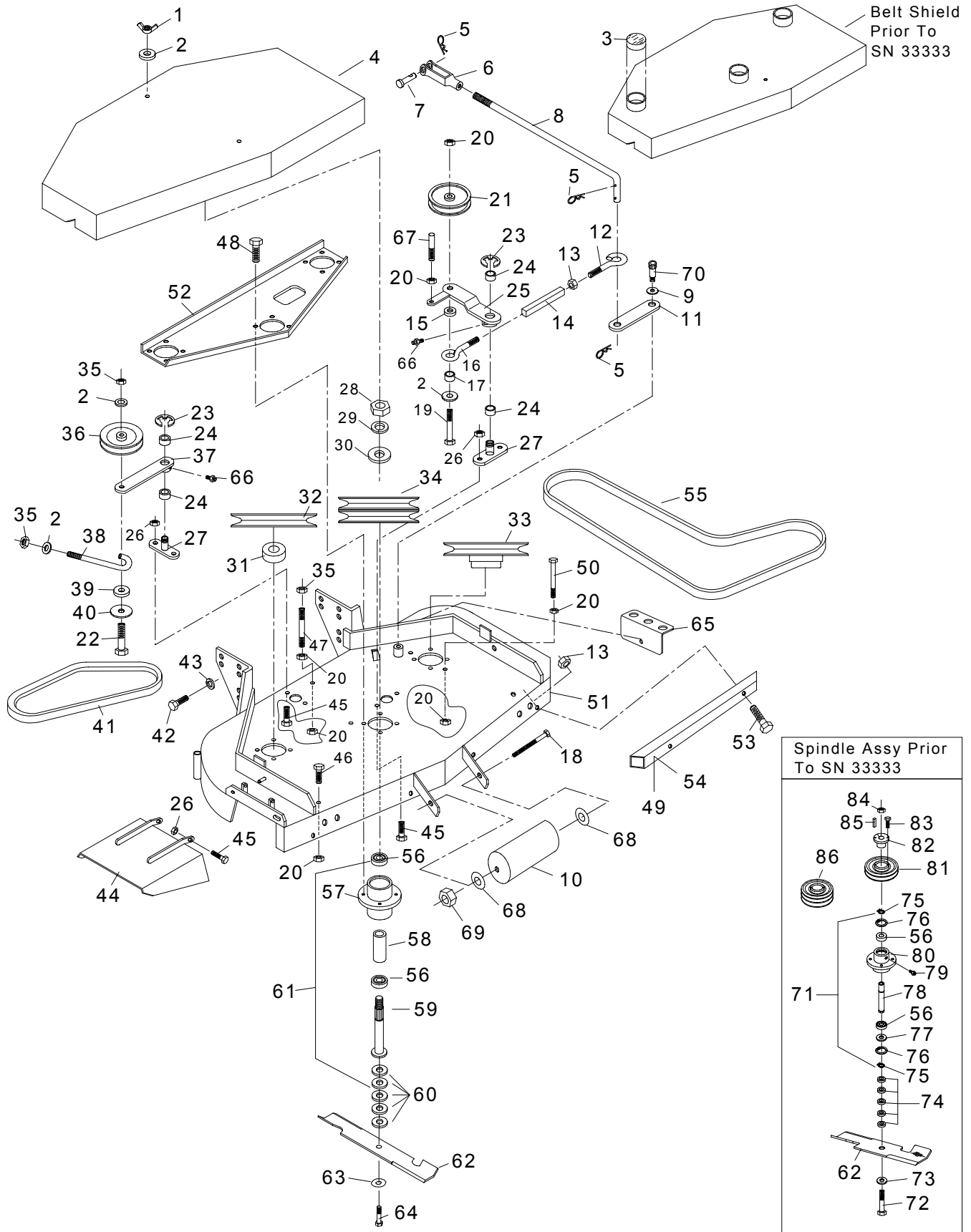
SEE NOTES

| #  | PART NO. | QTY | DESCRIPTION             |   |
|----|----------|-----|-------------------------|---|
| 45 | 100273   | 8   | 5/16" X 1" HEX BOLT     |   |
| 46 | 100292   | 8   | 3/8" X 1" HEX BOLT      |   |
| 47 | 363090   | 1   | BE.T SHIELD SUPPORT     |   |
| 48 | 100274   | 12  | 5/16" X 1 1/4" HEX BOLT |   |
| 49 | 362018   | 1   | FRONT BELT GUIDE        |   |
| 50 | 100306   | 3   | 3/8" X 5" HEX BOLT      |   |
| 51 | 482019   | 1   | 48" FRONT DECK          |   |
| 52 | 482015   | 1   | 48" DECK CHANNEL        |   |
| 53 | 100276   | 4   | 5/16" X 1 3/4" HEX BOLT |   |
| 54 | 483043   | 1   | SQUARE BUMPER           |   |
| 55 | 483030   | 1   | BLADE DRIVE BELT        |   |
| 56 | 363350   | 6   | SPINDLE BEARING         |   |
| 57 | 363380   | 3   | BLADE SPINDLE HOUSING   |   |
| 58 | 583113   | 3   | BEARING SPACER TUBE     |   |
| 59 | 583112   | 3   | SPINDLE SHAFT           |   |
| 60 | 363382   | 15  | BLADE SPACER            |   |
| 61 | 363379   | 3   | CUTTER HOUSING ASSY     |   |
| 62 | 483035   | 3   | 16" BLADE               |   |
| 63 | 583108   | 3   | 5/8" DISC SPRING WASHER |   |
| 64 | 322019   | 1   | SPACER BRACKET          |   |
| 65 | 322019   | 2   | 1/4" ZERK               |   |
| 66 | 363249   | 1   | BELT SNUBBER            |   |
| 67 | 362044   | 3   | CUTTER HOUSING ASSY     | 1 |
| 68 | 100353   | 3   | 5/8" X 9 1/2" HEX BOLT  | 1 |
| 69 | 105268   | 3   | 5/8" STD. FLAT WASHER   | 1 |
| 70 | 363170   | 15  | BLADE SPACER            | 1 |
| 71 | 108507   | 6   | 1" RETAINING RING       | 1 |
| 72 | 108506   | 6   | INT. SNAP RING          | 1 |
| 73 | 363060   | 3   | DUST CAP                | 1 |
| 74 | 363058   | 3   | SPINDLE SHAFT           | 1 |
| 75 | 111002   | 3   | 5/16" DRIVE ZERK        | 1 |
| 76 | 363053   | 3   | BLADE SPINDLE HOUSING   | 1 |
| 77 | 363216   | 2   | TAPER LOCK SHEAVE       | 1 |
| 78 | 363217   | 3   | TAPER LOCK HUB          | 1 |
| 79 | 100252   | 6   | 1/4" X 3/4" HEX BOLT    | 1 |
| 80 | 104510   | 3   | 5/8"-11 HEX NUT         | 1 |
| 81 | 363242   | 3   | BLADE SPINDLE KEY       | 1 |
| 82 | 483026   | 1   | TAPER LOCK DBLE SHEAVE  | 1 |

**NOTES:**

1: Item refers to units prior to serial #33333

# 52" FRONT DECK ASSEMBLY



# HYDRO DRIVE WALK BEHIND 52" FRONT DECK ASSEMBLY

SEE NOTES

| #  | PART NO. | QTY | DESCRIPTION              |
|----|----------|-----|--------------------------|
| 1  | 103027   | 4   | 3/8" WING NUT            |
| 2  | 105260   | 6   | 3/8" STD. FLAT WASHER    |
| 3  | 363161   | 3   | BELT COVER CAP           |
| 4  | 522138   | 1   | BELT SHIELD ASSY         |
| 5  | 363165   | 3   | HAIRPIN COTTER           |
| 6  | 363192   | 1   | LARGE YOKE               |
| 7  | 363196   | 1   | CLEVIS PIN               |
| 8  | 363194   | 1   | BLADE DRIVE LINKAGE      |
| 9  | 363240   | 1   | SHOULDER SPACER          |
| 10 | 603023   | 1   | ROLLER                   |
| 11 | 363085   | 1   | CAM LINK                 |
| 12 | 363080   | 1   | RIGHT EYEBOLT            |
| 13 | 109001   | 5   | 5/16" WHIZLOCK NUT       |
| 14 | 363172   | 1   | TURNBUCKLE BODY          |
| 15 | 363097   | 1   | TURNBUCKLE SPACER        |
| 16 | 363082   | 1   | LEFT EYEBOLT             |
| 17 | 363174   | 1   | EYEBOLT SPACER           |
| 18 | 100352   | 1   | 5/8" X 9" HEX BOLT       |
| 19 | 100298   | 1   | 3/8" X 2 1/2" HEX BOLT   |
| 20 | 109007   | 12  | 3/8" WHIZLOCK NUT        |
| 21 | 363264   | 1   | ENGAGEMENT IDLER (WF)    |
| 22 | 100297   | 1   | 3/8" X 2 1/4" HEX BOLT   |
| 23 | 108509   | 1   | "E" RING                 |
| 24 | 363089   | 4   | BRONZE BUSHING           |
| 25 | 362071   | 1   | ENGAGEMENT ARM W/BUSHING |
| 26 | 104256   | 15  | 5/16" NYLOC HEX NUT      |
| 27 | 362024   | 2   | IDLER PIVOT ASSY.        |
| 28 | 104511   | 3   | 3/4" HEX NUT             |
| 29 | 105010   | 3   | 3/4" LOCK WASHER         |
| 30 | 105269   | 3   | 3/4" S.A.E. FLAT WASHER  |
| 31 | 583110   | 1   | PULLEY SPACER            |
| 32 | 583107   | 1   | PULLEY                   |
| 33 | 363378   | 1   | RAISED PULLEY            |
| 34 | 363377   | 1   | DOUBLE PULLEY            |
| 35 | 104257   | 3   | 3/8" NYLOC HEX NUT       |
| 36 | 483025   | 1   | RIGHT HAND IDLER PULLEY  |
| 37 | 482005   | 1   | IDLER ARM RIGHT          |
| 38 | 483003   | 1   | BELT TENSION ROD         |
| 39 | 483017   | 1   | RIGHT HAND IDLER SPACER  |
| 40 | 483019   | 1   | RIGHT HAND IDLER WASHER  |
| 41 | 523453   | 1   | RIGHT HAND BLADE BELT    |
| 42 | 100309   | 6   | 7/16" X 1" HEX BOLT      |
| 43 | 105007   | 6   | 7/16" LOCK WASHER        |
| 44 | 482017   | 1   | GRASS DEFLECTOR          |
| 45 | 100273   | 8   | 5/16" X 1" HEX BOLT      |

# HYDRO DRIVE WALK BEHIND 52" FRONT DECK ASSEMBLY

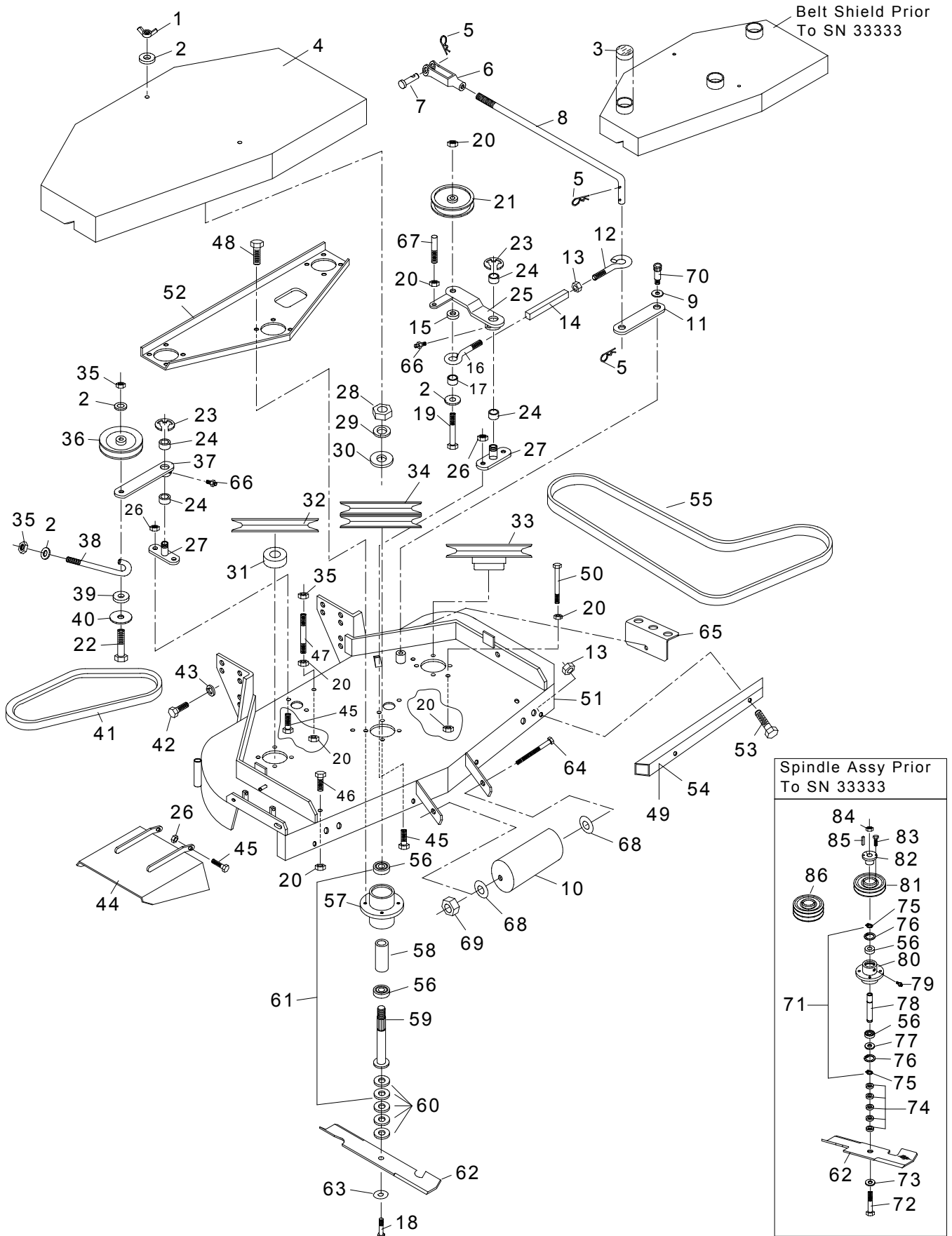
SEE NOTES

| #   | PART NO. | QTY | DESCRIPTION               |   |
|-----|----------|-----|---------------------------|---|
| 46  | 100292   | 8   | 3/8" X 1" HEX BOLT        |   |
| 47  | 363090   | 1   | BELT SHIELD SUPPORT       |   |
| 48  | 100274   | 8   | 5/16" X 1 1/4" HEX BOLT   |   |
| 49  | 523464   | 1   | RIGHT HAND BUMPER         |   |
| 50  | 100306   | 4   | 3/8" X 5" HEX BOLT        |   |
| 51  | 522140   | 1   | 52" FRONT DECK            |   |
| 52  | 522146   | 1   | DECK CHANNEL              |   |
| 53  | 100276   | 4   | 5/16" X 1 3/4" HEX BOLT   |   |
| 54  | 523464   | 1   | LEFT HAND BUMPER          |   |
| 55  | 523452   | 1   | BLADE DRIVE BELT          |   |
| 56  | 363350   | 6   | SPINDLE BEARING           |   |
| 57  | 363380   | 3   | BLADE SPINDLE HOUSING     |   |
| 58  | 583113   | 3   | BEARING SPACER TUBE       |   |
| 59  | 583112   | 3   | SPINDLE SHAFT             |   |
| 60  | 363382   | 15  | BLADE SPACER              |   |
| 61  | 363379   | 3   | CUTTER HOUSING ASSY       |   |
| 62  | 363291   | 3   | 18" BLADE                 |   |
| 63  | 583108   | 3   | 5/8" DISC SPRING WASHER   |   |
| 64A | 100356   | 3   | 5/8"-11 X 1 1/2" HEX BOLT |   |
| 64B | 100358   | 3   | 5/8"-11 X 2 1/4" HEX BOLT |   |
| 65  | 323040   | 1   | SPACER BRACKET            |   |
| 66  | 111004   | 2   | 1/4" ZERK                 |   |
| 67  | 363249   | 1   | BELT SNUBBER              | 1 |
| 68  | 105268   | 5   | 5/8" FLAT WASHER          | 1 |
| 69  | 104269   | 1   | 5/8" NYLOC NUT            | 1 |
| 70  | 109014   | 1   | SHOULDER BOLT             | 1 |
| 71  | 362044   | 3   | CUTTER HOUSING ASSY       | 1 |
| 72  | 100353   | 3   | 5/8" X 9 1/2" HEX BOLT    | 1 |
| 73  | 105268   | 3   | 5/8" STD. FLAT WASHER     | 1 |
| 74  | 363170   | 15  | BLADE SPACER              | 1 |
| 75  | 108507   | 6   | 1" RETAINING RING         | 1 |
| 76  | 108506   | 6   | INT. SNAP RING            | 1 |
| 77  | 363060   | 3   | DUST CAP                  | 1 |
| 78  | 363058   | 3   | SPINDLE SHAFT             | 1 |
| 79  | 111002   | 3   | 5/16" DRIVE ZERK          | 1 |
| 80  | 363053   | 3   | BLADE SPINDLE HOUSING     | 1 |
| 81  | 363216   | 2   | TAPER LOCK SHEAVE         | 1 |
| 82  | 363217   | 3   | TAPER LOCK HUB            | 1 |
| 83  | 100252   | 6   | 1/4" X 3/4" HEX BOLT      | 1 |
| 84  | 104510   | 3   | 5/8"-11 HEX NUT           | 1 |
| 85  | 363242   | 3   | BLADE SPINDLE KEY         | 1 |
| 86  | 483026   | 1   | TAPER LOCK DBLE SHEAVE    | 1 |

**NOTES:**

1: Item refers to units prior to serial #33333

# 60" FRONT DECK ASSEMBLY



Belt Shield Prior To SN 33333

Spindle Assy Prior To SN 33333

# HYDRO DRIVE WALK BEHIND 60" FRONT DECK ASSEMBLY

SEE NOTES

| #   | PART NO. | QTY | DESCRIPTION               |
|-----|----------|-----|---------------------------|
| 1   | 103027   | 4   | 3/8" WING NUT             |
| 2   | 105260   | 6   | 3/8" STD. FLAT WASHER     |
| 3   | 363361   | 3   | BELT COVER CAP            |
| 4   | 602008   | 1   | BELT COVER                |
| 5   | 363165   | 3   | HAIRPIN COTTER            |
| 6   | 363192   | 1   | LARGE YOKE                |
| 7   | 363196   | 1   | CLEVIS PIN                |
| 8   | 603014   | 1   | BLADE DRIVE LINKAGE       |
| 9   | 363240   | 1   | SHOULDER SPACER           |
| 10  | 603023   | 1   | ROLLER                    |
| 11  | 363085   | 1   | CAM LINK                  |
| 12  | 363080   | 1   | RIGHT EYEBOLT             |
| 13  | 109001   | 5   | 5/16" WHIZLOCK NUT        |
| 14  | 363172   | 1   | TURNBUCKLE BODY           |
| 15  | 363097   | 1   | TURNBUCKLE SPACER         |
| 16  | 363082   | 1   | LEFT EYEBOLT              |
| 17  | 363174   | 1   | EYEBOLT SPACER            |
| 18A | 100356   | 3   | 5/8"-11 X 1 1/2" HEX BOLT |
| 18B | 100358   | 3   | 5/8"-11 X 2 1/4" HEX BOLT |
| 19  | 100298   | 1   | 3/8" X 2 1/2" BOLT        |
| 20  | 109007   | 12  | 3/8" WHIZLOCK NUT         |
| 21  | 363264   | 1   | ENGAGEMENT IDLER (WF)     |
| 22  | 100297   | 1   | 3/8" x 2 1/4" HEX BOLT    |
| 23  | 108509   | 1   | "E" RING                  |
| 24  | 363089   | 4   | BRONZE BUSHING            |
| 25  | 362071   | 1   | ENGAGEMENT ARM W/BUSHING  |
| 26  | 104256   | 15  | 5/16" NYLOC HEX NUT       |
| 27  | 362024   | 2   | IDLER PIVOT ASSY.         |
| 28  | 104511   | 3   | 3/4"-16 HEX NUT           |
| 29  | 105010   | 3   | 3/4" LOCK WASHER          |
| 30  | 105269   | 3   | 3/4" S.A.E. FLAT WASHER   |
| 31  | 583110   | 1   | PULLEY SPACER             |
| 32  | 583107   | 1   | PULLEY                    |
| 33  | 363378   | 1   | RAISED PULLEY             |
| 34  | 363377   | 1   | DOUBLE PULLEY             |
| 35  | 104257   | 3   | 3/8" NYLOC HEX NUT        |
| 36  | 483025   | 1   | RIGHT HAND IDLER PULLEY   |
| 37  | 482005   | 1   | IDLER ARM RIGHT           |
| 38  | 483003   | 1   | BELT TENSION ROD          |
| 39  | 483017   | 1   | RIGHT HAND IDLER SPACER   |
| 40  | 483019   | 1   | RIGHT HAND IDLER WASHER   |
| 41  | 603016   | 1   | RIGHT HAND BLADE BELT     |

# HYDRO DRIVE WALK BEHIND 60" FRONT DECK ASSEMBLY

SEE NOTES

| #  | PART NO. | QTY | DESCRIPTION             |   |
|----|----------|-----|-------------------------|---|
| 42 | 100309   | 6   | 7/16" X 1" HEX BOLT     |   |
| 43 | 105007   | 6   | 7/16" LOCK WASHER       |   |
| 44 | 482017   | 1   | GRASS DEFLECTOR         |   |
| 45 | 100273   | 8   | 5/16" X 1" HEX BOLT     |   |
| 46 | 100292   | 6   | 3/8" X 1" HEX BOLT      |   |
| 47 | 363090   | 1   | BELT SHIELD SUPPORT     |   |
| 48 | 100274   | 12  | 5/16" X 1 1/4" HEX BOLT |   |
| 49 | 603038   | 1   | RIGHT HAND BUMPER       |   |
| 50 | 100306   | 3   | 3/8" X 5" HEX BOLT      |   |
| 51 | 602011   | 1   | 60" FRONT DECK          |   |
| 52 | 602010   | 1   | 60" DECK CHANNEL        |   |
| 53 | 100276   | 4   | 5/16" X 1 3/4" HEX BOLT |   |
| 54 | 603040   | 1   | LEFT HAND BUMPER        |   |
| 55 | 603015   | 1   | BLADE DRIVE BELT        |   |
| 56 | 363350   | 6   | SPINDLE BEARING         |   |
| 57 | 363380   | 3   | BLADE SPINDLE HOUSING   |   |
| 58 | 583113   | 3   | BEARING SPACER TUBE     |   |
| 59 | 583112   | 3   | SPINDLE SHAFT           |   |
| 60 | 363382   | 15  | BLADE SPACER            |   |
| 61 | 363379   | 3   | CUTTER HOUSING ASSY     |   |
| 62 | 603035   | 3   | 20" BLADE               |   |
| 63 | 583108   | 3   | 5/8" DISC SPRING WASHER |   |
| 64 | 100352   | 1   | 5/8" X 9" HEX BOLT      |   |
| 65 | 322019   | 1   | SPACER BRACKET          |   |
| 66 | 111004   | 2   | 1/4" ZERK               |   |
| 67 | 363249   | 1   | BELT SNUBBER            |   |
| 68 | 105268   | 5   | 5/8" FLAT WASHER        |   |
| 69 | 104261   | 1   | 5/8" NYLOCK NUT         |   |
| 70 | 109014   | 1   | SHOULDER BOLT           |   |
| 71 | 362044   | 3   | CUTTER HOUSING ASSY     | 1 |
| 72 | 100353   | 3   | 5/8" X 9 1/2" HEX BOLT  | 1 |
| 73 | 105268   | 3   | 5/8" STD. FLAT WASHER   | 1 |
| 74 | 363170   | 15  | BLADE SPACER            | 1 |
| 75 | 108507   | 6   | 1" RETAINING RING       | 1 |
| 76 | 108506   | 6   | INT. SNAP RING          | 1 |
| 77 | 363060   | 3   | DUST CAP                | 1 |
| 78 | 363058   | 3   | SPINDLE SHAFT           | 1 |
| 79 | 111002   | 3   | 5/16" DRIVE ZERK        | 1 |
| 80 | 363053   | 3   | SPINDLE HOUSING         | 1 |
| 81 | 363216   | 2   | TAPER LOCK SHEAVE       | 1 |
| 82 | 363217   | 3   | TAPER LOCK HUB          | 1 |
| 83 | 100252   | 6   | 1/4" X 3/4" HEX BOLT    | 1 |

# HYDRO DRIVE WALK BEHIND 60" FRONT DECK ASSEMBLY

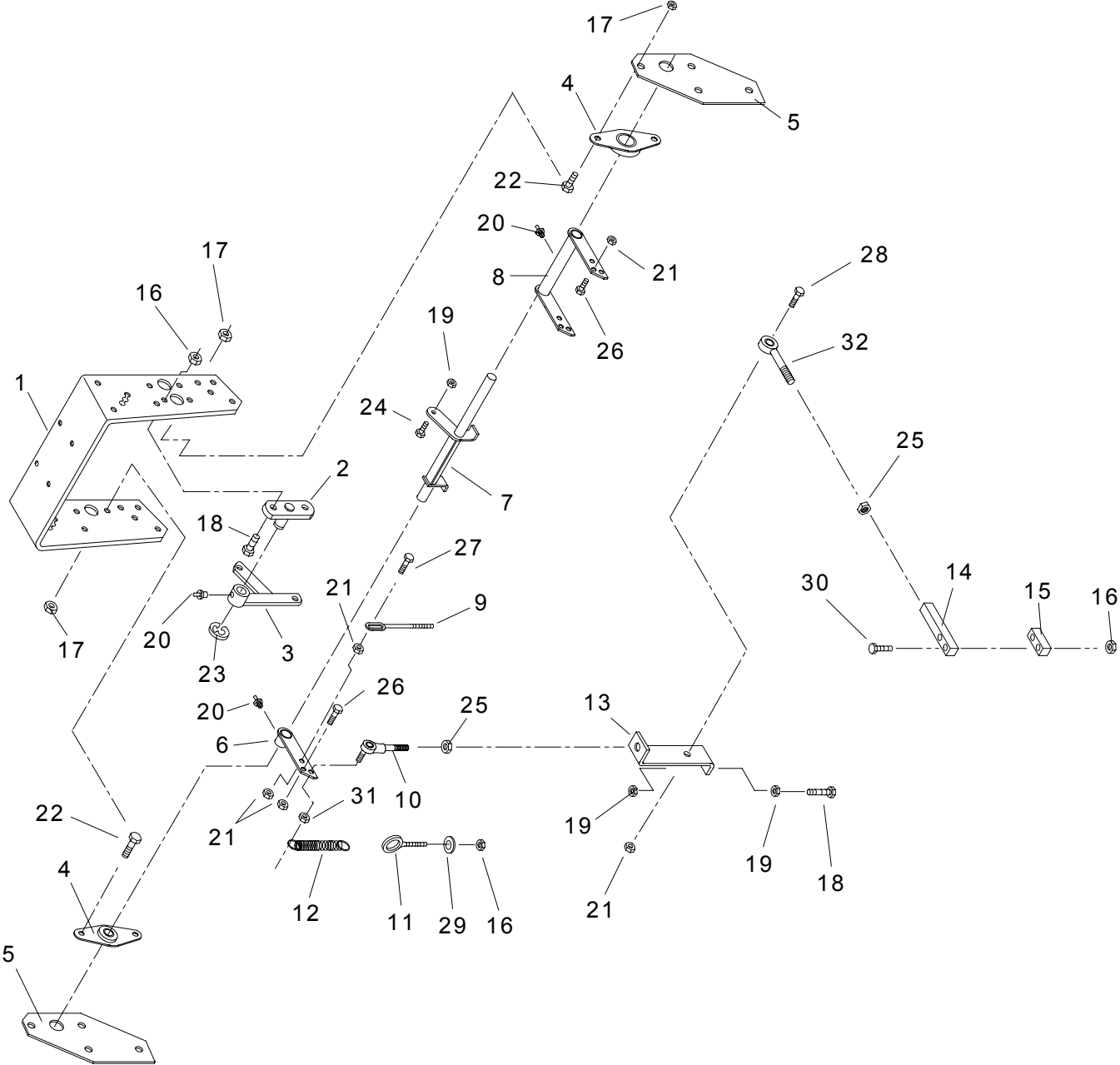
SEE NOTES

| #  | PART NO. | QTY | DESCRIPTION            |   |
|----|----------|-----|------------------------|---|
| 84 | 104510   | 3   | 5/8"-11 HEX NUT        | 1 |
| 85 | 363242   | 3   | BLADE SPINDLE KEY      | 1 |
| 86 | 483026   | 1   | TAPER LOCK DBLE SHEAVE | 1 |

## NOTES:

1: Item refers to units prior to serial #33333

# CONTROL ASSEMBLY

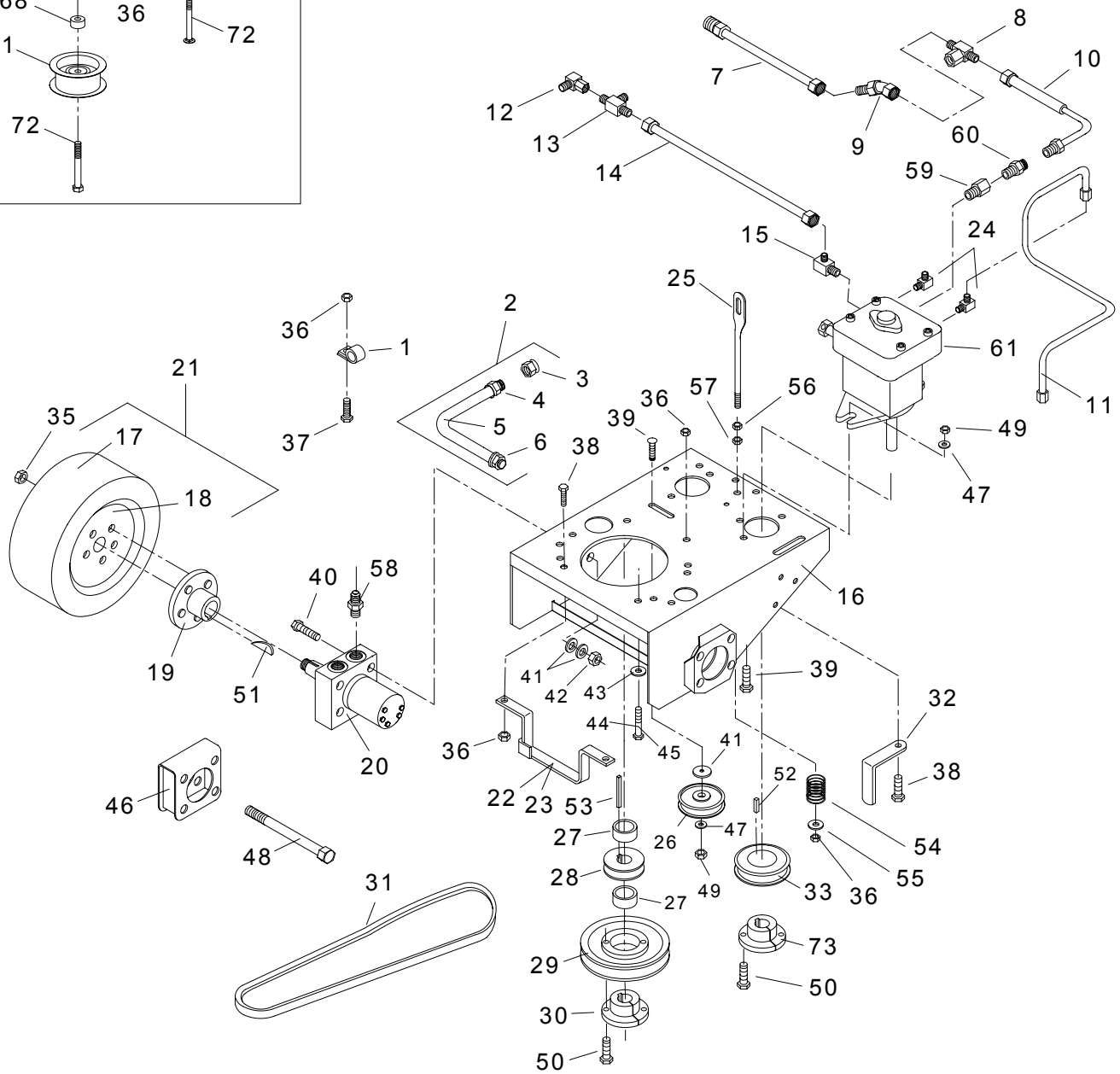
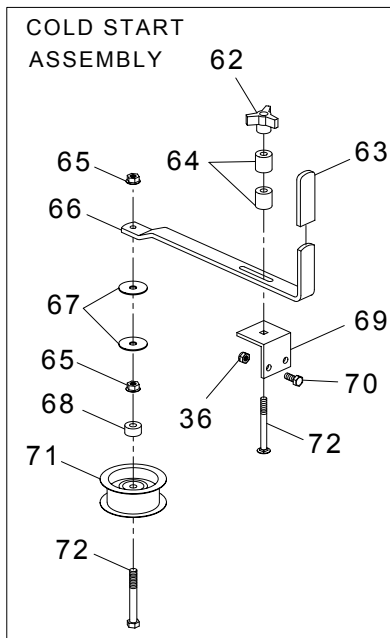


# HYDRO WALK BEHIND CONTROL ASSEMBLY

| #  | PART NO. | QTY | DESCRIPTION                |
|----|----------|-----|----------------------------|
| 1  | 363148   | 1   | LOWER HANDLE               |
| 2  | 362033   | 1   | BELL CRANK MOUNT           |
| 3  | 362040   | 1   | BELL CRANK                 |
| 4  | 363292   | 2   | FLANGE BEARING             |
| 5  | 453150   | 2   | CONTROL BEARING MOUNT      |
| 6  | 452028   | 1   | RIGHT CONTROL W/ZERK       |
| 7  | 452018   | 1   | CAM WELDMENT               |
| 8  | 452027   | 1   | LEFT CONTROL W/ZERK        |
| 9  | 453080   | 2   | STOP ROD                   |
| 10 | 423160   | 2   | MALE ROD END               |
| 11 | 453130   | 2   | 1/4" EYE BOLT              |
| 12 | 363117   | 2   | TENSION SPRING             |
| 13 | 453148   | 2   | THREADED PUMP LINK         |
| 14 | 453092   | 2   | PUMP CONTROL BAR           |
| 15 | 453090   | 2   | CLAMP BAR                  |
| 16 | 104255   | 8   | 1/4"-20 NYLOC HEX NUT      |
| 17 | 100292   | 8   | 3/8"-16 NYLOC HEX NUT      |
| 18 | 100004   | 4   | 1/4"-20 X 1" HEX BOLT      |
| 19 | 109000   | 5   | 1/4"-20 WHIZLOC NUT        |
| 20 | 111004   | 3   | 1/4"-28 GREASE ZERK        |
| 21 | 109001   | 10  | 5/16"-18 WHIZLOCK NUT      |
| 22 | 100292   | 8   | 3/8"-16 X 1" HEX BOLT      |
| 23 | 108500   | 1   | 5/8" E-RING                |
| 24 | 100255   | 1   | 1/4"-20 X 1 1/4" HEX BOLT  |
| 25 | 104752   | 6   | 5/16"-24 JAM NUT           |
| 26 | 100274   | 2   | 5/16"-18 X 1 1/4" HEX BOLT |
| 27 | 100275   | 2   | 5/16"-18 X 1 1/2" HEX BOLT |
| 28 | 100273   | 2   | 5/16"-18 X 1" HEX BOLT     |
| 29 | 105256   | 2   | 1/4" FLAT WASHER           |
| 30 | 100257   | 4   | 1/4"-20 X 1 3/4" HEX BOLT  |
| 31 | 104251   | 2   | 3/8"-24 NYLOC NUT          |
| 32 | 453082   | 2   | .312 ROD END (MALE)        |

**NOTES:**

# REAR DECK ASSEMBLY



# HYDRO WALK BEHIND REAR DECK ASSEMBLY

SEE NOTES

| #   | PART NO. | QTY | DESCRIPTION                      |   |
|-----|----------|-----|----------------------------------|---|
| 1   | 603031   | 1   | DRAIN CLAMP (VANGUARD)           |   |
| 2   | 602006   | 1   | OIL DRAIN ASSY (VANGUARD)        |   |
| 3   | 603030   | 1   | DRAIN CAP (VANGUARD)             |   |
| 4   | 603029   | 1   | DRAIN FITTING (VANGUARD)         |   |
| 5   | 603025   | 1   | DRAIN LINE (VANGUARD)            |   |
| 6   | 603026   | 1   | ENGINE FITTING (VANGUARD)        |   |
| 7   | 453129   | 1   | TANK TO PUMP LINE                |   |
| 8   | 453106   | 1   | SWIVEL TEE                       |   |
| 9   | 453075   | 1   | 45 DEGREE SWIVEL                 |   |
| 10  | 453127   | 1   | PUMP TO PUMP FEED                |   |
| 11A | 453118   | 1   | RIGHT HAND INSIDE LINE           |   |
| 11A | 453119   | 1   | RIGHT HAND OUTSIDE LINE          |   |
| 11A | 453120   | 1   | LEFT HAND INSIDE LINE            |   |
| 11A | 453121   | 1   | LEFT HAND OUTSIDE LINE           |   |
| 11B | 453122   | 1   | RIGHT HAND INSIDE LINE           | 2 |
| 11B | 453123   | 1   | RIGHT HAND OUTSIDE LIINE         | 2 |
| 11B | 453124   | 1   | LEFT HAND INSIDE LINE            | 2 |
| 11B | 453125   | 1   | LEFT HAND OUTSIDE LINE           | 2 |
| 12  | 453109   | 1   | 90 DEGREE SWIVEL                 |   |
| 13  | 453020   | 1   | CROSS ADAPTER                    |   |
| 14  | 453126   | 1   | PUMP TO PUMP RETURN              |   |
| 15  | 453074   | 1   | 90 DEGREE ADAPTER                |   |
| 16  | 452002   | 1   | HYDRO REAR DECK                  |   |
| 17A | 453066   | 2   | TIRE 16-6.50 X 8                 |   |
| 17B | 323034   | 2   | TIRE 16-6.50 X 8 (32" DECK)      |   |
| 18A | 453067   | 2   | RIM W/VALVE STEM                 |   |
| 18B | 323035   | 2   | RIM W/VALVE STEM (32" DECK)      |   |
| 19  | 453064   | 2   | WHEEL HUB                        |   |
| 20  | 453068   | 2   | WHEEL MOTOR                      |   |
| 21A | 453065   | 2   | RIM & TIRE COMPLETE              |   |
| 21B | 323032   | 2   | RIM & TIRE COMPLETE (32" DECK)   |   |
| 22  | 362031   | 1   | BELT GUIDE BRKT (32" & 36" DECK) |   |
| 23A | 482003   | 1   | BELT GUIDE BRKT (48" & 60" DECK) |   |
| 23B | 383003   | 1   | BELT GUIDE BRKT (52" DECK)       |   |
| 24  | 453113   | 4   | PUMP ELBOW                       |   |
| 25  | 453080   | 2   | STOP ROD                         |   |
| 26  | 363169   | 1   | SMALL IDLER                      |   |
| 27  | 363124   | 2   | SPACER                           |   |
| 28  | 453071   | 1   | PUMP DRIVE PULLEY                |   |
| 29A | 363216   | 1   | TAPER LOCK SHEAVE                |   |
| 29B | 823289   | 1   | TAPER LOCK SHEAVE (52" DECK)     |   |
| 30  | 363215   | 1   | 1" TAPER HUB                     |   |
| 31  | 363212   | 1   | DRIVE BELT                       |   |
| 32  | 523320   | 1   | FLAT BELT GUIDE                  |   |
| 33A | 453161   | 2   | HYDRO PULLEY-TAPER LOCK          |   |
| 33B | 453117   | 2   | REPLACED BY 453161 & 423178      | 1 |

# HYDRO WALK BEHIND REAR DECK ASSEMBLY

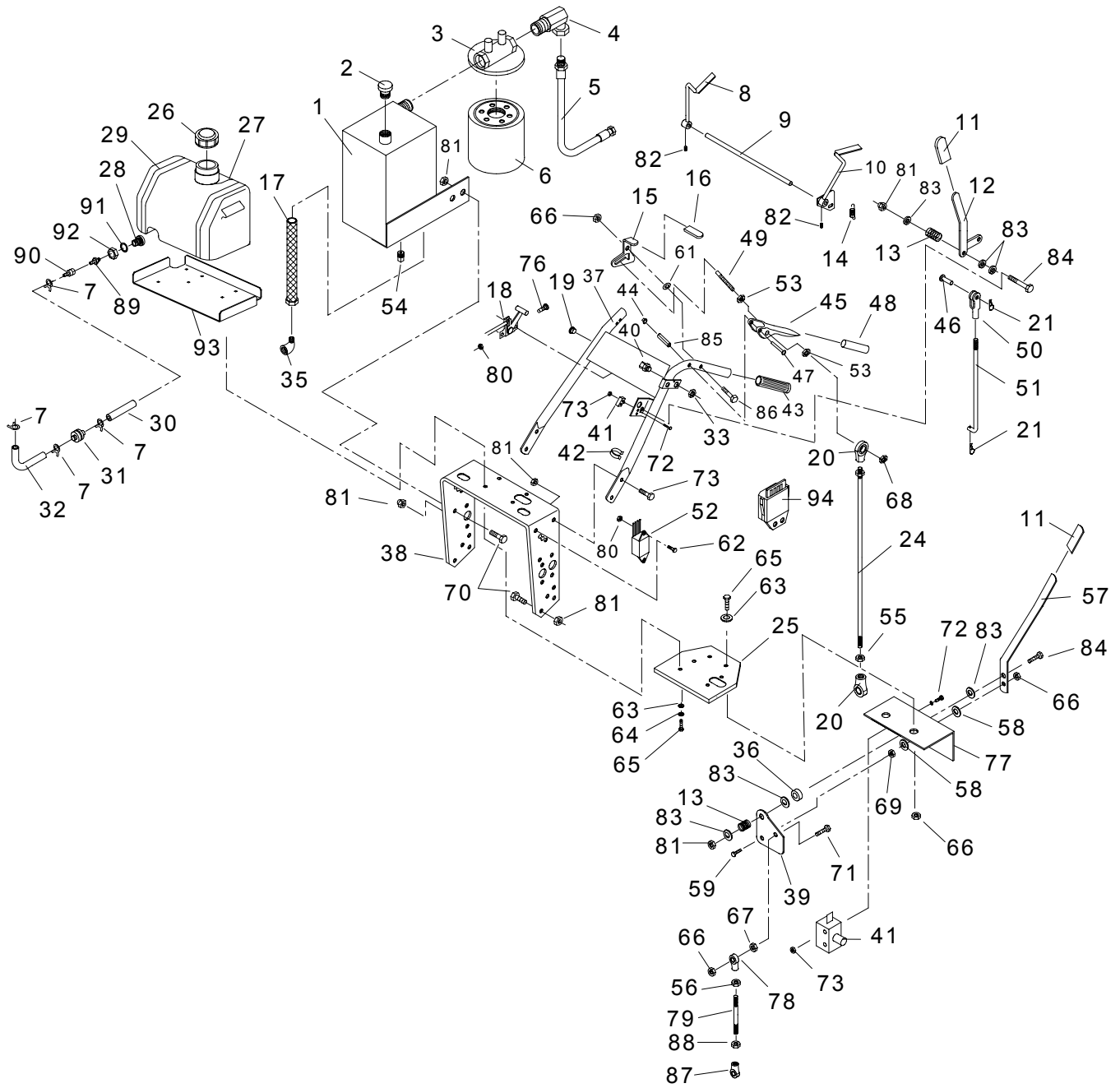
SEE NOTES

| #  | PART NO. | QTY | DESCRIPTION                         |   |
|----|----------|-----|-------------------------------------|---|
| 35 | 103023   | 10  | 1/2"-20 HEX LUG NUT                 |   |
| 36 | 104256   | 5   | 5/16"-18 NYLOC HEX NUT              |   |
| 37 | 100271   | 1   | 5/16"-18 X 3/4" HEX BOLT            |   |
| 38 | 100273   | 3   | 5/16"-18 X 1" HEX BOLT              |   |
| 39 | 100293   | 4   | 3/8"-16 X 1 3/4" HEX BOLT           |   |
| 40 | 100334   | 8   | 1/2" X 3 1/2" HEX BOLT              |   |
| 41 | 105268   | 17  | 1/2" FLAT WASHER                    |   |
| 42 | 104261   | 8   | 1/2"-13 NYLOC HEX NUT               |   |
| 43 | 363226   | 4   | SPRING DISC WASHER                  |   |
| 44 | 100275   | 4   | 5/16"-18 X 1 1/2" HEX BOLT (BRIGGS) |   |
| 45 | 109018   | 4   | 8MM-1.25 X 25MM HEX BOLT (KAW)      |   |
| 46 | 452026   | 2   | MOTOR EXTENSION                     | 2 |
| 47 | 105260   | 5   | 3/8" FLAT WASHER                    |   |
| 48 | 100340   | 8   | 1/2"-13 X 6 1/2" HEX BOLT           | 2 |
| 49 | 104257   | 5   | 3/8"-16 NYLOC HEX NUT               |   |
| 50 | 105503   | 6   | 1/4"-20 X 3/4" HEX BOLT             |   |
| 51 | 107012   | 2   | #808 WOODRUFF KEY                   |   |
| 52 | 453102   | 2   | PUMP KEY                            |   |
| 53 | 107262   | 1   | 1/4" SQ X 2 1/2" KEY                |   |
| 54 | 373054   | 2   | SPRING                              |   |
| 55 | 483019   | 2   | IDLER WASHER                        |   |
| 56 | 104751   | 2   | 5/16"-18 JAM NUT                    |   |
| 57 | 109001   | 2   | 5/16"-18 WHIZLOCK NUT               |   |
| 58 | 453114   | 4   | MOTOR ADAPTER                       |   |
| 59 | 453111   | 2   | PUMP INLET ADAPTER                  |   |
| 60 | 453110   | 2   | PUMP INLET CONNECTOR                |   |
| 61 | 453087   | 2   | PUMP V                              |   |
| 62 | 753028   | 1   | KNOB                                |   |
| 63 | 363022   | 1   | ADJUSTMENT LEVER GRIP               |   |
| 64 | 363041   | 2   | SPACER                              |   |
| 65 | 109007   | 2   | 3/8"-16 WHIZLOCK NUT                |   |
| 66 | 453139   | 1   | COLD START LEVER                    |   |
| 67 | 483019   | 2   | IDLER WASHER                        |   |
| 68 | 483017   | 1   | IDLER SPACER                        |   |
| 69 | 453141   | 1   | COLD START ANGLE                    |   |
| 70 | 107505   | 1   | 5/16"-18 X 3/4" HEX BOLT            |   |
| 71 | 393004   | 1   | PULLEY                              |   |
| 72 | 100030   | 1   | 3/8"-16 X 3" HEX BOLT               |   |
| 73 | 423178   | 2   | TAPER LOCK HUB                      |   |

## NOTES:

- 1: Item refers to units prior to serial #30624
- 2: Item refers to units with Wide Track Option (Only)

# HANDLE ASSEMBLY



# HYDRO WALK BEHIND HANDLE ASSEMBLY

SEE NOTES

| #   | PART NO. | QTY | DESCRIPTION                        |   |
|-----|----------|-----|------------------------------------|---|
| 1A  | 453163   | 1   | OIL TANK W/PLUG                    |   |
| 1B  | 453046   | 1   | REPLACED BY 453163,363297 & 104256 | 2 |
| 2   | 453042   | 1   | OIL TANK CAP                       |   |
| 3A  | 423064   | 1   | FILTER HEAD                        |   |
| 3B  | 453049   | 1   | FILTER HEAD                        | 2 |
| 4A  | 423067   | 1   | FILTER ADAPTER 90 DEGREE           |   |
| 4B  | 453021   | 1   | FILTER ADAPTER 90 DEGREE           | 2 |
| 5A  | 453126   | 1   | PUMP TO PUMP RETURN                |   |
| 5B  | 453025   | 1   | PUMP TO PUMP RETURN                | 2 |
| 6A  | 423063   | 1   | FILTER                             |   |
| 6B  | 453048   | 1   | FILTER                             | 2 |
| 7   | 363098   | 4   | FUEL LINE CLAMP                    |   |
| 8   | 362051   | 1   | RIGHT HAND O.P.C. LEVER            |   |
| 9   | 363157   | 1   | CONNECTING ROD                     |   |
| 10  | 362053   | 1   | LEFT HAND O.P.C. LEVER             |   |
| 11  | 363022   | 2   | ADJUSTMENT LEVER GRIP              |   |
| 12  | 362058   | 1   | ENGAGEMENT LEVER W/GRIP            |   |
| 13  | 363024   | 2   | COMPRESSION SPRING                 |   |
| 14  | 363155   | 1   | O.P.C. SPRING                      |   |
| 15A | 452013   | 1   | LEFT THUMB LATCH                   |   |
| 15B | 452014   | 1   | RIGHT THUMB LATCH                  |   |
| 16  | 363069   | 2   | THUMB LATCH GRIP                   |   |
| 17A | 583132   | 1   | SUCTION SCREEN                     |   |
| 17B | 453043   | 1   | SUCTION SCREEN                     | 2 |
| 18A | 363352   | 1   | THROTTLE CONTROL                   |   |
| 18B | 363268   | 1   | THROTTLE CONTROL                   | 1 |
| --  | -----    | -   | (14HP KOH & KAW & 12HP BRIGGS)     |   |
| 18C | 603024   | 1   | THROTTLE CONTROL                   | 1 |
| --  | -----    | -   | (16HP & 18HP BRIGGS ONLY)          |   |
| 19  | 363159   | 2   | PLASTIC BUSHING                    |   |
| 20  | 453081   | 4   | ROD END                            |   |
| 21  | 363165   | 2   | HAIRPIN COTTER                     |   |
| 22  | 363262   | 1   | SWITCH MOUNT (VANGUARD)            |   |
| 23  | 363263   | 1   | THROTTLE SWITCH (VANGUARD)         |   |
| 24  | 453086   | 2   | DRIVE LINK                         |   |
| 25  | 453096   | 1   | SPEED CONTROL MOUNT                |   |
| 26A | 583194   | 1   | FUEL CAP                           |   |
| 26B | 363257   | 1   | FUEL CAP                           | 1 |
| 27  | 362087   | 1   | MODULAR FUEL TANK COMPLETE         |   |
| 28  | 363355   | 1   | BULKHEAD FITTING                   |   |
| 29  | 363368   | 2   | FUEL TANK BELT                     |   |
| 30A | 603032   | 1   | FUEL LINE                          |   |

# HYDRO WALK BEHIND HANDLE ASSEMBLY

SEE NOTES

|     |        |   |                             |   |
|-----|--------|---|-----------------------------|---|
| 30B | 363099 | 1 | FUEL LINE (V-TWINS)         | 1 |
| 31  | 363032 | 1 | FUEL FILTER                 |   |
| 32  | 363228 | 1 | SHORT FUEL LINE             |   |
| 33  | 363234 | 1 | NUT - O.P.C. SWITCH         |   |
| 35A | 453116 | 1 | .50 NPT ELBOW               |   |
| 35B | 453128 | 1 | REDUCER BUSHING             | 2 |
| 36  | 363097 | 1 | SPACER                      |   |
| 37A | 362085 | 1 | HANDLE ASSEMBLY             |   |
| 37B | 362049 | 1 | REPLACED BY 362085 & 363252 | 1 |
| 38  | 363148 | 1 | LOWER HANDLE ASSEMBLY       |   |
| 39  | 453098 | 1 | LINK PLATE                  |   |
| 40  | 363208 | 1 | O.P.C. SWITCH               |   |
| 41  | 363164 | 2 | BLADE SWITCH                |   |
| 42  | 363221 | 1 | CABLE CLIP                  |   |
| 43  | 363218 | 2 | HANDLE GRIP                 |   |
| 44  | 363219 | 2 | PUSH NUT                    |   |
| 45  | 362059 | 2 | DRIVE LEVER W/GRIP          |   |
| 46  | 363144 | 1 | CLEVIS PIN - SMALL          |   |
| 47  | 363073 | 2 | DRIVE LEVER PIN             |   |
| 48  | 363067 | 2 | DRIVE LEVER GRIP            |   |
| 49  | 453084 | 2 | LEVER STUD                  |   |
| 50  | 363152 | 1 | YOKE - SMALL                |   |
| 51  | 363150 | 1 | UPPER CRANK LINKAGE         |   |
| 52  | 363372 | 1 | SAFETY MODULE               |   |
| 53  | 104751 | 4 | 5/16"-18 JAM NUT            |   |
| 54  | 103019 | 1 | .50 NPT PLUG                |   |
| 55  | 104752 | 4 | 5/16"-24 JAM NUT            |   |
| 56  | 104750 | 4 | 1/4"-28 JAM NUT             |   |
| 57  | 452006 | 1 | SPEED CONTROL LEVER W/GRIP  |   |
| 58  | 453063 | 2 | PLASTIC WASHER              |   |
| 59  | 100256 | 1 | 1/4"-20 X 1 1/2" HEX BOLT   |   |
| 61  | 105500 | 4 | 1/4" WAVY WASHER            |   |
| 62  | 101039 | 1 | #10-24 X 5/8" SCREW         |   |
| 63  | 105256 | 4 | 1/4" FLAT WASHER            |   |
| 64  | 105004 | 4 | 1/4" LOCK WASHER            |   |
| 65  | 100004 | 4 | 1/4"-20 X 1" HEX BOLT       |   |
| 66  | 104255 | 5 | 1/4"-20 NYLOC NUT           |   |
| 67  | 109000 | 1 | 1/4"-20 WHIZLOCK NUT        |   |
| 68  | 104256 | 4 | 5/16"-18 NYLOC NUT          |   |
| 69  | 109001 | 1 | 5/16"-18 WHIZLOCK NUT       |   |
| 70  | 100292 | 6 | 3/8"-16 X 1" HEX BOLT       |   |
| 71  | 100255 | 1 | 1/4"-20 X 1 1/4" HEX BOLT   |   |
| 72  | 101252 | 4 | #5-40 X 1" SCREW            |   |

# HYDRO WALK BEHIND HANDLE ASSEMBLY

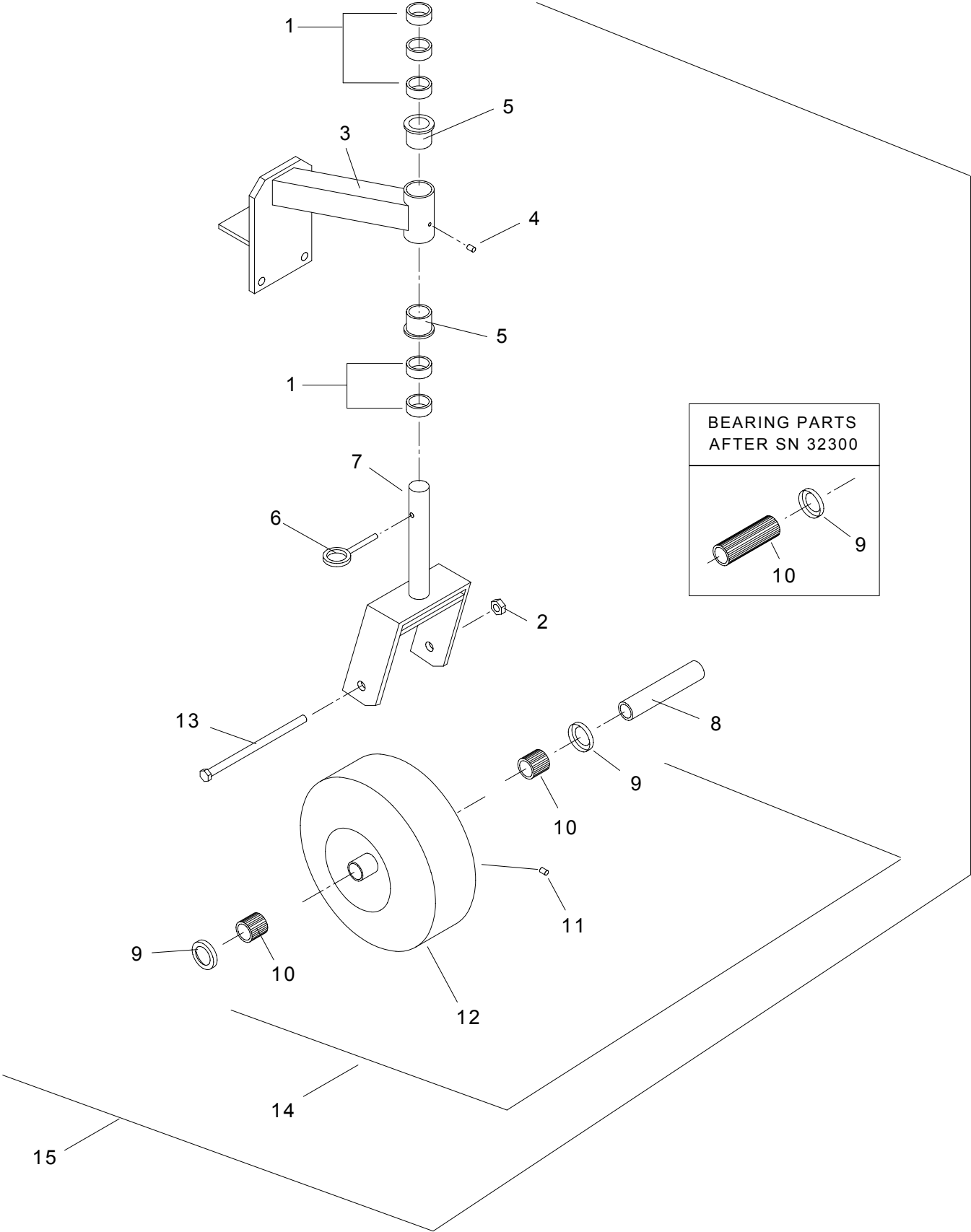
SEE NOTES

|     |  |        |  |    |                                  |  |
|-----|--|--------|--|----|----------------------------------|--|
| 73  |  | 104520 |  | 4  | #5-40 HEX NUT                    |  |
| 74  |  | 101250 |  | 2  | #4-40 X 3/4" SCREW               |  |
| 75  |  | 104500 |  | 2  | #4-40 HEX NUT                    |  |
| 76  |  | 101295 |  | 2  | #10-24 X 1 1/2" SCREW            |  |
| 77  |  | 453062 |  | 1  | SPEED CONTROL BRACKET            |  |
| 78  |  | 453070 |  | 1  | .25 ROD END                      |  |
| 79  |  | 453137 |  | 1  | ADJUSTABLE LINK                  |  |
| 80  |  | 104252 |  | 3  | #10-24 NYLOC NUT                 |  |
| 81  |  | 104257 |  | 14 | 3/8"-16 NYLOC NUT                |  |
| 82  |  | 103292 |  | 2  | 1/4"-28 X 1/4" SETSCREW          |  |
| 83  |  | 105260 |  | 3  | 3/8" FLAT WASHER                 |  |
| 84  |  | 100296 |  | 1  | 3/8"-16 X 2" HEX BOLT            |  |
| 85  |  | 106340 |  | 2  | 5/16" X1" ROLL PIN               |  |
| 86  |  | 100257 |  | 2  | 1/4"-20 X 1 3/4" HEX BOLT        |  |
| 87  |  | 453135 |  | 1  | .25 ROD END LEFT HAND            |  |
| 88  |  | 103018 |  | 1  | 1/4"-28 LEFT HAND JAM NUT        |  |
| 89  |  | 363353 |  | 1  | FUEL COUPLER MALE                |  |
| 90  |  | 363354 |  | 1  | FUEL COUPLER FEMALE              |  |
| 91  |  | 363370 |  | 1  | O-RING                           |  |
| 92  |  | 104761 |  | 1  | LEFT HAND NUT                    |  |
| 93  |  | 363360 |  | 1  | TANK MOUNT                       |  |
| 94A |  | 453164 |  | 1  | WIRE HARNESS - (14HP KAW)        |  |
| 94B |  | 453160 |  | 1  | WIRE HARNESS - (17HP KAW)        |  |
| 94C |  | 453029 |  | 1  | WIRE HARNESS - (BRIGGS VANGUARD) |  |

## NOTES:

- 1: Item refers to units prior to serial #28160
- 2: Item refers to units prior to serial #31078

# CASTER ASSEMBLY



# HYDRO DRIVE WALK BEHIND CASTER ASSEMBLY

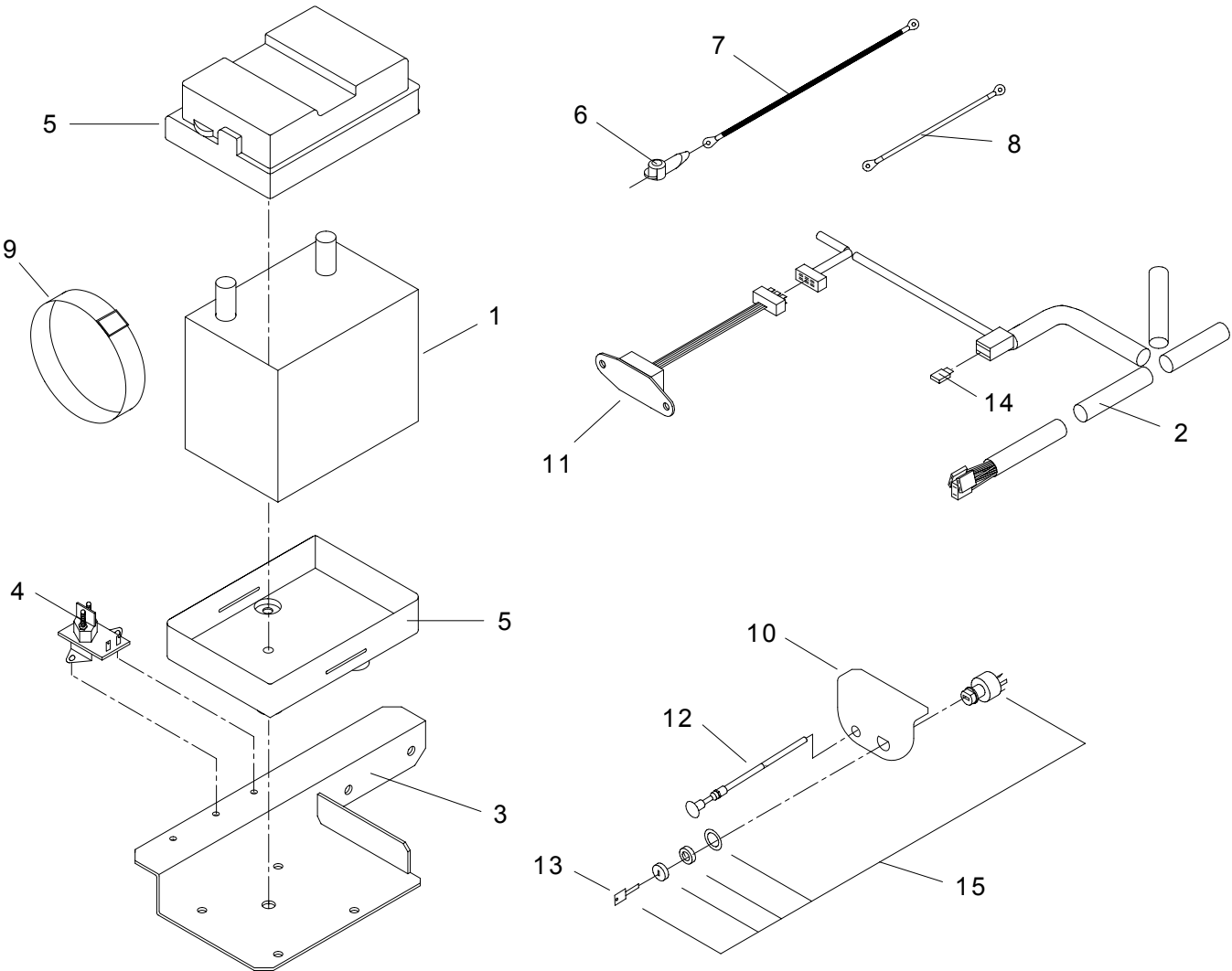
SEE NOTES

| #   | PART NO. | QTY | DESCRIPTION               |   |
|-----|----------|-----|---------------------------|---|
| 1   | 363006   | 10  | CASTER SPACER             |   |
| 2   | 104259   | 2   | 1/2"-13 NYLOC NUT         |   |
| 3   | 362007   | 2   | CASTER SUPPORT W/BUSHINGS |   |
| 4   | 111001   | 2   | GREASE ZERK               |   |
| 5   | 363007   | 4   | FLANGE BEARING            |   |
| 6   | 109020   | 1   | QUICK PIN                 |   |
| 7   | 362081   | 2   | YOKE STRUT                |   |
| 8   | 363307   | 2   | AXLE TUBE                 |   |
| 9A  | 363011   | 4   | END CAP                   | 1 |
| 9B  | 423201   | 4   | END CAP                   |   |
| 10A | 363012   | 4   | ROLLER BEARING            | 1 |
| 10B | 423200   | 2   | ROLLER BEARING            |   |
| 11  | 111005   | 2   | GREASE ZERK               |   |
| 12  | 363260   | 2   | SMOOTH TIRE AND TUBE      |   |
| 13  | 100339   | 2   | 1/2"-13 X 6" BOLT         |   |
| 14  | 363311   | 2   | WHEEL COMPLETE            |   |
| 15  | 362082   | 2   | CASTER ASSY COMPLETE      |   |

## NOTES:

1: Item refers to units prior to serial #32300

# ELECTRIC START ASSEMBLY



# HYDRO DRIVE WALK BEHIND ELECTRIC START ASSEMBLY

SEE NOTES

| #   | PART NO. | QTY | DESCRIPTION              |   |
|-----|----------|-----|--------------------------|---|
| 1   | 423142   | 1   | BATTERY                  |   |
| 2A  | 363373   | 1   | WIRE HARNESS (KAW)       |   |
| 2B  | 363344   | 1   | WIRE HARNESS (BRIGGS)    |   |
| 3   | 322017   | 1   | BATTERY MOUNT BRACKET    |   |
| 4   | 423017   | 1   | STARTER RELAY            |   |
| 5   | 363345   | 1   | BATTERY CASE SET         |   |
| 6   | 423158   | 3   | TERMINAL INSULATOR       |   |
| 7   | 423118   | 1   | NEGATIVE CABLE           |   |
| 8A  | 423116   | 1   | POSITIVE CABLE (SHORT)   |   |
| 8B  | 423117   | 1   | POSITIVE CABLE (LONG)    |   |
| 9   | 363349   | 1   | BATTERY BELT             |   |
| 10  | 363341*  | 1   | SWITCH ANGLE             | 1 |
| 11  | 423030   | 1   | SAFETY MODULE            |   |
| 12A | 423153   | 1   | CHOKE CABLE (VANGUARD)   |   |
| 12B | 523027   | 1   | CHOKE CABLE (KAW)        | 1 |
| 13  | 423209   | 1   | IGNITION KEY             |   |
| 14  | 523145   | 1   | 20 AMP FUSE              |   |
| 15  | 423027   | 1   | IGNITION SWITCH ASSEMBLY |   |

**NOTES:**

1: Item refers to units prior to serial #28160

# BELT DRIVE WALK BEHIND DECALS



1



2



3



4



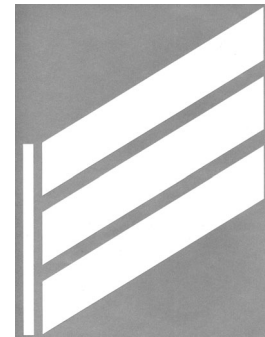
5



6



7



8



9



10



11



12



13



14



15



16



17



18

# HYDRO WALK BEHIND DECALS

| #  | PART NO. | QTY | DESCRIPTION          |
|----|----------|-----|----------------------|
| 1  | 363369   | 1   | Premier Series Decal |
| 2  | 363037   | 1   | Cutter Blade Label   |
| 3  | 363039   | 1   | Throttle Decal       |
| 4  | 363040   | 2   | Neutral Lock Decal   |
| 5  | 363038   | 1   | Caution/Instr. Label |
| 6  | 363001   | 1   | Caution Decal        |
| 7  | 363023   | 1   | Danger Decal         |
| 8  | 363232   | 1   | Encore Logo          |
| 9  | 363231   | 1   | Encore Label         |
| 10 | 363214   | 1   | Pro-Line Decal       |
| 11 | 453011   | 1   | Ground Speed Label   |
| 12 | 453010   | 1   | Oil Decal            |
| 13 | 453012   | 1   | Encore Hydro Label   |
| 14 | 323039   | 1   | Hydro Pro 32 Decal   |
| 15 | 363357   | 1   | Hydro Pro 36 Decal   |
| 16 | 483076   | 1   | Hydro Pro 48 Decal   |
| 17 | 523494   | 1   | Hydro Pro 52 Decal   |
| 18 | 603058   | 1   | Hydro Pro 60 Decal   |

# Notes:

# Notes:

# Notes:

