

PREMIER Series **PRO**

WB32K16

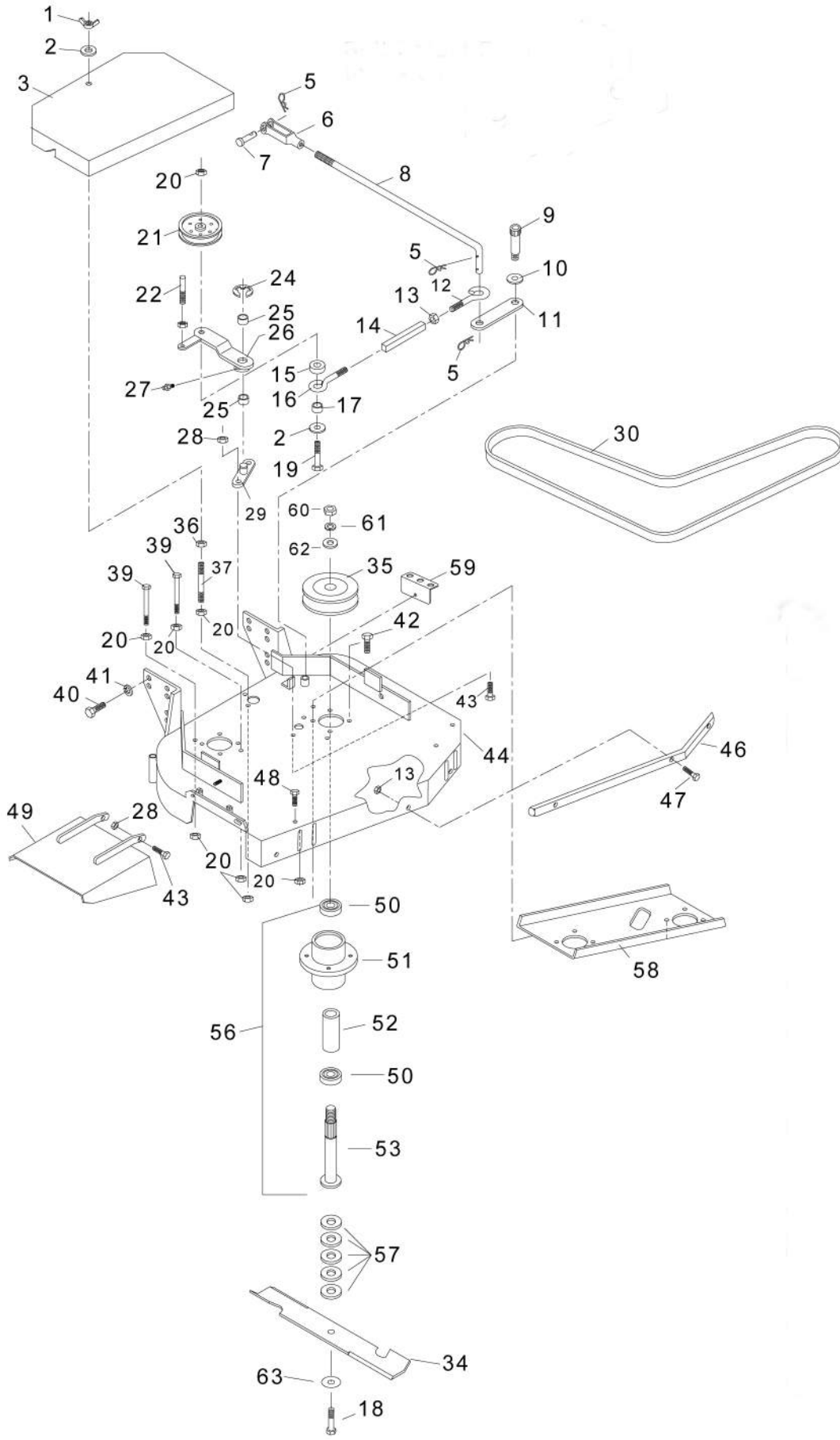
WB36K16

WB48K16

PARTS MANUAL



32" FRONT DECK ASSEMBLY



BELT DRIVE WALK BEHIND 32" FRONT DECK ASSEMBLY

SEE NOTES

#	PART NO.	QTY	DESCRIPTION
1	103027	3	3/8" WING NUT
2	105260	4	3/8" STD. FLAT WASHER
3	322002	1	BELT COVER
5	363165	3	HAIRPIN COTTER
6	363192	1	LARGE YOKE
7	363196	1	CLEVIS PIN
8	323002	1	BLADE DRIVE LINKAGE
9	109014	1	SHOULDER BOLT
10	363240	1	SHOULDER SPACER
11	363085	1	CAM LINK
12	363080	1	RIGHT EYEBOLT
13	109001	4	5/16" WHIZLOCK NUT
14	363172	1	TURNBUCKLE BODY
15	363097	1	TURNBUCKLE SPACER
16	363082	1	LEFT EYEBOLT
17	363174	1	EYEBOLT SPACER
18A	100356	2	5/8"-11 X 1 1/2" HEX BOLT
18B	100358	2	5/8"-11 X 2 1/4" HEX BOLT
19	100298	1	3/8" X 2 1/2" BOLT
20	109007	18	3/8" WHIZLOCK NUT
21	363264	1	ENGAGEMENT IDLER (WF)
22	363249	1	BELT SNUBBER
24	108509	1	"E" RING
25	363089	2	BRONZE BUSHING
26	362071	1	ENGAGEMENT ARM W/BUSHING
27	111004	1	1/4" - 28 ZERK
28	104256	14	5/16" NYLOC HEX NUT
29	362024	1	IDLER PIVOT ASSY.
30	323003	1	BLADE DRIVE BELT
34	483035	2	16" BLADE
35	363378	2	RAISED PULLEY
36	104257	1	3/8" NYLOC HEX NUT
37	363090	2	BELT SHIELD SUPPORT
39	100306	4	3/8" X 5" HEX BOLT
40	100309	6	7/16" 1" HEX BOLT
41	105007	6	7/16" LOCK WASHER
42	100274	8	5/16" X 1 1/4" HEX BOLT
43	100273	8	5/16" X 1" HEX BOLT
44	322004	1	32" FRONT DECK
45	109014	1	SHOULDER BOLT
46	323029	1	SQUARE BUMPER
47	100276	3	5/16" X 1 3/4" HEX BOLT
48	100292	6	3/8" X 1" HEX BOLT
49	362012	1	GRASS DEFLECTOR

BELT DRIVE WALK BEHIND 32" FRONT DECK ASSEMBLY

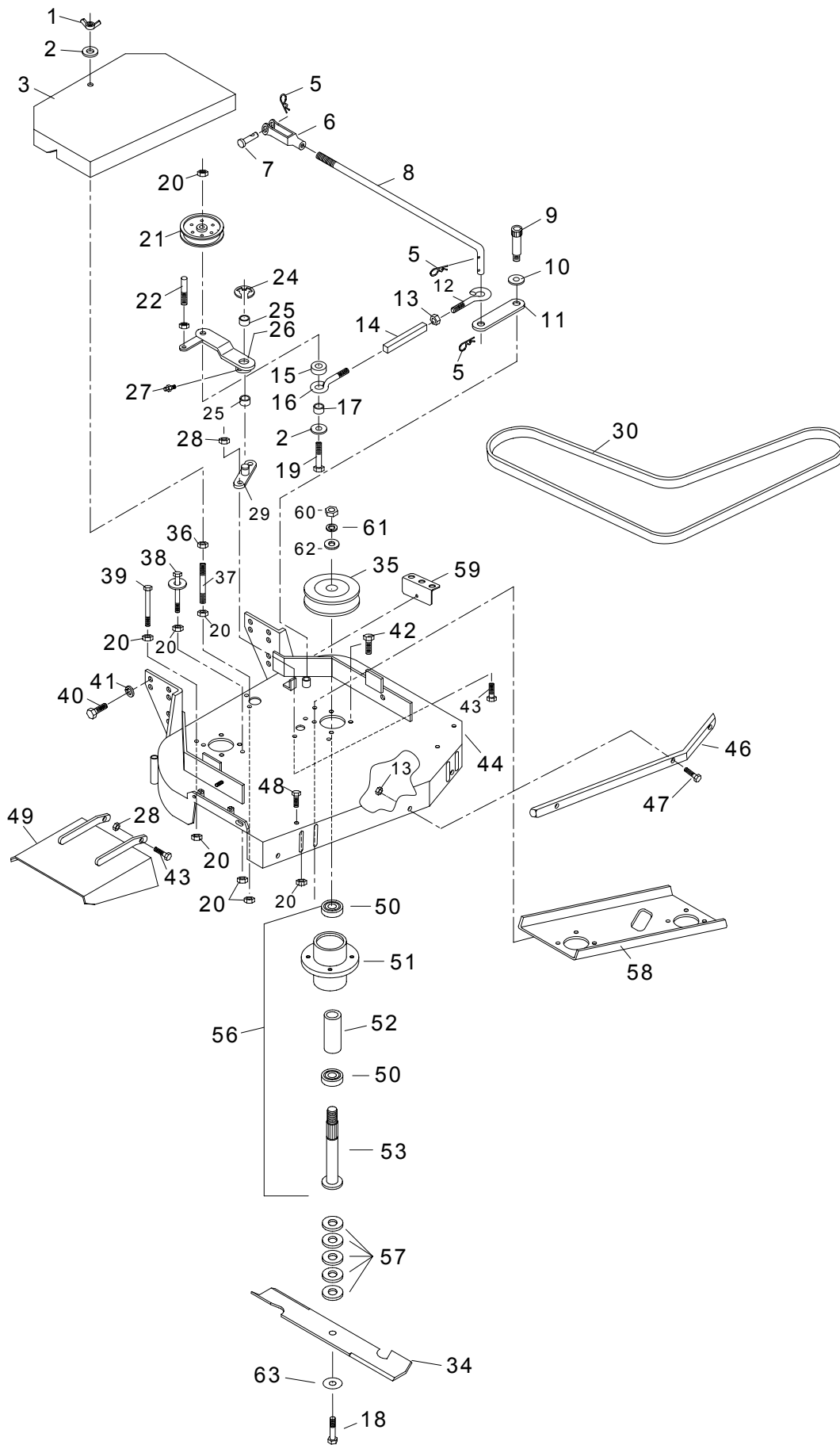
SEE NOTES

#	PART NO.	QTY	DESCRIPTION	
50	363350	4	SPINDLE BEARING	
51	363380	2	BLADE SPINDLE HOUSING	
52	583113	2	BEARING SPACER TUBE	
53	583112	2	SPINDLE SHAFT	
56	363379	2	SPINDLE ASSY COMPLETE	
57	363382	10	BLADE SPACER	
58	323031	1	32" DECK CHANNEL	
59	322019	1	SPACER BRACKET	
60	104511	2	3/4"-16 HEX NUT	
61	105010	2	3/4" LOCK WASHER	
62	105269	2	3/4" S.A.E. FLAT WASHER	
63	583108	2	5/8" DISC SPRING WASHER	
64	362044	2	CUTTER HOUSING ASSY	1
65	100353	2	5/8" X 9 1/2" HEX BOLT	1
66	105268	2	5/8" STD. FLAT WASHER	1
67	363170	10	BLADE SPACER	1
68	108507	4	1" RETAINING RING	1
69	108506	4	INT. SNAP RING	1
70	363060	2	DUST CAP	1
71	363058	2	SPINDLE	1
72	111002	2	5/16" DRIVE ZERK	1
73	363053	2	BLADE SPINDLE HOUSING	1
74	363216	2	TAPER LOCK SHEAVE	1
75	363217	2	TAPER LOCK HUB	1
76	100252	4	1/4" X 3/4" HEX BOLT	1
77	104510	2	5/8"-11 HEX NUT	1
78	363242	2	BLADE SPINDLE KEY	1

NOTES:

1: Item refers to units prior to serial #33333

36" FRONT DECK ASSEMBLY

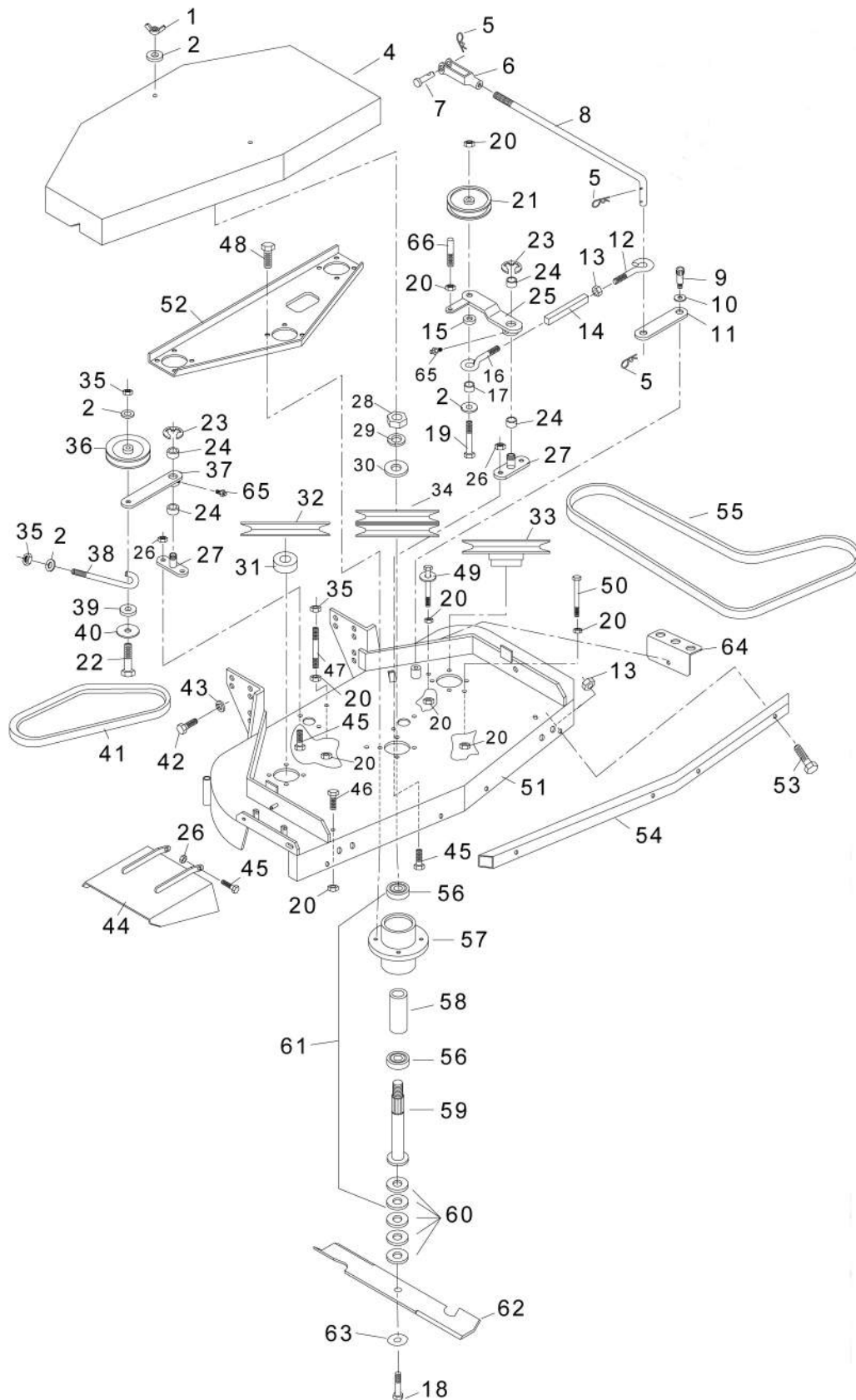


BELT DRIVE WALK BEHIND 36" FRONT DECK ASSEMBLY

SEE NOTES

#	PART NO.	QTY	DESCRIPTION
1	103027	3	3/8" WING NUT
2	105260	4	3/8" STD. FLAT WASHER
3	362043	1	BELT COVER
5	363165	3	HAIRPIN COTTER
6	363192	1	LARGE YOKE
7	363196	1	CLEVIS PIN
8	363194	1	BLADE DRIVE LINKAGE
9	109014	1	SHOULDER BOLT
10	363240	1	SHOULDER SPACER
11	363085	1	CAM LINK
12	363080	1	RIGHT EYEBOLT
13	109001	4	5/16" WHIZLOCK NUT
14	363172	1	TURNBUCKLE BODY
15	363097	1	TURNBUCKLE SPACER
16	363082	1	LEFT EYEBOLT
17	363174	1	EYEBOLT SPACER
18A	100356	2	5/8"-11 X 1 1/2" HEX BOLT
18B	100358	2	5/8"-11 X 2 1/4" HEX BOLT
19	100298	1	3/8" X 2 1/2" BOLT
20	109007	18	3/8" WHIZLOCK NUT
21	363264	1	ENGAGEMENT IDLER (WF)
22	363249	1	BELT SNUBBER
24	108509	1	"E" RING
25	363089	2	BRONZE BUSHING
26	362071	1	ENGAGEMENT ARM W/BUSHING
27	111004	1	1/4" - 28 ZERK
28	104256	14	5/16" NYLOC HEX NUT
29	362024	1	IDLER PIVOT ASSY.
30	363210	1	BLADE DRIVE BELT
34	363291	2	18" BLADE
35	363378	2	RAISED PULLEY
36	104257	1	3/8" NYLOC HEX NUT
37	363090	2	BELT SHIELD SUPPORT
38	362018	2	FRONT BELT GUIDE
39	100306	2	3/8" X 5" HEX BOLT
40	100309	6	7/16" 1" HEX BOLT
41	105007	6	7/16" LOCK WASHER
42	100274	8	5/16" X 1 1/4" HEX BOLT
43	100273	8	5/16" X 1" HEX BOLT
44	362007	1	36" FRONT DECK
45	109014	1	SHOULDER BOLT
46	363304	1	SQUARE BUMPER
47	100276	3	5/16" X 1 3/4" HEX BOLT
48	100292	6	3/8" X 1" HEX BOLT

48" FRONT DECK ASSEMBLY

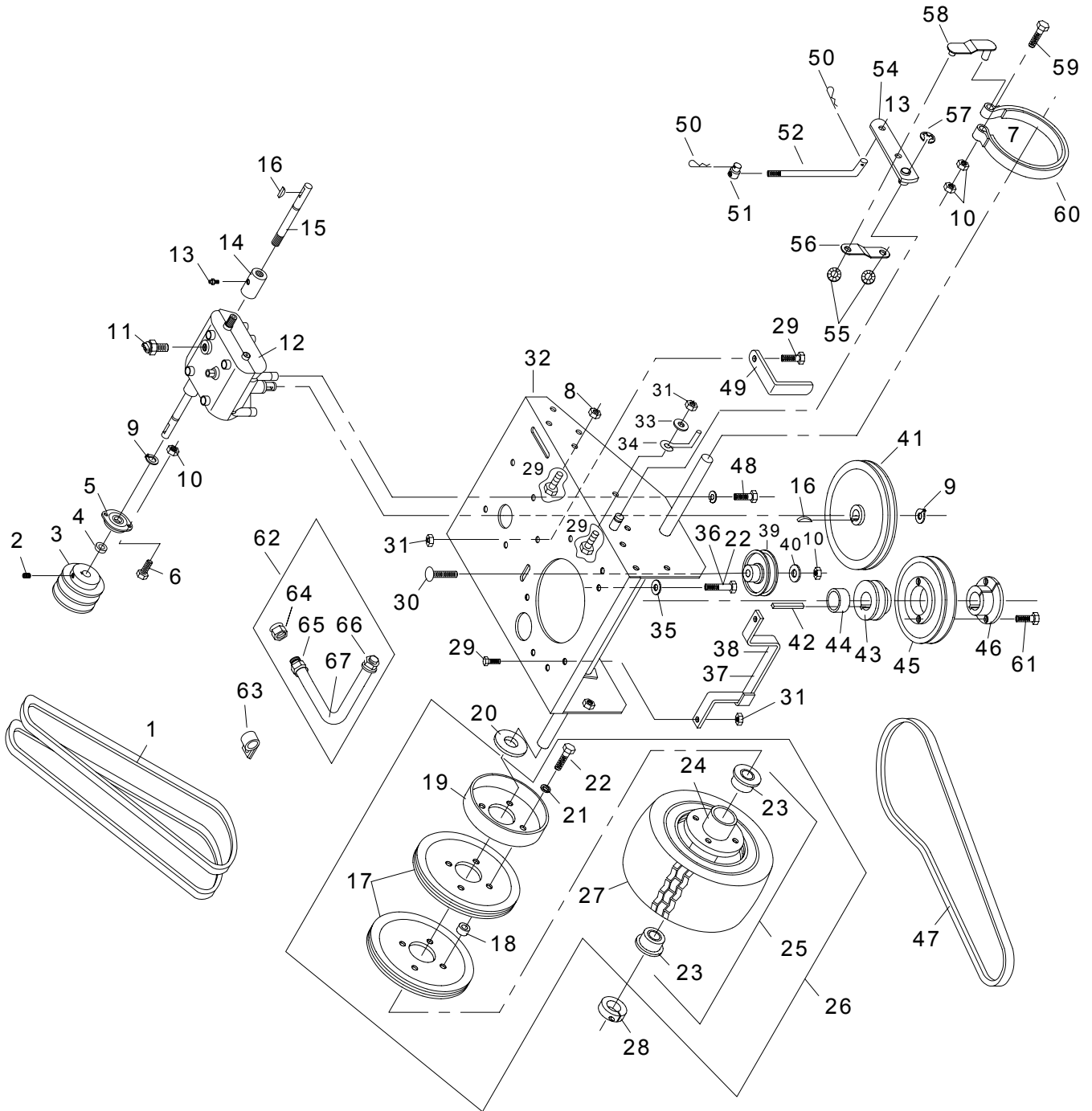


BELT DRIVE WALK BEHIND 48" FRONT DECK ASSEMBLY

SEE NOTES

#	PART NO.	QTY	DESCRIPTION
1	103027	3	3/8" WING NUT
2	105260	4	3/8" STD. FLAT WASHER
4	482006	1	BELT COVER
5	363165	3	HAIRPIN COTTER
6	363192	1	LARGE YOKE
7	363196	1	CLEVIS PIN
8	483028	1	BLADE DRIVE LINKAGE
9	109014	1	SHOULDER BOLT
10	363240	1	SHOULDER SPACER
11	363085	1	CAM LINK
12	363080	1	RIGHT EYEBOLT
13	109001	4	5/16" WHIZLOCK NUT
14	363172	1	TURNBUCKLE BODY
15	363097	1	TURNBUCKLE SPACER
16	363082	1	LEFT EYEBOLT
17	363174	1	EYEBOLT SPACER
18A	100356	2	5/8"-11 X 1 1/2" HEX BOLT
18B	100358	2	5/8"-11 X 2 1/4" HEX BOLT
19	100298	1	3/8" X 2 1/2" BOLT
20	109007	18	3/8" WHIZLOCK NUT
21	363264	1	ENGAGEMENT IDLER (WF)
22	100297	1	3/8" x 2 1/4" HEX BOLT
23	108509	1	"F" RING
24	363089	4	BRONZE BUSHING
25	362071	1	ENGAGEMENT ARM W/BUSHING
26	104256	15	5/16" NYLOC HEX NUT
27	362024	2	IDLER PIVOT ASSY
28	104511	3	3/4"-16 HEX NUT
29	105010	3	3/4" LOCK WASHER
30	105269	3	3/4" S.A.E. FLAT WASHER
31	583110	1	PULLEY SPACER
32	583107	1	PULLEY
33	363378	1	RAISED PULLEY
34	363377	1	DOUBLE PULLEY
35	104257	3	3/8" NYLOC HEX NUT
36	483025	1	RIGHT HAND IDLER PULLEY
37	482005	1	IDLER ARM RIGHT
38	483003	1	BELT TENSION ROD
39	483017	1	RIGHT HAND IDLER SPACER
40	483019	1	RIGHT HAND IDLER WASHER
41	483031	1	RIGHT HAND BLADE BELT
42	100309	6	7/16" X 1" HEX BOLT
43	105007	6	7/16" LOCK WASHER
44	482017	1	GRASS DEFLECTOR

REAR DECK ASSEMBLY

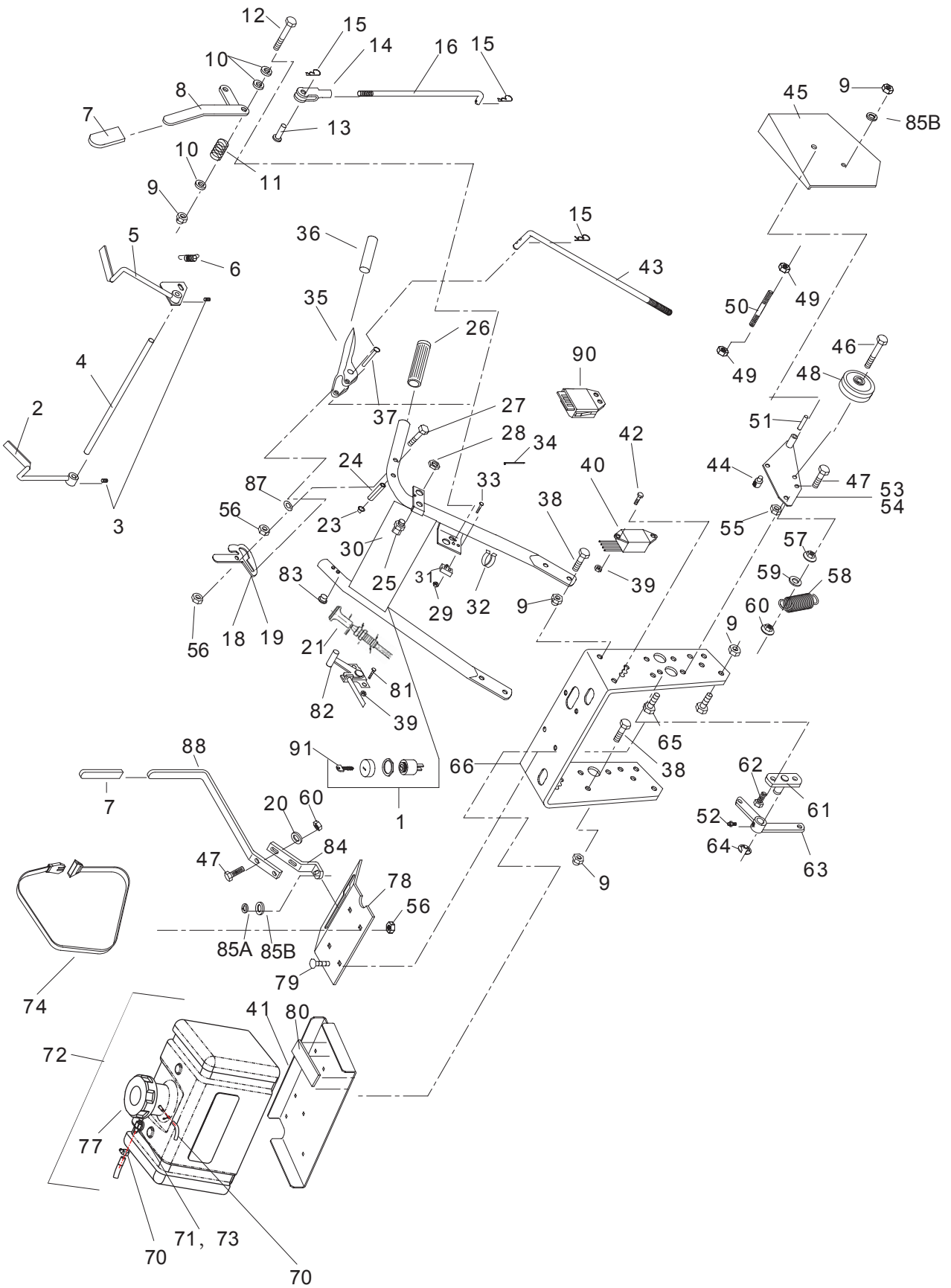


BELT DRIVE WALK BEHIND REAR DECK ASSEMBLY

SEE NOTES

#	PART NO.	QTY	DESCRIPTION
1	363312	2	MATCH SET DRIVE BELT
2	103293	2	5/16"-18 X 3/8" SET SCREW
3	363137	2	2-GROOVE SHEAVE
4	363087	2	TRANSMISSION SHAFT SPACER
5	363292	2	2-BOLT FLANGE BEARING
6	100292	4	3/8" X 1" HEX BOLT
8	109001	2	5/16" WHIZLOCK NUT
9	108508	3	SNAP RING
10	104257	5	3/8" NYLOC HEX NUT
11	363207	1	TRANSMISSION SWITCH
12A	362089	1	TRANSMISSION ASSEMBLY PRO-GEAR W/BOLTS
13	111004	3	1/4"-28 GREASE ZERK
14A	362086	2	COUPLER W/ZERK 9-SPLINE
15A	363367	2	SHAFT EXTENSION 9-SPLINE
16	107009	3	#9 WOODRUFF KEY
17	363191	4	WHEEL PULLEY
18	363113	8	WHEEL PULLEY SPACER
19	363190	2	BRAKE DRUM
20	363121	2	WHEEL WASHER
21	105005	8	5/16" MED WASHER
22	100275	12	5/16" X 1 1/2" HEX BOLT (BRIGGS)
23	363187	4	WHEEL BEARING
24A	363189	2	RIM W/VALVE STEM
24B	323026	2	RIM W/VALVE STEM (32")
25	362055	2	WHEEL AND TIRE
26A	362048	2	DRIVE WHEEL COMPLETE
26B	323027	2	DRIVE WHEEL COMPLETE (32" ONLY)
27A	363186	2	TIRE 13 X 6.5 X 6
27B	323025	2	TIRE 13 X 5.00 X 6 (32" ONLY)
28	363145	2	1" CLAMP COLLAR
29	100273	3	5/16" X 1" HEX BOLT
30	107501	1	3/8" X 2" CARRIAGE BOLT
31	104256	3	5/16" NYLOC HEX NUT
32A	362010	1	REAR DECK ASSY
32B	322012	1	REAR DECK ASSY (32" ONLY)
33	105258	2	5/16" STD FLAT WASHER
34	363075	2	ROUND BELT GUIDE
35	363226	4	DISC SPRING WASHER
36	109018	4	8MM-1.25 x 25MM HEX BOLT (KAW)
37	362031	1	BELT GUIDE BRKT (32" AND 36")
38A	482003	1	BELT GUIDE BRKT (48" AND 60")
38B	383003	1	BELT GUIDE BRKT (52")

HANDLE ASSEMBLY



BELT DRIVE WALK BEHIND HANDLE ASSEMBLY

SEE NOTES

#	PART NO.	QTY	DESCRIPTION
1	603060	1	RUN/STOP SWITCH-17HP KAW
2	362051	1	RIGHT HAND O.P.C. LEVER
3	103292	2	1/4"-28 X 1/4" SET SCREW
4	363157	1	CONNECTING ROD
5	362053	1	LEFT HAND O.P.C. LEVER
6	363155	1	O.P.C. SPRING
7	363022	2	ADJUSTMENT LEVER GRIP
8	362058	1	ENGAGEMENT LEVER W/GRIP
9	104257	1	3/8" NYLOC HEX NUT
10	105260	3	3/8" STD FLAT WASHER
11	363024	1	COMPRESSION SPRING
12	100296	1	3/8" X 2" HEX BOLT
13	363144	1	CLEVIS PIN-SMALL YOKE
14	363152	1	YOKE-SMALL
15	363165	3	HAIRPIN COTTER
16	363150	1	UPPER CRANK LINKAGE
17	103011	2	1/4" HEX TORQUE NUT
18	363284	1	LEFT THUMB LATCH PKG.
19	363282	1	RIGHT THUMB LATCH PKG.
20	105258	2	5/16" FLAT WASHER
21	523037	1	CHOKE CABLE
23	363219	2	3/16" PUSH NUT
24	106340	2	5/16" X 1" ROLL PIN
25	363208	1	O.P.C. SWITCH
26	363218	2	HANDLE GRIP
27	100258	2	1/4" X 2" HEX BOLT
28	363234	1	NUT-O.P.C. SWITCH
29	104520	2	#5-40 HEX NUT
30	362085	1	HANDLE/ W CONSOLE
31	363164	1	BLADE SWITCH
32	363221	2	CABLE CLIP
33	101252	2	#5-40 X 1" MACHINE SCREW
34	363222	7	PLASTIC TIE
35	362059	2	DRIVE LEVER W/GRIP
36	363067	2	DRIVE LEVER GRIP
37	363073	2	TRACTION LEVER PIN
38	100292	8	3/8" X 1" HEX BOLT
39	104252	1	#10-24 NYLOC HEX NUT

BELT DRIVE WALK BEHIND HANDLE ASSEMBLY

SEE NOTES

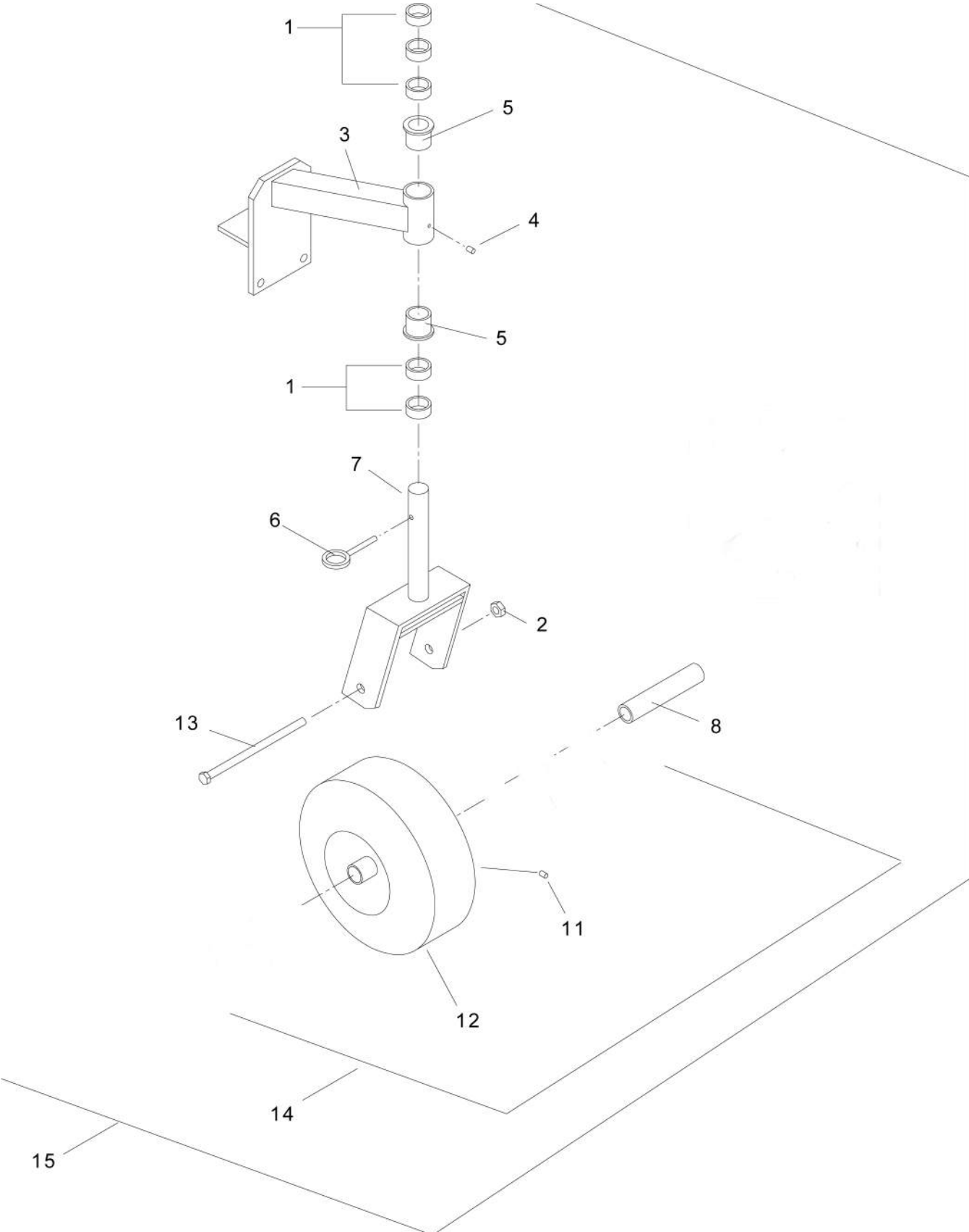
#	PART NO.	QTY	DESCRIPTION
40	363371	1	WIRING HARNESS-17HP KAW
41	363420	1	FUEL TANK MOUNT
42	101039	1	#10-24 X 5/8" PANHEAD SCREW
43	363198	2	DRIVE ROD
44	363029	4	.312 SWIVEL
45A	363288	1	LEFT HAND FENDER
45B	363286	1	RIGHT HAND FENDER
46	100331	2	1/2" X 2 1/2" HEX BOLT
47	100274	4	5/16" X 1 1/4" HEX BOLT
48	363168	2	DRIVE IDLER
49	109007	4	3/8" WHIZLOCK NUT
50	363093	2	SAFETY SHIELD SUPPORT
51	363105	2	IDLER BUSHING
52	111004	2	1/4" -28 GREASE ZERK
53	362035	1	LEFT IDLER ARM (SHOWN)
54	362037	1	RIGHT IDLER ARM
55	104259	2	1/2" NYLOC HEX NUT
56	100502	6	1/4" NYLOC HEX NUT
57	109001	2	5/16" WHIZLOCK NUT
58	363117	2	TENSION SPRING
59	105257	4	5/16" S.A.E. FLAT WASHER
60	104256	2	5/16" NYLOC HEX NUT
61	362033	1	BELL CRANK MOUNT ASSY
62	100004	2	1/4" X 1" HEX BOLT
63	362040	1	BELL CRANK W/ZERK
64	108500	1	5/8" E-RING
65	100303	2	3/8" X 4" HEX BOLT
66	363148	1	LOWER HANDLE
67	363098	4	GAS LINE CLAMP
68	363228	1	SHORT FUEL LINE HOSE
70	4805008	1	FUEL LINE
71	363418	1	FUEL SHUT OFF
72	363410	1	FUEL TANK ASSY EPA
73	3307023B	1	GROMMET
74	363368	2	FUEL TANK BELT
76	4805006	1	VENT LINE

BELT DRIVE WALK BEHIND HANDLE ASSEMBLY

SEE NOTES

#	PART NO.	QTY	DESCRIPTION	
77	5204019	1	FUEL CAP W/GASKET	1
78	363224	1	TANK SADDLE	
79	107502	4	1/4" X 3/4" CARRIAGE BOLT	
80	363201	2	FUEL TANK PAD	
81	101295	3	#10 X 1 1/2" SLTD. MACH. SCREW	
82	593043	1	THROTTLE CONTROL	
83	363159	2	NYLON BUSHING	
84	363128	1	SHIFTER BRACKET	
85A	104251	1	3/8"-24 NYLOC HEX NUT	
85B	105260	1	3/8" STD FLAT WASHER	
87	105256	1	1/4 STD FLAT WASHER	
88	362060	1	SHIFTER LEVER W/GRIP	
90	363372	1	SAFETY MODULE	
91	423209	1	IGNITION KEY	

CASTER ASSEMBLY



BELT DRIVE WALK BEHIND CASTER ASSEMBLY

SEE NOTES

#	PART NO.	QTY	DESCRIPTION
1	363006	10	CASTER SPACER
2	104259	2	1/2"-13 NYLOC NUT
3	362007	2	CASTER SUPPORT W/BUSHINGS
4	111001	2	GREASE ZERK
5	363007	4	FLANGE BEARING
6	109020	1	QUICK PIN
7	362081	2	YOKE STRUT
8	363307	2	AXLE TUBE
11	111005	2	GREASE ZERK
12	363260	2	SMOOTH TIRE AND TUBE
13	100339	2	1/2"-13 X 6" BOLT
14	363311	2	WHEEL COMPLETE
15	362082	2	CASTER ASSY COMPLETE

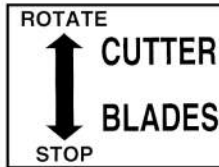
NOTES:

- 1: Item refers to units prior to serial #32300

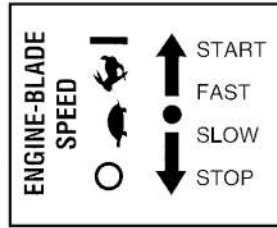
BELT DRIVE WALK BEHIND DECALS



1



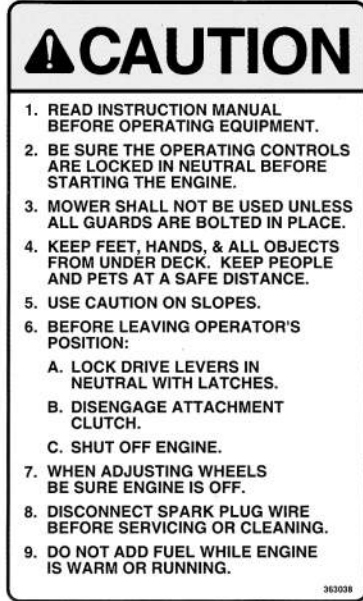
2



3



4



5



6



7



9



8



10



11

OPERATOR MUST DISENGAGE CLUTCH BEFORE SHIFTING GEARS

12



13



14



15

BELT DRIVE WALK BEHIND DECALS

#	PART NO.	QTY	DESCRIPTION
1	363369	1	Premier Series Decal
2	363037	1	Cutter Blade Label
3	363039	1	Throttle Decal
4	363289	2	Neutral Park Decal
5	363038	1	Caution/Instr. Label
6	363001	1	Caution Decal
7	363023	1	Danger Decal
8	363232	1	Encore Logo
9	363231	1	Encore Label
10	363214	1	Pro-Line Decal
11	363241	1	Gear Shift Label
12	363233	1	Shifting Label
13	323038	1	Pro 32 Decal
14	363356	1	Pro 36 Decal
15	483075	1	Pro 48 Decal

Notes:



ENCORE
POWER EQUIPMENT