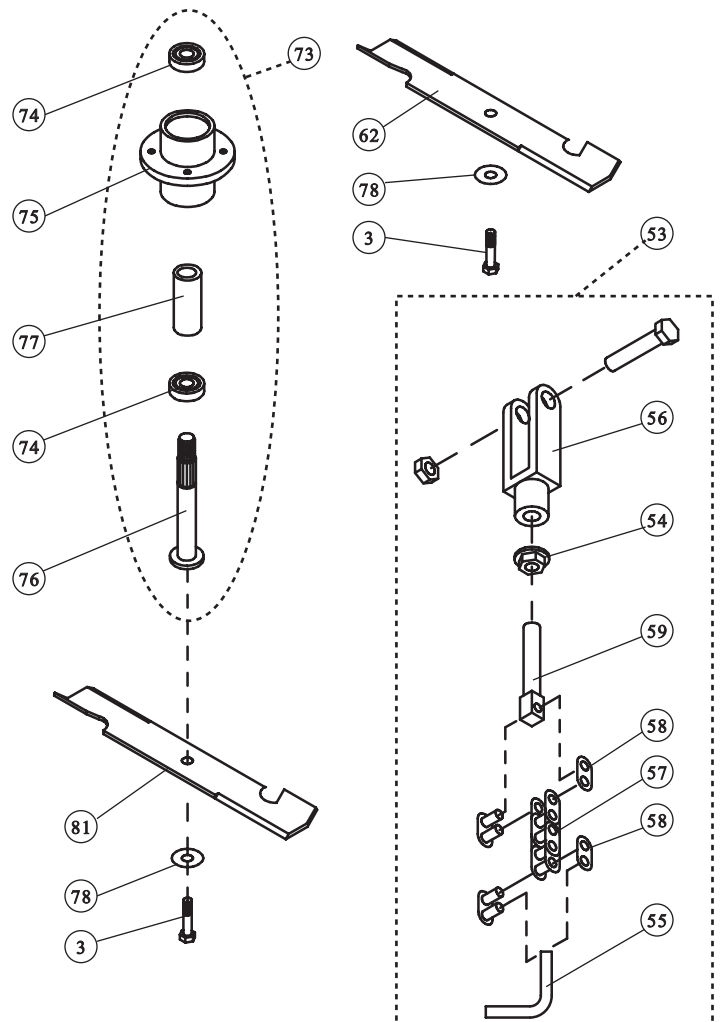
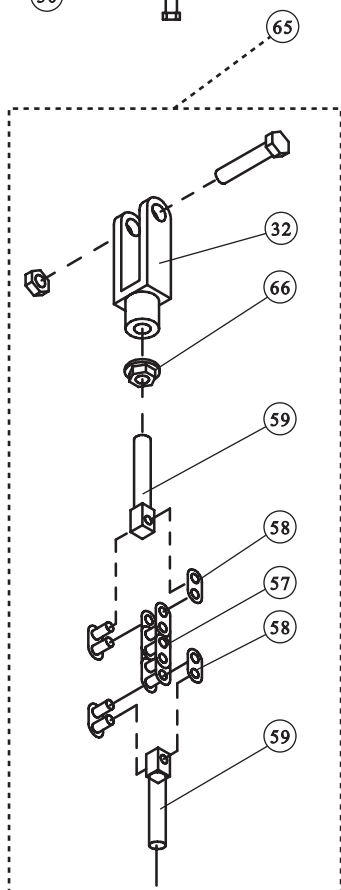
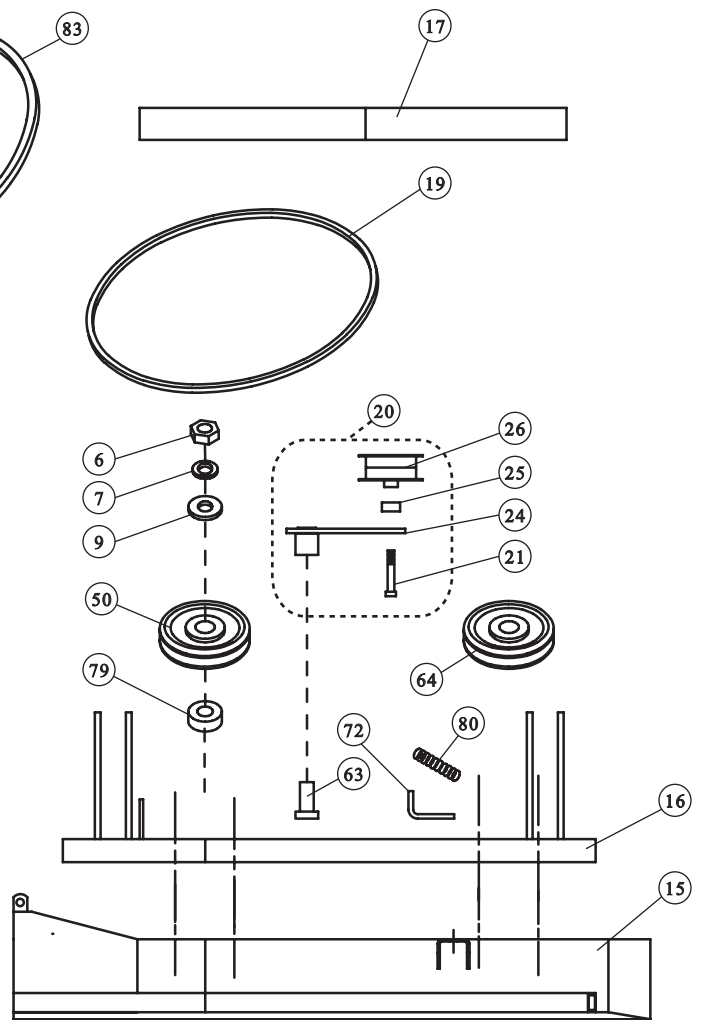
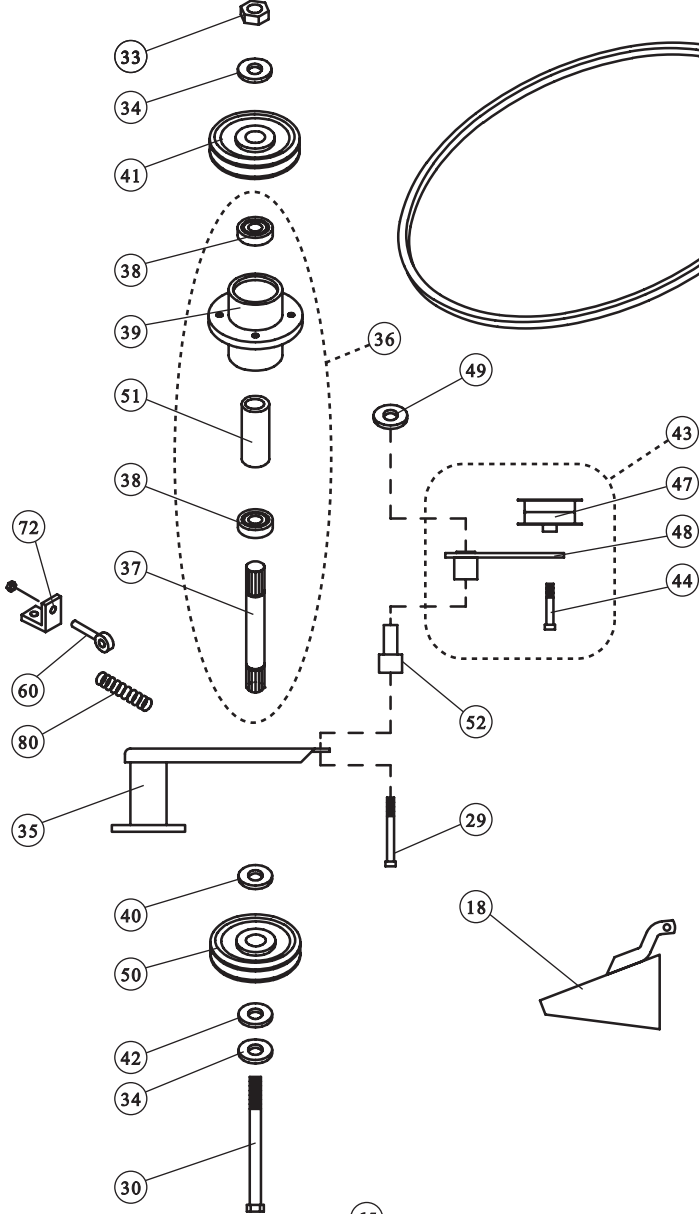




34K15Z

**PARTS
MANUAL**



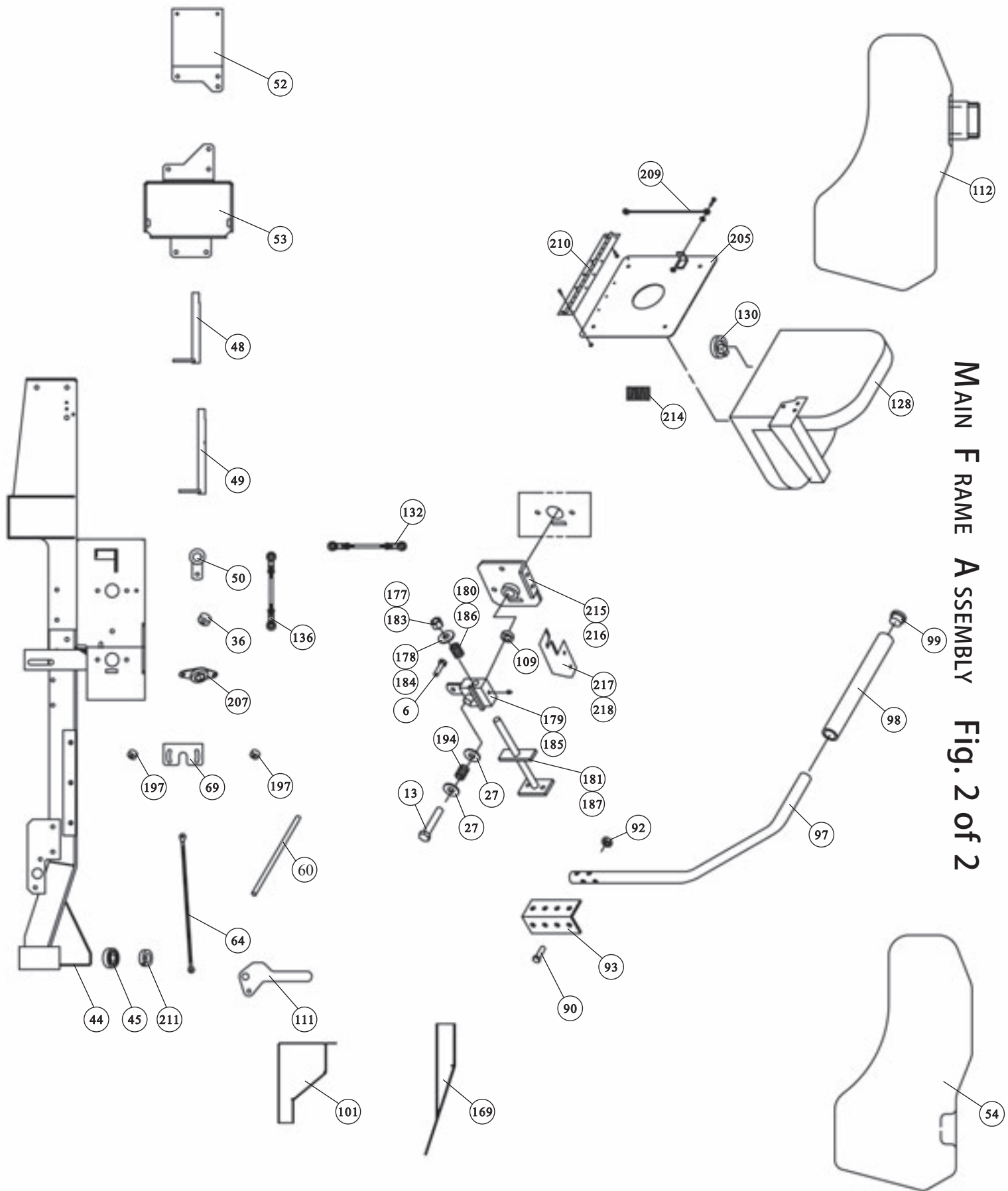
34" DECK ASSEMBLY

#	QTY.	PART #	DESCRIPTION	#	QTY.	PART #	DESCRIPTION
1	2	100273	5/16-18 X 1 HHCS	43	DECK BELT IDLER		
2	12	100274	5/16-18 X 1-1/4 HHCS		QTY.	PART #	DESCRIPTION
3	2	100355	5/8-11 X 1-1/4 HHCS	44	1	100297	3/8-16 X 2-1/4 HHCS
4	32	104256	5/16-18 NYLOC NUT	45	1	104257	3/8-16 NYLOCK NUT
5	1	104257	3/8-16 NYLOCK NUT	46	1	105260	3/8 STD. FLATWASHER
6	2	104511	3/4-16 HEX NUT	47	1	393004	CALIPER – PULLEY
7	2	105010	3/4 STD LOCK WASHER	48	1	422025	TENSIONER W/BUSHING
8	4	105258	5/16 STD FLAT WASHER	49	1	373089	RETAINING WASHER
9	2	105269	3/4 SAE FLAT WASHER	50	1	483078	5.75 HEX PULLEY
10	4	107503	5/16-18 X 3/4 CARR BOLT	51	1	583113	BEARING SPACER TUBE
11	4	107509	5/16-18 X 1 CARR BOLT	52	1	823030	IDLER SUPPORT
12	1	107513	3/8-16 X 3 CARR BOLT	53	LIFT CHAIN ASSY		
13	4	107524	5/16-18 X 1-1/4 CARR BOLT		QTY.	PART #	DESCRIPTION
14	2	109008	3/8-24 WHIZLOCK NUT	54	1	109008	3/8-24 WHIZLOCK NUT
15	1	342008	Z34 DECK	55	1	343088	DECK LIFT ANGLE
16	1	342010	Z34 SUB PLATE	56	1	343089	LIFT CLEVIS
17	1	342038	BELT SHIELD	57	1	423180	FRONT LIFT CHAIN
18	1	342064	GRASS DEFLECTOR	58	2	523123	CONNECTOR LINK
19	1	343018	DECK BELT	59	1	523125	ANCHOR STUD
Note A	1	343063	BELT ROUTING DECAL	Note A	1	363001	CAUTION DECAL
20	BLADE BELT IDLER			Note A	2	363023	DANGER DECAL
	QTY.	PART #	DESCRIPTION	60	2	363080	RIGHT EYEBOLT
21	1	100298	3/8 – 16 x 2.5 HHCS	61	1	373089	RETAINING WASHER
22	1	104257	3/8 – 16 NYLOCK NUT	62	1	423029	14.25 HIGH LIFT BLADE
23	1	105260	3/8 STD. FLAT WASHER	63	1	423175	IDLER PIVOT
24	1	422025	TENSIONER w/ BUSHING	64	1	423262	5" HEX PULLEY
25	2	483017	RIGHT IDLER SPACER	65	FRONT LIFT CHAIN ASSY		
26	1	823351	DRIVE IDLER (PLASTIC)		QTY.	PART #	DESCRIPTION
27	JACK SHAFT ASSY			66	1	109008	3/8 – 24 UNF WHIZ LOCK NUT
	QTY.	PART #	DESCRIPTION	67	1	423180	FRONT LIFT CHAIN
28	4	100274	5/16-18 X 1-1/4 HHCS	68	2	523123	CONNECTOR LINK
29	1	100302	3/8-16 X 3-1/2 HHCS	69	1	523125	ANCHOR STUD
30	1	100348	5/8-11 X 7 HHCS	70	1	524035	ANCHOR STUD ASSY.
31	4	104256	5/16 – 18 NYLOC NUT	71	1	483078	5.75" HEX PULLEY
32	1	104257	3/8-16 NYLOC NUT	72	2	523094	SPRING MOUNT
33	1	104261	5/8-11 NYLOC NUT	73	1	583106	BLADE SPINDLE ASSY
34	3	109025	5/8 HEAVY FLAT WASHER		QTY.	PART #	DESCRIPTION
35	1	342012	JACK SHAFT MOUNT	74	2	363350	SPINDLE BEARING
36	1	343029	JACK SHAFT SPINDLE	75	1	583111	SPINDLE HOUSING
	QTY.	PART #	DESCRIPTION	76	1	583112	SPINDLE SHAFT
37	1	343030	SPINDLE SHAFT	77	1	583113	BEARING SPACER TUBE
38	2	363350	SPINDLE BEARING	78	2	583108	5/8 DISC SPRING WASHER
39	1	363380	SPINDLE HOUSING	79	2	583110	PULLEY SPACER
40	1	363121	WHEEL WASHER	80	2	583144	SPRING
41	1	343126	HEX PULLEY - 5-3/4	81	1	603035	20" BLADE
42	1	343128	PULLEY WASHER	Note A	1	823323	ROTATIING PARTS – WARNING
				Note A	1	823326	DISCHARGE WARNING
				82	1	363192	LARGE YOKE
				83	1	363210	BLADE DRIVE BELT

NOTE:

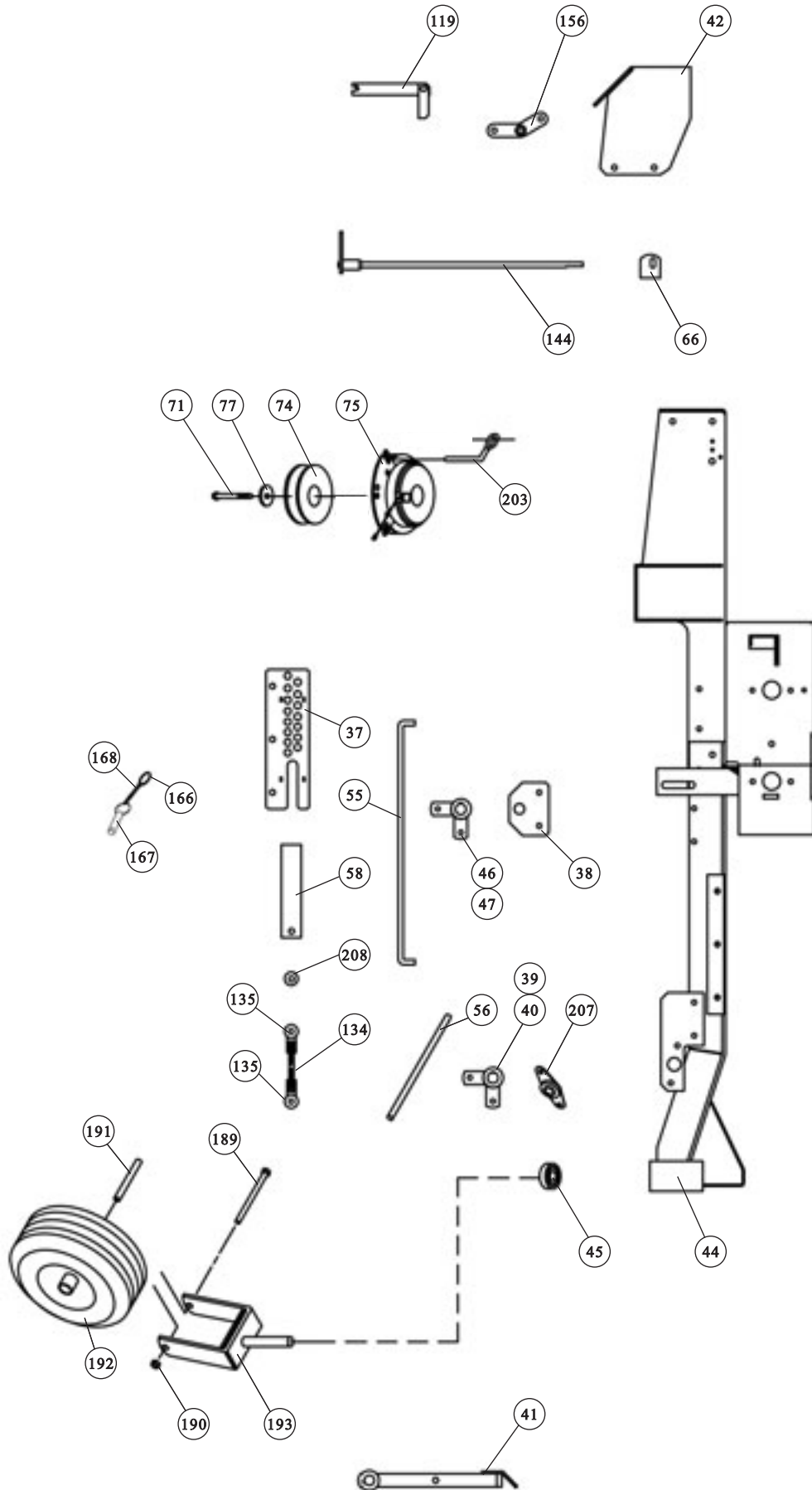
- ALL PARTS ARE LISTED IN THE CHART(S),BUT NOT ALL ARE DISPLAYED IN EXPLODED STATE.
 - IF NO PART NUMBER IS LISTED, THE PART IS AN ASSEMBLY, AND THE PARTS MUST BE PURCHASED INDIVIDUALLY.
- A. SEE THE DECAL LIST SECTION FOR ALL DECALS.

MAIN FRAME ASSEMBLY Fig. 2 of 2



MAIN FRAME ASSEMBLY Fig. 2 of 2

MAIN FRAME ASSEMBLY Fig. 1 of 2



MAIN FRAME ASSEMBLY Fig. 1 of 2

MAIN FRAME ASSEMBLY

#	QTY.	PART#	DESCRIPTION	#	QTY.	PART#	DESCRIPTION
1	1	100004	1/4-20 X 1 HHCS	43	MAIN FRAME W/BEARING		
2	1	100005	1/4-20 X 1-1/4 HHTB		QTY.	PART#	DESCRIPTION
3	6	100252	1/4-20 X 3/4 HHCS	44	MAIN FRAME WELDMENT		
4	8	100270	5/16-18 X 5/8 HHCS	45	4	423109	7/8 FLANGE BEARING
5	55	100271	5/16-18 X 3/4 HHCS	46	1	342045	LIFT ARM – RR W/BUSH
6	8	100273	5/16-18 X 1 HHCS	47	1	342046	LIFT ARM – LR W/BUSH
7	6	100274	5/16-18 X 1-1/4 HHCS	48	1	342048	CONTROL TUBE – RH
8	8	100276	5/16-18 X 1-3/4	49	1	342050	CONTROL TUBE – LH
9	3	100279	5/16-18 X 2-1/2 HHCS	50	2	342052	CONTROL ARM
10	8	100280	5/16-18 X 2.75 HHCS	51	1	342058	REAR BRACE
11	1	100295	3/8-16 X 1-3/4 HHCS	52	1	342060	FUEL TANK MOUNT
12	1	100296	3/8-16 X 2 HHCS	53	1	342062	BATTERY FENDER MOUNT
13	2	100305	3/8-16 X 4-1/2 HHCS	54	1	343022	FENDER – RH
14	2	100501	1/4-28 X 1/2 HHCS	Note A	1	343062	CUTTING HEIGHT DECAL
Note C	12	101039	#10-24 X 5/8	55	2	343070	DECK LIFT ROD
15	2	101252	#5-40 X 1 MACH SCREW	Note C	1	343077	WIRE HARNESS Z34 KAWASAKI
16	5	102000	#12-24 X 5/8 THR CUT	56	1	343081	DECK LIFT SHAFT
17	8	103023	1/2-20 LUG NUT	57	2	343091	TRANS BRACE
18	3	103292	1/4-28 SET SCREW	58	1	343093	DECK HEIGHT TUBE
19	12	104252	#10-24 NYLOCK NUT	59	2	343102	CONTROL MOUNT SPACER
20	3	104255	1/4-20 NYLOC NUT	60	1	343104	CONTROL SUPPORT ROD
21	45	104256	5/16 – 18 NYLOC NUT	Note C	1	343108	POSITIVE CABLE
22	4	104257	3/8 NYLOCK NUT	Note C	1	343109	NEGATIVE CABLE
23	2	104520	#5-40 HEX NUT	61	1	343110	FOOT TREAD
24	4	105004	1/4 LOCKWASHER	62	2	343111	DRIVE WHEEL ASSY
25	16	105005	5/16 LOCKWASHER	Note A	1	343114	Z34 DECAL
26	24	105258	5/16 FLATWASHER	63	1	343119	PUMP IDLER SPRING
27	10	105260	3/8 FLATWASHER	64	1	343122	PARK BRAKE CABLE
28	6	105264	1/2 FLATWASHER	65	1	343125	BRAKE RETURN SPRING
29	2	105269	3/4" SAE FLATWASHER	66	1	343130	MUFFLER STRAP
30	2	106753	3/32 X 3/4 COTTER PIN	67	1	343132	FUEL TANK BRACE
31	2	106763	1/8 X 1-1/4 COTTER PIN	68	1	343134	BATTERY BOOT – Z34
32	3	107255	3/16 X 3/16 X 1 MACH KEY	69	2	343138	CONTROL STOP
33	2	108509	E-RING	70	ENGINE ASSY - 15KAW		
34	6	109000	1/4-20 WHIZLOCK NUT		QTY.	PART#	DESCRIPTION
35	12	109001	5/16 – 18 WHIZLOC NUT	71	1	100536	7/16-20 X 3 HHCS
Note C	2	109012	1/4-20 WING NUT	72	1	343019	MUFFLER 15 / 17 KAWASAKI
36	2	253063	ENGINE SHAFT SPACER	73	1	343020	15 HP KAW – FH451V
37	1	342016	HEIGHT CONTROL	74	1	343083	PUMP DRIVE PULLEY
38	2	342018	REAR LIFT PIVOT	75	1	343084	CLUTCH
39	1	342020	LIFT ARM –RF	76	1	343098	CLUTCH SPACER
40	1	342022	LIFT ARM – LF	Note A	1	363290	REFUELING LABEL
41	1	342028	FOOT LIFT ARM	77	1	423069	7/16 DISC SPRING WASHER
42	1	342042	REAR GUARD	78	THREAD LOCKER 242 (BLUE)		

NOTE:

1. ALL PARTS ARE LISTED IN THE CHART(S),BUT NOT ALL ARE DISPLAYED IN EXPLODED STATE.
 2. IF NO PART NUMBER IS LISTED, THE PART IS AN ASSEMBLY, AND THE PARTS MUST BE PURCHASED INDIVIDUALLY.
- A. SEE THE DECAL LIST SECTION FOR ALL DECALS.
- B. SEE THE TRANSAXLE SECTION.
- C. SEE THE ELECTRICAL CONTROLS SECTION.

MAIN FRAME ASSEMBLY

#	QTY.	PART#	DESCRIPTION	#	QTY.	PART#	DESCRIPTION		
79			HANDLES - BOXED	114		2	363098	GAS LINE CLAMP	
	QTY.	PART#	DESCRIPTION	115		1	393042	VALVE GROMMET	
80			LITERATURE PACKET - Z34 KAWASAKI	116		1	393044	SHUT - OFF VALVE	
	QTY.	PART#	DESCRIPTION	117		1	603032	24" FUEL LINE	
81		1	363222	PLASTIC TIE	118		1	823179	FUEL CAP - LARGE
82		1	923005	10 x 12 x 2 mil PLASTIC BAG	119			DUMP VALVE CHANNEL	
83		1	933020	PRO QUALITY CHECKLIST		QTY.	PART#	DESCRIPTION	
84		1	933049	ENCORE LEASE CARD	120		1	102000	#12 - 24 x 5/8 THREAD CUTTING SCREW
85		1	933099	ENGINE MANUAL FH KAWASAKI	121		1	104751	5/16 - 18 JAM NUT
86		1	933106	WARRANTY REGISTRATION FORM	122		1	107520	5/16 - 18 x 1.75 CARR. HD. FULL THD.
87		1	933117	OPERATORS MANUAL - Z34	123		1	342040	DUMP VALVE CHANNEL
88			BOLT BAG - Z34	124		1	343072	DUMP VALVE ROD	
	QTY.	PART#	DESCRIPTION	125		1	343075	RETAINING CLIP	
89		8	100271	5/16 - 18 x 3/4 HHCS	126		1	753028	KNOB
90		4	100275	5/16-18 x 1-1/2 HHCS	127			SEAT - BOXED	
91		4	105005	5/16 LOCK WASHERS		QTY.	PART#	DESCRIPTION	
92		8	109001	5/16 - 18 WHIZLOCK NUTS	128		1	423246	SEAT LT. GREY W/O TRACK
93		2	343151	HANDLE ANGLE	Note A		1	453009	ENCORE W/LOGO
94		1	923001	8 x 10 x 4 mil PLASTIC BAG	130		1	523030	SEAT SWITCH
95			INSTRUCTION SHEET	131				SEAT FOLDER	
96			HANDLE W/GRIP	132				CONTROL ASSY - LONG	
	QTY.	PART#	DESCRIPTION		QTY.	PART#	DESCRIPTION		
97		1	343149	Z-HANDLE / ADJ.	133		2	104752	5/16 - 24 HEX JAM NUT
98		1	523032	HANDLE GRIP (RIDER)	134		1	343034	CONTROL LINK - LONG
99		1	523033	HANDLE PLUG	135		2	453081	.312 ROD END
100			BUMPER FOLDER	136				CONTROL ASSY - SHORT	
Note B			TRANS AXLE ASSY		QTY.	PART#	DESCRIPTION		
101			CONTROL PANEL ASSY	137		2	104752	5/16 - 24 HEX JAM NUT	
	QTY.	PART#	DESCRIPTION	138		1	343032	CONTROL LINK - SHORT	
102		1	100005	5/16 - 18 x 1.25 HHTB	139		2	453081	.312 ROD END
103		4	101039	#10 - 24 x 5/8 MACH. SCREW	140			DECK LIFT LINK ASSY	
104		4	104252	#10 - 24 NYLOC NUT		QTY.	PART#	DESCRIPTION	
105		1	108500	E-RING 5/8	141		2	109008	3/8-24 WHIZLOCK NUT
106		1	109001	5/16 - 18 WHIZLOCK NUT	142		1	153184	CONNECTOR LINK
107		1	109025	5/8 HEAVY WASHER	143		2	523104	3/8 ROD END
108			CONTROL PANEL w/ BUSHING	144				RIGHT BRAKE CRANK ASSY	
	QTY.	PART#	DESCRIPTION		QTY.	PART#	DESCRIPTION		
109		1	253059	ENGAGEMENT BUSHING	145		1	100274	5/16 - 18 x 1 1/4 HHTB
110			CONTROL PANEL WELDMENT	146		1	100501	1/4 - 28 HHCS PLATED	
111		1	342044	PARK BRAKE LEVER w/ GRIP	147		1	104256	5/16 - 18 NYLOCK NUT
Note A		1	343060	CONTROL DECAL	148		1	109001	5/16 - 18 WHIZLOCK NUT
Note A		1	343061	PARK BRAKE DECAL	149		1	342002	BRAKE CRANK - RH WELDMENT PLATED
Note C		1	363352	THROTTLE CONTROL - CONSOLE	150		1	343044	BRAKE ROD
Note C		1	523034	PARK BRAKE SWITCH	151		1	363159	NYLON BUSHING
112			FUEL TANK ASSY	152		1	363177	3/8 PUSH NUT	
	QTY.	PART#	DESCRIPTION	153		1	423130	PARK BRAKE SWIVEL	
113		1	343021	FUEL TANK / FENDER	154		1	523024	SPRING

NOTE:

1. ALL PARTS ARE LISTED IN THE CHART(S), BUT NOT ALL ARE DISPLAYED IN EXPLODED STATE.
 2. IF NO PART NUMBER IS LISTED, THE PART IS AN ASSEMBLY, AND THE PARTS MUST BE PURCHASED INDIVIDUALLY.
- A. SEE THE DECAL LIST SECTION FOR ALL DECALS.
 B. SEE THE TRANSAXLE SECTION.
 C. SEE THE ELECTRICAL CONTROLS SECTION.

MAIN FRAME ASSEMBLY

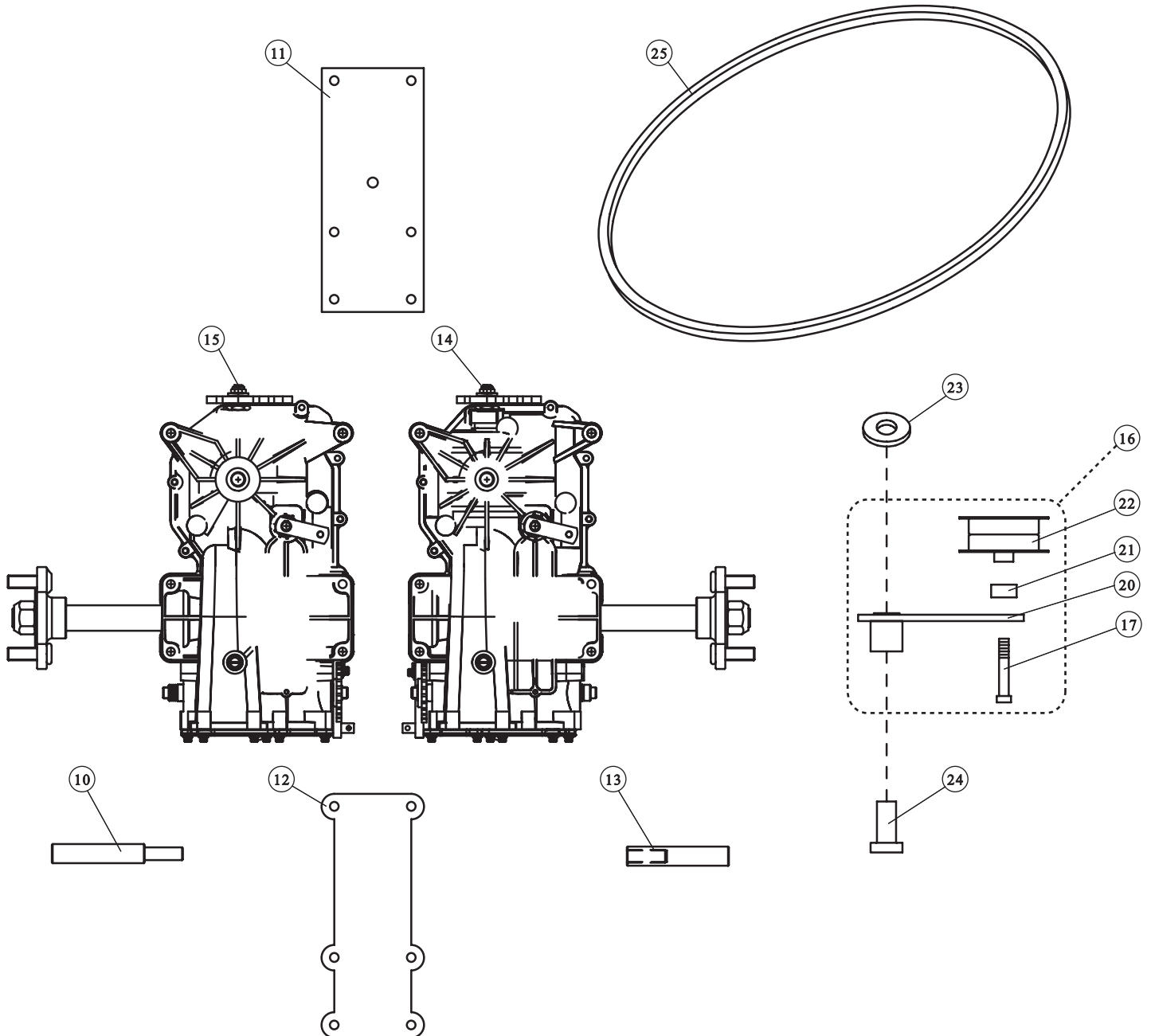
#	QTY.	PART#	DESCRIPTION	#	QTY.	PART#	DESCRIPTION
155		1 523112	5/16 CLAMP COLLAR	195	1	363026	SERIAL NO. PLATE
156			LEFT BRAKE CRANK ASSY	196	1	363080	EYE BOLT
	QTY.	PART#	DESCRIPTION	197	4	363113	SPACER
157	1	104256	5/16 - 18 NYLOCK NUT	198	10	363165	#3 HAIRPIN COTTER
158	1	342004	BRAKE CRANK - LH WELDMENT PLATED	199	4	363196	CLEVIS PIN
159	1	343044	BRAKE ROD	200	1	363210	BLADE DRIVE BELT
160	1	363159	NYLON BUSHING	201	6	363222	CABLE TIE
161	1	363177	3/8 PUSH NUT	202	7	363226	5/16 DISC SPRING WASHER
162	1	423130	PARK BRAKE SWIVEL	203	1	373070	BELT GUIDE - LONG
163	1	523024	SPRING	204	2	373089	RETAINING WASHER
164	1	523112	5/16 CLAMP COLLAR	205	1	422099	SEAT PLATE
165			DECK HEIGHT PIN ASSY	Note C	1	423011	HOLD DOWN ANGLE
	QTY.	PART#	DESCRIPTION	Note C	1	423017	STARTER RELAY
166	1	109002	1 1/2 O.D. SPLIT RING	Note C	1	423027	IGNITION SWITCH
167	1	109026	1/2 x 2.00 BALL DETENT RING PIN	206	2	423071	7/8 CLAMP COLLAR
168	1	123012	SAFETY CHAIN	Note C	1	423116	POSITIVE CABLE
169			FOOT PLATE ASSY	207	4	423140	3/4 I.D. 2 BOLT BEARING
	QTY.	PART#	DESCRIPTION	Note C	1	423142	BATTERY
170	5	101039	#10 - 24 x 5/8 PPH SCREW	Note A	1	423155	RIDER CAUTION DECAL
171	5	104252	#10 - 24 NYLOCK NUT	Note C	3	423158	TERMINAL INSULATOR
172	1	342014	FOOT PLATE WELDMENT	Note C	2	423172	BATTERY HOLD DOWN RODS
173	2	343110	STEP TREAD - Z34	208	1	483017	RH IDLER SPACER
174	2	363201	GAS TANK PAD	Note C	1	523031	PTO SWITCH
175	1	523105	HINGE	209	1	523044	SEAT CABLE
Note A	1	823323	ROTATING PARTS - WARNING	210	1	523105	HINGE
176			CONTROL PIVOT ASSY - RH	211	2	523138	3/4 CLAMP COLLAR
	QTY.	PART#	DESCRIPTION	212	2	523222	CONTROL LEVER ANGLE
177	1	104259	1/2-13 NYLOC NUT	213	2	523242	7/16 CLEVIS PIN LONG
178	1	105264	1/2 STD FLATWASHER	214	2	523278	SEAT SPRING
179	1	342055	DRIVE BLOCK W/ZERK	Note C	1	523283	HOUR METER
180	1	363024	COMPRESSION SPRING	215	1	582109	RH PIVOT W/BUSHING
181	1	582084	LH NEUTRAL LOCK PIVOT	216	1	582110	LH PIVOT W/BUSHING
182			CONTROL PIVOT ASSY - LH	217	1	583254	RH LEVER LOCK
	QTY.	PART#	DESCRIPTION	218	1	583256	LH LEVER LOCK
183	1	104259	1/2-13 NYLOC NUT	Note C	1	583351	LIFT RELAY
184	1	105264	1/2 STD FLAT WASHER	Note C	1	583423	TIME DELAY MODULE
185	1	342055	DRIVE BLOCK W/ZERK	Note C	1	823193	NEUTRAL SWITCH
186	1	363024	COMPRESSION SPRING	219	3	823314	SADDLE SPACER
187	1	582082	RH NEUTRAL LOCK PIVOT	Note A	1	823320	BATTERY - WARNING DECAL
188			CASTER ASSY	Note A	1	823323	ROTATION PARTS - WARNING
	QTY.	PART#	DESCRIPTION				
189	1	100339	1/2 - 13 X 6 HHCS				
190	1	104259	1/2 - 13 NYLOC NUT				
191	1	363307	AXLE TUBE				
192	1	363311	10" CASTER WHEEL				
193	1	422016	FRONT CASTER YOKE - PAINTED				
194	2	363024	COMPRESSION SPRING				

NOTE:

1. ALL PARTS ARE LISTED IN THE CHART(S), BUT NOT ALL ARE DISPLAYED IN EXPLODED STATE.
 2. IF NO PART NUMBER IS LISTED, THE PART IS AN ASSEMBLY, AND THE PARTS MUST BE PURCHASED INDIVIDUALLY.
- A. SEE THE DECAL LIST SECTION FOR ALL DECALS.
- B. SEE THE TRANSAXLE SECTION.
- C. SEE THE ELECTRICAL CONTROLS SECTION.

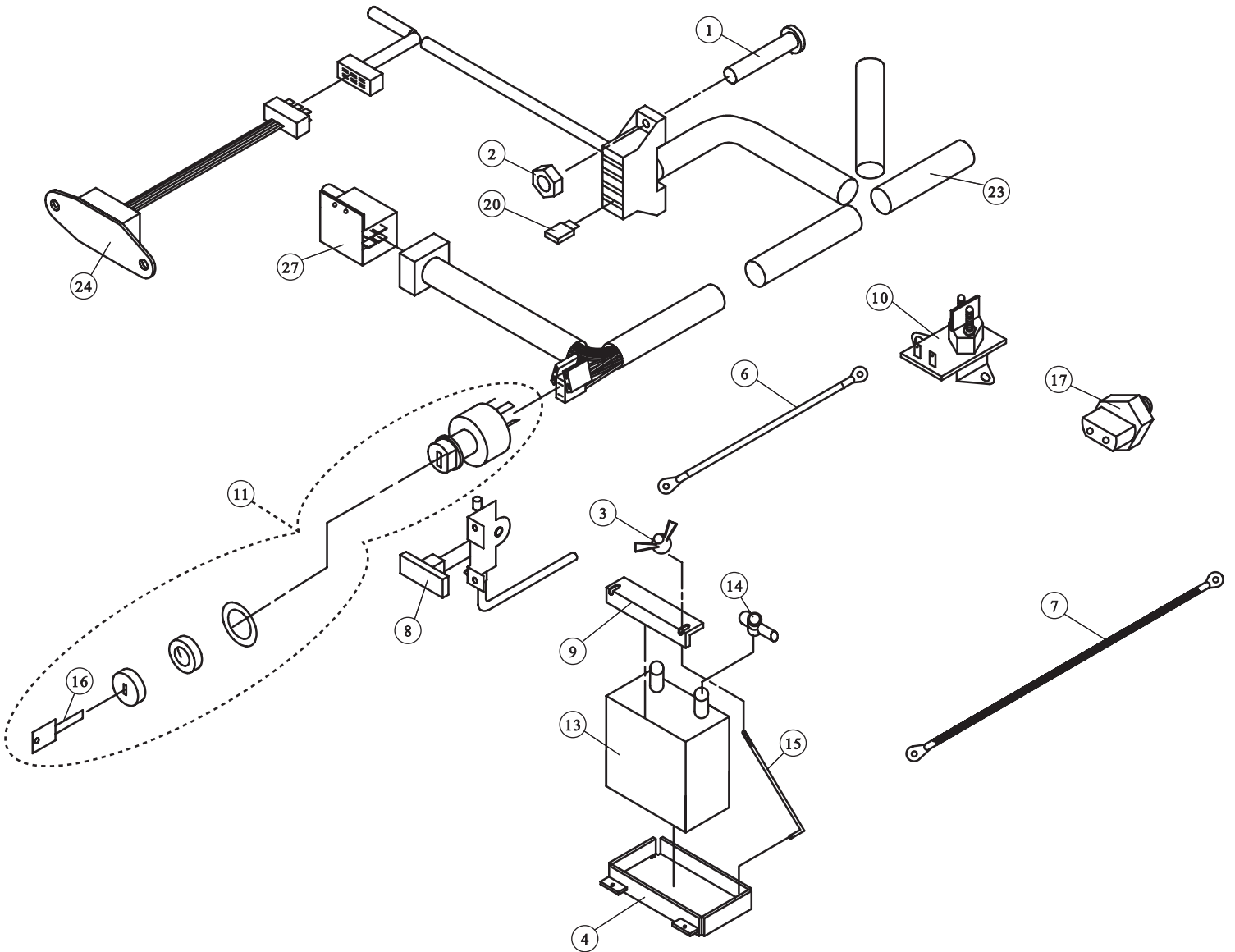
TRANSAXLE ASSEMBLY

#	QTY.	PART #	DESCRIPTION	#	QTY.	PART #	DESCRIPTION
1	2	100278	5/16 – 18 x 2 ¼ HHCS	15	1	343121	IZT – TRANSAXLE LH
2	6	100280	5/16 – 18 x 2.75 HHCS	16			PUMP BELT IDLER ASSEMBLY
3	1	100300	3/8 – 16 x 3 HHCS				
4	6	104256	5/16 – 18 NYLOCK NUT		QTY.	PART #	DESCRIPTION
5	1	104257	3/8 – 16 NYLOCK NUT	17	1	100297	3/8 – 16 x 2-1/4 HHCS
6	1	104755	½ - 20 JAM NUT	18	1	104257	3/8 – 16 NYLOCK NUT
7	2	105005	5/16 LOCKWASHER	19	1	105260	3/8 STD. FLAT WASHER
8	2	107524	5/16 – 18 x 1 ¼ CARR. HD.	20	1	342056	IDLER ARM w/ BUSHING
9	2	109001	5/16 – 18 WHIZLOCK NUT	21	1	483017	RIGHT IDLER SPACER
10	1	343014	AXLE SUPPORT ROD – (M)	22	1	823351	DRIVE IDLER (PLASTIC)
11	1	343036	TRANSAXLE MOUNT - TOP	23	1	373089	RETAINING WASHER
12	1	343038	TRANSAXLE MOUNT - LOWER	24	1	423175	IDLER PIVOT
13	1	343116	AXLE SUPPORT ROD – (F)	25	1	583385	PUMP BELT
14	1	343120	IZT – TRANSAXLE RH				



ELECTRICAL CONTROLS

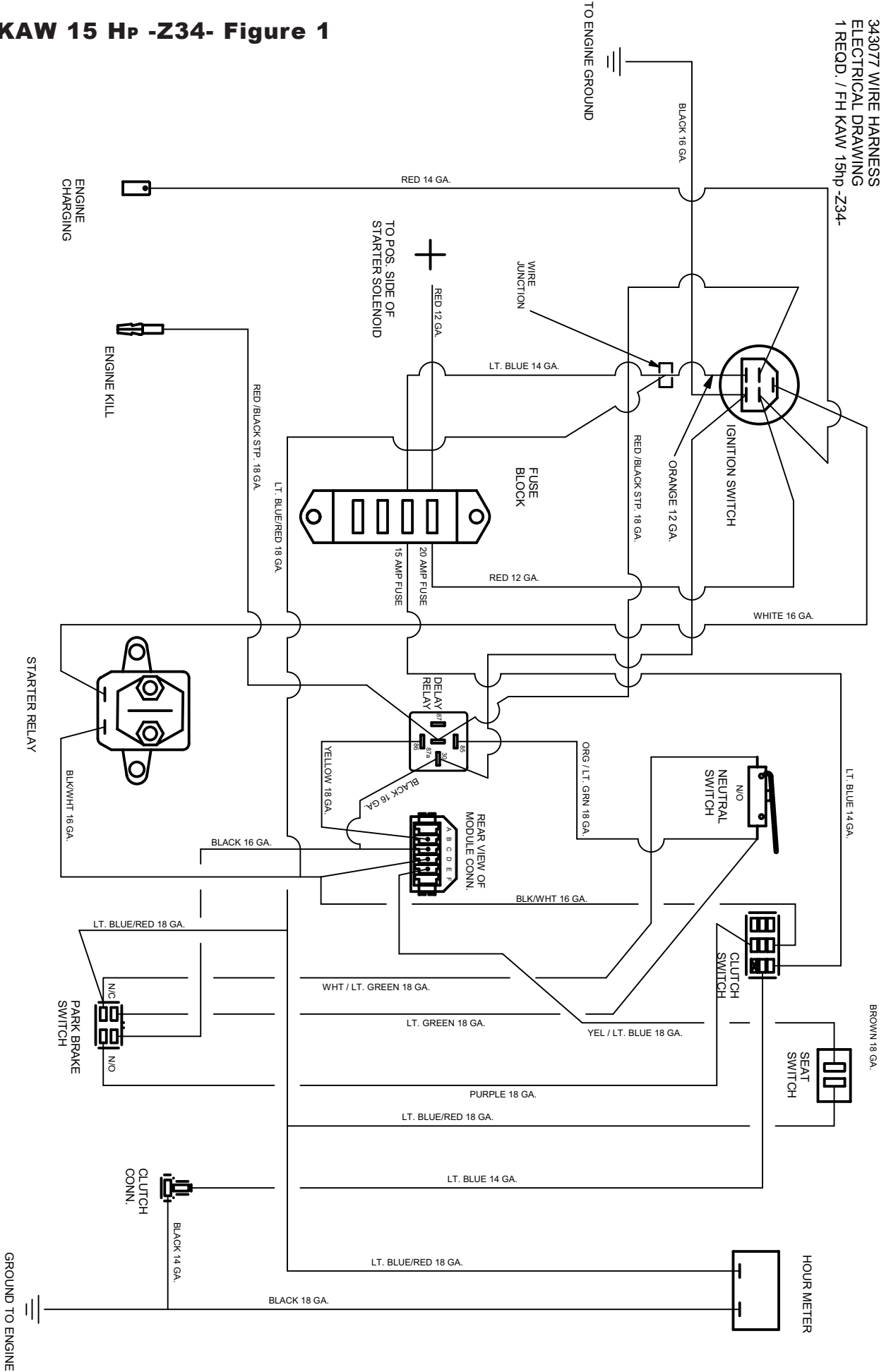
#	QTY.	PART#	DESCRIPTION	#	QTY.	PART#	DESCRIPTION
1	12	101039	#10-24 X 5/8	15	2	423172	BATTERY HOLD DOWN RODS
2	12	104252	#10-24 NYLOCK NUT	16	1	423209	SERVICE IGNITION KEY
3	2	109012	¼-20 WING NUT	17	1	523030	SEAT SWITCH
4	1	342062	BATTERY FENDER MOUNT	18	1	523031	PTO SWITCH
5	1	343077	WIRE HARNESS Z34 KAWASAKI	19	1	523034	PARK BRAKE SWITCH
6	1	343108	POSITIVE CABLE	20	1	523145	20 AMP FUSE
7	1	343109	NEGATIVE CABLE	21	1	523146	15 AMP FUSE
8	1	363352	THROTTLE CONTROL - CONSOLE	22	1	523283	HOUR METER
9	1	423011	HOLD DOWN ANGLE	23	1	583351	LIFT RELAY
10	1	423017	STARTER RELAY	24	1	583423	TIME DELAY MODULE
11	1	423027	IGNITION SWITCH	25	1	823193	NEUTRAL SWITCH
12	1	423116	POSITIVE CABLE				
13	1	423142	BATTERY				
14	3	423158	TERMINAL INSULATOR				



343077 WIRE HARNESS ELECTRICAL DRAWING

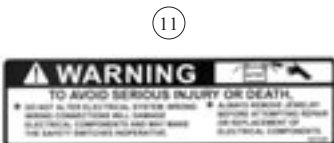
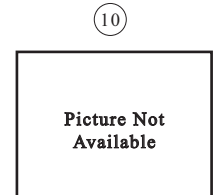
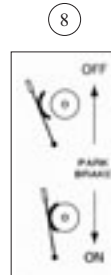
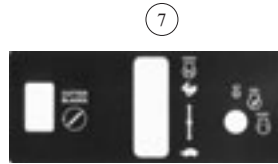
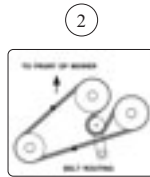
FH KAW 15 Hp -Z34- Figure 1

343077 WIRE HARNESS ELECTRICAL DRAWING / FH KAW 15 Hp -Z34- Figure 1



DECAL LIST

#	QTY.	PART#	DESCRIPTION	#	QTY.	PART#	DESCRIPTION
1	1	343062	CUTTING HEIGHT DECAL	9	1	423155	RIDER CAUTION DECAL
2	1	343063	BELT ROUTING DECAL	10	1	453009	ENCORE W/LOGO
3	1	343114	Z34 DECAL	11	1	823320	BATTERY – WARNING DECAL
4	1	363001	CAUTION DECAL	12	2	823323	ROTATION PARTS - WARNING
5	2	363023	DANGER DECAL	13	1	823326	DISCHARGE WARNING
6	1	363290	REFUELING LABEL				
7	1	343060	CONTROL DECAL				
8	1	343061	PARK BRAKE DECAL				



Notes:

