

# PARTS LIST

B27

## CONTENTS

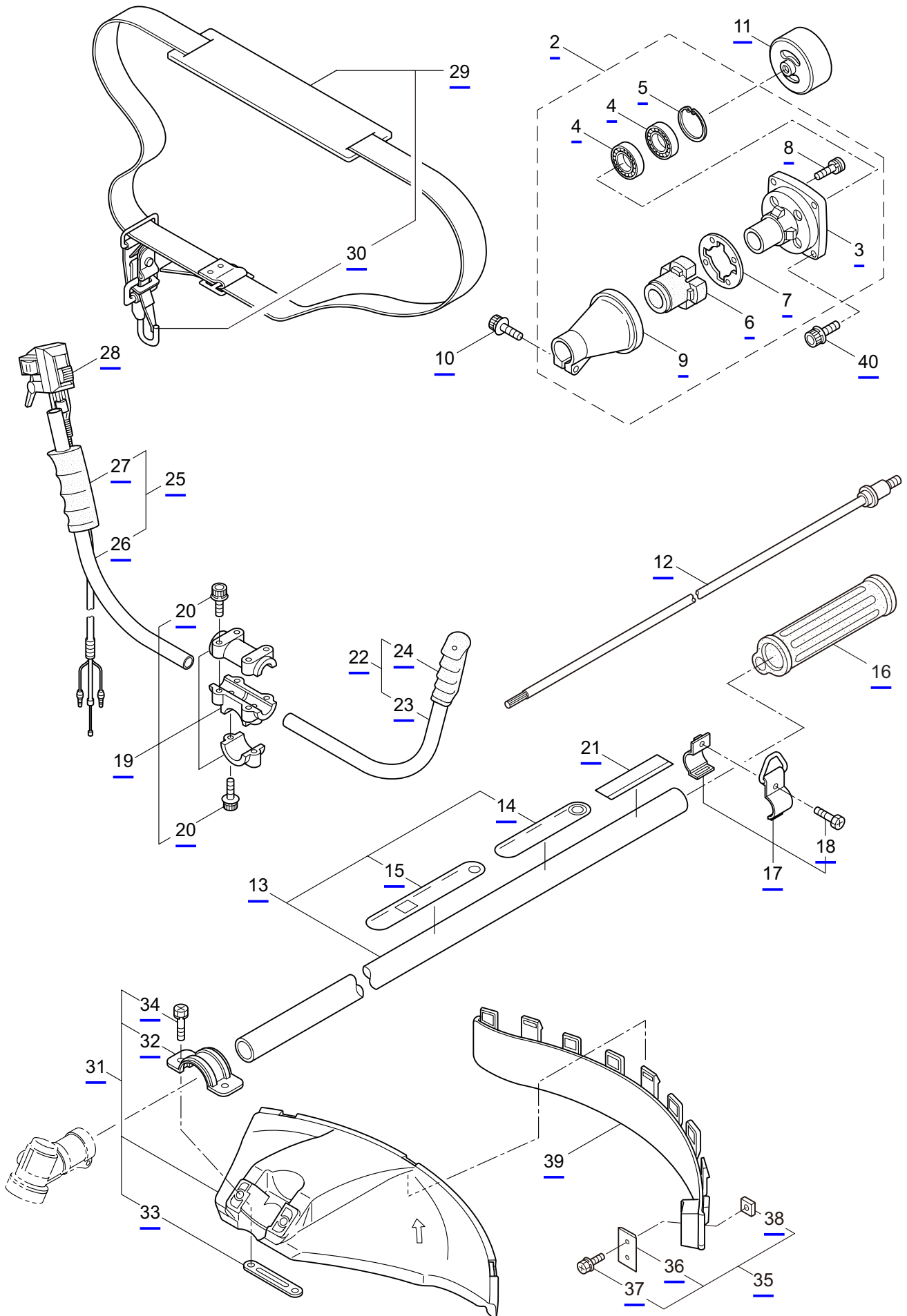
1. MAIN BODY .....	1 ~ 2
2. GEARCASE.....	3 ~ 4
3. ENGINE .....	5 ~ 8
4. CARBURETOR, FUEL TANK .....	9 ~ 12

2015. 03.



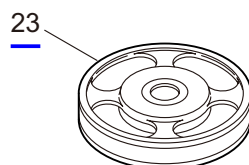
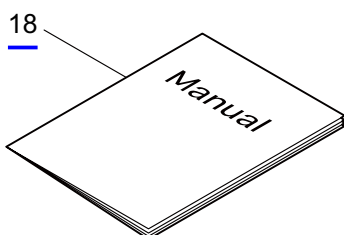
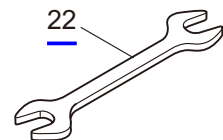
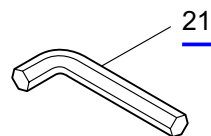
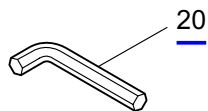
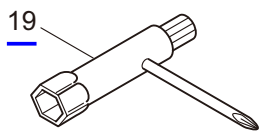
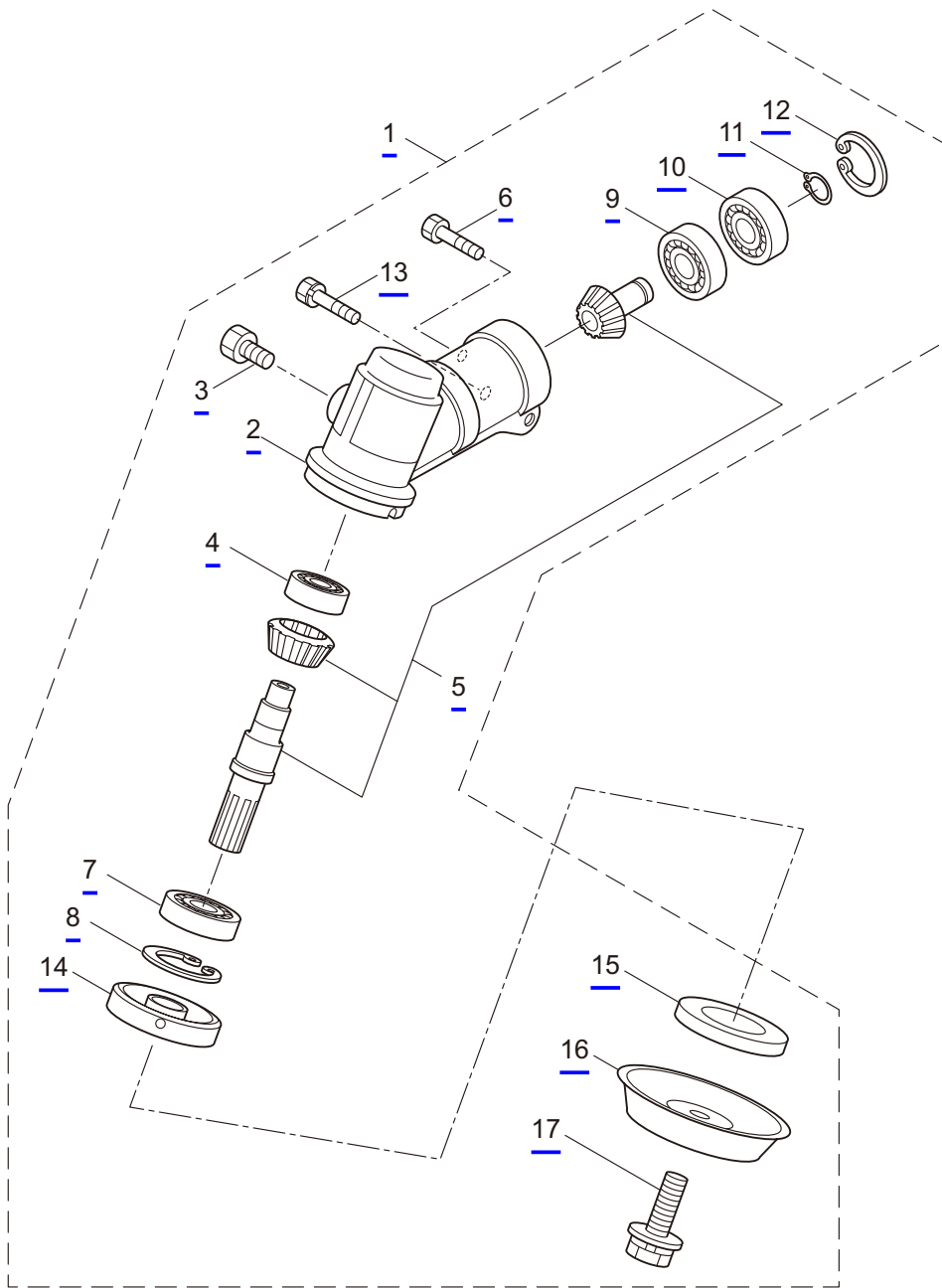
P/N 524006

1. B27  
MAIN BODY



Ref. No.	Part No.	Part Name	Q'ty	Remarks
1-1	<u>363877</u>	B27	1	
1-2	<u>215512</u>	Clutch Case Ass'y	1	Incl.3-9
1-3	<u>214592</u>	Bearing Case	1	
1-4	<u>214161</u>	Bearing	2	#6000ZZ
1-5	<u>054676</u>	Snap Ring	1	#26
1-6	<u>214162</u>	Buffer	1	
1-7	<u>214163</u>	Washer	1	
1-8	<u>092033</u>	Screw	4	M5x15
1-9	<u>214593</u>	Driveshaft Tube Adapter	1	
1-10	<u>261246</u>	Cap Screw	1	M5x25
1-11	<u>054677</u>	Clutch Drum	1	
1-12	<u>219268</u>	Driveshaft Ass'y	1	
1-13	<u>220078</u>	Driveshaft Tube Ass'y	1	Incl.14,15
1-14	<u>221501</u>	Label	1	Warning
1-15	<u>221502</u>	Label	1	Caution
1-16	<u>215532</u>	Shaft Grip	1	
1-17	<u>054691</u>	Hanging Bracket Ass'y	1	Incl.18
1-18	<u>089738</u>	Bolt	1	M5x15
1-19	<u>216935</u>	Bracket Ass'y	1	Incl.20
1-20	<u>261246</u>	Cap Screw	6	M5x25
1-21	<u>237294</u>	Label	1	B27
1-22	<u>225225</u>	Handle (A) Ass'y	1	Incl.23,24
1-23	<u>219362</u>	Handle (A)	1	
1-24	<u>218467</u>	Handle Grip	1	
1-25	<u>225227</u>	Handle (B) Ass'y	1	Incl.26,27
1-26	<u>219363</u>	Handle (B)	1	
1-27	<u>218468</u>	Handle Grip	1	
1-28	<u>221784</u>	Throttle Trigger	1	
1-29	<u>220533</u>	Hanging Strap Ass'y	1	Incl.30
1-30	<u>231657</u>	Hook	1	
1-31	<u>228302</u>	Safety Cover Ass'y	1	Incl.32-34
1-32	<u>227822</u>	Bracket	1	
1-33	<u>227819</u>	Bracket	1	
1-34	<u>092555</u>	Bolt	2	M6x30
1-35	<u>230789</u>	String Cutter Ass'y	1	Incl.36-38
1-36	<u>230747</u>	String Cutter	1	
1-37	<u>817002</u>	Bolt	1	M5x20
1-38	<u>228325</u>	Nut	1	
1-39	<u>230748</u>	Cover Extention	1	
1-40	<u>261250</u>	Cap Screw	4	M5x20

2. B27  
GEARCASE

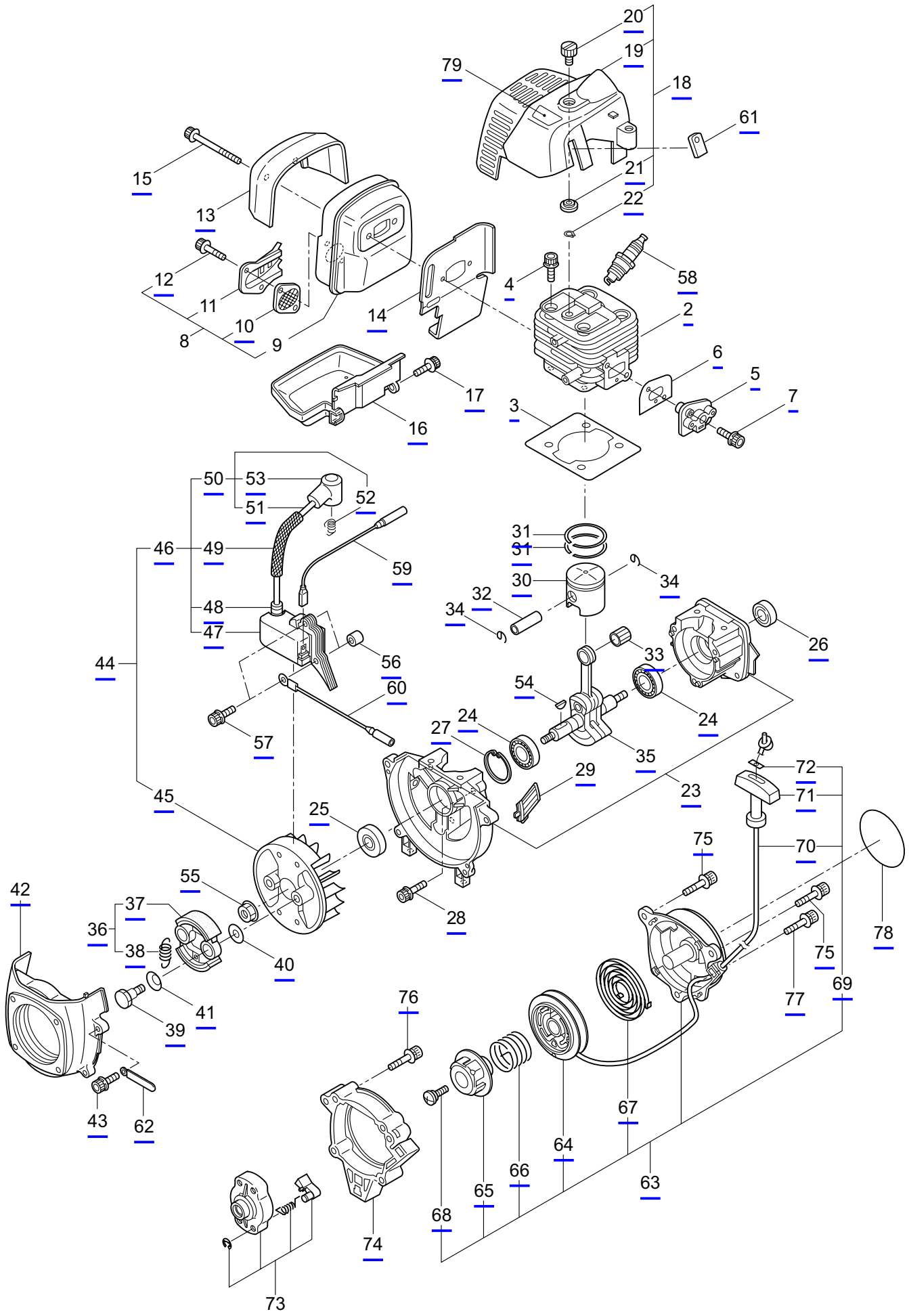


Ref. No.	Part No.	Part Name	Q'ty	Remarks
2-1	<a href="#">228403</a>	Gearcase Ass'y	1	Incl.2-17
2-2	<a href="#">225960</a>	Gearcase	1	
2-3	<a href="#">234247</a>	Bolt	1	M8x8
2-4	<a href="#">227990</a>	Bearing	1	#608
2-5	<a href="#">228416</a>	Gear Set	1	
2-6	<a href="#">225896</a>	Bolt	1	M5x10
2-7	<a href="#">227991</a>	Bearing	1	#6001DDU
2-8	<a href="#">055185</a>	Snap Ring	1	#28
2-9	<a href="#">227992</a>	Bearing	1	#609
2-10	<a href="#">227993</a>	Bearing	1	#609Z
2-11	<a href="#">228477</a>	Snap Ring	1	#9
2-12	<a href="#">140270</a>	Snap Ring	1	#24
2-13	<a href="#">092550</a>	Bolt	1	M5x25-7T
2-14	<a href="#">212986</a>	Boss Adapter	1	
2-15	<a href="#">140275</a>	Clamping Washer	1	
2-16	<a href="#">215547</a>	Stabilizer	1	
2-17	<a href="#">215610</a>	Bolt	1	M8x22,Counterclockwise
2-18	<a href="#">232025</a>	Instruction Manual	1	
2-19	<a href="#">210418</a>	Box Spanner	1	13x19x(+)
2-20	<a href="#">219431</a>	Wrench	1	3mm
2-21	<a href="#">219432</a>	Wrench	1	4mm
2-22	<a href="#">022865</a>	Double-ended Wrench	1	8x10
2-23	<a href="#">840337</a>	Nylon Head (4)	1	



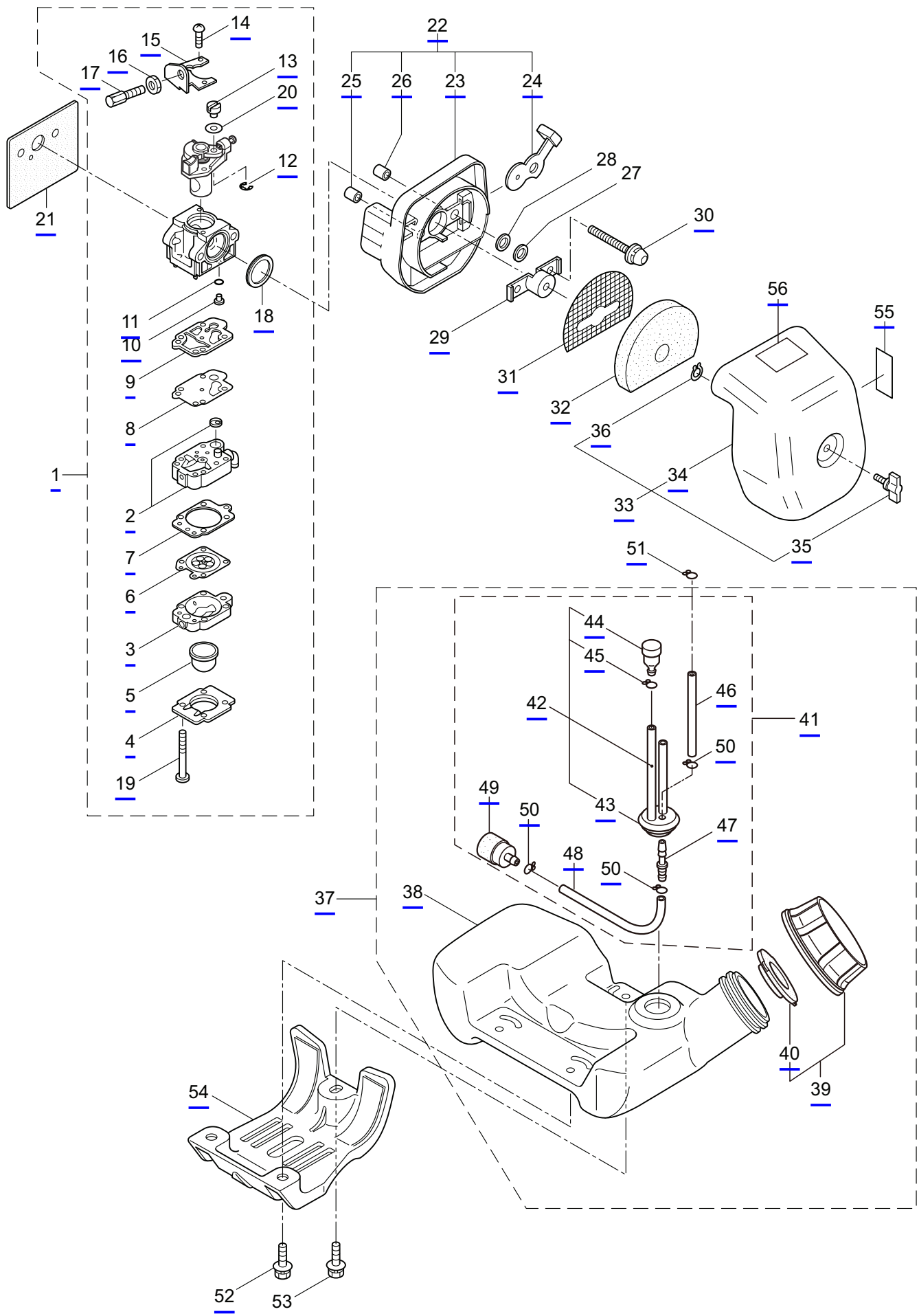
Ref. No.	Part No.	Part Name	Q'ty	Remarks
3-1	<a href="#">859745</a>	Engine	1	CE260/61
3-2	<a href="#">283734</a>	Cylinder	1	
3-3	<a href="#">283783</a>	Gasket	1	
3-4	<a href="#">261250</a>	Cap Screw	4	M5x20
3-5	<a href="#">269144</a>	Insulator	1	New gasket required
3-6	<a href="#">267049</a>	Gasket	1	
3-7	<a href="#">265924</a>	Cap Screw	2	M5x25
3-8	<a href="#">282208</a>	Muffler Ass'y	1	Incl.9-12
3-9	<a href="#">282209</a>	Muffler Comp	1	
3-10	<a href="#">267056</a>	Spark Arrester	1	
3-11	<a href="#">268171</a>	Muffler Tail	1	
3-12	<a href="#">265107</a>	Cap Screw	2	M4x10
3-13	<a href="#">284071</a>	Holder	1	
3-14	<a href="#">283940</a>	Gasket	1	
3-15	<a href="#">266402</a>	Cap Screw	2	M5x55
3-16	<a href="#">281435</a>	Under Cover	1	
3-17	<a href="#">267191</a>	Cap Screw	1	M5x16
3-18	<a href="#">281742</a>	Top Cover Ass'y	1	Incl.19-22
3-19	<a href="#">281434</a>	Top Cover	1	
3-20	<a href="#">261018</a>	Knob	1	
3-21	<a href="#">261020</a>	Spacer	1	
3-22	<a href="#">261734</a>	Snap Ring	1	#5
3-23	<a href="#">289582</a>	Crankcase	1	
3-24	<a href="#">280488</a>	Bearing	2	PPL 6001
3-25	<a href="#">261492</a>	Oil Seal	1	ISCD12287
3-26	<a href="#">261386</a>	Oil Seal	1	ISCD12227
3-27	<a href="#">055185</a>	Snap Ring	1	#28
3-28	<a href="#">261612</a>	Cap Screw	3	M5x30
3-29	<a href="#">281442</a>	Screen	1	
3-30	<a href="#">272809</a>	Piston	1	
3-31	<a href="#">261496</a>	Piston Ring	2	(2)Required
3-32	<a href="#">261497</a>	Piston Pin	1	
3-33	<a href="#">261037</a>	Bearing,Needle	1	KBK8x11x11.8x1
3-34	<a href="#">261576</a>	Clip,Piston	2	
3-35	<a href="#">265197</a>	Crankshaft/Conn.Rod Ass'y	1	
3-36	<a href="#">267327</a>	Clutch Ass'y	1	Incl.37,38
3-37	<a href="#">267342</a>	Clutch Shoe	2	(2)required
3-38	<a href="#">267345</a>	Spring,Clutch	1	
3-39	<a href="#">264505</a>	Bolt	2	
3-40	<a href="#">261189</a>	Washer	2	6x16.5x1.2
3-41	<a href="#">261777</a>	Wave Washer	2	
3-42	<a href="#">281433</a>	Fan Cover	1	
3-43	<a href="#">261250</a>	Cap Screw	4	M5x20
3-44	<a href="#">283729</a>	Magneto Ass'y	1	Incl.45-53
3-45	<a href="#">268253</a>	Rotor/Fan	1	

3. B27  
ENGINE



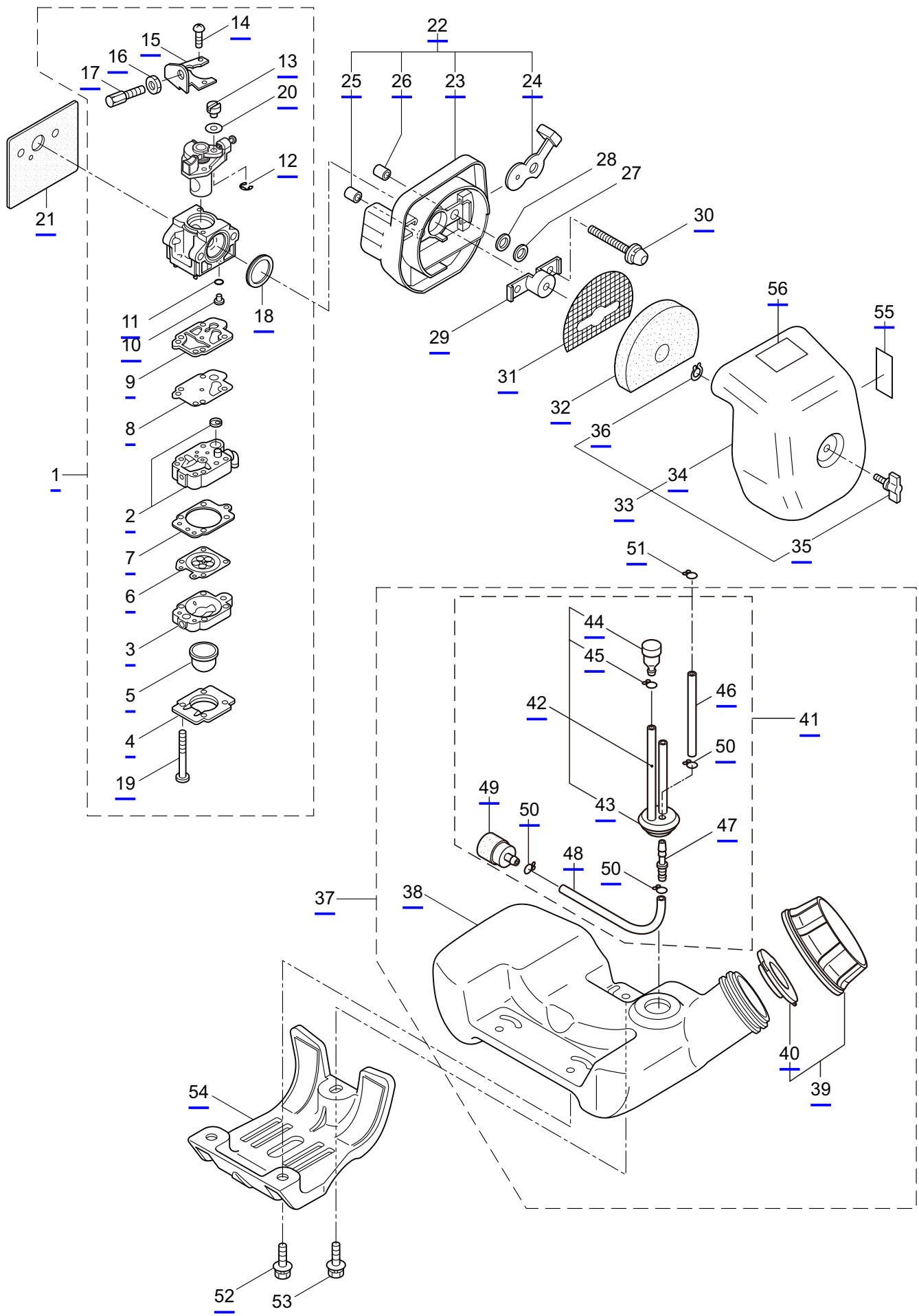
Ref. No.	Part No.	Part Name	Q'ty	Remarks
3-46	<a href="#">283705</a>	Ignition Coil Ass'y	1	Incl.47-53
3-47	<a href="#">283730</a>	Coil	1	
3-48	<a href="#">261072</a>	Cap	1	
3-49	<a href="#">283731</a>	Tube	1	
3-50	<a href="#">283732</a>	Spark Plug Wire Ass'y	1	Incl.51-53
3-51	<a href="#">283733</a>	Spark Plug Wire	1	
3-52	<a href="#">261075</a>	Connector	1	
3-53	<a href="#">261074</a>	Plug Boot	1	
3-54	<a href="#">261076</a>	Woodruff Key	1	3x10
3-55	<a href="#">261417</a>	Nut,Rotor	1	M8
3-56	<a href="#">280381</a>	Spacer	2	
3-57	<a href="#">261256</a>	Cap Screw	2	M4x25
3-58	<a href="#">285982</a>	Spark Plug	1	NGK <a href="#">BPM8Y</a>
3-59	<a href="#">261772</a>	Lead	1	
3-60	<a href="#">268044</a>	Lead	1	
3-61	<a href="#">269189</a>	Grommet	1	
3-62	<a href="#">264588</a>	Clamp	1	
3-63	<a href="#">283477</a>	Recoil Ass'y	1	Incl.64-72
3-64	<a href="#">283504</a>	Reel	1	
3-65	<a href="#">283505</a>	Cam Plate	1	
3-66	<a href="#">283506</a>	Spring	1	
3-67	<a href="#">280931</a>	Spiral Spring	1	
3-68	<a href="#">267213</a>	Screw	1	
3-69	<a href="#">283578</a>	Stator Rope Ass'y	1	Incl.70-72
3-70	<a href="#">283579</a>	Stator Rope	1	
3-71	<a href="#">261725</a>	Starter Grip	1	
3-72	<a href="#">283511</a>	Rope Stopper	1	
3-73	<a href="#">283575</a>	Starter Pawl Ass'y	1	
3-74	<a href="#">284698</a>	Adapter Ass'y	1	
3-75	<a href="#">283391</a>	Cap Screw	2	M4x20
3-76	<a href="#">265726</a>	Cap Screw	4	M4x16
3-77	<a href="#">282096</a>	Cap Screw	1	M4x16WSW
3-78	<a href="#">275430</a>	Label	1	B27 CER260
3-79	<a href="#">275431</a>	Label	1	B27

4. B27  
 CARBURETOR, FUEL TANK



Ref. No.	Part No.	Part Name	Q'ty	Remarks
4-1	<a href="#">283898</a>	Carburetor Ass'y	1	Incl.2-20 New gasket required
4-2	<a href="#">264155</a>	Pump Body	1	
4-3	<a href="#">262991</a>	Purge Body	1	
4-4	<a href="#">262992</a>	Cover Plate	1	
4-5	<a href="#">261874</a>	Primer Bulb	1	
4-6	<a href="#">283905</a>	Diaphragm, Meterring	1	
4-7	<a href="#">262993</a>	Gasket	1	
4-8	<a href="#">262994</a>	Diaphragm,Fuel Pump	1	
4-9	<a href="#">282576</a>	Gasket	1	
4-10	<a href="#">281487</a>	Main Jet	1	#37
4-11	<a href="#">261871</a>	O-Ring	1	
4-12	<a href="#">261876</a>	E-Ring	1	
4-13	<a href="#">261658</a>	Swivel	1	
4-14	<a href="#">261875</a>	Screw	2	
4-15	<a href="#">264677</a>	Bracket	1	
4-16	<a href="#">261878</a>	Nut	1	
4-17	<a href="#">263994</a>	Adapter	1	
4-18	<a href="#">261657</a>	Packing	1	
4-19	<a href="#">262996</a>	Screw	4	
4-20	<a href="#">264678</a>	Washer	1	
4-21	<a href="#">269762</a>	Gasket	1	
4-22	<a href="#">268055</a>	Air Filter Case Ass'y	1	Incl.23-26
4-23	<a href="#">268056</a>	Air Filter Case	1	
4-24	<a href="#">268057</a>	Valve	1	
4-25	<a href="#">268157</a>	Sleeve	1	5.5x7.1x6L
4-26	<a href="#">268412</a>	Sleeve	1	5.5x7.1x6.4L
4-27	<a href="#">263345</a>	Packing	1	7.2x11xt1.3
4-28	<a href="#">263942</a>	Washer	1	7.2x12xt0.15
4-29	<a href="#">263815</a>	Stay	1	
4-30	<a href="#">264016</a>	Cap Screw	2	M5x60
4-31	<a href="#">265026</a>	Screen	1	
4-32	<a href="#">265027</a>	Foam Element	1	
4-33	<a href="#">268058</a>	Air Filter Cover Ass'y	1	Incl.34-36
4-34	<a href="#">268059</a>	Air Filter Cover	1	
4-35	<a href="#">281438</a>	Knob	1	
4-36	<a href="#">261734</a>	Snap Ring	1	#5
4-37	<a href="#">289034</a>	Fuel Tank Ass'y	1	Incl.38-50
4-38	<a href="#">284820</a>	Fuel Tank	1	
4-39	<a href="#">289043</a>	Fuel Tank Cap Ass'y	1	Incl.40
4-40	<a href="#">287058</a>	Gasket	1	
4-41	<a href="#">289035</a>	Fuel Pipe Pick-up Ass'y	1	Incl.42-50
4-42	<a href="#">289036</a>	Fuel Pipe Ass'y	1	Incl.43-45
4-43	<a href="#">268065</a>	Grommet	1	
4-44	<a href="#">261590</a>	Breather	1	
4-45	<a href="#">261117</a>	Clip	1	

4. B27  
 CARBURETOR, FUEL TANK



Ref. No.	Part No.	Part Name	Q'ty	Remarks
4-46	<a href="#">289028</a>	Pipe A	1	3x5x53L
4-47	<a href="#">288921</a>	Joint	1	
4-48	<a href="#">289033</a>	Pipe	1	3x5x100L
4-49	<a href="#">264653</a>	Filter Ass'y	1	
4-50	<a href="#">261117</a>	Clip	3	
4-51	<a href="#">261117</a>	Clip	1	
4-52	<a href="#">281714</a>	Cap Screw	2	M5x20
4-53	<a href="#">281715</a>	Cap Screw	1	M5x20
4-54	<a href="#">281441</a>	Stand	1	
4-55	<a href="#">261352</a>	Label	1	Choke
4-56	<a href="#">285188</a>	Label	1	