

PARTS LIST

B300L

CONTENTS

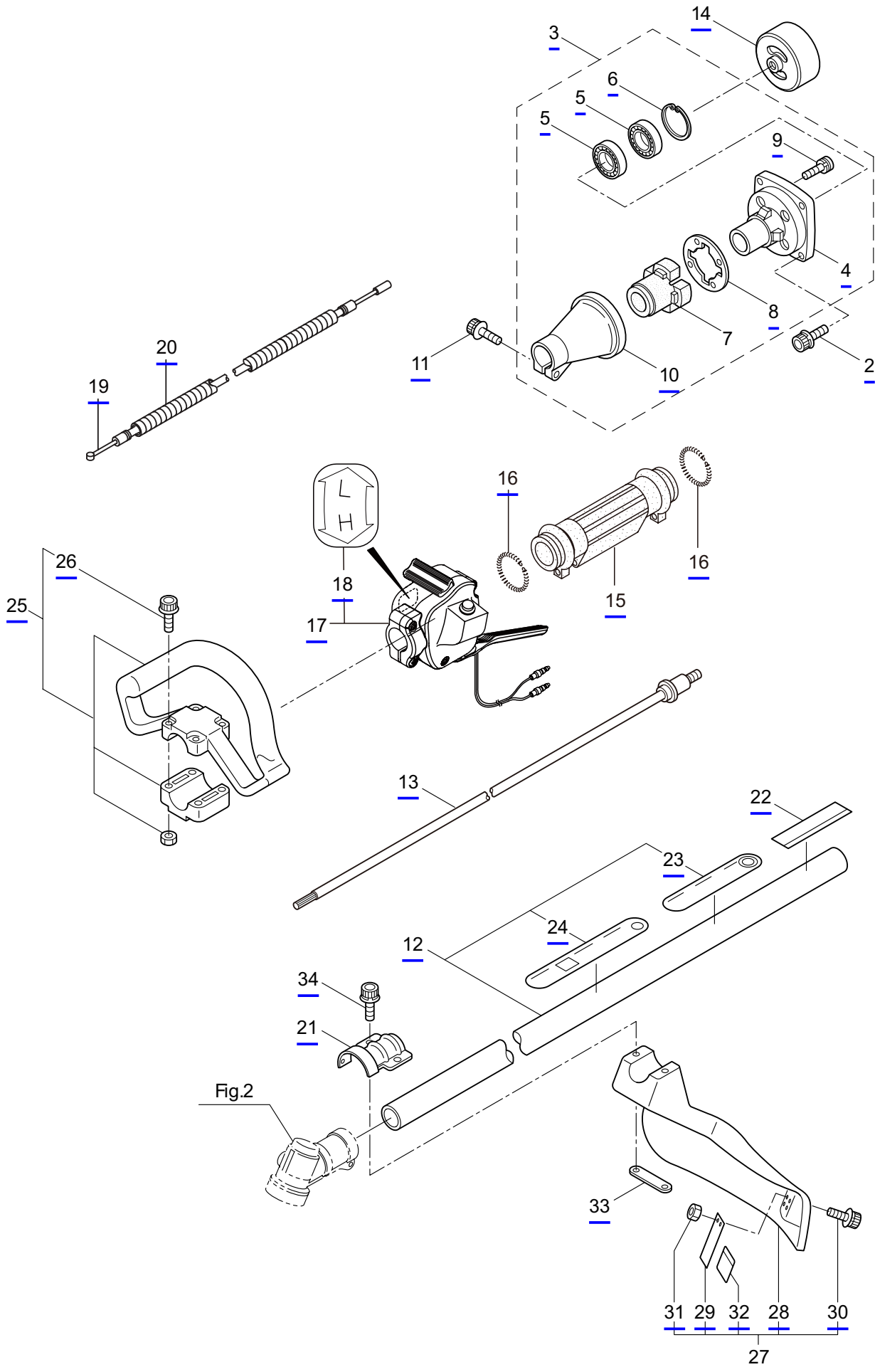
1. MAIN BODY	1 ~ 2
2. GEARCASE.....	3 ~ 4
3. ENGINE	5 ~ 8
4. CARBURETOR, FUEL TANK	9 ~ 12
5. ACCESSORIES	13 ~ 14

2019. 12.



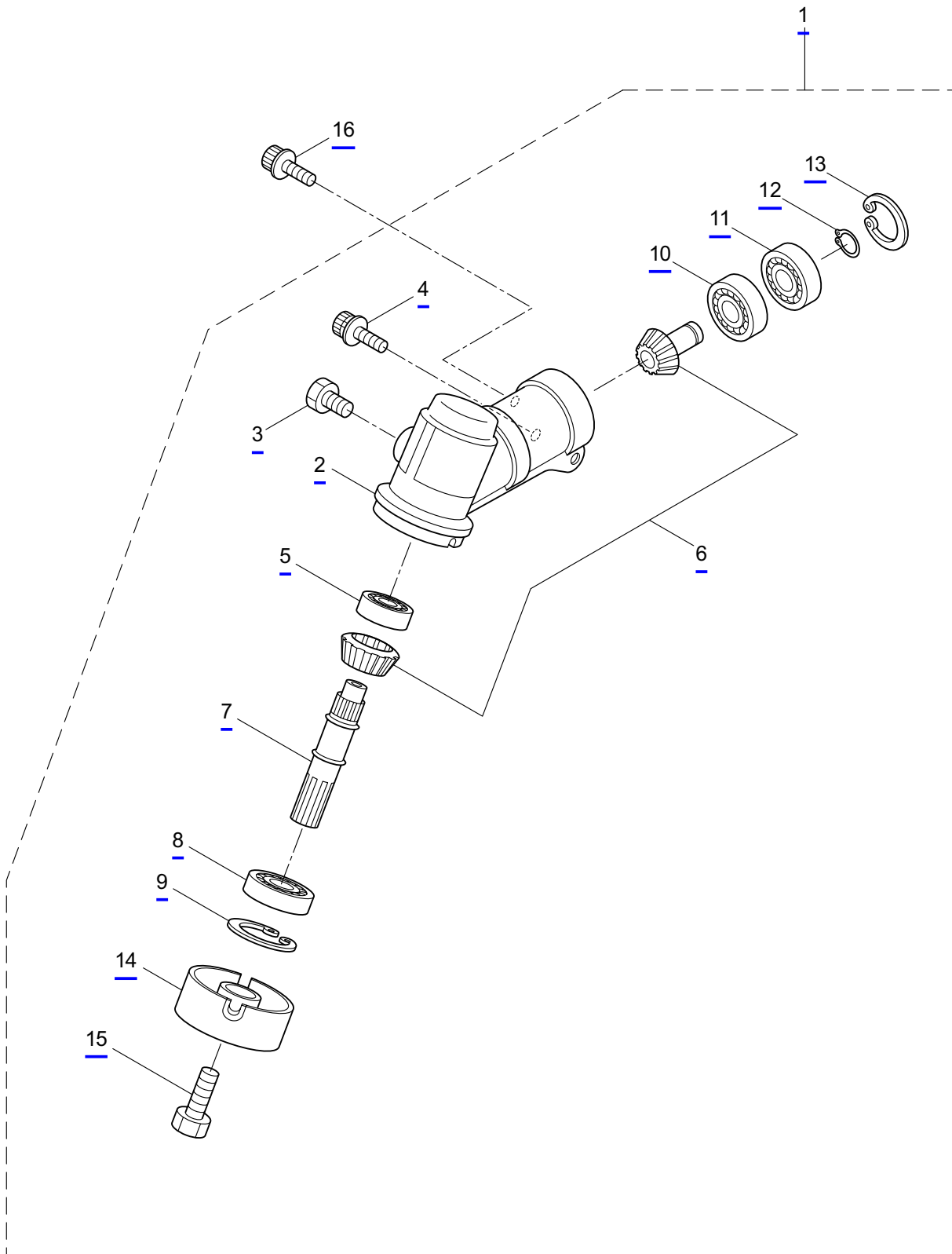
P/N 524914

1. B300L
MAIN BODY



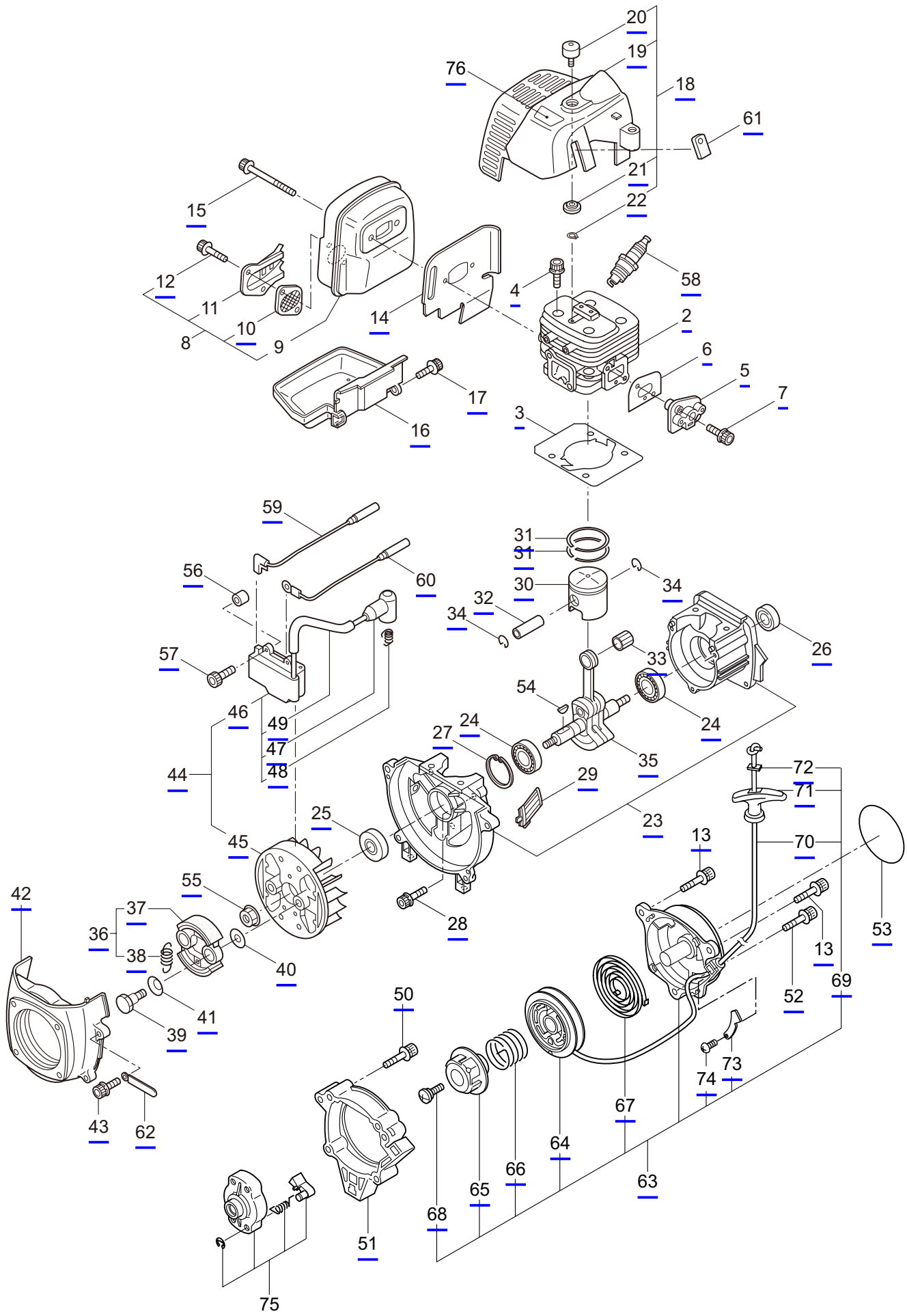
Ref. No.	Part No.	Part Name	Q'ty	Remarks
1-1	364853	B300L	1	
1-2	261250	Cap Screw	4	M5x20
1-3	215512	Clutch Case Ass'y	1	Incl.4-10
1-4	214592	Bearing Case	1	
1-5	214161	Bearing	2	#6000ZZ
1-6	054676	Snap Ring	1	#26
1-7	560309	Buffer	1	
1-8	214163	Washer	1	
1-9	092033	Screw	4	M5x15
1-10	214593	Driveshaft Tube Adapter	1	
1-11	261246	Cap Screw	1	M5x25
1-12	220078	Driveshaft Tube Ass'y	1	Incl.23,24
1-13	219268	Driveshaft Ass'y	1	
1-14	054677	Clutch Drum	1	
1-15	211736	Shaft Grip	1	
1-16	211737	Band	2	
1-17	242050	Throttle Trigger Ass'y	1	Incl.18
1-18	237241	Label	1	
1-19	235752	Throttle Cable	1	
1-20	213548	Plastic Tube	1	#10x200L
1-21	225962	Bracket	1	
1-22	242076	Label	1	B300L
1-23	221501	Label	1	Warning
1-24	221502	Label	1	Caution
1-25	227816	Loop Handle Ass'y	1	Incl.26
1-26	215608	Cap Screw	4	M5x30x16
1-27	226300	Safety Cover Ass'y	1	Incl.28-32
1-28	225961	Safety Cover	1	
1-29	231493	String Cutter	1	
1-30	227817	Bolt	2	M5x12
1-31	081027	Nut	2	M5
1-32	212972	String Cutter Cover	1	
1-33	225963	Threaded Bracket	1	
1-34	261612	Cap Screw	2	M5x30

2. B300L
GEARCASE



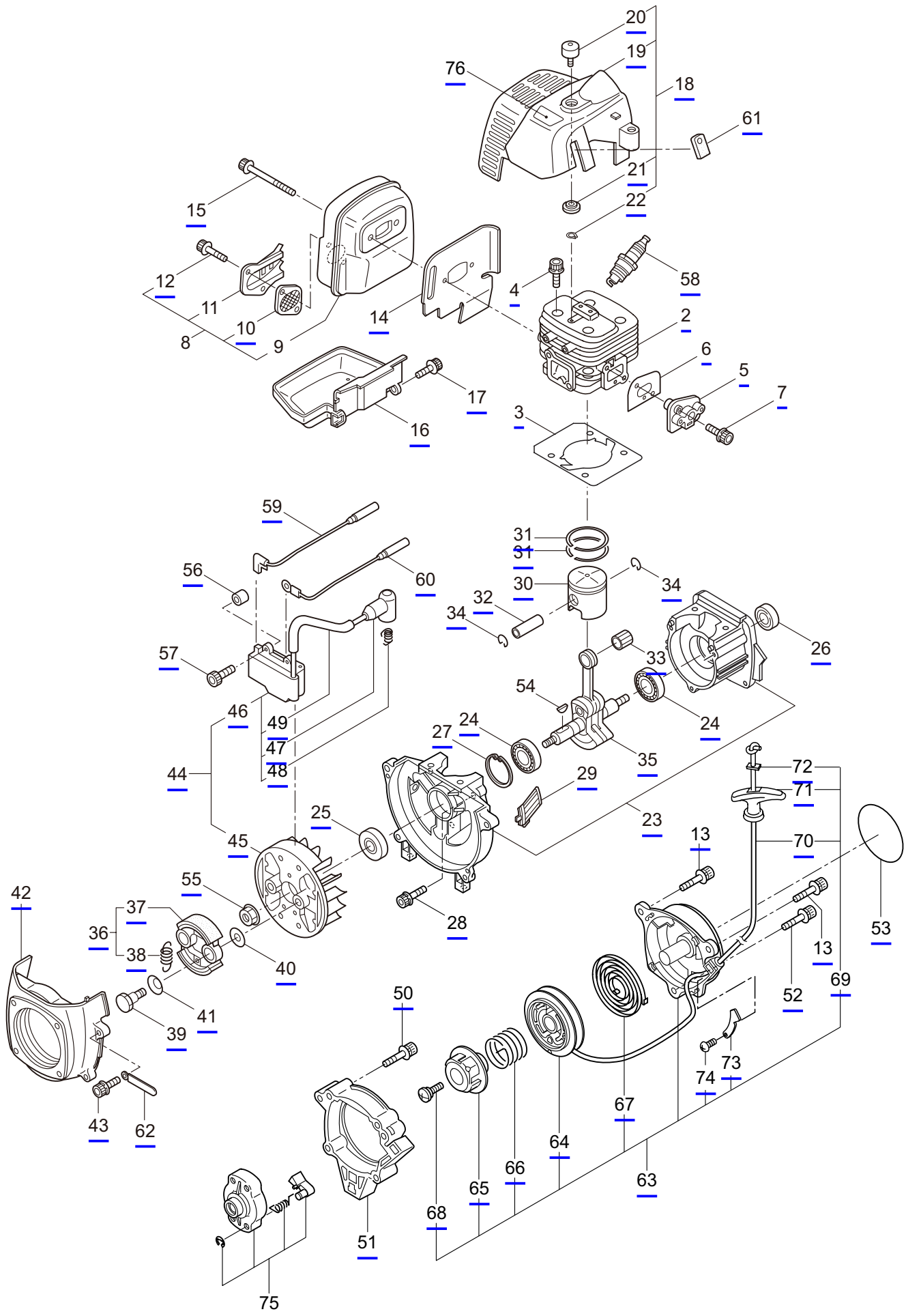
Ref. No.	Part No.	Part Name	Q'ty	Remarks
2-1	225959	Gearcase Ass'y	1	Incl.2-15
2-2	225960	Gearcase	1	
2-3	234109	Bolt	1	M8x8
2-4	261246	Cap Screw	1	M5x25
2-5	210554	Bearing	1	#608
2-6	227106	Gear Set	1	
2-7	215762	Blade Shaft	1	
2-8	212999	Bearing	1	#6001 2RK
2-9	055185	Snap Ring	1	H28
2-10	210560	Bearing	1	#609
2-11	140268	Bearing	1	#609Z
2-12	228477	Snap Ring	1	#9
2-13	140270	Snap Ring	1	#24
2-14	222890	Boss Adapter	1	
2-15	221998	Bolt	1	M8x12,Counterclockwise
2-16	261233	Cap Screw	1	M5x12

3. B300L ENGINE



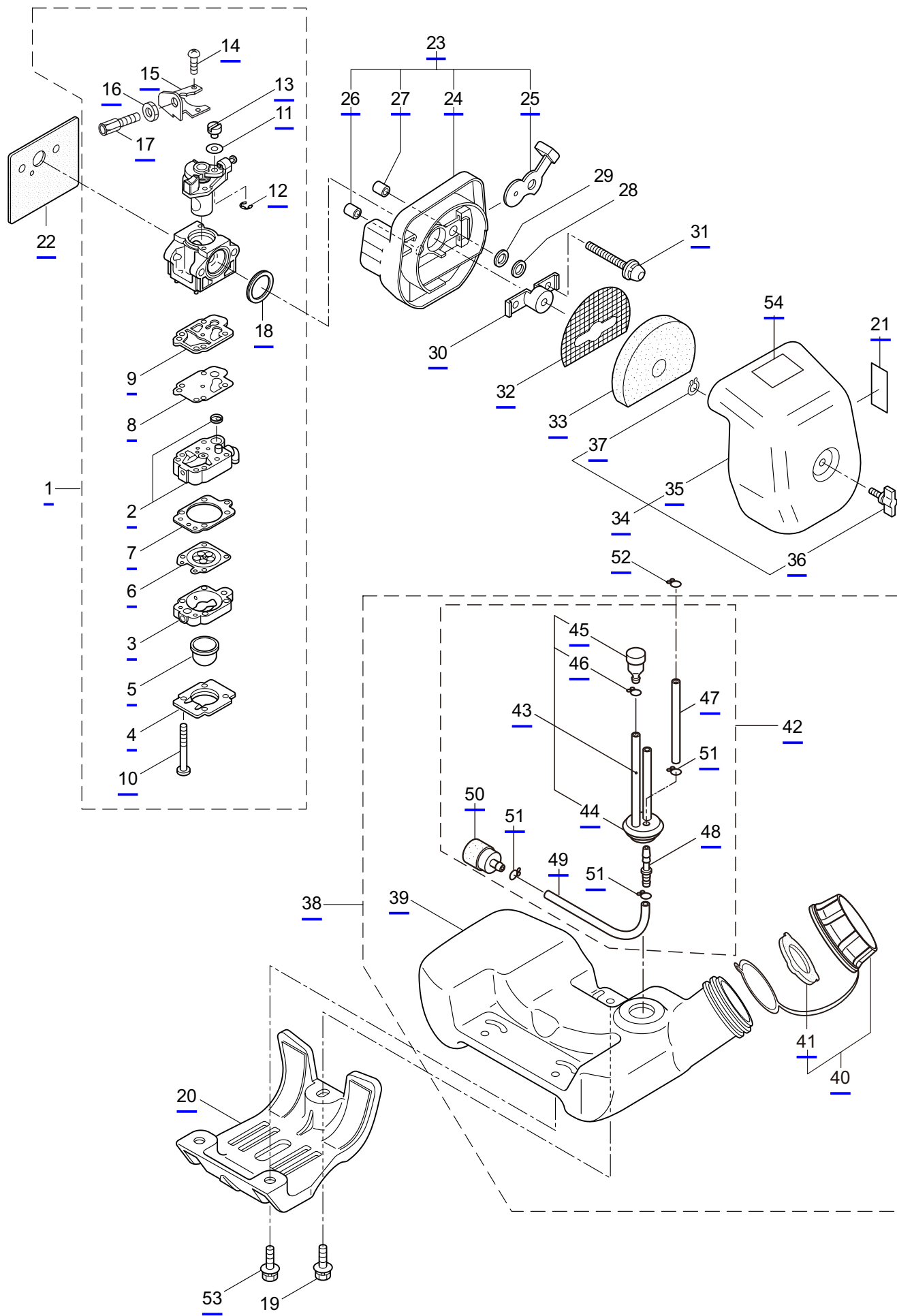
Ref. No.	Part No.	Part Name	Q'ty	Remarks
3-1	875381	Engine	1	CE300/111
3-2	286791	Cylinder	1	
3-3	286846	Gasket	1	
3-4	261250	Cap Screw	4	M5x20
3-5	269144	Insulator	1	New gasket required
3-6	267049	Gasket	1	
3-7	265924	Cap Screw	2	M5x25
3-8	283007	Muffler Ass'y	1	Incl.9-12
3-9	283003	Muffler Comp	1	
3-10	267056	Spark Arrester	1	
3-11	268171	Muffler Tail	1	
3-12	265107	Cap Screw	2	M4x10
3-13	283391	Cap Screw	2	M4x20
3-14	281440	Gasket	1	
3-15	266402	Cap Screw	2	M5x55
3-16	281435	Under Cover	1	
3-17	267191	Cap Screw	1	M5x16
3-18	286707	Top Cover Ass'y	1	Incl.19-22
3-19	281434	Top Cover	1	
3-20	286300	Knob	1	
3-21	261020	Spacer	1	
3-22	261734	Snap Ring	1	#5
3-23	286851	Crankcase	1	
3-24	280488	Bearing	2	PPL 6001
3-25	261492	Oil Seal	1	ISCD12287
3-26	261386	Oil Seal	1	ISCD12227
3-27	055185	Snap Ring	1	H28
3-28	261612	Cap Screw	3	M5x30
3-29	281442	Screen	1	
3-30	283380	Piston	1	
3-31	265067	Piston Ring	2	(2)Required
3-32	265068	Piston Pin	1	
3-33	265225	Bearing,Needle	1	
3-34	261393	Clip,Piston Pin	2	
3-35	265141	Crankshaft/Conn.Rod Ass'y	1	
3-36	267327	Clutch Ass'y	1	Incl.37,38
3-37	267342	Clutch Shoe	2	(2)required
3-38	267345	Spring,Clutch	1	
3-39	264505	Bolt	2	
3-40	261189	Washer	2	6x16.5xt1.2
3-41	261777	Wave Washer	2	
3-42	281433	Fan Cover	1	
3-43	261250	Cap Screw	4	M5x20
3-44	287898	Magneto Ass'y	1	Incl.45-49
3-45	287902	Rotor/Fan	1	

3. B300L ENGINE



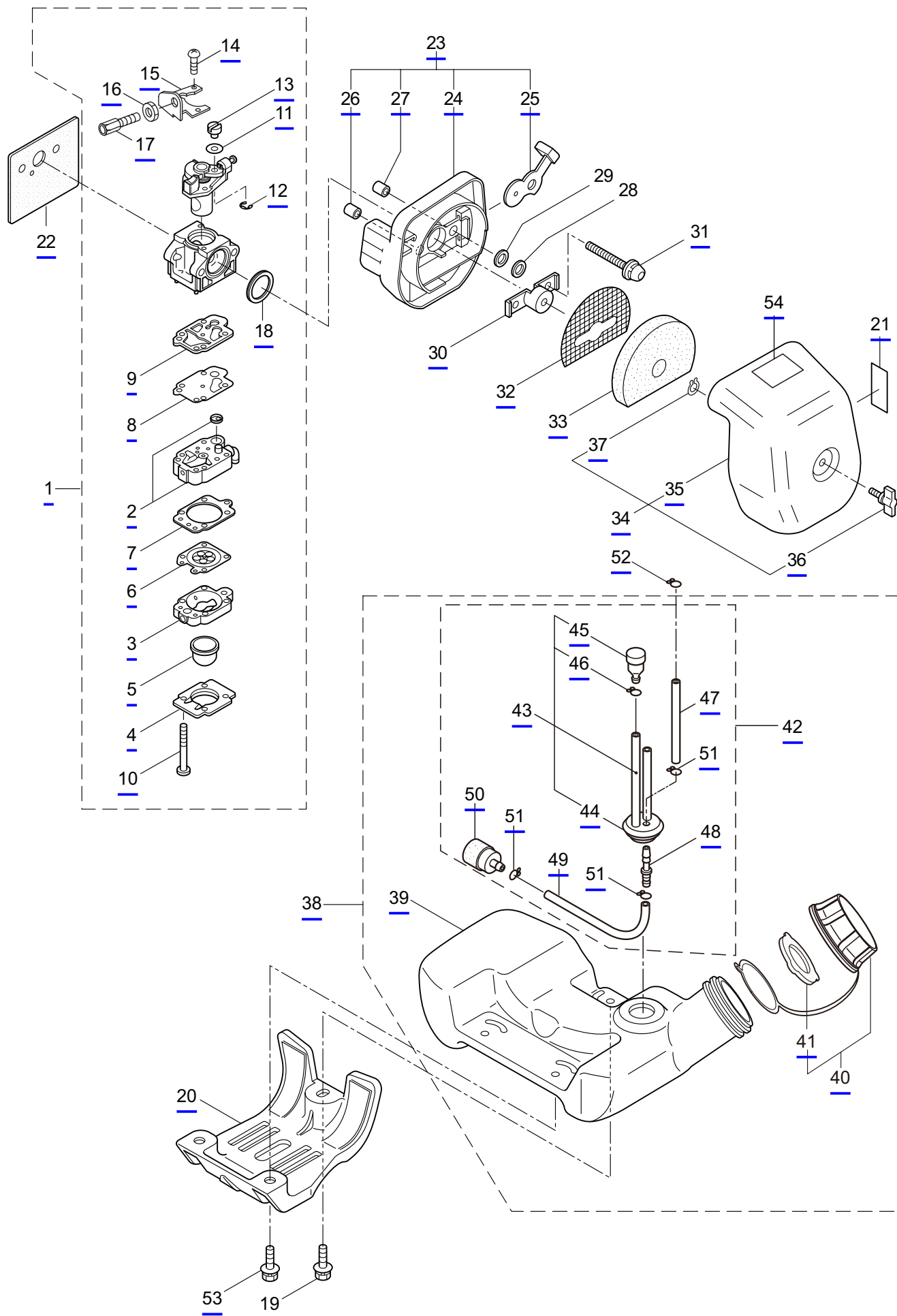
Ref. No.	Part No.	Part Name	Q'ty	Remarks
3-46	281746	Ignition Coil Ass'y	1	Incl.47-49
3-47	269714	Plug Boot	1	
3-48	269715	Connector	1	
3-49	281756	Insulator	1	
3-50	265726	Cap Screw	4	M4x16
3-51	284698	Adapter Ass'y	1	
3-52	282096	Cap Screw	1	M4x16WSW
3-53	246567	Label	1	CER300
3-54	261076	Woodruff Key	1	3x10
3-55	261417	Nut,Rotor	1	M8
3-56	280381	Spacer	2	
3-57	261256	Cap Screw	2	M4x25
3-58	285982	Spark Plug	1	NGK BPM8Y
3-59	269722	Lead	1	
3-60	268044	Lead	1	
3-61	269189	Grommet	1	
3-62	264588	Clamp	1	
3-63	273254	Starter Ass'y	1	Incl.64-74
3-64	283504	Reel	1	
3-65	283505	Cam Plate	1	
3-66	283506	Spring	1	
3-67	261721	Spiral Spring	1	
3-68	267213	Screw	1	
3-69	273261	Rope Ass'y	1	Incl.70-72
3-70	283579	Stater Rope	1	
3-71	287651	Starter Grip	1	
3-72	283511	Rope Stopper	1	
3-73	277328	Cover	1	
3-74	273037	Screw	1	
3-75	283575	Starter Pawl Ass'y	1	
3-76	246779	Label	1	MARUYAMA B300L

4. B300L
 CARBURETOR, FUEL TANK



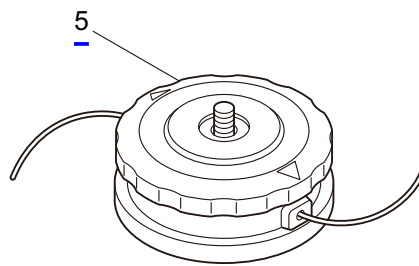
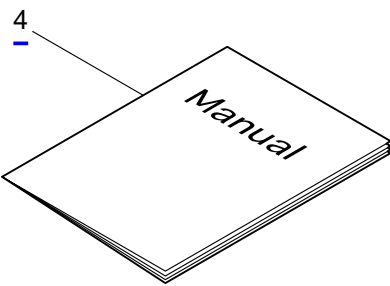
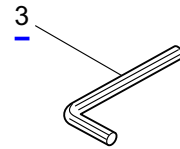
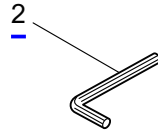
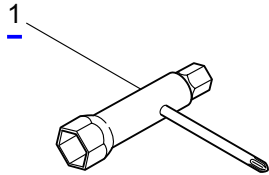
Ref. No.	Part No.	Part Name	Q'ty	Remarks
4-1	282542	Carburetor Ass'y	1	Incl.2-18 New gasket required
4-2	264155	Pump Body	1	
4-3	262991	Purge Body	1	
4-4	262992	Cover Plate	1	
4-5	261874	Primer Bulb	1	
4-6	283905	Diaphragm, Meterring	1	
4-7	262993	Gasket	1	
4-8	262994	Diaphragm,Fuel Pump	1	
4-9	282576	Gasket	1	
4-10	262996	Screw	4	
4-11	264678	Washer	1	
4-12	261876	E-Ring	1	
4-13	261658	Swivel	1	
4-14	261875	Screw	2	
4-15	264677	Bracket	1	
4-16	261878	Nut	1	
4-17	263994	Adapter	1	
4-18	261657	Packing	1	
4-19	281715	Cap Screw	1	M5x20
4-20	281441	Stand	1	
4-21	261352	Label	1	Choke
4-22	269762	Gasket	1	
4-23	268055	Air Filter Case Ass'y	1	Incl.24-27
4-24	268056	Air Filter Case	1	
4-25	268057	Valve	1	
4-26	268157	Sleeve	1	5.5x7.1x6L
4-27	268412	Sleeve	1	5.2x7.1x6.4L
4-28	263345	Packing	1	7.2x11xt1.3
4-29	263942	Washer	1	7.2x12xt0.15
4-30	263815	Stay	1	
4-31	264016	Cap Screw	2	M5x60
4-32	265026	Screen	1	
4-33	265027	Foam Element	1	
4-34	268058	Air Filter Cover Ass'y	1	Incl.35-37
4-35	268059	Air Filter Cover	1	
4-36	281438	Knob	1	
4-37	261734	Snap Ring	1	#5
4-38	246592	Fuel Tank Ass'y	1	Incl.39-51
4-39	284820	Fuel Tank	1	
4-40	289046	Tank Cap Ass'y	1	Incl.41
4-41	287058	Gasket	1	
4-42	289035	Fuel Pipe Pick-up Ass'y	1	Incl.43-51
4-43	289036	Fuel Pipe Ass'y	1	Incl.44-46
4-44	268065	Grommet	1	
4-45	261590	Breather	1	

4. B300L CARBURETOR, FUEL TANK



Ref. No.	Part No.	Part Name	Q'ty	Remarks
4-46	261117	Clip	1	
4-47	289028	Pipe A	1	3x5x53L
4-48	288921	Joint	1	
4-49	289033	Pipe	1	3x5x100L
4-50	277887	Filter Ass'y	1	
4-51	261117	Clip	3	
4-52	261117	Clip	1	
4-53	281714	Cap Screw	2	M5x20
4-54	285188	Label	1	

5. B300L
ACCESSORIES



Ref. No.	Part No.	Part Name	Q'ty	Remarks
5-1	210418	Box Spanner	1	13x19x(+)
5-2	219431	Wrench	1	3mm
5-3	219432	Wrench	1	4mm
5-4	242062	Instruction Manual	1	B230-300L/TURBO
5-5	241308	Semi-Auto Head	1	