

# PARTS LIST

## B420

### CONTENTS

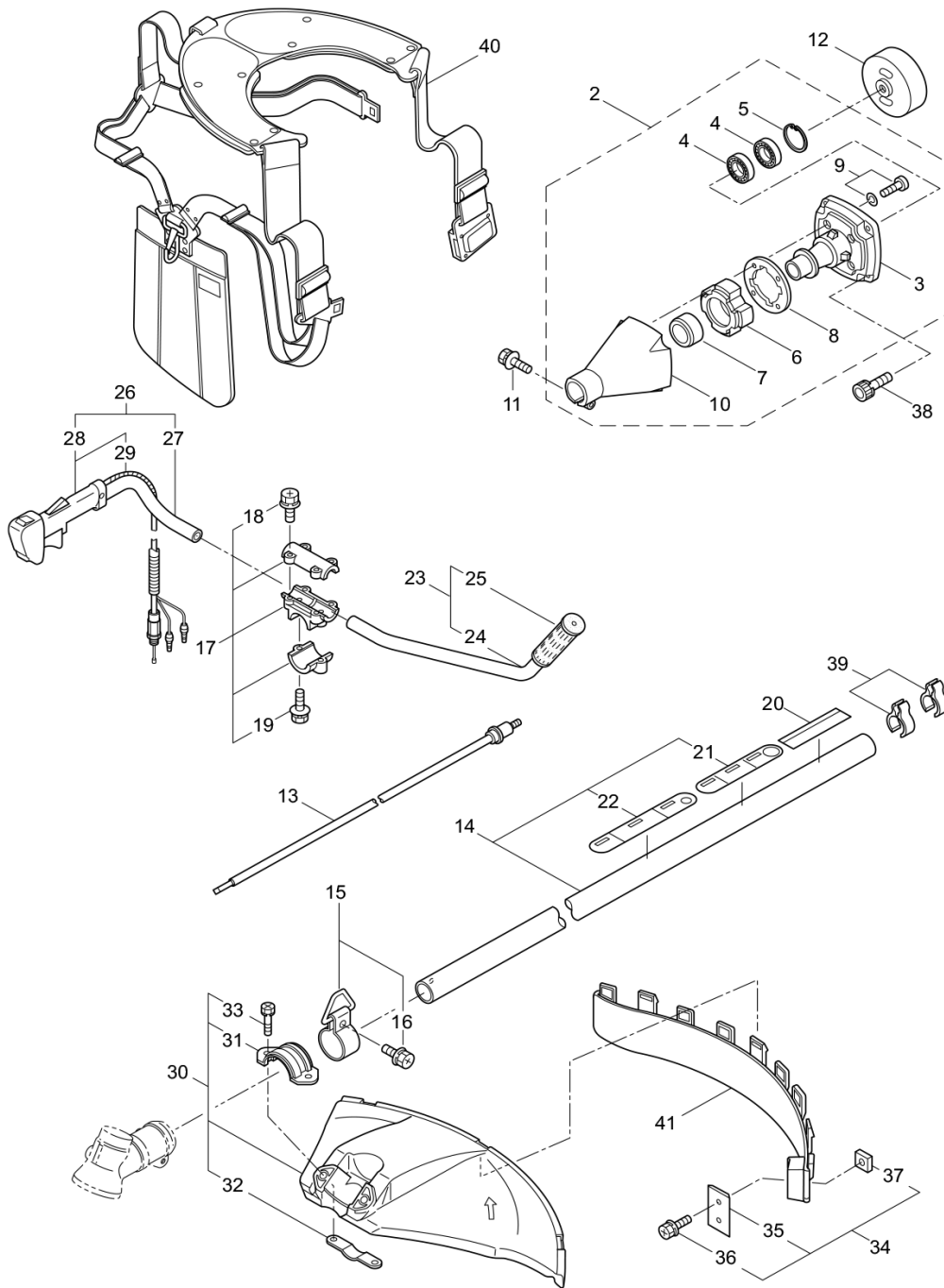
1. MAIN BODY .....	1 ~ 2
2. GEARCASE .....	3 ~ 4
3. ENGINE .....	5 ~ 8
4. CARBURETOR, FUEL TANK .....	9 ~ 12
5. ACCESSORIES .....	13 ~ 14

2019. 12.



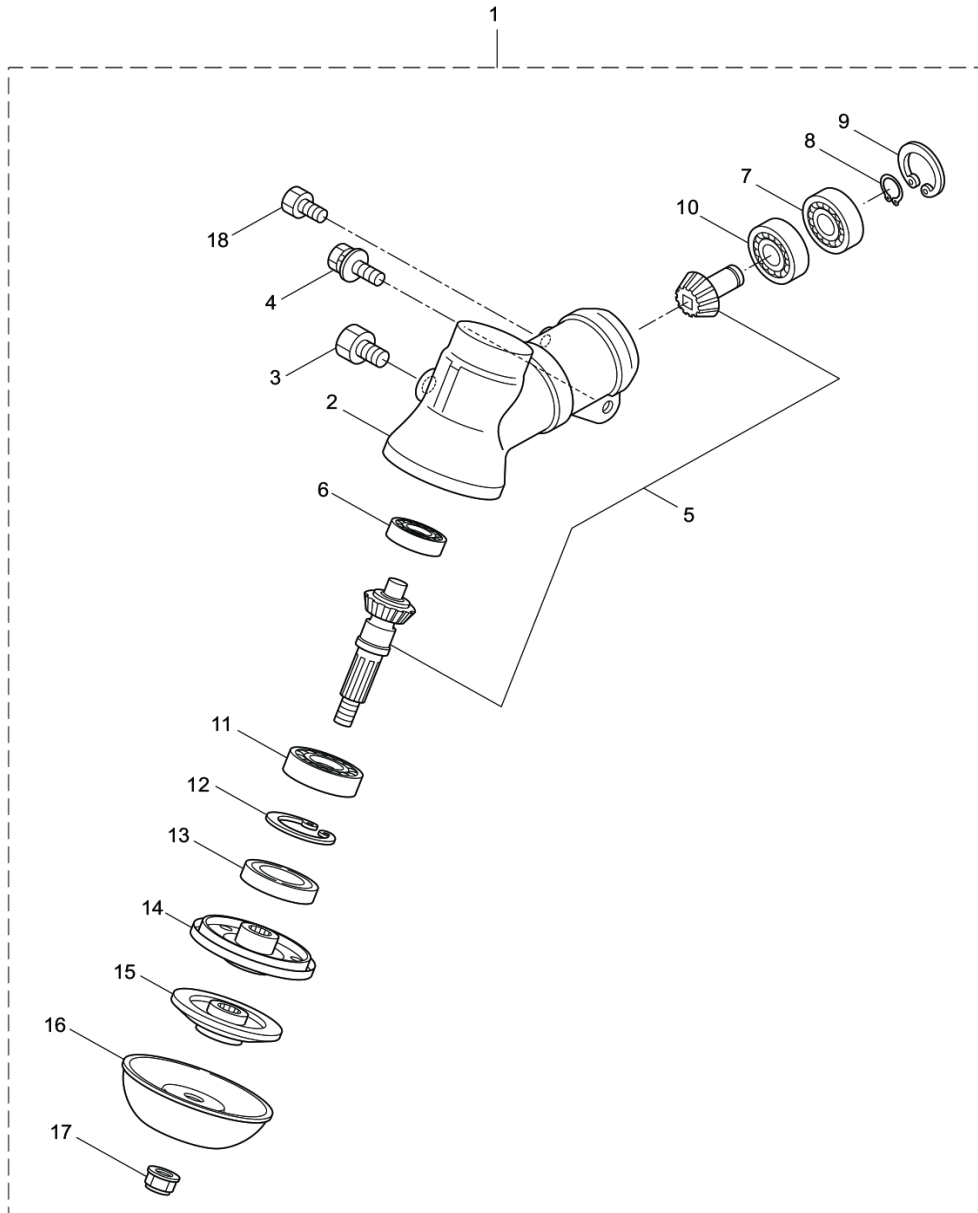
P/N 524917

1. B420  
MAIN BODY



Status	Position	Parts Number	Parts Name	Unit Quantity	Set Unit Quantity	Specification	Remarks	Maker code
	1	<a href="#">364856</a>	<a href="#">B420</a> (MUS)	1				
	2	<a href="#">234162</a>	CLUTCH CASE ASSY	1		<a href="#">B43</a> / B50R (MUS)	Incl.3-10	
	3	<a href="#">234143</a>	CASE BEARING	1				
	Four	<a href="#">140474</a>	BEARING <a href="#">6202 ZZ</a>	2		# <a href="#">6202ZZ</a>	# <a href="#">6202ZZ</a>	
	Five	<a href="#">012380</a>	SNAP RING	1		Anou 35	# 35	
	6	<a href="#">217045</a>	BUFFER	1				
	7	<a href="#">217046</a>	BUFFER	1				
	8	<a href="#">217047</a>	WASHER	1		Mal 74		
	9	<a href="#">092033</a>	SCREW	Four	Ten	M5X15	M5x15	
	Ten	<a href="#">227728</a>	OUTER TUBE ADAPTER	1				
	11	<a href="#">092556</a>	BOLT	1	Five	M6X30 Appetite	M6x30	
	12	<a href="#">211203</a>	CLUTCH DRUM	1		78XM8		
	13	<a href="#">217897</a>	DRIVE SHAFT	1				
	14	<a href="#">220082</a>	DRIVESHAFT TUBE ASSY	1		BC420H (MUS)	Incl.21,22	
	15	<a href="#">217850</a>	HANGING BRACKET ASSY	1		Mal 28	Incl.16	
	16	<a href="#">092548</a>	BOLT	1	Ten	M5X15 Appetite	M5x15	
	17	<a href="#">217638</a>	BRACKET ASSY	1		Mal 28	Incl.18,19	
	18	<a href="#">092554</a>	BOLT	Four	Five	M6X25 Appetite	M6x25	
	19	<a href="#">092556</a>	BOLT	2	Five	M6X30 Appetite	M6x30	
	20	<a href="#">242085</a>		1		<a href="#">B420</a>	<a href="#">B420</a>	
	twenty one	<a href="#">221501</a>	CAUTION MARK	1		ANSI	Warning	
	twenty two	<a href="#">221502</a>	CAUTION MARK	1		ANSI	Caution	
	twenty three	<a href="#">228398</a>	HANDLE A ASSY	1		EO type / aluminum handle	Incl.24,25	
	twenty four	<a href="#">228399</a>	HANDLE	1		(19) XT2.0 EO		
	twenty five	<a href="#">226512</a>	GRIP	1		(19) Cro		
	26	<a href="#">229074</a>	HANDLE B ASSY	1		EO type / aluminum handle	Incl.27-29	
	27	<a href="#">228401</a>	HANDLE	1		(19) Slit / Anatsuki EO		
	28	<a href="#">229005</a>	Throttle Lever Assy ( <a href="#">229005</a> )	1			Incl.29	
	29	<a href="#">229026</a>	WIRE ASSY	1		H200 546 060 02		
	30	<a href="#">228303</a>	COVER ASSY	1		Tevakan Cue CE Aka 42	Incl.31-33	
	31	<a href="#">223179</a>	BRACKET	1				
	32	<a href="#">237364</a>	THREADED BRACKET	1		42		
	33	<a href="#">092555</a>	BOLT	2	Five	M6X30 Appetite	M6x30	
	34	<a href="#">230789</a>	CORD CUTTER ASSY	1		Riva / Frat	Incl.35-37	
	35	<a href="#">230747</a>	CORD CUTTER	1		Riva / Frat		
	36	<a href="#">817002</a>	BOLT	1	Five	M5X20 (SM)	M5x20	
	37	<a href="#">228325</a>	SQUARE NUT	1		M5		
	38	<a href="#">219113</a>	CAP SCREW	Four		M6X20	M6x20	
	39	<a href="#">219161</a>	WIRE GUIDE	2				
×	40	<a href="#">998384</a>	USE P / N <a href="#">228086</a>	1				746-37100-900
	41	<a href="#">230748</a>	EXTENSION	1		One Tachiaka / Ribunashi		

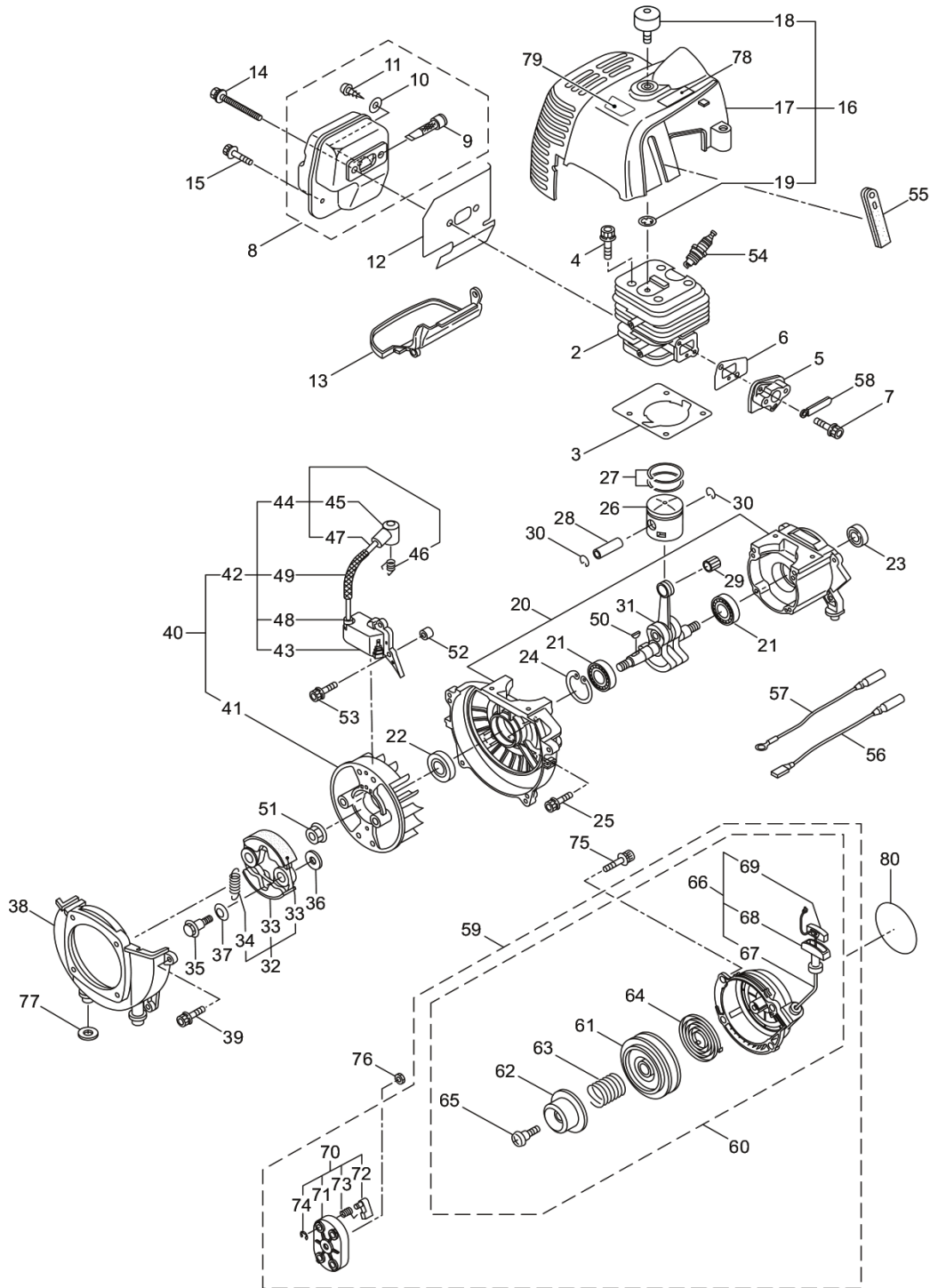
2. B420  
GEARCASE



Status	Position	Parts Number	Parts Name	Unit Quantity	Set Unit Quantity	Specification	Remarks	Maker code
--------	----------	--------------	------------	---------------	-------------------	---------------	---------	------------

Status	Position	Parts Number	Parts Name	Unit Quantity	Set Unit Quantity	Specification	Remarks	Maker code
	1	<a href="#">232919</a>	GEAR CASE ASSY	1		M10 One / 6 Kakubolt	Incl.2-18	
	2	<a href="#">232833</a>	GEAR CASE	1		Kyoukagata / 28		
	3	<a href="#">234109</a>	BOLT	1	Five	M8X8	M8x8	
	Four	<a href="#">092556</a>	BOLT	1	Five	M6X30 Appetite	M6x30	
	Five	<a href="#">234349</a>	GEAR SET	1		55 ° / B 6.1 14:19		
	6	<a href="#">014490</a>	BEARING <a href="#">6000</a>	1		# <a href="#">6000</a>	# <a href="#">6000</a>	
	7	<a href="#">106933</a>	BEARING <a href="#">6000Z</a>	1		# <a href="#">6000Z</a>	# <a href="#">6000Z</a>	
	8	<a href="#">014210</a>	SNAP RING	1	Five	Jiku 10	#Ten	
	9	<a href="#">054676</a>	RING SNAP	1	Five	Anou 26	# 26	
	Ten	<a href="#">014490</a>	BEARING <a href="#">6000</a>	1		# <a href="#">6000</a>	# <a href="#">6000</a>	
	11	<a href="#">012544</a>	BEARING	1		# <a href="#">6202</a>	# <a href="#">6202</a>	
	12	<a href="#">012380</a>	SNAP RING	1		Anou 35	# 35	
	13	<a href="#">232049</a>	OIL SEAL	1		D21355	D21355	
	14	<a href="#">232322</a>	BRACKET A	1				
	15	<a href="#">232052</a>	BRACKET B	1				
	16	<a href="#">230849</a>	NUT COVER	1		T1.5		
	17	<a href="#">232920</a>	NUT	1		M10X1.25	M10x1.25	
	18	<a href="#">089747</a>	BOLT	1	Ten	M6X12	M6x12	

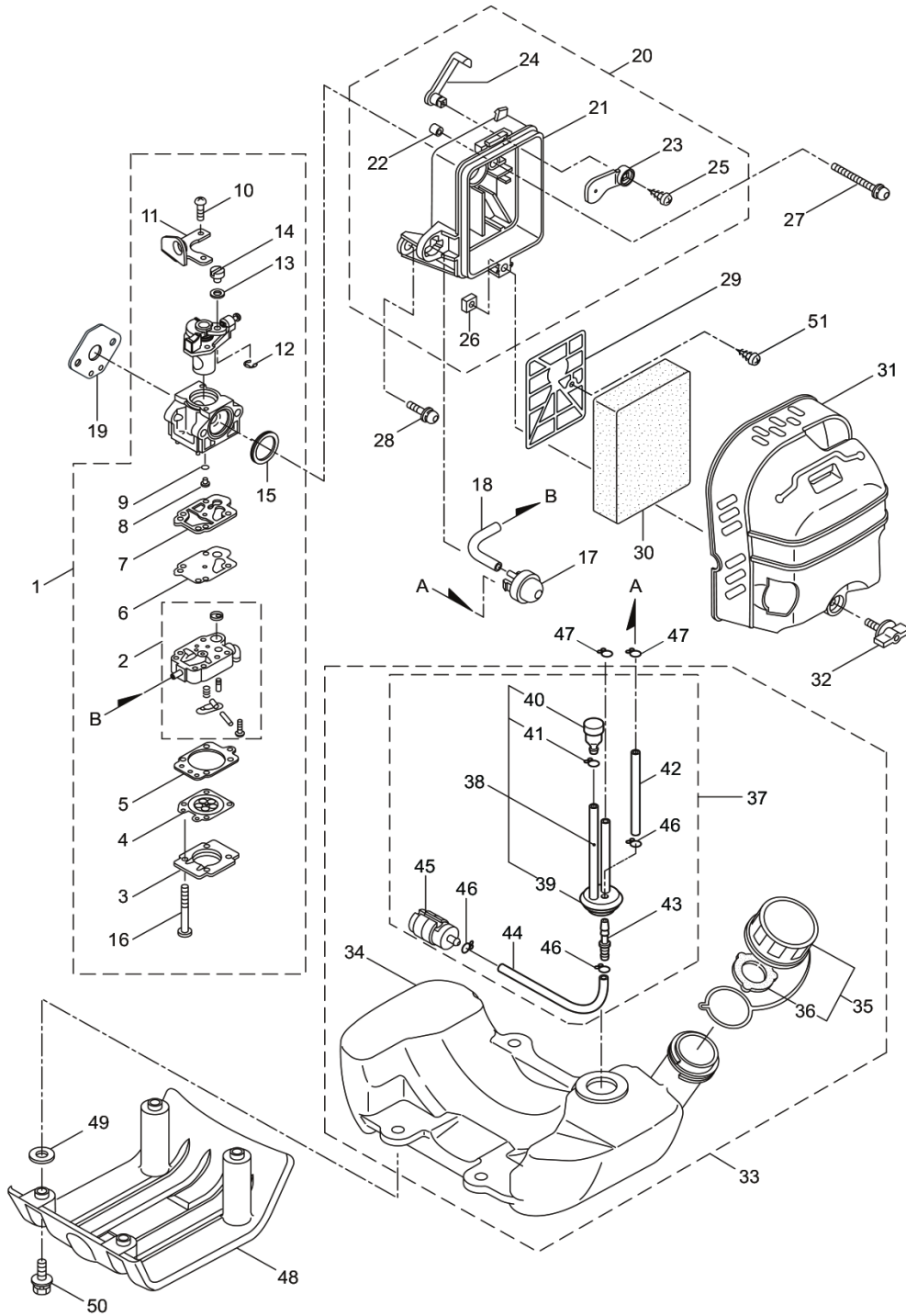
### 3. B420 ENGINE



Status	Position	Parts Number	Parts Name	Unit Quantity	Set Unit Quantity	Specification	Remarks	Maker code
	1	875356		1			CE420/32	
	2	<a href="#">279099</a>	CYLINDER COMP.	1		CE420		
	3	<a href="#">279101</a>	GASKET	1				
	4	<a href="#">261246</a>	CAP SCREW	4	5	M5X25	M5x25	
	5	<a href="#">285778</a>	INSURATOR	1			New gasket required	
	6	<a href="#">285779</a>	GASKET	1				
	7	<a href="#">265924</a>	CAP SCREW	2	5	M5X25WSW+オ	M5x25	
	8	<a href="#">286788</a>	MUFFLER COMPLETE	1		カンイアレスタ	Incl.9-11	
	9	<a href="#">262395</a>	ARRESTER	1				
	10	<a href="#">284052</a>	WASHER	1		M3コカ' タマル	M3	
	11	<a href="#">089530</a>	SCREW	1		ナベ' 1ｼｺ M3X10	M3x10	
	12	<a href="#">285783</a>	GASKET	1				
	13	<a href="#">285784</a>	UNDER COVER	1		ｸﾞｯ		
	14	<a href="#">266713</a>	CAP SCREW	2		M5X60ﾌﾗﾝｼﾞ	M5x60	
	15	<a href="#">283315</a>	CAP SCREW	1		M5X12W-12	M5x12W-12	
	16	<a href="#">286891</a>	TOP COVER	1			Incl.17-19	
	17	<a href="#">285786</a>	TOP COVER	1		ｱｶ		
	18	<a href="#">285843</a>	KNOB BOLT	1				
	19	<a href="#">286362</a>	WASHER	1	5	M6	M6	
	20	<a href="#">288200</a>	CRANKCASE	1				
	21	<a href="#">262658</a>	BEARING 6202 C3	2		6202C3**	#6202C3	
	22	<a href="#">262660</a>	OIL SEAL	1		AE0610-E0 (NOK)	TC15357	
	23	<a href="#">262565</a>	OIL SEAL	1		ISCD15257	ISCD15257	
	24	<a href="#">012380</a>	SNAP RING	1		ｱﾅﾖｸ35	#35	
	25	<a href="#">261612</a>	CAP SCREW	4		M5X30	M5x30	
	26	<a href="#">285795</a>	PISTON	1		CE420		
	27	<a href="#">262476</a>	PISTON RING	2			(2)Required	
	28	<a href="#">262749</a>	PISTON PIN	1		7.5X11X33.5		
	29	<a href="#">262659</a>	NEEDLE BEARING KTV111414EGX01B	1		KTV111414EG01B2	KTV111414EG01B2	
	30	<a href="#">262479</a>	CLIP PISTON	2				
	31	<a href="#">285797</a>	SHAFT COMPLETE	1		CE420		
	32	<a href="#">262577</a>	CLUTCH ASSY	1		78ﾖｸｸﾗｯﾁ	Incl.33,34	
	33	<a href="#">282624</a>	CLUTCHSHOE	2			(2)required	
	34	<a href="#">263615</a>	SPRING	1		2.0-44.8L		
	35	<a href="#">283671</a>	CLUTCH BOLT	2		M8X1.25 ﾏｯｸ	M8x1.25	
	36	<a href="#">262683</a>	WASHER	2	5	8X22XT1.2	8x22xt1.2	
	37	<a href="#">262682</a>	WAVE WASHER	2	5			
	38	<a href="#">282285</a>	FAN COVER	1		NE420		
	39	<a href="#">261250</a>	CAP SCREW	4	5	M5X20	M5x20	
	40	<a href="#">285803</a>	MAGNETO ASSY	1			Incl.41-49	
	41	<a href="#">286207</a>	ROTOR	1				
	42	<a href="#">285804</a>	IGNITION COIL	1		CDI	Incl.43-49	
	43	<a href="#">285805</a>	COIL	1				
	44	<a href="#">285806</a>	WIRE ASSY	1			Incl.45-47	
	45	<a href="#">261074</a>	PLUG BOOT	1		10855-40131		
	46	<a href="#">261075</a>	CONNECTOR	1		10805-40061		
	47	<a href="#">286273</a>	SPARK PLUG WIRE	1				
	48	<a href="#">261072</a>	CAP	1		ｲｸﾀ' 10855-40101		
	49	<a href="#">284759</a>	INSULATOR	1				
	50	<a href="#">261076</a>	WOODRUFF KEY 3X10	1	5	Aｼｺ 3X10	3x10	
	51	<a href="#">262731</a>	NUT	1		M10X17XT8ﾌﾞ721	M10	
	52	<a href="#">280381</a>	SPACER	2	5			
	53	<a href="#">261256</a>	BOLT	2	5	M4X25	M4x25	
	54	<a href="#">285982</a>	SPARK PLUG(BPM8Y)	1		NGK BPM8Y	NGK BPM8Y	
	55	<a href="#">286988</a>	GROMMET	1				
	56	<a href="#">283735</a>	WIRE COIL	1		155ﾋﾞ7HCBH		
	57	<a href="#">284541</a>	LEAD	1		135M4HCBH		
	58	<a href="#">264588</a>	CLAMP	1	5			
	59	<a href="#">285809</a>	RECOIL STARTER ASSY	1			Incl.60-74	
	60	<a href="#">285810</a>	RECOIL STARTER ASSY	1		CE420ﾌﾞﾝﾊﾞ -	Incl.61-69	
	61	<a href="#">286291</a>	REEL	1		A54108100500		
	62	<a href="#">286292</a>	CAM PLATE	1		A54308110100		

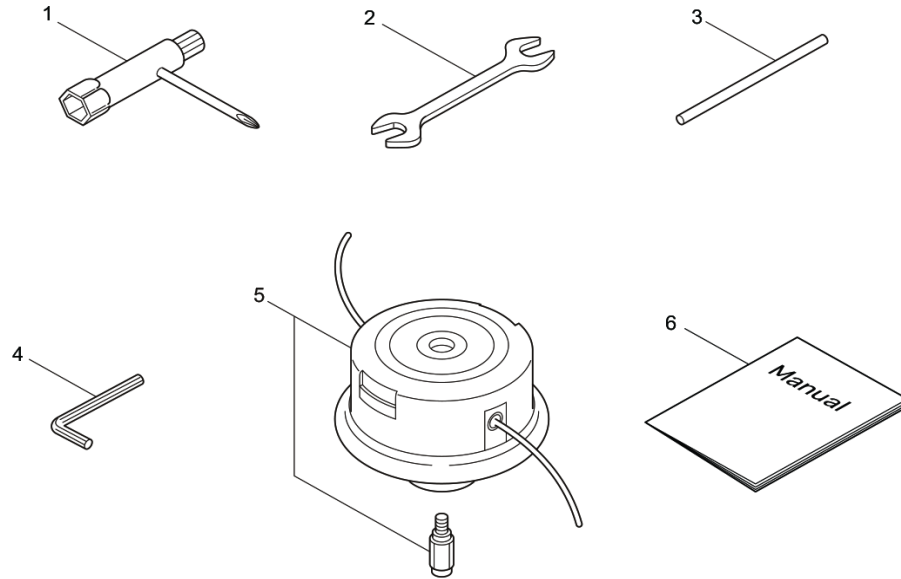
Status	Position	Parts Number	Parts Name	Unit Quantity	Set Unit Quantity	Specification	Remarks	Maker code
	63	<a href="#">286293</a>	CAMPER SPRING	1		A52408110000		
	64	<a href="#">280995</a>	SPIRAL SPRING	1				
	65	<a href="#">286295</a>	SET SCREW	1		A607116A0010		
	66	<a href="#">286296</a>	STARTER ROPE ASSY	1		A201267R0300	Incl.67-69	
	67	<a href="#">286297</a>	STARTER ROPE	1		3.8X1000	3.8x1000	
	68	<a href="#">262633</a>	STARTER KNOB	1		クワ		
	69	<a href="#">262981</a>	CAP	1		クワ		
	70	<a href="#">285679</a>	STARTER PULLEY ASSY	1			Incl.71-74	
	71	<a href="#">285680</a>	STARTER PULLEY	1				
	72	<a href="#">285681</a>	RATCHET	2				
	73	<a href="#">285682</a>	RETURN SPRING	2				
	74	<a href="#">262638</a>	E-RING	2				
	75	<a href="#">268940</a>	SCREW	4		M5X18WSW-12	M5x18	
	76	<a href="#">285736</a>	NUT	1		M8 6かX4	M8	
	77	<a href="#">285735</a>	RUBBER PACKING	4	5	17X8X2		
	78	<a href="#">287272</a>	LABEL	1		スパークアレスタイコク		
	79	246573		1		MARUYAMA <a href="#">B420</a>	MARUYAMA <a href="#">B420</a>	
	80	246572		1		66 <a href="#">CER420</a>	<a href="#">CER420</a>	

4. B420  
CARBURETOR, FUEL TANK



Status	Position	Parts Number	Parts Name	Unit Quantity	Set Unit Quantity	Specification	Remarks	Maker code
	1	<a href="#">287021</a>	CARBURETOR ASSY	1		WYK-365	Incl.2-16 New gasket required	
	2	<a href="#">283124</a>	CARBURETOR BODY	1		WB5-7437		
	3	<a href="#">263726</a>	COVER PLATE	1		WB21-158		
	4	<a href="#">283905</a>	DIAPHRAGM METERRING	1		WB95-614		
	5	<a href="#">263727</a>	GASKET	1		WB92-192		
	6	<a href="#">262994</a>	DIAPHRAGM	1		WB95-99		
	7	<a href="#">282576</a>	GASKET	1		WB92-415		
	8	<a href="#">287061</a>	JET	1		#48		
	9	<a href="#">261871</a>	O-RING	1		WB16-104		
	10	<a href="#">261875</a>	SCREW	2		WB96-323		
	11	<a href="#">264677</a>	BRACKET	1		WB167-143		
	12	<a href="#">261876</a>	RING	1		WB16-71		
	13	<a href="#">264678</a>	WASHER	1	5	WB136-221		
	14	<a href="#">261658</a>	SWIVEL	1		WB52-34		
	15	<a href="#">261657</a>	PACKING	1		WB16-171		
	16	<a href="#">263737</a>	SCREW	4		WB96-325		
	17	<a href="#">282299</a>	PRIMER	1				
	18	<a href="#">282512</a>	PIPE	1				
	19	<a href="#">282301</a>	GASKET	1				
	20	<a href="#">282302</a>	HOUSING ASSY	1			Incl.21-26	
	21	<a href="#">282303</a>	HOUSING BODY	1				
	22	<a href="#">282484</a>	SLEEVE	3				
	23	<a href="#">282304</a>	MACHINED DISC	1				
	24	<a href="#">282305</a>	LEVER	1				
	25	<a href="#">269032</a>	SCREW	1	5	タツビ ンネジ 3.5X8		
	26	<a href="#">269423</a>	NUT	1	5	シカナツトM5		
	27	<a href="#">261814</a>	CAP SCREW	2	5	M5X50WSWホ <sup>+</sup>	M5x50	
	28	<a href="#">264807</a>	CAP SCREW	1	5	M5X16WSWホ <sup>+</sup>	M5x16	
	29	<a href="#">282481</a>	PLATE	1				
	30	<a href="#">282306</a>	ELEMENT	1				
	31	<a href="#">285814</a>	CLEANER COVER	1		ク		
	32	<a href="#">279350</a>	KNOB	1				
	33	<a href="#">289040</a>	FUEL TANK ASSY	1		A46B88C180D97	Incl.34-46	
	34	<a href="#">285817</a>	FUEL TANK	1		CE420 タワ		
	35	<a href="#">289046</a>	TANK CAP ASSY	1			Incl.36	
	36	<a href="#">287058</a>	GASKET	1				
	37	<a href="#">289041</a>	FUEL PIPE PICK-UP ASSY	1			Incl.38-46	
	38	<a href="#">289042</a>	FUEL PIPE ASSY	1			Incl.39-41	
	39	<a href="#">268065</a>	GROMMET	1		37ナ		
	40	<a href="#">261590</a>	BREATHER SUB ASSY	1				
	41	<a href="#">261117</a>	CLIP	1				
	42	<a href="#">289028</a>	PIPE A	1		3X5X53L	3x5x53L	
	43	<a href="#">288921</a>	JOINT	1				
	44	<a href="#">289029</a>	PIPE	1		3X5X125L	3x5x125L	
	45	<a href="#">267328</a>	FUEL FILTER ASSY	1		<a href="#">125-532</a>		
	46	<a href="#">261117</a>	CLIP	3				
	47	<a href="#">261117</a>	CLIP	2				
	48	<a href="#">285819</a>	STAND	1		ク		
	49	<a href="#">285735</a>	RUBBER PACKING	4	5	17X8X2		
	50	<a href="#">281714</a>	CAP SCREW	4		M5X20WSW-12	M5x20	
	51	<a href="#">269032</a>	SCREW	1	5	タツビ ンネジ 3.5X8		

5. B420  
ACCESSORIES



Status	Position	Parts Number	Parts Name	Unit Quantity	Set Unit Quantity	Specification	Remarks	Maker code
				1				

Status	Position	Parts Number	Parts Name	Unit Quantity	Set Unit Quantity	Specification	Remarks	Maker code
	1	228008	BOX SPANNER	1		17X19X (+) driver	17x19x (+)	
	2	<a href="#">054756</a>	DOUBLE ENDED SPANNER	1		10X13	10x13	
	3	<a href="#">212300</a>	LEVER HANDLE	1		6X100L	6x100L	
	4	<a href="#">219433</a>	WRENCH	1		ニモンバノ 5 ユニクロ	5mm	
	5	<a href="#">840337</a>	NYLON HEAD 4 INCH	1		ホリフ クロイリ/アカ		
	6	242086		1		B420/B420L	B420/B420L	