

PARTS LIST

B420L

CONTENTS

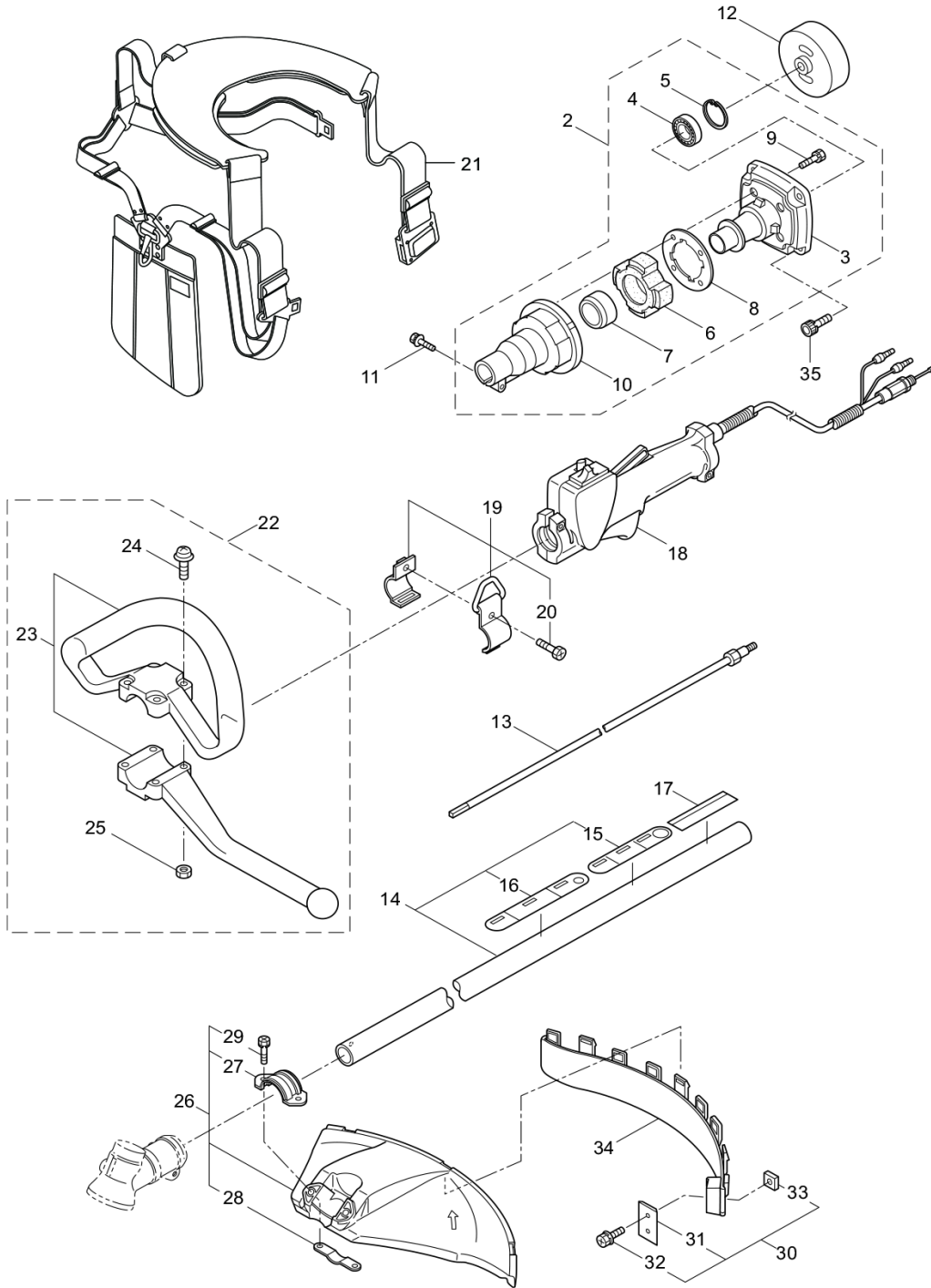
1. MAIN BODY	1 ~ 2
2. GEARCASE	3 ~ 4
3. ENGINE	5 ~ 8
4. CARBURETOR, FUEL TANK	9 ~ 12
5. ACCESSORIES	13 ~ 14

2019. 12.



P/N 524918

1. B420L
MAIN BODY

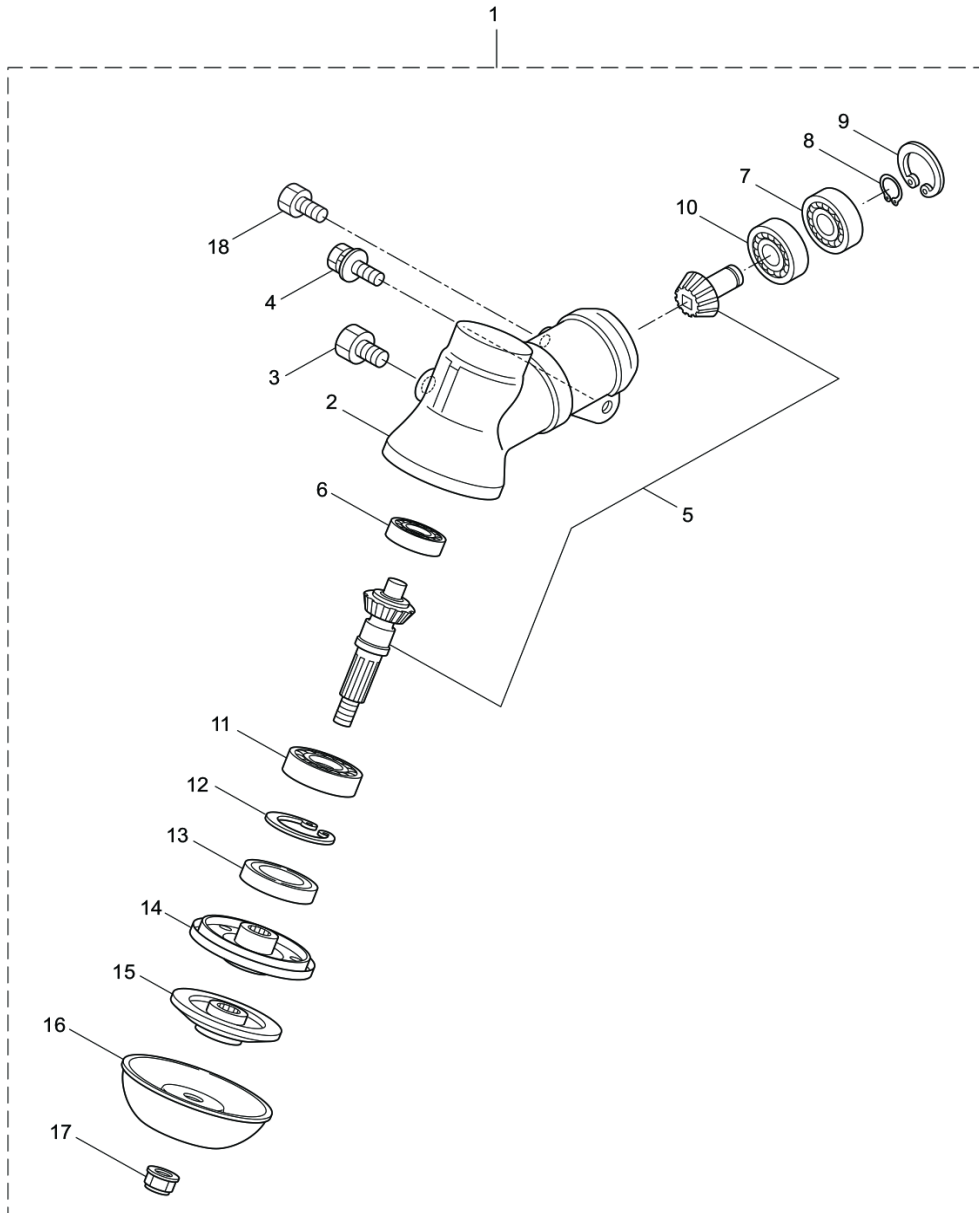


- 1 -

Status	Position	Parts Number	Parts Name	Unit Quantity	Set Unit Quantity	Specification	Remarks	Maker code
				1				

Status	Position	Parts Number	Parts Name	Unit Quantity	Set Unit Quantity	Specification	Remarks	Maker code
	1	364857	B420L(MUS)	1				
	2	222543	CLUTCH CASE ASSY	1			Incl.3-10	
	3	222544	HOUSING	1		78 #6201ZZ 1口		
	4	012649	BEARING 6201ZZ	1		#6201ZZ	#6201ZZ	
	5	016732	SNAP RING	1	5	アナヨウ32	#32	
	6	217045	BUFFER	1				
	7	217046	BUFFER	1				
	8	217047	WASHER	1		ワッ74		
	9	092033	SCREW	4	10	M5X15	M5x15	
	10	222370	ADAPTOR	1		26.2		
	11	092556	BOLT	1	5	M6X30 ア7 セット	M6x30	
	12	222546	CLUTCH DRUM ASSY	1		78XM8		
	13	222522	DRIVE SHAFT ASSY	1				
	14	242652		1			Incl.15,16	
	15	221501	CAUTION MARK	1		ANSI	Warning	
	16	221502	CAUTION MARK	1		ANSI	Caution	
	17	242089		1		B420L	B420L	
	18	229002	Throttle Lever Assy (229002)	1				
	19	210449	HANGING BRACKET ASSY	1		(26)	Incl.20	
	20	089738	BOLT	1	10	M5X15	M5x15	
	21	234345	NEW LARK HARNESS(L)	1		228086 / Lタイプ		
	22	226461	LOOP HANDLE ASSY	1		タイセイ 26 ハ リアツキ	Incl.23-25	
	23	226462	LOOP HANDLE	1		タイセイ 26 ハ リアツキ		
	24	222142	SCREW	4	10	M5X28(MK)	M5x28	
	25	081027	NUT	4	5	M5X0.8 1シユ	M5	
	26	228303	COVER ASSY	1		テツハ ケンヨウ CEアカ42	Incl.27-29	
	27	223179	BRACKET	1				
	28	237364	THREADED BRACKET	1		42 ヨウ		
	29	092555	BOLT	2	5	M6X30 ア7 セット	M6x30	
	30	230789	CORD CUTTER ASSY	1		リヨウハ フラット	Incl.31-33	
	31	230747	CORD CUTTER	1		リヨウハ フラット		
	32	817002	BOLT	1	5	M5X20(SM)	M5x20	
	33	228325	SQUARE NUT	1		M5		
	34	230748	EXTENSION	1		ワシタツチ アカ/リア ナシ		
	35	219113	CAP SCREW	4		M6X20	M6x20	

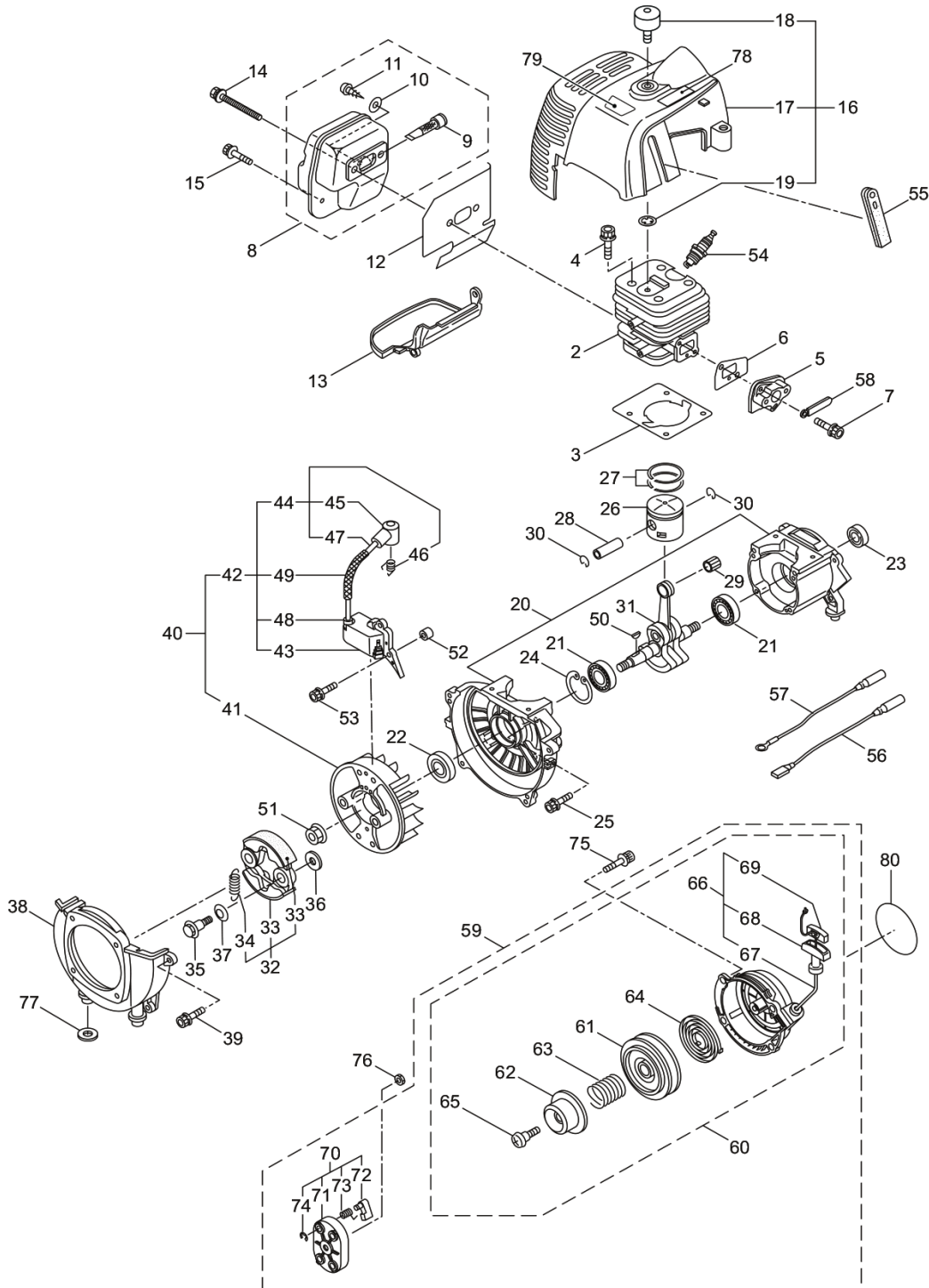
2. B420L
GEARCASE



Status	Position	Parts Number	Parts Name	Unit Quantity	Set Unit Quantity	Specification	Remarks	Maker code
--------	----------	--------------	------------	---------------	-------------------	---------------	---------	------------

Status	Position	Parts Number	Parts Name	Unit Quantity	Set Unit Quantity	Specification	Remarks	Maker code
	1	234678	GEAR CASE ASSY	1		M10オネジ /6カボルト	Incl.2-18	
	2	232850	GERA CASE	1		キヨウカク 2/26		
	3	234109	BOLT	1	5	M8X8	M8x8	
	4	092556	BOLT	1	5	M6X30 アブ セット	M6x30	
	5	234349	GEAR SET	1		55°/φ6.1 14:19		
	6	014490	BEARING 6000	1		#6000	#6000	
	7	106933	BEARING 6000Z	1		#6000Z	#6000Z	
	8	014210	SNAP RING	1	5	ジクヨウ10	#10	
	9	054676	RING SNAP	1	5	アチヨウ26	#26	
	10	014490	BEARING 6000	1		#6000	#6000	
	11	012544	BEARING	1		#6202	#6202	
	12	012380	SNAP RING	1		アチヨウ35	#35	
	13	232049	OIL SEAL	1		D21355	D21355	
	14	232322	BRACKET A	1				
	15	232052	BRACKET B	1				
	16	230849	NUT COVER	1		T1.5		
	17	232920	NUT	1		M10X1.25 ヒダリ	M10x1.25	
	18	089747	BOLT	1	10	M6X12	M6x12	

3. B420L ENGINE

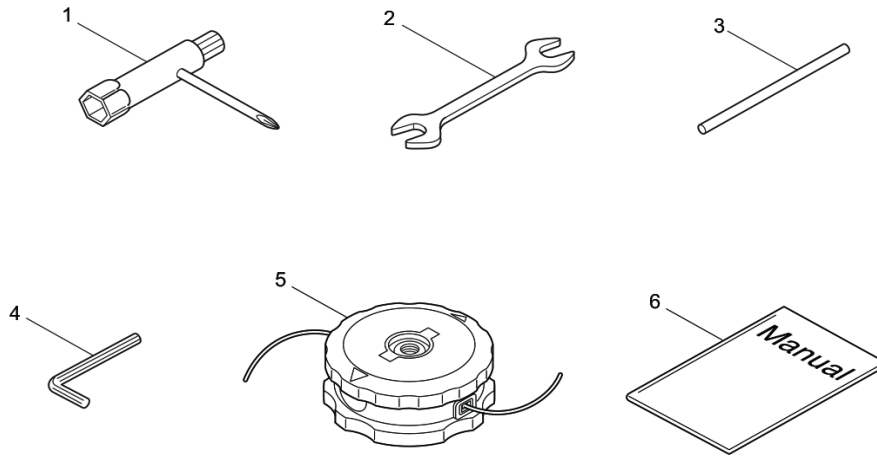


Status	Position	Parts Number	Parts Name	Unit Quantity	Set Unit Quantity	Specification	Remarks	Maker code
	1	875357		1			CE420/33	
	2	279099	CYLINDER COMP.	1		CE420		
	3	279101	GASKET	1				
	4	261246	CAP SCREW	4	5	M5X25	M5x25	
	5	285778	INSURATOR	1			New gasket required	
	6	285779	GASKET	1				
	7	265924	CAP SCREW	2	5	M5X25WSW+オ	M5x25	
	8	286788	MUFFLER COMPLETE	1		カンイアレスタ	Incl.9-11	
	9	262395	ARRESTER	1				
	10	284052	WASHER	1		M3コカ' タマル	M3	
	11	089530	SCREW	1		ナベ' シヨ M3X10	M3x10	
	12	285783	GASKET	1				
	13	285784	UNDER COVER	1		クワ		
	14	266713	CAP SCREW	2		M5X60フレンジ	M5x60	
	15	283315	CAP SCREW	1		M5X12W-12	M5x12W-12	
	16	286891	TOP COVER	1			Incl.17-19	
	17	285786	TOP COVER	1		アカ		
	18	285843	KNOB BOLT	1				
	19	286362	WASHER	1	5	M6	M6	
	20	288200	CRANKCASE	1				
	21	262658	BEARING 6202 C3	2		6202C3**	#6202C3	
	22	262660	OIL SEAL	1		AE0610-E0 (NOK)	TC15357	
	23	262565	OIL SEAL	1		ISCD15257	ISCD15257	
	24	012380	SNAP RING	1		アヲヨウ35	#35	
	25	261612	CAP SCREW	4		M5X30	M5x30	
	26	285795	PISTON	1		CE420		
	27	262476	PISTON RING	2			(2)Required	
	28	262749	PISTON PIN	1		7.5X11X33.5		
	29	262659	NEEDLE BEARING KTV111414EGX01B	1		KTV111414EG01B2	KTV111414EG01B2	
	30	262479	CLIP PISTON	2				
	31	285797	SHAFT COMPLETE	1		CE420		
	32	262577	CLUTCH ASSY	1		78ヨウクワツチ	Incl.33,34	
	33	282624	CLUTCHSHOE	2			(2)required	
	34	263615	SPRING	1		2.0-44.8L		
	35	283671	CLUTCH BOLT	2		M8X1.25 ムツク	M8x1.25	
	36	262683	WASHER	2	5	8X22XT1.2	8x22xt1.2	
	37	262682	WAVE WASHER	2	5			
	38	282285	FAN COVER	1		NE420		
	39	261250	CAP SCREW	4	5	M5X20	M5x20	
	40	285803	MAGNETO ASSY	1			Incl.41-49	
	41	286207	ROTOR	1				
	42	285804	IGNITION COIL	1		CDI	Incl.43-49	
	43	285805	COIL	1				
	44	285806	WIRE ASSY	1			Incl.45-47	
	45	261074	PLUG BOOT	1		10855-40131		
	46	261075	CONNECTOR	1		10805-40061		
	47	286273	SPARK PLUG WIRE	1				
	48	261072	CAP	1		イタ' 10855-40101		
	49	284759	INSULATOR	1				
	50	261076	WOODRUFF KEY 3X10	1	5	A'シ 3X10	3x10	
	51	262731	NUT	1		M10X17XT8'721	M10	
	52	280381	SPACER	2	5			
	53	261256	BOLT	2	5	M4X25	M4x25	
	54	285982	SPARK PLUG(BPM8Y)	1		NGK BPM8Y	NGK BPM8Y	
	55	286988	GROMMET	1				
	56	283735	WIRE COIL	1		155'7HCBH		
	57	284541	LEAD	1		135M4HCBH		
	58	264588	CLAMP	1	5			
	59	285809	RECOIL STARTER ASSY	1			Incl.60-74	
	60	285810	RECOIL STARTER ASSY	1		CE420' シンパ' -	Incl.61-69	
	61	286291	REEL	1		A54108100500		
	62	286292	CAM PLATE	1		A54308110100		

Status	Position	Parts Number	Parts Name	Unit Quantity	Set Unit Quantity	Specification	Remarks	Maker code
	63	286293	CAMPER SPRING	1		A52408110000		
	64	280995	SPIRAL SPRING	1				
	65	286295	SET SCREW	1		A607116A0010		
	66	286296	STARTER ROPE ASSY	1		A201267R0300	Incl.67-69	
	67	286297	STARTER ROPE	1		3.8X1000	3.8x1000	
	68	262633	STARTER KNOB	1		クワ		
	69	262981	CAP	1		クワ		
	70	285679	STARTER PULLEY ASSY	1			Incl.71-74	
	71	285680	STARTER PULLEY	1				
	72	285681	RATCHET	2				
	73	285682	RETURN SPRING	2				
	74	262638	E-RING	2				
	75	268940	SCREW	4		M5X18WSW-12	M5x18	
	76	285736	NUT	1		M8 6かX4	M8	
	77	285735	RUBBER PACKING	4	5	17X8X2		
	78	287272	LABEL	1		スパークアレスタイコク		
	79	246578		1		MARUYAMA B420L	MARUYAMA B420L	
	80	246572		1		66 CER420	CER420	

Status	Position	Parts Number	Parts Name	Unit Quantity	Set Unit Quantity	Specification	Remarks	Maker code
	1	287021	CARBURETOR ASSY	1		WYK-365	Incl.2-16 New gasket required	
	2	283124	CARBURETOR BODY	1		WB5-7437		
	3	263726	COVER PLATE	1		WB21-158		
	4	283905	DIAPHRAGM METERRING	1		WB95-614		
	5	263727	GASKET	1		WB92-192		
	6	262994	DIAPHRAGM	1		WB95-99		
	7	282576	GASKET	1		WB92-415		
	8	287061	JET	1		#48		
	9	261871	O-RING	1		WB16-104		
	10	261875	SCREW	2		WB96-323		
	11	264677	BRACKET	1		WB167-143		
	12	261876	RING	1		WB16-71		
	13	264678	WASHER	1	5	WB136-221		
	14	261658	SWIVEL	1		WB52-34		
	15	261657	PACKING	1		WB16-171		
	16	263737	SCREW	4		WB96-325		
	17	282299	PRIMER	1				
	18	282512	PIPE	1				
	19	282301	GASKET	1				
	20	282302	HOUSING ASSY	1			Incl.21-26	
	21	282303	HOUSING BODY	1				
	22	282484	SLEEVE	3				
	23	282304	MACHINED DISC	1				
	24	282305	LEVER	1				
	25	269032	SCREW	1	5	タツビ ンネジ 3.5X8		
	26	269423	NUT	1	5	シカナツトM5		
	27	261814	CAP SCREW	2	5	M5X50WSWホ	M5x50	
	28	264807	CAP SCREW	1	5	M5X16WSWホ	M5x16	
	29	282481	PLATE	1				
	30	282306	ELEMENT	1				
	31	285814	CLEANER COVER	1		ク		
	32	279350	KNOB	1				
	33	289040	FUEL TANK ASSY	1		A46B88C180D97	Incl.34-46	
	34	285817	FUEL TANK	1		CE420 タワ		
	35	289046	TANK CAP ASSY	1			Incl.36	
	36	287058	GASKET	1				
	37	289041	FUEL PIPE PICK-UP ASSY	1			Incl.38-46	
	38	289042	FUEL PIPE ASSY	1			Incl.39-41	
	39	268065	GROMMET	1		37ナ		
	40	261590	BREATHER SUB ASSY	1				
	41	261117	CLIP	1				
	42	289028	PIPE A	1		3X5X53L	3x5x53L	
	43	288921	JOINT	1				
	44	289029	PIPE	1		3X5X125L	3x5x125L	
	45	267328	FUEL FILTER ASSY	1		125-532		
	46	261117	CLIP	3				
	47	261117	CLIP	2				
	48	285819	STAND	1		ク		
	49	285735	RUBBER PACKING	4	5	17X8X2		
	50	281714	CAP SCREW	4		M5X20WSW-12	M5x20	
	51	269032	SCREW	1	5	タツビ ンネジ 3.5X8		

5. B420L
ACCESSORIES



Status	Position	Parts Number	Parts Name	Unit Quantity	Set Unit Quantity	Specification	Remarks	Maker code
	1	228008	BOX SPANNER	1		17X19X(+) ^ト ライバ ^ク	17x19x(+)	
	2	054756	DOUBLE ENDED SPANNER	1		10X13	10x13	
	3	212300	LEVER HANDLE	1		6X100L	6x100L	
	4	219433	WRENCH	1		ニメソハバ ^ク 5 ユニクロ	5mm	
	5	239810	SEMI AUTO HEAD(L) 5 INCH	1		ヒダ ^ク リM10メネジ ^ク 1ライ ソ		
	6	242086		1		B420/B420L	B420/B420L	