



**B950PFC**

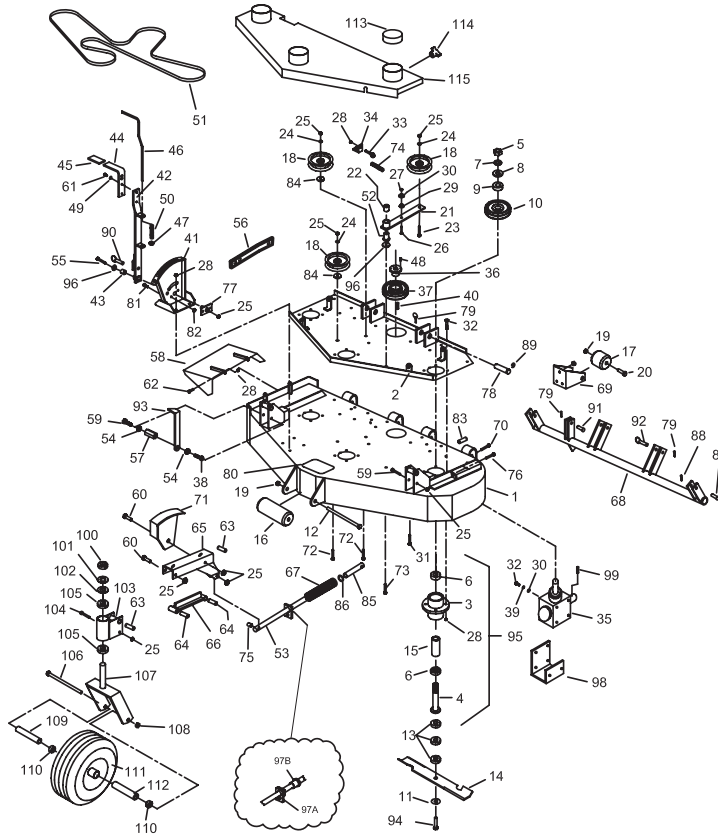
**PARTS  
MANUAL**





# Deck Components - D52FC

52" DECK ASSEMBLY

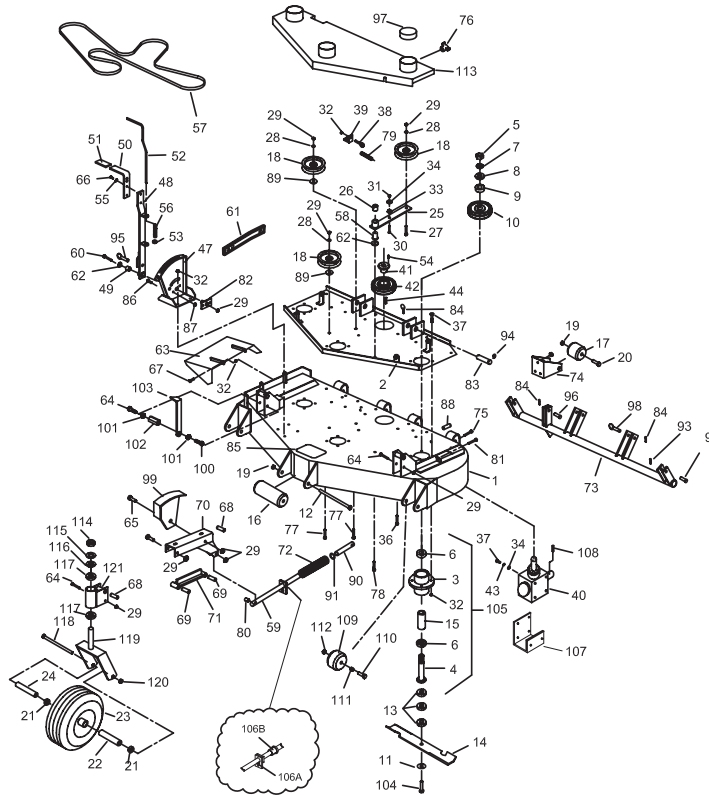


| #  | PART NO | QTY | DESCRIPTION                 | #   | PART NO | QTY | DESCRIPTION                    |
|----|---------|-----|-----------------------------|-----|---------|-----|--------------------------------|
| 1  | 582018  | 1   | DECK WELDMENT 52 MC         | 60  | 100301  | 4   | 3/8"-16 X 3 1/4" HEX BOLT      |
| 2  | 582020  | 1   | 52" SUB-PLATE WELDMENT      | 61  | 100251  | 2   | 1/4"-20 X 5/8" HEX BOLT        |
| 3  | 583111  | 3   | SPINDLE HOUSING             | 62  | 100273  | 2   | 5/16"-18 X 1" HEX BOLT         |
| 4  | 583112  | 3   | SPINDLE SHAFT               | 63  | 823330  | 4   | CASTER ARM PIVOT               |
| 5  | 104511  | 3   | 3/4"-16 HEX NUT             | 64  | 823090  | 4   | CASTER BAR PIVOT               |
| 6  | 363350  | 6   | BEARING - BLADE SPINDLE     | 65A | 582053  | 1   | LEFT HAND CASTER ARM           |
| 7  | 105010  | 3   | 3/4" LOCK WASHER            | 65B | 582051  | 1   | RIGHT HAND CASTER ARM          |
| 8  | 105269  | 3   | 3/4" SAE FLAT WASHER        | 66  | 582059  | 2   | CASTER BAR WELDMENT            |
| 9  | 583110  | 3   | PULLEY SPACER               | 67  | 823150  | 2   | COMPRESSION SPRING             |
| 10 | 583107  | 3   | PULLEY - SPINDLE 5 3/4"     | 68  | 823040  | 1   | DECK TUBE WELDMENT             |
| 11 | 583108  | 3   | 5/8" SPRING DISC WASHER     | 69  | 583074  | 2   | ROLLER MOUNT                   |
| 12 | 100351  | 1   | 5/8"-11 X 8 1/2" HEX BOLT   | 70  | 100298  | 2   | 3/8"-16 X 2 1/2" HEX BOLT      |
| 13 | 583109  | 9   | BLADE SPACER                | 71  | 582176  | 1   | CUT GAGE WELDMENT              |
| 14 | 823004  | 3   | 18" HI LIFT BLADE           | 72  | 107516  | 2   | 3/8"-16 X 2 1/4" CARRIAGE BOLT |
| 15 | 583113  | 3   | BEARING SPACER TUBE         | 73  | 107513  | 3   | 3/8"-16 X 3" CARRIAGE BOLT     |
| 16 | 603023  | 1   | ANTI-SCALP ROLLER           | 74  | 523327  | 1   | IDLER SPRING                   |
| 17 | 523084  | 2   | REAR DECK ROLLER            | 75  | 823153  | 2   | CASTER ROD SPACER              |
| 18 | 523329  | 3   | FLOATING IDLER - FLAT       | 76  | 100030  | 2   | 3/8"-16 X 3" TAP BOLT          |
| 19 | 104261  | 3   | 5/8"-11 NYLDC NUT           | 77  | 822132  | 1   | DECK HEIGHT PIVOT              |
| 20 | 100346  | 2   | 5/8"-11 X 4 1/2" HEX BOLT   | 78  | 823339  | 2   | DECK ATTACH PIN                |
| 21 | 822144  | 1   | DECK IDLER ARM W/ BUSHING   | 79  | 100001  | 2   | 3/16" QUICK PIN                |
| 22 | 523111  | 1   | 3/4" PLASTIC BUSHING        | 80  | 823200  | 1   | STEP TREAD                     |
| 23 | 107511  | 1   | 3/8"-16 X 2" CARRIAGE BOLT  | 81  | 107502  | 2   | 1/4"-20 X 3/4" CARRIAGE BOLT   |
| 24 | 105260  | 8   | 3/8" FLAT WASHER            | 82  | 104255  | 2   | 1/4"-20 NYLDC NUT              |
| 25 | 104257  | 16  | 3/8"-16 NYLDC NUT           | 83  | 823314  | 2   | TUBE SADDLE SPACER             |
| 26 | 100275  | 1   | 5/16"-18 X 1 1/2" HEX BOLT  | 84  | 483017  | 2   | RIGHT HAND IDLER SPACER        |
| 27 | 109001  | 2   | 5/16"-18 WHIZLOCK NUT       | 85  | 823157  | 2   | CASTER ROD END                 |
| 28 | 104256  | 36  | 5/16"-18 NYLDC NUT          | 86  | 105260  | 2   | 5/8" HEAVY WASHER              |
| 29 | 109007  | 2   | 3/8"-16 WHIZLOCK NUT        | 87  | 823210  | 2   | 1/2" X 2" CLEVIS PIN           |
| 30 | 105258  | 9   | 5/16" FLAT WASHER           | 88  | 106763  | 2   | 1/8" COTTER PIN                |
| 31 | 107509  | 5   | 5/16"-18 X 1" CARRIAGE BOLT | 89  | 108510  | 4   | 7/8" E-RING                    |
| 32 | 100274  | 12  | 5/16"-18 X 1 1/4" HEX BOLT  | 90  | 109026  | 1   | 1/2" X 2" DETENT PIN           |
| 33 | 363080  | 1   | EYEBOLT - RIGHT             | 91  | 823209  | 1   | 1/2" X 1 1/2" CLEVIS PIN       |
| 34 | 523094  | 1   | SPRING MOUNT - DECK         | 92  | 823211  | 2   | 1/2" X 2 1/2" RING PIN         |
| 35 | 583087  | 1   | DECK GEAR BDX               | 93  | 583420  | 1   | POINTER CUT GAGE               |
| 36 | 523371  | 1   | 3/4" TAPER BUSHING          | 94  | 100358  | 3   | 5/8"-11 X 2 1/4" HEX BOLT      |
| 37 | 363216  | 1   | TAPER LOCK SHEAVE           | 95  | 583106  | 3   | BLADE SPINDLE ASSY             |
| 38 | 100291  | 1   | 3/8"-16 X 3/4" HEX BOLT     | 96  | 373089  | 1   | 3/8" RETAINING WASHER          |
| 39 | 105005  | 4   | 5/16" LOCK WASHER           | 97A | 592006  | 1   | SPRING RETAINER                |
| 40 | 107255  | 1   | 3/16" X 1" KEY              | 97B | 592057  | 1   | LIFT SPRING BUSHING WITH ZERK  |
| 41 | 582021  | 1   | HEIGHT ADJUSTMENT BRACKET   | 98  | 593096  | 1   | GEAR BDX TRUSS                 |
| 42 | 822141  | 1   | DECK HEIGHT BAR W/ BUSHING  | 99  | 107255  | 1   | KEY - 3/16" X 1"               |
| 43 | 253059  | 1   | ENGAGEMENT BUSHING          | 100 | 423071  | 2   | 7/8 CLAMP COLLAR               |
| 44 | 822062  | 1   | DECK HEIGHT HANDLE W/ GRIP  | 101 | 583171  | 2   | CASTER WASHER                  |
| 45 | 823312  | 1   | GRIP                        | 102 | 105501  | 4   | WAVY WASHER                    |
| 46 | 823149  | 1   | HANDLE ROD                  | 103 | 582080  | 2   | CASTER TUBE WLDMT W/ BEARINGS  |
| 47 | 823093  | 1   | 3/8" CLAMP COLLAR           | 104 | 100300  | 4   | 3/8-16 X 3 HHCS                |
| 48 | 100252  | 6   | 1/4"-20 X 3/4" HEX BOLT     | 105 | 423109  | 4   | 7/8 FLANGE BEARING             |
| 49 | 105004  | 2   | 1/4" LOCK WASHER            | 106 | 100339  | 2   | 1/2-13 X 6 HHCS                |
| 50 | 523028  | 1   | ASSIST SPRING               | 107 | 422016  | 2   | FRONT CASTER YOKE              |
| 51 | 823243  | 1   | 52" FC DECK BELT            | 108 | 104259  | 2   | 1/2-13 NYLDC NUT               |
| 52 | 423175  | 1   | PUMP IDLER PIVOT            | 109 | 363307  | 2   | AXLE TUBE                      |
| 53 | 823155  | 2   | CASTER ROD                  | 110 | 423201  | 4   | BEARING RETAINER               |
| 54 | 105006  | 2   | 3/8" LOCK WASHER            | 111 | 423103  | 2   | FRONT CASTER COMPLETE          |
| 55 | 100297  | 1   | 3/8"-16 X 2 1/4" HEX BOLT   | 112 | 423200  | 2   | BEARING                        |
| 56 | 823214  | 1   | HEIGHT ADJUSTMENT LINK      | 113 | 363161  | 3   | BELT SHIELD CAP                |
| 57 | 583422  | 1   | NUT-CUT GAGE                | 114 | 753028  | 4   | KNOB                           |
| 58 | 482017  | 1   | GRASS DEFLECTOR             | 115 | 582023  | 1   | 52" BELT SHIELD                |
| 59 | 100300  | 4   | 3/8"-16 X 3" HEX BOLT       |     |         |     |                                |



# Deck Components - D61FC

61 DESK ASSEMBLY

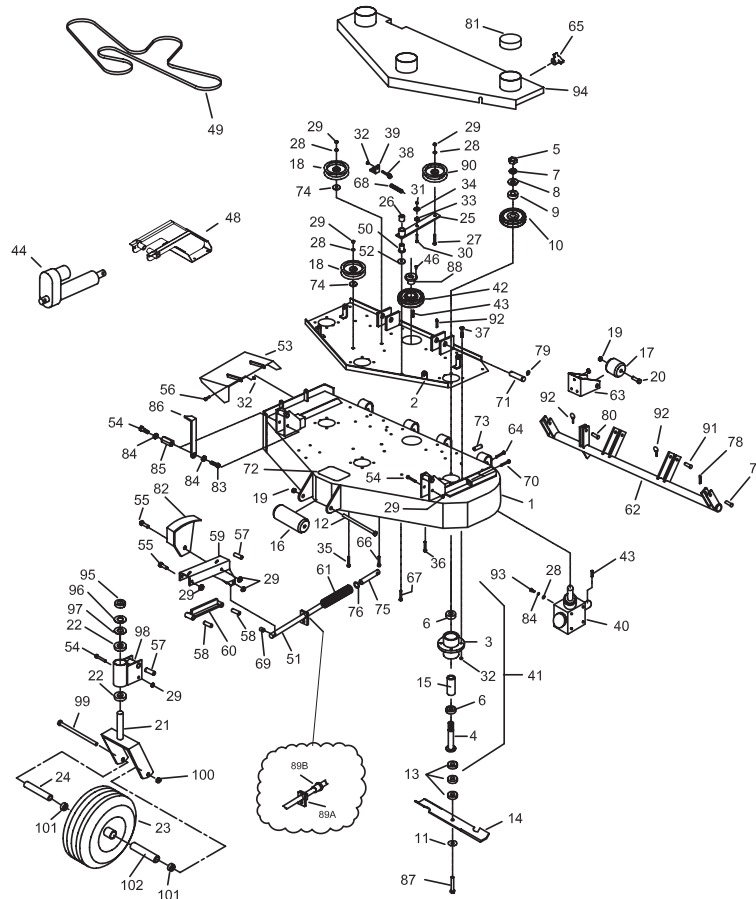


| #  | PART NO | QTY | DESCRIPTION                   | #    | PART NO | QTY | DESCRIPTION                    |
|----|---------|-----|-------------------------------|------|---------|-----|--------------------------------|
| 1  | 582017  | 1   | 61' FC DECK W/DMNT            | 63   | 582025  | 1   | GRASS DEFLECTOR - 61           |
| 2  | 582012  | 1   | 61' FC DECK CHANNEL           | 64   | 100300  | 4   | 3/8"-16 X 3" HEX BOLT          |
| 3  | 583111  | 3   | SPINDLE HOUSING               | 65   | 100301  | 4   | 3/8"-16 X 3 1/4" HEX BOLT      |
| 4  | 583112  | 3   | SPINDLE SHAFT                 | 66   | 100251  | 2   | 1/4"-20 X 5/8" HEX BOLT        |
| 5  | 104511  | 3   | 3/4"-16 HEX NUT               | 67   | 100273  | 2   | 5/16"-18 X 1" HEX NUT          |
| 6  | 363350  | 6   | BEARING - BLADE SPINDLE       | 68   | 823330  | 4   | CASTER ARM PIVOT               |
| 7  | 105010  | 3   | 3/4" LOCK WASHER              | 69   | 823090  | 4   | CASTER BAR PIVOT               |
| 8  | 105262  | 3   | 3/4" X 5/8" FLAT WASHER       | 70A  | 582051  | 1   | LEFT HAND CASTER ARM           |
| 9  | 583110  | 3   | PULLEY SPACER                 | 70B  | 582051  | 1   | RIGHT HAND CASTER ARM          |
| 10 | 583107  | 3   | SPINDLE PULLEY - 5 3/4"       | 71   | 582059  | 2   | CASTER BAR WELDMENT            |
| 11 | 583108  | 3   | 5/8" SPRING DISC WASHER       | 72   | 823150  | 2   | HEAVY COMPRESSION SPRING       |
| 12 | 100351  | 1   | 5/8"-11 X 8 1/2" HEX BOLT     | 73   | 822124  | 1   | 61" DECK TUBE WELDMENT         |
| 13 | 583109  | 9   | BLADE SPACER                  | 74   | 583074  | 2   | ROLLER MOUNT                   |
| 14 | 823006  | 3   | 210° HI LIFT BLADE            | 75   | 100298  | 2   | 3/8"-16 X 2 1/2" HEX BOLT      |
| 15 | 583113  | 3   | BEARING SPACER TUBE           | 76   | 753008  | 4   | KNOB                           |
| 16 | 603023  | 1   | ANTI-SCALP ROLLER             | 77   | 107516  | 2   | 3/8"-16 X 2 1/4" CARRIAGE BOLT |
| 17 | 523084  | 2   | REAR DECK ROLLER              | 78   | 107513  | 3   | 3/8"-16 X 3" CARRIAGE BOLT     |
| 18 | 523329  | 3   | IDLER - FLAT                  | 79   | 523327  | 1   | IDLER SPRING                   |
| 19 | 104261  | 3   | 5/8"-11 NYLOC NUT             | 80   | 823153  | 2   | CASTER ROD SPACER              |
| 20 | 100346  | 2   | 5/8"-11 X 4 1/2" HEX BOLT     | 81   | 100030  | 2   | 3/8"-16 X 3" TAP BOLT          |
| 21 | 423201  | 4   | BEARING RETAINER              | 82   | 822132  | 1   | DECK HEIGHT PIVOT              |
| 22 | 423200  | 2   | BEARING SPACER                | 83   | 823333  | 2   | DECK ATTACH PIN                |
| 23 | 423103  | 2   | FRONT CASTER COMPLETE         | 84   | 108001  | 2   | 3/16" QUICK PIN                |
| 24 | 363307  | 2   | AXLE TUBE                     | 85   | 823200  | 1   | STEP TREAD                     |
| 25 | 822144  | 1   | DECK IDLER ARM W/ BUSHING     | 86   | 107502  | 2   | 1/4"-20 X 3/4" CARRIAGE BOLT   |
| 26 | 583111  | 1   | 3/4 PLASTIC BUSHING           | 87   | 104255  | 2   | 1/4"-20 NYLOC NUT              |
| 27 | 107511  | 1   | 3/8"-16 X 2" CARRIAGE BOLT    | 88   | 823314  | 2   | TUBE SADDLE SPACER             |
| 28 | 105260  | 8   | 3/8" FLAT WASHER              | 89   | 483017  | 2   | RIGHT HAND IDLER SPACER        |
| 29 | 104257  | 16  | 3/8"-16 NYLOC NUT             | 90   | 583472  | 2   | CASTER ROD END                 |
| 30 | 109275  | 1   | 5/16"-18 X 1 1/2" HEX BOLT    | 91   | 109205  | 2   | 5/8" HEAVY WASHER              |
| 31 | 109001  | 2   | 5/16"-18 WHIZLOCK NUT         | 92   | 823210  | 2   | 1/2" X 2" CLEVIS PIN           |
| 32 | 104256  | 36  | 5/16"-18 NYLOC NUT            | 93   | 106763  | 2   | 1/8" COTTER PIN                |
| 33 | 109007  | 1   | 3/8-16 WHIZLOCK NUT           | 94   | 108510  | 4   | 7/8" E-RING                    |
| 34 | 105258  | 9   | 5/16" FLAT WASHER             | 95   | 109206  | 1   | 1/2" X 2" DETENT PIN           |
| 35 | 107503  | 10  | 5/16"-18 X 3/4" CARRIAGE BOLT | 96   | 823209  | 1   | 1/2" X 1 1/2" CLEVIS PIN       |
| 36 | 107509  | 5   | 5/16"-18 X 1" CARRIAGE BOLT   | 97   | 363161  | 2   | BELT SHIELD CAP                |
| 37 | 109274  | 12  | 1/2"-18 X 1 1/4" HEX BOLT     | 98   | 823211  | 1   | 1/2" X 2 1/2" RING PIN         |
| 38 | 363080  | 1   | RIGHT EYE BOLT                | 99   | 582176  | 1   | CUT GAGE WELDMENT              |
| 39 | 523094  | 1   | SPRING MNT.-DECK              | 100  | 100291  | 1   | 3/8"-16 X 3/4" HEX BOLT        |
| 40 | 583087  | 1   | DECK - GEAR BDX               | 101  | 105006  | 2   | 3/8" LOCK WASHER               |
| 41 | 523371  | 1   | 3/4" TAPER HUB                | 102  | 583422  | 1   | NUT - CUT GAGE                 |
| 42 | 523096  | 1   | 5" TAPERED PULLEY             | 103  | 583420  | 1   | POINTNER - CUT GAGE            |
| 43 | 105005  | 4   | 5/16" LOCK WASHER             | 104  | 100358  | 3   | 5/8"-11 X 2 1/4" HEX BOLT      |
| 44 | 107255  | 1   | 3/16" X 1" KEY                | 105  | 583106  | 3   | BLADE SPINDLE ASSY             |
| 45 |         |     |                               | 106A | 592006  | 1   | SPRING RETAINER                |
| 46 |         |     |                               | 106B | 592057  | 1   | LIFT SPRING BUSHING WITH ZERK  |
| 47 | 582021  | 1   | HEIGHT ADJUSTMENT BRACKET     | 107  | 593096  | 1   | GEAR BOX TRUSS                 |
| 48 | 822141  | 1   | DECK HEIGHT BAR W/ BUSHING    | 108  | 107255  | 1   | KEY - 3/16" X 1"               |
| 49 | 253059  | 1   | ENGAGEMENT BUSHING            | 109  | 423023  | 2   | ANTI-SCALP ROLLER              |
| 50 | 822062  | 1   | DECK HEIGHT HANDLE W/ GRIP    | 110  | 100036  | 2   | 1/2"-13 X 4 1/2" HHCS          |
| 51 | 823319  | 1   | GRIP                          | 111  | 453132  | 2   | SPACER                         |
| 52 | 823449  | 1   | HANDLE ROD                    | 112  | 104259  | 2   | 1/2"-13 NYLOC                  |
| 53 | 823093  | 1   | 3/8" CLAMP COLLAR             | 113  | 582024  | 1   | 61" BELT SHIELD                |
| 54 | 100252  | 6   | 1/4"-20 X 3/4" HEX BOLT       | 114  | 423071  | 2   | 7/8 CLAMP COLLAR               |
| 55 | 105004  | 2   | 1/4" LOCK WASHER              | 115  | 583171  | 2   | CASTER WASHER                  |
| 56 | 523028  | 1   | ASSIST SPRING                 | 116  | 105501  | 4   | WAVY WASHER                    |
| 57 | 823242  | 1   | 61" DECK BELT                 | 117  | 423109  | 4   | 7/8 FLANGE BEARING             |
| 58 | 423175  | 1   | PUMP IDLER PIVOT              | 118  | 100392  | 2   | 1/2"-13 X 6 HHCS               |
| 59 | 583474  | 2   | CASTER ROD                    | 119  | 422016  | 2   | FRONT SPINDLE YOKER            |
| 60 | 100297  | 1   | 3/8"-16 X 2 1/4" HEX BOLT     | 120  | 104259  | 2   | 1/2"-13 NYLOC NUT              |
| 61 | 823214  | 1   | HEIGHT ADJUSTMENT LINK        | 121  | 582080  | 2   | CASTER TUBE W/DMNT W/ BEARING  |
| 62 | 373089  | 1   | 3/8 STD RETAINING WASHER      |      |         |     |                                |



# Deck Components - D72FC

72 DECK ASSEMBLY



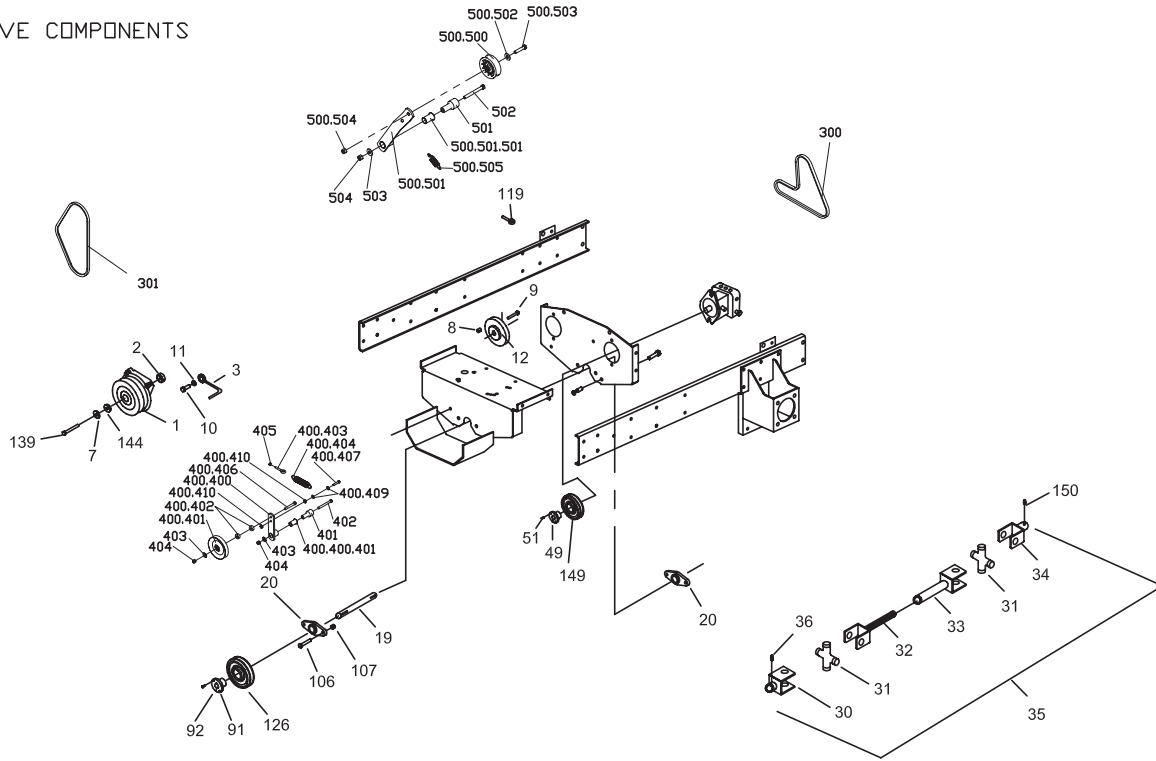
| #  | PART NO | QTY | DESCRIPTION                   | #   | PART NO | QTY | DESCRIPTION                   |
|----|---------|-----|-------------------------------|-----|---------|-----|-------------------------------|
| 1  | 582104  | 1   | 72" MC DECK WELDMENT          | 53  | 583108  | 1   | DEFLECTOR SHIELD 72"          |
| 2  | 582098  | 1   | 72" DECK CHANNEL              | 54  | 100300  | 4   | 3/8"-16 X 3" HEX BOLT         |
| 3  | 583111  | 3   | SPINDLE HOUSING               | 55  | 100301  | 4   | 3/8"-16 X 3 1/4" HEX BOLT     |
| 4  | 583112  | 3   | SPINDLE SHAFT                 | 56  | 100273  | 2   | 5/16"-18 X 1" HEX BOLT        |
| 5  | 104511  | 3   | 3/4"-16 HEX NUT               | 57  | 823330  | 4   | CASTER ARM PIVOT              |
| 6  | 363350  | 6   | BEARING - BLADE SPINDLE       | 58  | 823090  | 4   | CASTER BAR PIVOT              |
| 7  | 105010  | 3   | 3/4 LOCKWASHER                | 59A | 582053  | 1   | LEFT HAND CASTER ARM          |
| 8  | 105269  | 3   | 3/4" SAE FLAT WASHER          | 59B | 582051  | 1   | RIGHT HAND CASTER ARM         |
| 9  | 583110  | 3   | PULLEY SPACER                 | 60  | 582059  | 2   | CASTER BAR WELDMENT           |
| 10 | 583107  | 3   | PULLEY - SPINDLE 5 3/4"       | 61  | 823150  | 2   | SPRING                        |
| 11 | 583108  | 3   | 5/8" SPRING DISC WASHER       | 62  | 583112  | 1   | 72" DECK TUBE WELDMENT        |
| 12 | 100351  | 1   | 5/8"-11 X 8 1/2" HEX BOLT     | 63  | 583074  | 2   | ROLLER MOUNT                  |
| 13 | 583109  | 9   | BLADE SPACER                  | 64  | 100298  | 2   | 3/8"-16 X 2 1/2" HEX BOLT     |
| 14 | 583287  | 3   | 25" OFFSET BLADE              | 65  | 753028  | 4   | KNOB                          |
| 15 | 583113  | 3   | BEARING SPACER TUBE           | 66  | 107516  | 2   | 3/8" X 2 1/4" CARRIAGE BOLT   |
| 16 | 603023  | 1   | ANTI-SCALP ROLLER             | 67  | 107513  | 3   | 3/8"-16 X 3" CARRIAGE BOLT    |
| 17 | 523084  | 2   | REAR DECK ROLLER              | 68  | 523327  | 1   | FLOATING IDLER SPRING         |
| 18 | 583162  | 2   | 6" FLAT IDLER                 | 69  | 823153  | 2   | SPACER                        |
| 19 | 104261  | 3   | 5/8"-11 NYLDC NUT             | 70  | 100030  | 2   | 3/8"-16 X 3" TAP BOLT         |
| 20 | 100346  | 2   | 5/8"-11 X 4 1/2" HEX BOLT     | 71  | 823333  | 2   | DECK ATTACH PIN               |
| 21 | 422016  | 2   | FRONT CASTER YOKE             | 72  | 823200  | 1   | STEP TREAD                    |
| 22 | 423109  | 4   | 7/8" FLANGE BEARING           | 73  | 823314  | 2   | TUBE SADDLE SPACER            |
| 23 | 423103  | 2   | FRONT CASTER COMPLETE         | 74  | 483017  | 2   | RIGHT HAND IDLER SPACER       |
| 24 | 363307  | 2   | AXLE TUBE                     | 75  | 583105  | 2   | CASTER ROD END - 72" FC       |
| 25 | 822144  | 1   | DECK IDLER ARM W/BUSHING      | 76  | 109025  | 2   | 5/8" HEAVY WASHER             |
| 26 | 523111  | 1   | 3/4" PLASTIC BUSHING          | 77  | 823210  | 2   | 1/2" X 2" CLEVIS PIN          |
| 27 | 107511  | 1   | 3/8"-16 X 2" CARRIAGE BOLT    | 78  | 106763  | 2   | 1/8" COTTER PIN               |
| 28 | 105260  | 9   | 3/8" FLAT WASHER              | 79  | 108510  | 4   | 7/8" E-RING                   |
| 29 | 104257  | 16  | 3/8"-16 NYLDC NUT             | 80  | 823202  | 2   | 1/2" X 1 1/2" CLEVIS PIN      |
| 30 | 100275  | 1   | 5/16"-18 X 1 1/2" HEX BOLT    | 81  | 363161  | 3   | BELT SHIELD CAP               |
| 31 | 109001  | 2   | 5/16"-18 WHIZLOCK NUT         | 82  | 582176  | 1   | CUT GAGE WELDMENT             |
| 32 | 104256  | 36  | 5/16"-18 NYLDC NUT            | 83  | 100291  | 1   | 3/8"-16 X 3/4" HEX BOLT       |
| 33 | 109007  | 2   | 3/8"-16 WHIZLOCK NUT          | 84  | 105006  | 2   | 3/8" LOCKWASHER               |
| 34 | 105258  | 9   | 5/16" FLAT WASHER             | 85  | 583422  | 1   | NUT-CUT GAGE                  |
| 35 | 107503  | 10  | 5/16"-18 X 3/4" CARRIAGE BOLT | 86  | 583420  | 1   | POINTER CUT GAGE              |
| 36 | 107509  | 5   | 5/16"-18 X 1" CARRIAGE BOLT   | 87  | 100358  | 3   | 5/8"-11 X 2 1/4" HEX BOLT     |
| 37 | 100274  | 12  | 5/16"-18 X 1 1/4" HEX BOLT    | 88  | 363215  | 1   | 1" TAPER LOCK HUB             |
| 38 | 363080  | 1   | EYE BOLT - RIGHT              | 89A | 522005  | 1   | SPRING RETAINER               |
| 39 | 523094  | 1   | SPRING MOUNT - DECK           | 89B | 522057  | 1   | LIFT SPRING BUSHING WITH ZERK |
| 40 | 583166  | 1   | GEAR BOX LARGE                | 90  | 523329  | 1   | FLOATING IDLER - FLAT         |
| 41 | 583106  | 3   | BLADE SPINDLE ASSY            | 91  | 823211  | 2   | 1/2" X 2 1/2" RING PIN        |
| 42 | 583447  | 1   | 6" TAPER LOCK SHEAVE          | 92  | 108001  | 2   | 3/16" QUICK PIN               |
| 43 | 107258  | 2   | 1/4 X 1/4 X 3/4 MACH. KEY     | 93  | 100293  | 4   | 3/8"-16 X 1 1/4" HHCS         |
| 44 | 583294  | 1   | ELECTRIC ACTUATOR             | 94  | 582106  | 1   | 72" BELT SHIELD               |
| 45 |         |     |                               | 95  | 423071  | 2   | 7/8" CLAMP COLLAR             |
| 46 | 100252  | 6   | 1/4"-20 X 3/4" HEX BOLT       | 96  | 583171  | 2   | CASTER WASHER                 |
| 47 |         |     |                               | 97  | 105501  | 4   | WAVY WASHER                   |
| 48 | 582178  | 1   | ELECT. LIFT MOUNT FC          | 98  | 582080  | 1   | CASTER TUBE W/DMT W/ BEARINGS |
| 49 | 583153  | 1   | 72" DECK BELT                 | 99  | 100339  | 2   | 1/2-13 X 6 HHCS               |
| 50 | 423175  | 1   | PUMP IDLER PIVOT              | 100 | 104259  | 2   | 1/2-13 NYLDC NUT              |
| 51 | 583474  | 2   | CASTER ROD                    | 101 | 423201  | 4   | BEARING RETAINER              |
| 52 | 373089  | 1   | 3/8" RETAINING WASHER         | 102 | 423200  | 2   | BEARING                       |





# Drive Components

## DRIVE COMPONENTS



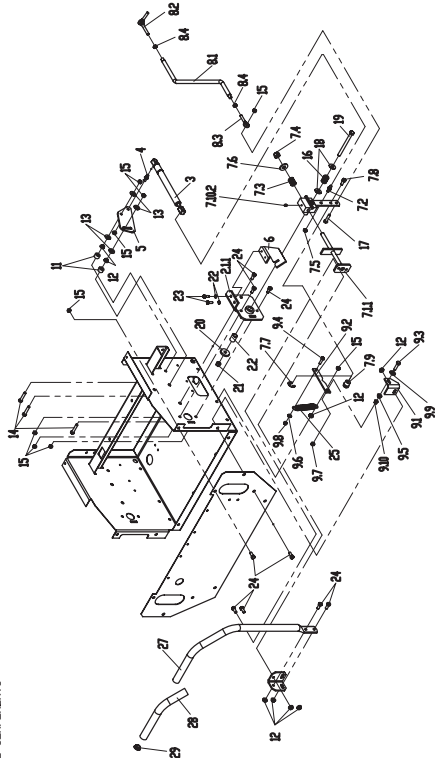
| ITEM NUMBER | PART NUMBER | QUANTITY | DESCRIPTION                  | ITEM NUMBER | PART NUMBER | QUANTITY | DESCRIPTION           |
|-------------|-------------|----------|------------------------------|-------------|-------------|----------|-----------------------|
| 1           | 523370      | 1        | ELECTRIC CLUTCH*             | 149         | 823306      | 2        | PUMP PULLEY**         |
|             | 823165      | 1        | ELECTRIC CLUTCH**            |             | 823190      | 2        | PUMP PULLEY*          |
| 2           | 523322      | 2        | CLUTCH SPACER*               | 300         | 583385      | 1        | PUMP BELT SML PUMP    |
|             | 823248      | 1        | CLUTCH SPACER**              | 301         | 583517      | 1        | PTD BELT              |
| 3           | 363075      | 1        | ROUND BELT GUIDE*            | 400         | 824061      | 1        | CLUTCH IDLER ASSY.    |
|             | 823250      | 1        | ROUND CLUTCH STOP**          | 400.4       | 422025      | 1        | TENSIONER W/BUSHING   |
| 7           | 753027      | 1        | 3/8" DISC SPRING WASHER      | 400.401     | 483025      | 1        | RH IDLER PULLEY       |
|             | 423069      | 2        | 7/16" DISC SPRING WASHER     | 400.402     | 483017      | 2        | RH IDLER SPACER       |
| 8           | 363097      | 3        | SPACER*                      | 400.403     | 363080      | 1        | RIGHT EYEBOLT         |
| 9           | 109022      | 3        | 8MM-1.25 X 50MM HEX BOLT     | 400.404     | 593074      | 1        | IDLER SPRING - HH     |
| 10          | 100512      | 2        | 5/16"-24 X 1" HEX BOLT*      | 400.406     | 100299      | 1        | 3/8-16 X 2-3/4 HHCS   |
|             | 100291      | 1        | 3/8"-16 X 2" HEX BOLT**      | 400.407     | 100275      | 1        | 5/16-18 X 1-1/2 HHCS  |
| 11          | 363226      | 4        | DISC SPRING WASHER           | 400.409     | 105256      | 2        | 1/4 STD FLAT WASHER   |
| 12          | 523289      | 1        | HYDR DRIVE PULLEY*           | 400.41      | 109001      | 2        | 5/16-18 WHIZLOCK NUT  |
|             | 823206      | 1        | HYDR DRIVE PULLEY**          | 401         | 823030      | 1        | PUMP IDLER SUPPORT    |
| 19          | 823028      | 1        | DECK SHAFT                   | 402         | 100302      | 1        | 3/8-16 X 3-1/2 HHCS   |
| 20          | 823032      | 2        | DECK SHAFT BEARING           | 403         | 105260      | 1        | 3/8 STD FLAT WASHER   |
| 30          | 523414      | 1        | 1" YOKE                      | 404         | 104257      | 1        | 3/8-16 NYLDC NUT      |
| 31          | 523415      | 2        | CROSS & BEARING              | 405         | 104256      | 1        | 5/16-18 NYLDC NUT     |
| 32          | 593075      | 1        | YOKE SHAFT                   | 500         | 584009      | 1        | PUMP IDLER ASM.       |
| 33          | 583481      | 1        | YOKE TUBE                    | 500.5       | 823351      | 1        | PUMP DRIVE IDLER      |
| 34          | 823372      | 1        | 3/4" YOKE                    | 500.501     | 822138      | 1        | IDLER ARM W/BUSHING   |
| 35          | 583172      | 1        | DRIVE SHAFT FRONT CUT ONLY   | 500.502     | 105260      | 1        | 3/8 STD FLAT WASHER   |
| 36          | 103295      | 2        | 3/8"-16 X 1/2" SET SCREW     | 500.503     | 100295      | 1        | 3/8-16 X 1-3/4 HHCS   |
| 49          | 423178      | 2        | 15MM TAPER HUB               | 500.504     | 104257      | 1        | 3/8-16 NYLDC NUT      |
| 51          | 453102      | 2        | PUMP KEY (SMM)               | 500.505     | 523048      | 1        | FLOATING IDLER SPRING |
| 91          | 363215      | 1        | 1" TAPER HUB                 | 501         | 823030      | 1        | PUMP IDLER SUPPORT    |
| 92          | 107259      | 2        | 1/4" X 1/4" X 1" KEY         | 502         | 100302      | 1        | 3/8-16 X 3-1/2 HHCS   |
| 106         | 100311      | 4        | 7/16"-14 X 1 1/2" HEX BOLT   | 503         | 105260      | 1        | 3/8 STD FLAT WASHER   |
| 107         | 104258      | 4        | 7/16"-14 NYLDC NUT           | 504         | 104257      | 1        | 3/8-16 NYLDC NUT      |
| 126         | 363216      | 1        | TAPER LOCK SHEAVE*           | 400.400.401 | 523111      | 1        | 3/4 PLASTIC BUSHING   |
|             | 523096      | 1        | 5" TAPER LOCK SHEAVE**       | 500.501.501 | 523111      | 1        | 3/4 PLASTIC BUSHING   |
| 139         | 109019      | 1        | 10MM-1.5 X 30MM HEX BOLT*    |             |             |          |                       |
|             | 100533      | 1        | 7/16"-20 X 1 3/4" HEX BOLT** |             |             |          |                       |
| 144         | 423068      | 1        |                              |             |             |          |                       |

(\* ) KAWASAKI ENGINE ONLY  
 (\*\* ) KOLHER ENGINE ONLY



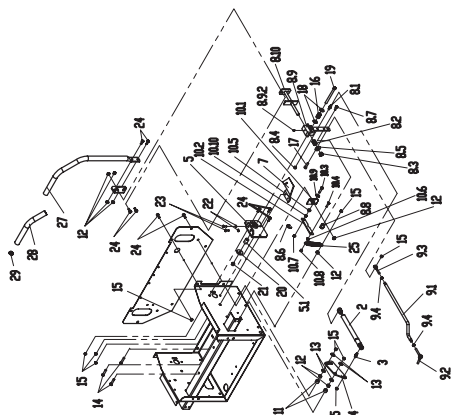
# Control Components

CONTROL COMPONENTS



| ITEM NO. | PART NUMBER | QTY. | DESCRIPTION              | ITEM NO. | PART NUMBER | QTY. | DESCRIPTION             |
|----------|-------------|------|--------------------------|----------|-------------|------|-------------------------|
| 2        | 56210       | 1    | LH CONTROL PIVOT W/ WASH | 92       | 82344       | 1    | NEUTRAL ARM             |
| 21       | 56209       | 1    | LH CONTROL PIVOT W/ WASH | 93       | 1M274       | 1    | 5/16-18 X 1-1/4 INCS    |
| 21.1     | 56206       | 1    | LH CONTROL PIVOT W/ WASH | 94       | 1M204       | 1    | 1/4-20 X 1 INCS         |
| 21.2     | 82304       | 1    | LEVER PIVOT W/ WASH      | 95       | 1M206       | 1    | 5/16-18 W/ W/ LOCK NUT  |
| 22       | 56209       | 1    | ENGAGEMENT WASHER        | 96       | 1M206       | 1    | 1/4 - 20 W/ W/ LOCK NUT |
| 3        | 56345       | 1    | IMPELLER                 | 97       | 1M206       | 1    | 5/16-18 W/ W/ LOCK NUT  |
| 4        | 82222-4     | 1    | 1MM BALL STUD            | 98       | 1M205       | 1    | 1/4-20 W/ W/ LOCK NUT   |
| 5        | 56348       | 1    | IMPELLER ALL PLATE       | 99       | 1M208       | 1    | 5/16 STD FLAT WASHER    |
| 6        | 56226       | 1    | LH LEVER LOCK            | 90       | 82306       | 1    | FLANGE WASHER           |
| 7        | 56254       | 1    | LH NEUTRAL LOCK PIVOT    | 10       | 56222       | 1    | CONTROL LEVER ANGLE     |
| 7.1      | 56204       | 1    | HANDLE INT. PLATE        | 11       | 36313       | 2    | SPACER                  |
| 7.2      | 56205       | 1    | HANDLE PIVOT ROD         | 12       | 1M201       | 8    | 5/16-18 W/ W/ LOCK NUT  |
| 7.3      | 56208       | 1    | NEUTRAL LOCK TAB         | 13       | 1M208       | 4    | 5/16 STD FLAT WASHER    |
| 7.2      | 82222-4     | 1    | 1MM BALL STUD            | 14       | 1M275       | 3    | 5/16-18 X 1-1/2 INCS    |
| 7.3      | 36324       | 1    | COMPRESSION SPRING       | 15       | 1M205       | 9    | 5/16-18 W/ W/ LOCK NUT  |
| 7.4      | 1M209       | 1    | 1/2-13 W/ W/ LOCK NUT    | 16       | 36324       | 1    | COMPRESSION SPRING      |
| 7.5      | 1M205       | 1    | 5/16-18 W/ W/ LOCK NUT   | 17       | 1M274       | 1    | 5/16-18 X 1-1/4 INCS    |
| 7.6      | 1M204       | 1    | 1/2 STD Flatwasher       | 18       | 1M206       | 2    | 3/8 STD FLAT WASHER     |
| 7.7      | 1M209       | 1    | 5/16-18 X 3/4 INCS       | 19       | 1M205       | 1    | 3/8-16 X 4-1/2 INCS     |
| 7.8      | 1M271       | 1    | RETAINING WASHER         | 20       | 37389       | 1    | RETAINING WASHER        |
| 7.9      | 82272       | 1    | BUSSING NUT              | 21       | 1M207       | 1    | 3/8-16 W/ W/ LOCK NUT   |
| 7.10     | 82305       | 1    | DRIVE BLOCK W/ ZERK      | 22       | 1M204       | 2    | 1/4 STD LOCKWASHER      |
| 7.10.2   | 1M204       | 1    | 1/4-20 ZERK              | 23       | 1M202       | 2    | 1/4 STD LOCKWASHER      |
| 8        | 82407       | 1    | LH PUMP ROD ASSY.        | 24       | 1M271       | 2    | 1/4-20 X 3/4 INCS       |
| 8.1      | 82306       | 1    | LH DRIVE ROD             | 25       | 36317       | 9    | 5/16-18 X 3/4 INCS      |
| 8.2      | 42302       | 1    | 5/16 STD END             | 26       | 82302       | 1    | SEAT FRAME FRONT        |
| 8.3      | 43002       | 1    | 5/16-24 BALL STUD        | 27       | 56207       | 1    | HANDLE                  |
| 8.4      | 1M732       | 2    | 5/16-24 JHM NUT          | 28       | 56202       | 1    | HANDLE GRIP             |
| 9        | 82348       | 1    | ARM INT. - LH            | 29       | 56203       | 1    | HANDLE PLUG             |

CONTROL COMPONENTS

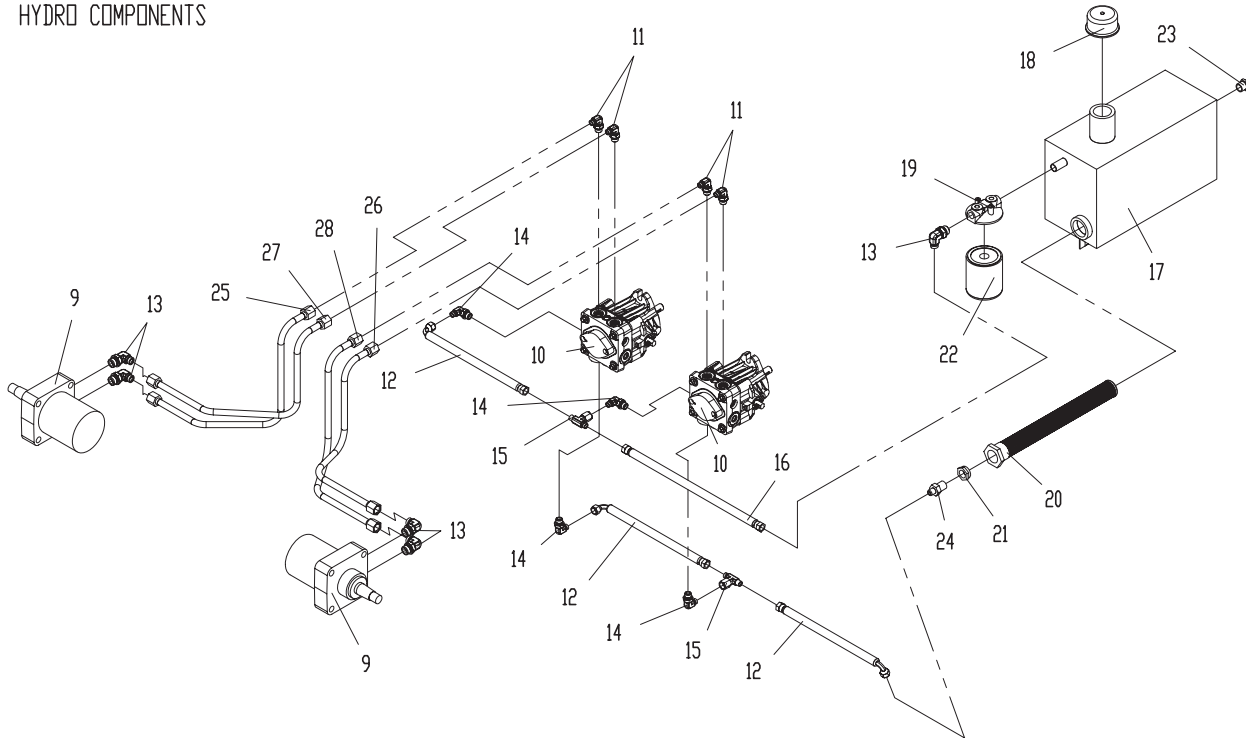


| ITEM NO. | PART NUMBER | QTY. | DESCRIPTION              | ITEM NO. | PART NUMBER | QTY. | DESCRIPTION             |
|----------|-------------|------|--------------------------|----------|-------------|------|-------------------------|
| 2        | 56345       | 1    | IMPELLER                 | 104      | 1M204       | 1    | 1/4-20 X 1 INCS         |
| 3        | 82222-4     | 1    | 1MM BALL STUD            | 105      | 1M206       | 1    | 5/16-18 W/ W/ LOCK NUT  |
| 4        | 56348       | 1    | IMPELLER ALL PLATE       | 106      | 1M206       | 1    | 1/4 - 20 W/ W/ LOCK NUT |
| 5        | 56209       | 1    | RH CONTROL PIVOT W/ WASH | 107      | 1M205       | 1    | 5/16-18 W/ W/ LOCK NUT  |
| 5.1      | 56209       | 1    | ENGAGEMENT WASHER        | 108      | 1M205       | 1    | 1/4-20 W/ W/ LOCK NUT   |
| 5.2      | 56348       | 1    | RH CONTROL PIVOT W/ WASH | 109      | 1M208       | 1    | 5/16 STD FLAT WASHER    |
| 6        | 56222       | 1    | CONTROL LEVER ANGLE      | 110      | 82306       | 1    | FLANGE WASHER           |
| 7        | 56254       | 1    | RH LEVER LOCK            | 11       | 36313       | 2    | SPACER                  |
| 8        | 82222-4     | 1    | 1MM BALL STUD            | 12       | 1M201       | 8    | 5/16-18 W/ W/ LOCK NUT  |
| 8.1      | 36324       | 1    | COMPRESSION SPRING       | 13       | 1M208       | 4    | 5/16 STD FLAT WASHER    |
| 8.2      | 1M209       | 1    | 1/2-13 W/ W/ LOCK NUT    | 14       | 1M275       | 3    | 5/16-18 X 1-1/2 INCS    |
| 8.3      | 1M205       | 1    | 5/16-18 W/ W/ LOCK NUT   | 15       | 1M205       | 9    | 5/16-18 W/ W/ LOCK NUT  |
| 8.4      | 1M204       | 1    | 1/2 STD Flatwasher       | 16       | 36324       | 1    | COMPRESSION SPRING      |
| 8.5      | 1M205       | 1    | 5/16-18 X 3/4 INCS       | 17       | 1M274       | 1    | 5/16-18 X 1-1/4 INCS    |
| 8.6      | 1M271       | 1    | RETAINING WASHER         | 18       | 1M206       | 2    | 3/8 STD FLAT WASHER     |
| 8.7      | 82272       | 1    | BUSSING NUT              | 19       | 1M205       | 1    | 3/8-16 X 4-1/2 INCS     |
| 8.8      | 82305       | 1    | DRIVE BLOCK W/ ZERK      | 20       | 37389       | 1    | RETAINING WASHER        |
| 8.9      | 82305       | 1    | 1/4-20 ZERK              | 21       | 1M207       | 1    | 3/8-16 W/ W/ LOCK NUT   |
| 8.9.2    | 1M204       | 1    | RH NEUTRAL LOCK PIVOT    | 22       | 1M204       | 2    | 1/4 STD LOCKWASHER      |
| 8.10     | 56208       | 1    | RH PUMP ROD ASSY.        | 23       | 1M202       | 2    | 1/4 STD LOCKWASHER      |
| 9        | 82306       | 1    | RH DRIVE ROD             | 24       | 1M271       | 9    | 5/16-18 X 3/4 INCS      |
| 9.1      | 82348       | 1    | 5/16-24 BALL STUD        | 25       | 36317       | 9    | 5/16-18 X 3/4 INCS      |
| 9.2      | 42302       | 1    | 5/16 STD END             | 26       | 82302       | 1    | SEAT FRAME FRONT        |
| 9.3      | 43002       | 1    | 5/16-24 JHM NUT          | 27       | 56207       | 1    | HANDLE                  |
| 9.4      | 1M732       | 2    | 5/16-24 JHM NUT          | 28       | 56202       | 1    | HANDLE GRIP             |
| 10       | 82348       | 1    | ARM INT. - RH            | 29       | 56203       | 1    | HANDLE PLUG             |
| 10.1     | 82348       | 1    | NEUTRAL ARM              |          |             |      |                         |
| 10.2     | 82348       | 1    | 5/16-18 X 1-1/4 INCS     |          |             |      |                         |



# Hydro Components

HYDRO COMPONENTS

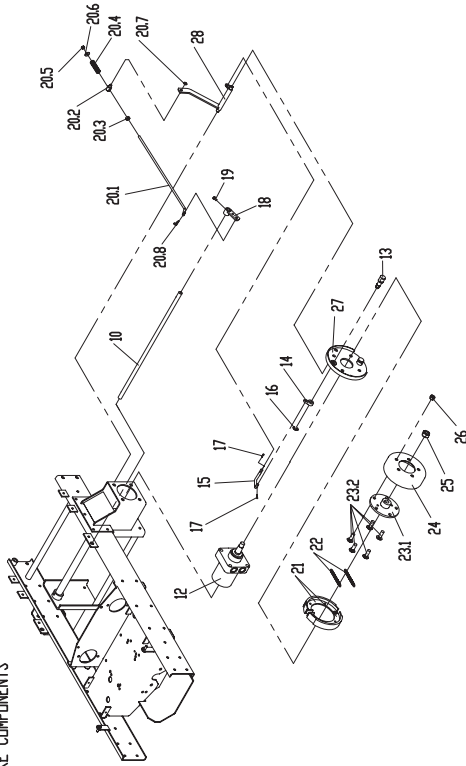


| ITEM NO. | PART NUMBER | DESCRIPTION            | QTY. |
|----------|-------------|------------------------|------|
| 9        | 453153      | WHEEL MOTOR            | 2    |
| 10       | 453166      | PUMP - BDP10A          | 2    |
| 11       | 453167      | 90° ADAPTER            | 4    |
| 12       | 823185      | PUMP TO PUMP FEED LINE | 3    |
| 13       | 523058      | RETURN ADAPTER         | 5    |
| 14       | 453074      | 90° ADAPTER            | 4    |
| 15       | 453106      | SWIVEL TEE             | 2    |
| 16       | 453126      | PUMP TO PUMP FEED LINE | 1    |
| 17       | 823124      | OIL RESERVOIR          | 1    |
| 18       | 423165      | OIL BREATHER CAP       | 1    |
| 19       | 423064      | FILTER HEAD            | 1    |
| 20       | 453043      | SUCTION SCREEN         | 1    |
| 21       | 453128      | REDUCER BUSHING        | 1    |
| 22       | 423361      | OIL FILTER             | 1    |
| 23       | 423065      | OIL EYE                | 1    |
| 24       | 583524      | STRAIGHT ADAPTER       | 1    |
| 25       | 823186      | OUTSIDE LINE - RH      | 1    |
| 26       | 823187      | OUTSIDE LINE - LH      | 1    |
| 27       | 823188      | INSIDE LINE - RH       | 1    |
| 28       | 823189      | INSIDE LINE - LH       | 1    |



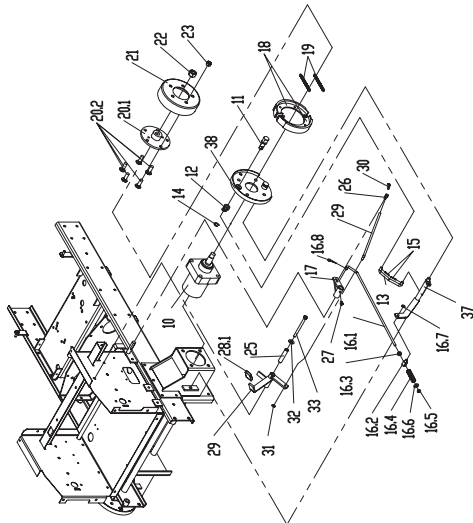
# Brake Components

BRAKE COMPONENTS



| ITEM NO. | PART NUMBER | DESCRIPTION                  | QTY. |
|----------|-------------|------------------------------|------|
| 10       | 823140      | PARK SHAFT                   | 1    |
| 12       | 453153      | WHEEL MOTOR                  | 1    |
| 13       | 423296      | BRAKE CAM                    | 1    |
| 14       | 423308      | BRAKE CAM ARM                | 1    |
| 15       | 423312      | BRAKE CAM LINK               | 1    |
| 16       | 106500      | E-RING FOR 5/8 DIA           | 1    |
| 17       | 106753      | 3/2 X 3/4 COTTER PIN         | 2    |
| 18       | 422049      | BRAKE CRANK W/LINUT - PLATED | 1    |
| 19       | 106501      | 1/4-28 X 1/2 HCS             | 1    |
| 20       | 424016      | BRAKE ROD ASSY               | 1    |
| 201      | 423128      | PARK BRAKE LINK              | 1    |
| 202      | 423300      | PARK BRAKE SWIVEL            | 1    |
| 203      | 523112      | 5/16 CLAMP COLLAR            | 1    |
| 204      | 323024      | SPRING                       | 1    |
| 205      | 104256      | 5/16-18 NYLOC NUT            | 1    |
| 206      | 106258      | 5/16 FLAT WASHER             | 1    |
| 207      | 363177      | 3/8 PUSH NUT                 | 1    |
| 208      | 363165      | #3 HAIRPIN COTTER            | 1    |
| 21       | 423276      | BRAKE SHOE                   | 2    |
| 22       | 423281      | BRAKE SPRING                 | 2    |
| 23       | 423275      | WHEEL HUB                    | 1    |
| 232      | 103014      | 1/2-20 UNF PRESS IN STUD     | 5    |
| 24       | 423310      | BRAKE TRIM 1 180             | 1    |
| 25       | 104511      | 3/4-16 HEX NUT               | 1    |
| 26       | 103023      | 1/2-20 LUG NUT               | 1    |
| 27       | 422110      | CCV BACK PLATE - BRAKE       | 1    |
| 28       | 592064      | BRAKE CONTROL RH             | 1    |

BRAKE COMPONENTS

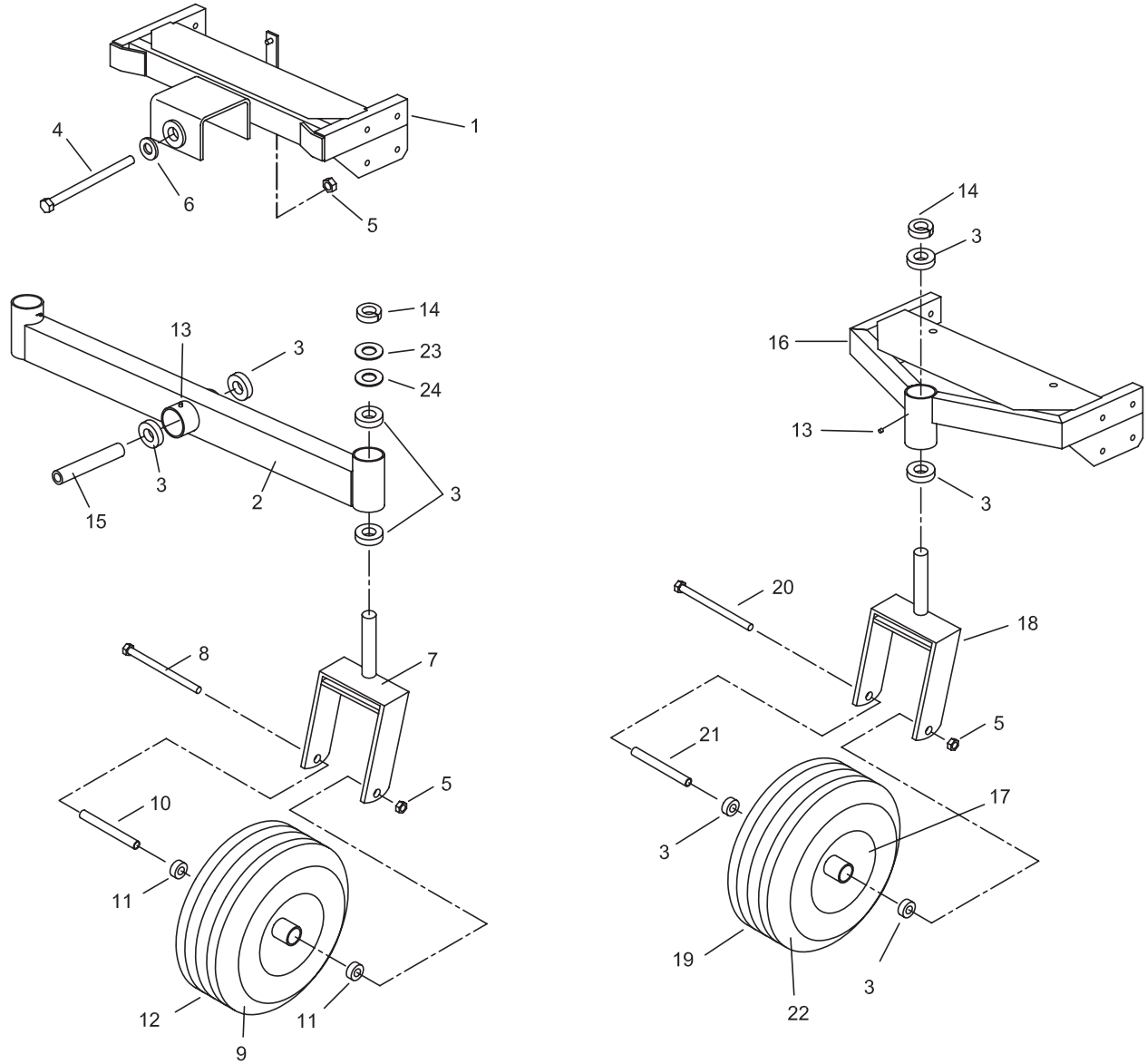


| ITEM NO. | PART NUMBER | DESCRIPTION              | QTY. |
|----------|-------------|--------------------------|------|
| 6        | 823048      | BRAKE ROD UPPER          | 1    |
| 7        | 823066      | BRAKE ROD - LOWER        | 1    |
| 8        | 823140      | PARK SHAFT               | 1    |
| 10       | 453153      | WHEEL MOTOR              | 1    |
| 11       | 423296      | BRAKE CAM                | 1    |
| 12       | 423308      | BRAKE CAM ARM            | 1    |
| 13       | 423312      | BRAKE CAM LINK           | 1    |
| 14       | 106500      | E-RING FOR 5/8 DIA       | 1    |
| 15       | 106753      | 3/2 X 3/4 COTTER PIN     | 2    |
| 16       | 424016      | BRAKE ROD ASSY           | 1    |
| 161      | 423128      | PARK BRAKE LINK          | 1    |
| 162      | 423300      | PARK BRAKE SWIVEL        | 1    |
| 163      | 523112      | 5/16 CLAMP COLLAR        | 1    |
| 164      | 323024      | SPRING                   | 1    |
| 165      | 104256      | 5/16-18 NYLOC NUT        | 1    |
| 166      | 106258      | 5/16 FLAT WASHER         | 1    |
| 167      | 363177      | 3/8 PUSH NUT             | 1    |
| 168      | 363165      | #3 HAIRPIN COTTER        | 1    |
| 17       | 423146      | BRAKE CRANK              | 1    |
| 18       | 423276      | PARK BRAKE SHOE          | 2    |
| 19       | 423281      | BRAKE SPRING             | 2    |
| 20       | 423275      | WHEEL HUB                | 1    |
| 202      | 103014      | 1/2-20 UNF PRESS IN STUD | 5    |
| 21       | 423310      | BRAKE TRIM 1 180         | 1    |
| 22       | 104511      | 3/4-16 HEX NUT           | 1    |
| 23       | 103023      | 1/2-20 LUG NUT           | 1    |
| 25       | 363105      | INLET BUSHING            | 1    |
| 26       | 363029      | 3/2 ROD SWIVEL           | 1    |
| 27       | 100501      | 1/4-28 X 1/2 HCS         | 1    |
| 28       | 822070      | BRAKE LEVER W/GRIP       | 1    |
| 281      | 363022      | GRIP                     | 1    |
| 29       | 823132      | PARK BRAKE LINK          | 1    |
| 30       | 363165      | #3 HAIRPIN COTTER        | 1    |
| 31       | 153045      | 5/16 PUSH NUT            | 1    |
| 32       | 106250      | 3/8 STD FLAT WASHER      | 1    |
| 33       | 100305      | 3/8-16 X 4-1/2 HCS       | 1    |
| 36       | 592066      | BRAKE CONTROL LH         | 1    |
| 37       | 422112      | CCV BACK PLATE - BRAKE   | 1    |
| 38       | 422110      | BRAKE CONTROL RH         | 1    |



# Tail Wheel Components

## TAIL WHEEL ASSEMBLIES

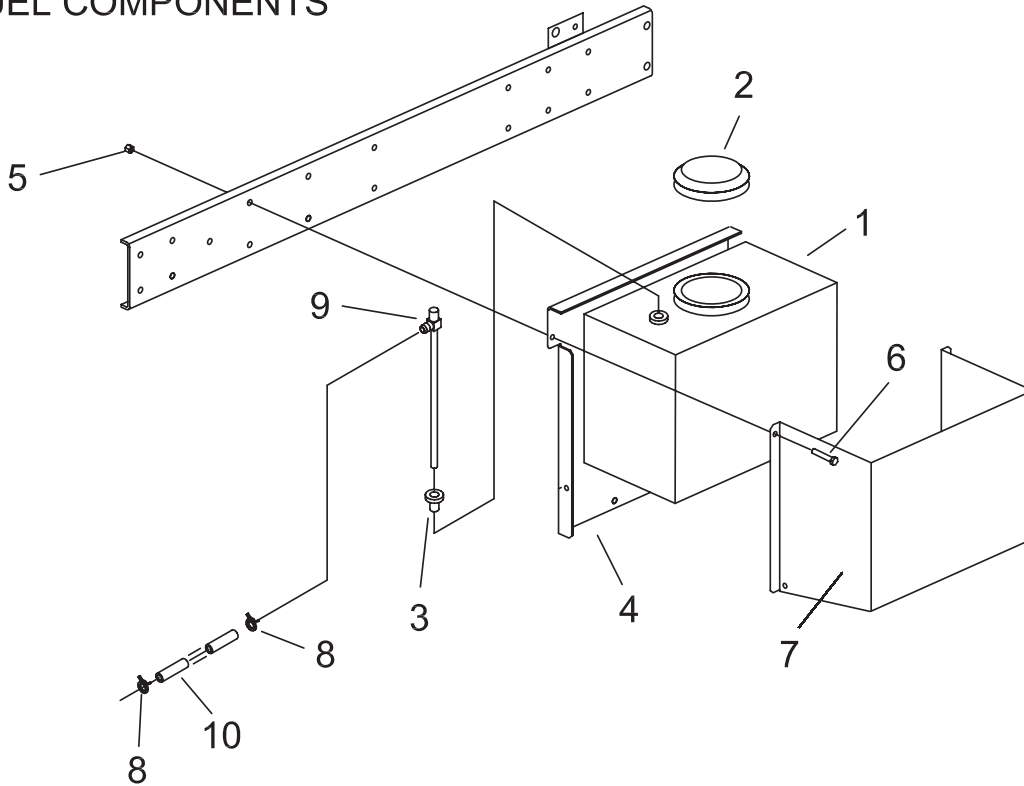


| #  | PART NUMBER | QTY. | DESCRIPTION             | #  | PART NUMBER | QTY. | DESCRIPTION                 |
|----|-------------|------|-------------------------|----|-------------|------|-----------------------------|
| 1  | 822086      | 1    | ROCKER TAIL WHEEL FRAME | 13 | 111005      | 4    | 1/8" NPT ZERK               |
| 2  | 822134      | 1    | ROCKER AXLE             | 14 | 363145      | 3    | 1" CLAMP COLLAR             |
| 3  | 363187      | 10   | DRIVE WHEEL BEARING     | 15 | 823217      | 1    | PIVOT TUBE (RTW)            |
| 4  | 100350      | 1    | 5/8"-11 X 8" HEX BOLT   | 16 | 822016      | 1    | TAIL WHEEL FRAME (SW)       |
| 5  | 104261      | 1    | 5/8"-11 NYLON NUT       | 17 | 823338      | 1    | 6 X 5 3/4" RIM W/VALVE STEM |
| 6  | 105268      | 1    | 5/8" FLAT WASHER        | 18 | 822088      | 1    | WIDE TAIL WHEEL STRUT       |
| 7  | 522097      | 1    | 13" STRUT               | 19 | 823220      | 1    | WIDE TAIL WHEEL             |
| 8  | 100348      | 2    | 5/8"-11 X 7" HEX BOLT   | 20 | 100352      | 1    | 5/8"-11 X 9" HEX BOLT       |
| 9  | 123049      | 1    | 13-5.00 X 6" TIRE       | 21 | 823245      | 1    | AXLE TUBE (WTW)             |
| 10 | 523098      | 2    | AXLE TUBE               | 22 | 823339      | 1    | 13-6.50 X 6 TIRE            |
| 11 | 523302      | 4    | WHEEL BEARING           | 23 | 583171      | 2    | FLAT WASHER                 |
| 12 | 523280      | 1    | WHEEL COMPLETE          | 24 | 105501      | 2    | WAVY WASHER                 |



# Fuel Components

## FUEL COMPONENTS



28hp A/C Kaw

| ITEM NUMBER | PART NUMBER | QUANTITY | DESCRIPTION                       |
|-------------|-------------|----------|-----------------------------------|
| 1           | 823178      | 1        | FUEL TANK                         |
| 2           | 823179      | 1        | LARGE FUEL CAP                    |
| 3           | 393042      | 1        | GROMMET                           |
| 4           | 823291      | 1        | FUEL TANK CHANNEL                 |
| 5           | 104256      | 4        | 5/16"-18 NYLOC NUT                |
| 6           | 100271      | 4        | 5/16"-18 X 3/4" HEX BOLT          |
| 7           | 822060      | 1        | GAS TANK BRACKET                  |
| 8           | 363098      | 2        | GAS LINE CLAMP                    |
| 9           | 823181      | 1        | VALVE DROP TUBE                   |
| 10          | 823307      | 1        | 1/4" FUEL LINE - 45" LG (28KAWAC) |

27hp L/Q Kaw

| ITEM NUMBER | PART NUMBER | QUANTITY | DESCRIPTION                        |
|-------------|-------------|----------|------------------------------------|
| 1           | 823178      | 1        | FUEL TANK                          |
| 2           | 823179      | 1        | LARGE FUEL CAP                     |
| 3           | 393042      | 1        | GROMMET                            |
| 4           | 823291      | 1        | FUEL TANK CHANNEL                  |
| 5           | 104256      | 4        | 5/16"-18 NYLOC NUT                 |
| 6           | 100271      | 4        | 5/16"-18 X 3/4" HEX BOLT           |
| 7           | 822060      | 1        | GAS TANK BRACKET                   |
| 8           | 523185      | 2        | GAS LINE CLAMP                     |
| 9           | 823180      | 1        | VALVE DROP TUBE                    |
| 10          | 583523      | 1        | 5/16" FUEL LINE - 46" LG (27KAWLQ) |



# Decal List

DECAL LIST

| PART NUMBER | QTY. | DESCRIPTION                 | PART NUMBER | QTY. | DESCRIPTION                  |
|-------------|------|-----------------------------|-------------|------|------------------------------|
| 423176      | 1    | Park Lever Decal            | 823325      | 1    | Thrown Objects Danger Decal  |
| 523020      | 1    | Light Decal                 | 823327      | 1    | Discharge Danger Decal       |
| 823259      | 1    | Deck Tilt Decal             | 823326      | 1    | Discharge Warning Decal      |
| 423155      | 1    | Rider Caution Decal         | 823260      | 1    | Cutting Height Decal         |
| 823322      | 2    | Rotating Parts Danger Decal | 823324      | 1    | Shield Danger Decal          |
| 823320      | 1    | Battery Warning Decal       | 523467      | 1    | Pro 52 Decal                 |
| 823319      | 1    | Tip Over Decal              | 363243      | 1    | Small Encore Label           |
| 823318      | 1    | Fuel Tank Decal             | 583088      | 1    | Prowler Black Decal          |
| 583076      | 2    | Prowler Decal               | 583192      | 1    | Pro 61 Decal                 |
| 363265      | 1    | Small Encore Logo           | 423196      | 1    | Belt Routing Decal           |
| 823321      | 1    | Operating Warning Decal     | 823323      | 1    | Rotating Parts Warning Decal |

# Notes

---

# Notes

---

# Notes

---

