

PARTS LIST

BL70-HA

CONTENTS

| | |
|---|----|
| 1. FRAME & BLOWER | 1 |
| 2. ENGINE (Cylinder, Crankcase) | 5 |
| 3. ENGINE (Carburetor, Fuel Tank) | 9 |
| 4. ACCESSORIES | 13 |
| 5. OPTIONAL PARTS | 15 |

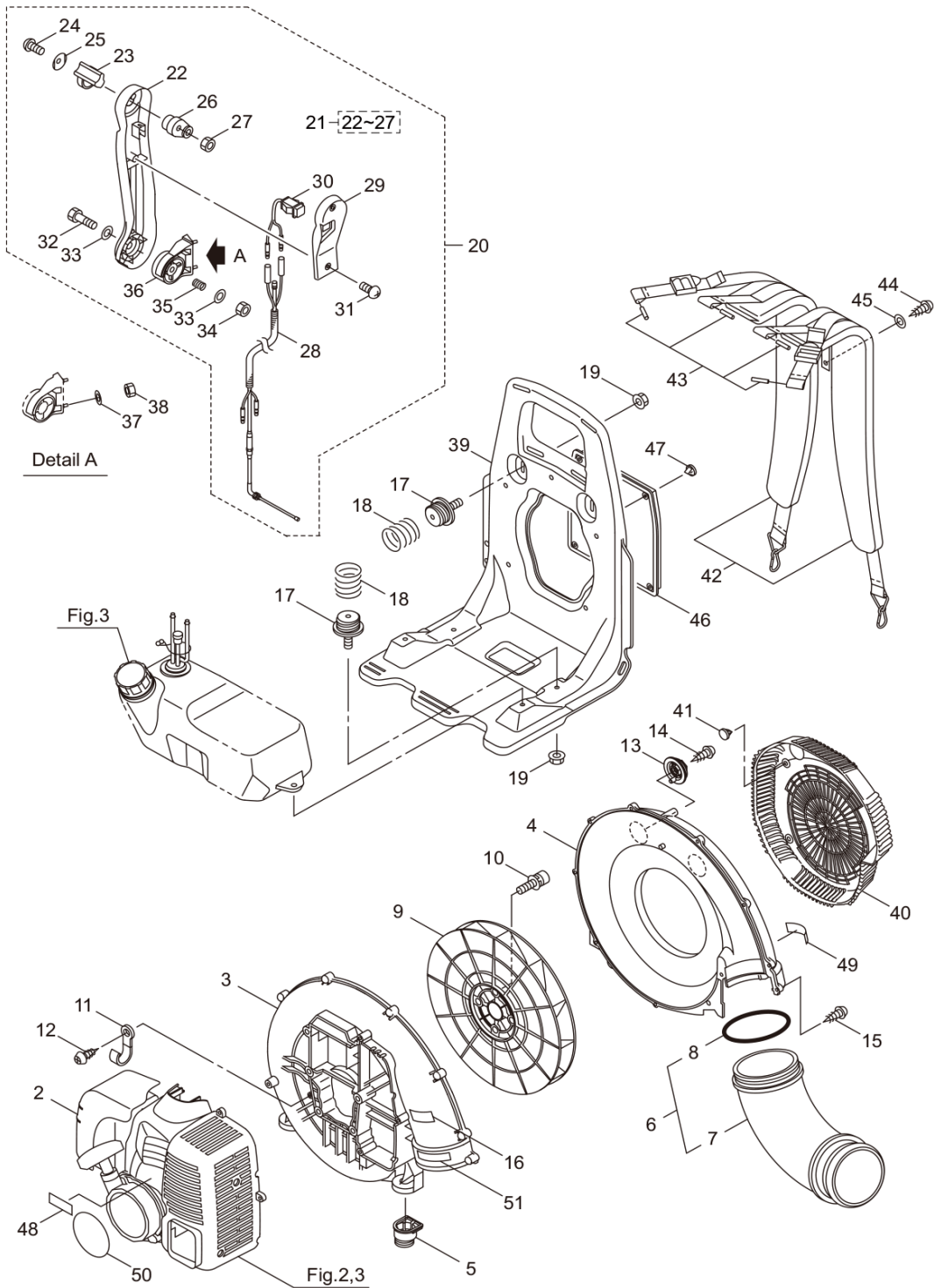
2021. 07.



MARUYAMA

P/N 525223

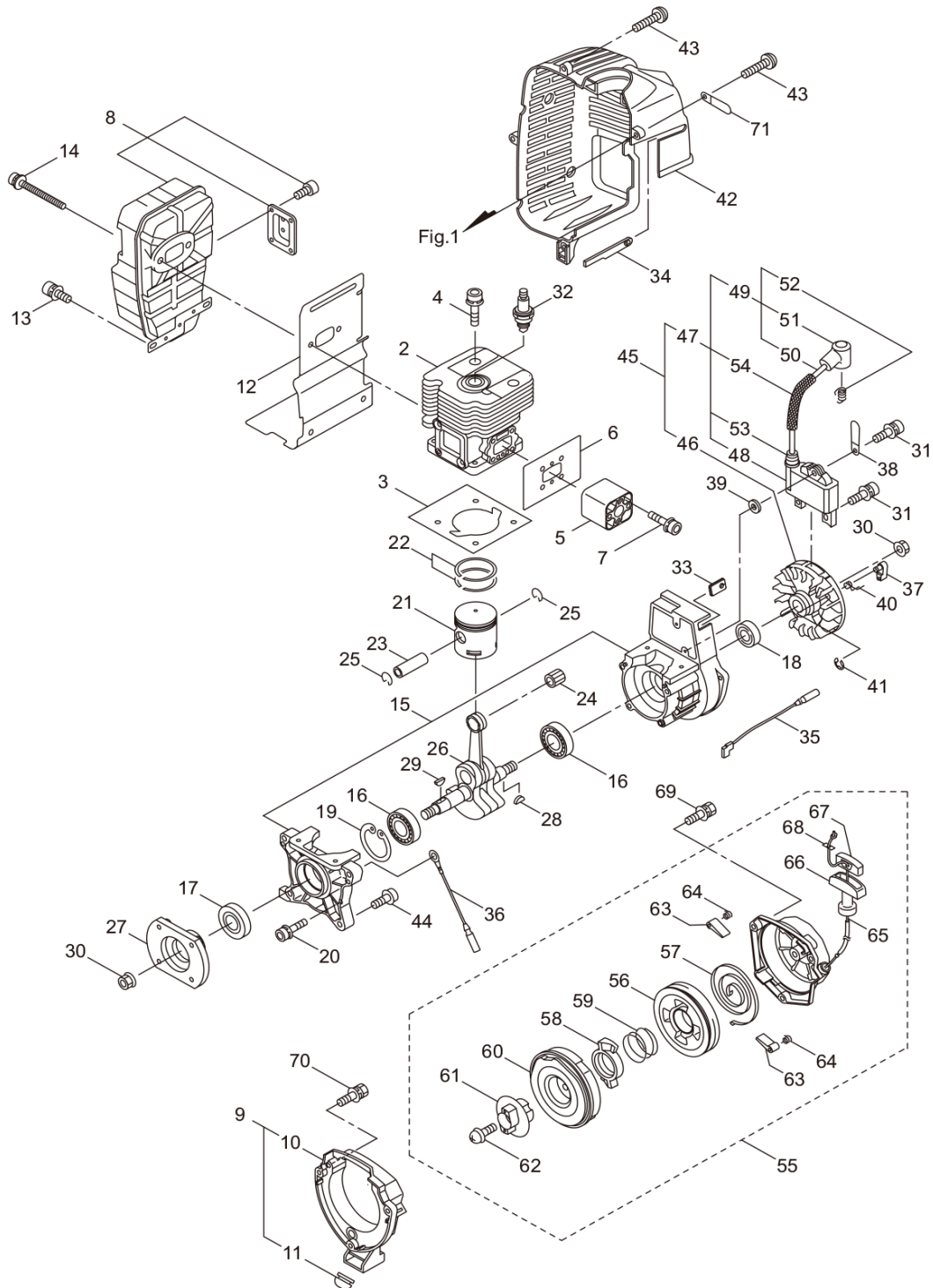
BL70-HA
1. FRAME & BLOWER



| Status | Position | Parts Number | Parts Name | Unit Quantity | Set Unit Quantity | Specification | Remarks | Maker code |
|--------|----------|--------------|-----------------|---------------|-------------------|---------------|----------|------------|
| | 1 | 395884 | BL70-HA(MUS) | 1 | | | | |
| | 2 | 247930 | ENGINE CE600/01 | 1 | | BL70 | CE600/01 | |

| Status | Position | Parts Number | Parts Name | Unit Quantity | Set Unit Quantity | Specification | Remarks | Maker code |
|--------|----------|------------------------|---------------------|---------------|-------------------|-----------------|---------------|------------|
| | 3 | 662413 | FAN CASE ASSY | 1 | | ﾌｶ | | |
| | 4 | 662415 | FAN CASE S | 1 | | ﾌｶ | | |
| | 5 | 662416 | PLUG C | 2 | | ｸﾞ BL70 | | |
| | 6 | 661894 | FLEXIBLE PIPE ASSY | 1 | | BL9000 | Incl.7,8 | |
| × | 7 | 661895 | | 1 | | ｸﾞ | | |
| | 8 | 275873 | <u>O-RING</u> | 1 | | V95 | V95 | |
| | 9 | 275874 | FAN | 1 | | ﾅﾁﾕﾗﾙ | | |
| | 10 | 275877 | BOLT | 4 | | M6X25(W12.5X1.6 | M6X25 | |
| | 11 | 109051 | CLAMP | 1 | 5 | | | |
| | 12 | 082697 | TAPPING SCREW | 1 | 10 | ﾅﾍﾞ 1ｼﾞｭM5X10 | M5x10 | |
| | 13 | 275966 | PLUG B | 2 | | ｸﾞ | | |
| | 14 | 127295 | SCREW(+) | 2 | 10 | ﾄﾗｽﾌﾟﾀｲﾄM5X16 | M5x16(P-type) | |
| | 15 | 130420 | TAPPING SCREW | 11 | | ﾅﾍﾞ IBﾀｲﾄM5X25 | M5x25 | |
| | 16 | 285188 | LABEL | 1 | | CAｽﾊﾟｰｸﾞｱﾚｽﾀｲｺｸ | | |
| | 17 | 275965 | PLUG A ASSY | 4 | | ｸﾞ | | |
| | 18 | 275967 | SPRING | 4 | | 2.9-50L | 2.9-50L | |
| | 19 | 127228 | NUT | 4 | 10 | M6(ﾑﾞ ｶﾞ ﾈﾀｲ18) | M6 | |
| | 20 | 663679 | THROTTLE ASSY | 1 | | BL70-HA | Incl.21-36 | |
| | 21 | 275970 | ARM ASSY | 1 | | BL9000HA | Incl.22-27 | |
| | 22 | 277464 | ARM | 1 | | BL9000HA | | |
| | 23 | 272721 | LEVER HANDLE | 1 | | ｽﾛｯﾄﾙﾚﾊﾞｰ | | |
| | 24 | 273211 | SCREW | 1 | | 5X18 | 5x18 | |
| | 25 | 272724 | WAVE WASHER | 1 | | ｽﾛｯﾄﾙﾚﾊﾞｰ | | |
| | 26 | 277466 | LINK | 1 | | BL9000HA | | |
| | 27 | 230662 | NYLON NUT | 1 | | M5 1ｼﾞｭ | M5 | |
| | 28 | 663680 | THROTTLE WIRE ASSY | 1 | | BL70-HA | | |
| | 29 | 663682 | Arm Cover | 1 | | BL70-HA | | |
| | 30 | 660684 | STOP SWITCH ASSY | 1 | | ﾛｯｯｶｰ-SW | | |
| | 31 | 235679 | SCREW | 2 | | | | |
| | 32 | 089976 | BOLT | 1 | 5 | M8X45 | M8x45 | |
| | 33 | 550131 | WASHER | 2 | 10 | M8 ﾐｶﾞｷﾏﾙ ｸﾞ | M8 | |
| | 34 | 107581 | NYLON NUT | 1 | | M8 2ｼﾞｭ ﾕｽｶﾞﾀ | M8 | |
| | 35 | 278237 | SPRING | 1 | | | 1.8-35L | |
| | 36 | 275971 | HOLDER | 1 | | BL9000HA | | |
| | 37 | 127210 | WASHER | 2 | 5 | 5.3X16XT1.6 | 5.3x16xt1.6 | |
| | 38 | 560343 | | 2 | | M5 | M5 | |
| | 39 | 275898 | FRAME | 1 | | | | |
| | 40 | 662418 | GUARD | 1 | | | | |
| | 41 | 100749 | FASTNER | 5 | 5 | ﾓﾋﾞ 7 | #7 | |
| | 42 | 661897 | BACK PACK BAND ASSY | 1 | | | | |
| | 43 | 660404 | PIN | 4 | | | | |
| | 44 | 127295 | SCREW(+) | 1 | 10 | ﾄﾗｽﾌﾟﾀｲﾄM5X16 | M5x16(P-type) | |
| | 45 | 127210 | WASHER | 1 | 5 | 5.3X16XT1.6 | 5.3x16xt1.6 | |
| | 46 | 276460 | PAD | 1 | | | | |
| | 47 | 100749 | FASTNER | 4 | 5 | ﾓﾋﾞ 7 | #7 | |
| | 48 | 662560 | LABEL | 1 | | BL70-SP | BL70-SP | |
| | 49 | 663101 | LABEL | 1 | | ｼﾞｭｵﾝ 76DB | | |
| | 50 | 663108 | RECOIL LABEL | 1 | | 66 CER600 | | |
| | 51 | 266959 | LABEL | 1 | | CEｺｰｼﾞｮﾝ | Caution | |

BL70-HA
2. ENGINE (Cylinder, Crankcase)

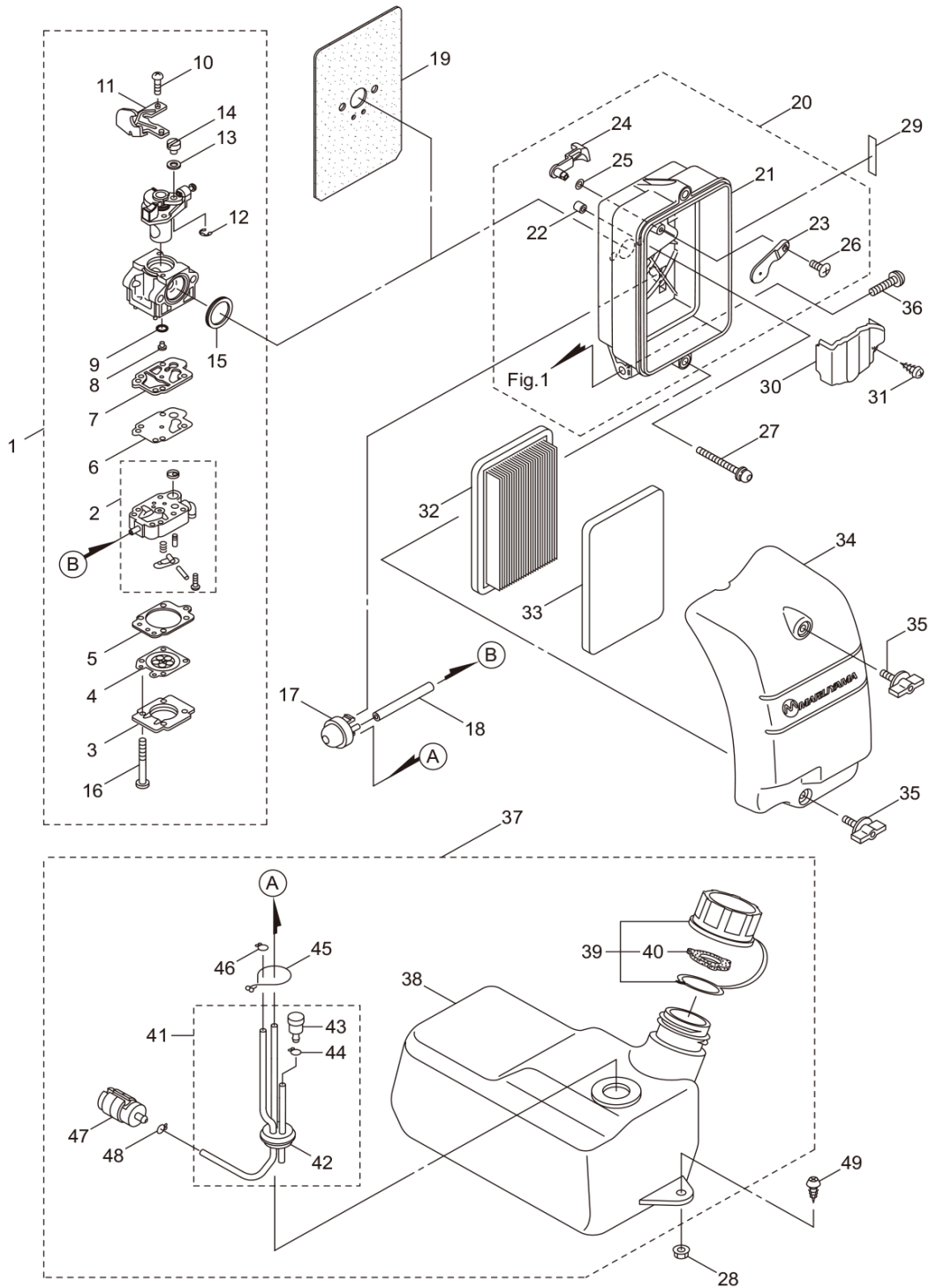


| Status | Position | Parts Number | Parts Name | Unit Quantity | Set Unit Quantity | Specification | Remarks | Maker code |
|--------|----------|---------------|-----------------|---------------|-------------------|---------------|----------|------------|
| | <u>1</u> | 247930 | ENGINE CE600/01 | <u>1</u> | | BL70 | CE600/01 | |
| | <u>2</u> | <u>279708</u> | CYLINDER COMP. | <u>1</u> | | | | |
| | <u>3</u> | <u>279737</u> | GASKET | <u>1</u> | | S-2310 T1.5 | | |

| Status | Position | Parts Number | Parts Name | Unit Quantity | Set Unit Quantity | Specification | Remarks | Maker code |
|--------|----------|------------------------|--------------------------|---------------|-------------------|----------------------------|---------------------------|------------|
| | 4 | 261246 | CAP SCREW | 4 | 5 | M5X25 | M5x25 | |
| | 5 | 276109 | INSURATOR | 1 | | | | |
| | 6 | 276110 | GASKET | 1 | | | | |
| | 7 | 277832 | BOLT | 4 | | | M5x30 | |
| | 8 | 247995 | MUFFLER ASSY | 1 | | コイル 247995 | | |
| | 9 | 279413 | ADAPTER ASSY | 1 | | | Incl.10,11 | |
| | 10 | 279026 | | 1 | | | | |
| | 11 | 288192 | GROMMET | 1 | | | | |
| | 12 | 276111 | GASKET | 1 | | | | |
| | 13 | 261607 | CAP SCREW | 2 | 5 | M5X16WSW | M5x16 | |
| | 14 | 276154 | BOLT | 2 | | M6X70 | M6x70 | |
| | 15 | 279696 | CRANKCASE | 1 | | | | |
| | 16 | 276117 | BEARING | 2 | | 6302C3E | | |
| | 17 | 276118 | OIL SEAL | 1 | | ISCD15428グリス入り | | |
| | 18 | 262565 | OIL SEAL | 1 | | ISCD15257 | ISCD15257 | |
| | 19 | 276119 | CIRCLIP | 1 | | アサヒ42 | | |
| | 20 | 234636 | BOLT | 4 | | M5X35 WSW | M5x35 | |
| | 21 | 278872 | PISTON | 1 | | | | |
| | 22 | 279736 | PISTON RING | 2 | | 43 1.8 1.3 | | |
| | 23 | 278924 | PISTON PIN | 1 | | | | |
| | 24 | 278471 | NEEDLE BEARING | 1 | | KBK12X15X14.3X5 | KBK12x15x14.3x5 | |
| | 25 | 276122 | CIRCLIP | 2 | | | | |
| | 26 | 278873 | CRANKSHAFT/CONN ROD ASSY | 1 | | | | |
| | 27 | 663401 | ADAPTER | 1 | | | | |
| | 28 | 261076 | WOODRUFF KEY 3X10 | 1 | 5 | Aシロ 3X10 | 3x10 | |
| | 29 | 261076 | WOODRUFF KEY 3X10 | 1 | 5 | Aシロ 3X10 | 3x10 | |
| | 30 | 276302 | NUT | 2 | | | | |
| | 31 | 281211 | CAP SCREW M4X20 | 2 | 5 | M4X20WSW | M4x20 | |
| | 32 | 285982 | SPARK PLUG(BPM8Y) | 1 | | NGK BPM8Y | NGK BPM8Y | |
| | 33 | 279721 | GROMMET | 1 | | ワリウエ | | |
| | 34 | 279851 | GROMMET | 1 | | | | |
| | 35 | 279575 | LEAD | 1 | | 245B ^ハ HCBH | | |
| | 36 | 279576 | LEAD | 1 | | 75BM6HCBH | | |
| | 37 | 279069 | PAWL | 2 | | | | |
| | 38 | 279636 | CLAMP | 1 | | | | |
| | 39 | 289481 | SPACER | 2 | 5 | 10X4.3T2.0 | | |
| | 40 | 262637 | RETURN SPRING | 2 | | | | |
| | 41 | 262638 | E-RING | 2 | | | | |
| | 42 | 662559 | TOP COVER | 1 | | アカ | | |
| | 43 | 131523 | TAPPING SCREW | 4 | | ハ イシロM5X20 | M5x20 | |
| | 44 | 275877 | BOLT | 4 | | M6X25(W12.5X1.6) | M6X25 | |
| △ | 45 | 246208 | | 1 | | MHJ/EX-6452A | Incl.46-54 | |
| | 46 | 246209 | ROTOR/FAN | 1 | | | | |
| | 47 | 279505 | IGNITION COIL ASSY | 1 | | CDI | Incl.48-54 | |
| | 48 | 246060 | | 1 | | 181-792 | | |
| | 49 | 246051 | SPARK PLUG WIRE ASSY | 1 | | 94-1895 | Incl.50-52 | |
| | 50 | 246052 | CABLE | 1 | | 94-1894 | | |
| | 51 | 283178 | PLUG CAP | 1 | | 141-509 | | |
| | 52 | 272805 | CONNECTOR | 1 | | ES-23261 | | |
| | 53 | 283271 | CAP | 1 | | 31-71 | | |
| | 54 | 246053 | TIBE | 1 | | 17-534 | | |
| | 55 | 279023 | RECOIL STARTER ASSY | 1 | | | Incl.56-68 | |
| | 56 | 280994 | PULLEY | 1 | | | | |
| | 57 | 280995 | SPIRAL SPRING | 1 | | | | |
| | 58 | 280996 | PAWL | 1 | | | | |
| | 59 | 280997 | RETURN SPRING | 1 | | | | |
| | 60 | 279366 | SPRING COMPLETE | 1 | | | | |
| | 61 | 280999 | PLATE | 1 | | | | |
| | 62 | 281000 | SET SCREW | 1 | | | | |
| | 63 | 281001 | RATCHET | 2 | | | | |
| | 64 | 281002 | RETURN SPRING | 2 | | | | |

| Status | Position | Parts Number | Parts Name | Unit Quantity | Set Unit Quantity | Specification | Remarks | Maker code |
|--------|----------|------------------------|--------------|---------------|-------------------|-----------------|---------|------------|
| | 65 | 279862 | STARTER ROPE | 1 | | | | |
| | 66 | 262633 | STARTER KNOB | 1 | | クワ | | |
| | 67 | 262981 | CAP | 1 | | クワ | | |
| | 68 | 281005 | ROPE STOPPER | 1 | | | | |
| | 69 | 284985 | SCREW | 3 | | M5*25L ムツクミドリ | M5x25 | |
| | 70 | 248474 | SCREW | 3 | | M5X18WSW-12 ムツク | M5x18 | |
| | 71 | 279636 | CLAMP | 1 | | | | |

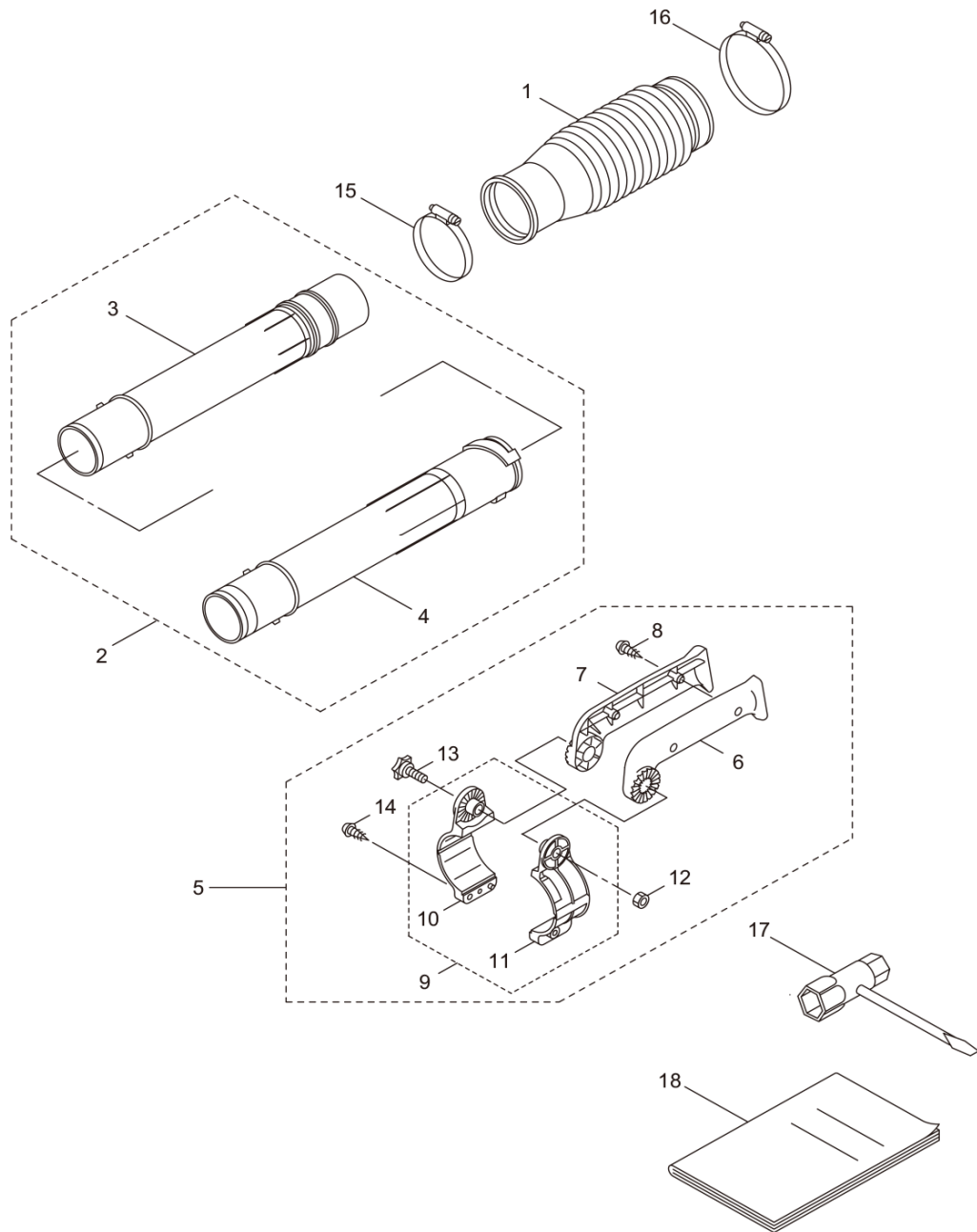
BL70-HA
 3. ENGINE (Carburetor, Fuel Tank)



| Status | Position | Parts Number | Parts Name | Unit Quantity | Set Unit Quantity | Specification | Remarks | Maker code |
|--------|----------|------------------------|-----------------|---------------|-------------------|---------------|-----------|------------|
| | 1 | 248002 | CARBURETOR ASSY | 1 | | WYK-548 | Incl.2-16 | |
| | 2 | 283124 | CARBURETOR BODY | 1 | | WB5-7437 | | |
| | 3 | 263726 | COVER PLATE | 1 | | WB21-158 | | |

| Status | Position | Parts Number | Parts Name | Unit Quantity | Set Unit Quantity | Specification | Remarks | Maker code |
|--------|----------|------------------------|---------------------|---------------|-------------------|--|-------------|------------|
| | 4 | 283905 | DIAPHRAGM METERRING | 1 | | WB95-614 | | |
| | 5 | 263727 | GASKET | 1 | | WB92-192 | | |
| | 6 | 262994 | DIAPHRAGM | 1 | | WB95-99 | | |
| | 7 | 282576 | GASKET | 1 | | WB92-415 | | |
| | 8 | 248368 | JET | 1 | | WB112-3070-485L | | |
| | 9 | 261871 | O-RING | 1 | | WB16-104 | | |
| | 10 | 261875 | SCREW | 2 | | WB96-323 | | |
| | 11 | 248327 | BRACKET | 1 | | WB167-164 | | |
| | 12 | 261876 | RING | 1 | | WB16-71 | | |
| | 13 | 264678 | WASHER | 1 | 5 | WB136-221 | | |
| | 14 | 261658 | SWIVEL | 1 | | WB52-34 | | |
| | 15 | 261657 | PACKING | 1 | | WB16-171 | | |
| | 16 | 263737 | SCREW | 4 | | WB96-325 | | |
| | 17 | 282299 | PRIMER | 1 | | | | |
| | 18 | 279029 | PIPE | 1 | | 2.38X4.76X120L | | |
| | 19 | 276134 | GASKET | 1 | | | | |
| | 20 | 248004 | CASE ASSY | 1 | | | Incl.21-26 | |
| × | 21 | 248005 | Air Filter Case | 1 | | | | |
| × | 22 | 248006 | Sleeve | 2 | | | | |
| × | 23 | 248007 | VALVE | 1 | | | | |
| × | 24 | 248008 | LEVER | 1 | | | | |
| | 25 | 284816 | WASHER | 1 | 5 | 6.4X11X0.15 | 6.4x11x0.15 | |
| | 26 | 269032 | SCREW | 1 | 5 | タツビ [®] ネジ [®] 3.5X8 | | |
| | 27 | 274106 | BOLT | 2 | | M5X55WSWボ [®] | M5x55 | |
| | 28 | 125277 | NUT | 2 | 5 | ナイロン [®] レコト [®] ソリ | M6 | |
| | 29 | 277762 | LABEL | 1 | | チヨーク | | |
| | 30 | 248009 | PLATE | 1 | | | | |
| | 31 | 248393 | SCREW | 1 | | トラス1 [®] ソコM3.5X14 | 3.5x14 | |
| | 32 | 248011 | AIR CLEANER | 1 | | | | |
| | 33 | 248010 | ELEMENT | 1 | | HR-50/ウトラ | | |
| | 34 | 248013 | CLEANER COVER | 1 | | | | |
| | 35 | 279350 | KNOB | 2 | | | | |
| | 36 | 131523 | TAPPING SCREW | 1 | | パ [®] イ2 [®] ソコM5X20 | M5x20 | |
| | 37 | 663628 | FUEL TANK ASSY | 1 | | エハ [®] ボ [®] | Incl.38-48 | |
| | 38 | 278428 | FUEL TANK | 1 | | | | |
| | 39 | 131319 | TANK CAP ASSY | 1 | | | Incl.40 | |
| | 40 | 287058 | PACKING | 1 | | | | |
| | 41 | 663792 | PIPE ASSY | 1 | | | Incl.42-44 | |
| | 42 | 268065 | GROMMET | 1 | | 37ナ | | |
| | 43 | 261590 | BREATHER SUB ASSY | 1 | | | | |
| | 44 | 261117 | CLIP | 1 | | | | |
| | 45 | 131328 | CLAMP | 1 | | OLS-115 | | |
| | 46 | 261117 | CLIP | 1 | | | | |
| | 47 | 247107 | FUEL FILTER ASSY | 1 | | | | |
| | 48 | 261117 | CLIP | 1 | | | | |
| | 49 | 127221 | SCREW | 2 | 5 | M6X16 | M6x16 | |

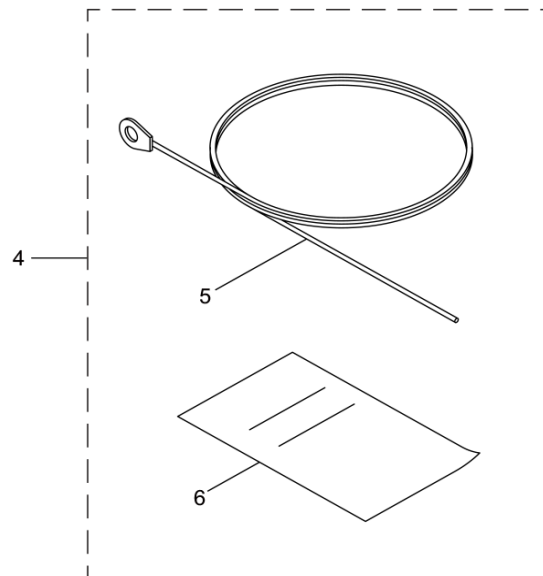
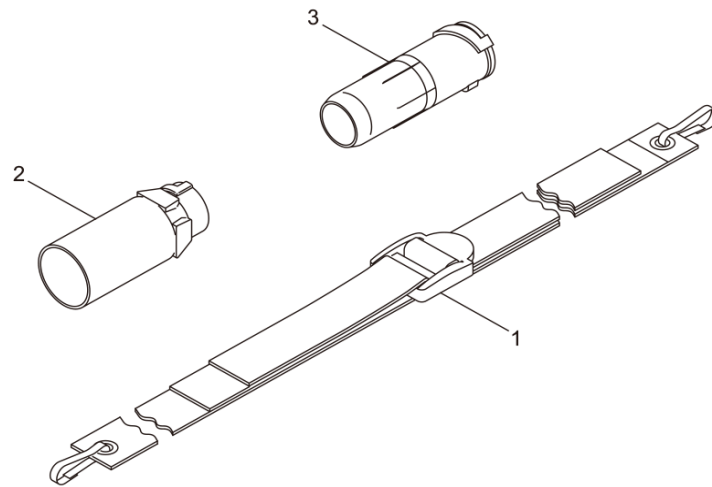
BL70-HA
4. ACCESSORIES



| Status | Position | Parts Number | Parts Name | Unit Quantity | Set Unit Quantity | Specification | Remarks | Maker code |
|--------|----------|------------------------|---------------|---------------|-------------------|---------------|----------|------------|
| | 1 | 662555 | FLEXIBLE PIPE | 1 | | | | |
| | 2 | 127724 | FLEXIBLE PIPE | 1 | | MD180DX | Incl.3,4 | |
| | 3 | 122395 | SWIVEL PIPE | 1 | | ㊦ | | |

| Status | Position | Parts Number | Parts Name | Unit Quantity | Set Unit Quantity | Specification | Remarks | Maker code |
|--------|----------|------------------------|--------------------|---------------|-------------------|------------------|------------|------------|
| | 4 | 122400 | STRAIGHT PIPE | 1 | | 510L ｸﾞｯ | 510L | |
| | 5 | 663113 | GRIP ASSY | 1 | | BL70-HA | Incl.6-14 | |
| | 6 | 275974 | GRIP A | 1 | | | | |
| | 7 | 275976 | GRIP B | 1 | | | | |
| | 8 | 235679 | SCREW | 2 | | | | |
| | 9 | 662407 | BAND ASSY | 1 | | | Incl.10,11 | |
| | 10 | 662408 | BAND A | 1 | | ｸﾞｯ | | |
| | 11 | 662410 | BAND B | 1 | | ｸﾞｯ | | |
| | 12 | 127298 | NUT M6 | 1 | 5 | M6 2ｼﾞ | M6 | |
| | 13 | 276459 | KNOB BOLT | 1 | | KGB M6X40 | M6x40 | |
| | 14 | 130420 | TAPPING SCREW | 1 | | ﾀﾞﾍﾞ IBﾀｲﾄ M5X25 | M5x25 | |
| | 15 | 130207 | CLAMP ASSY | 1 | | ｺﾞﾙ 85 | #85 | |
| | 16 | 130208 | CLAMP ASSY | 1 | | ｺﾞﾙ 105 | #105 | |
| | 17 | 662598 | <u>Box</u> Spanner | 1 | | 13X19(-)L116 | | |
| | 18 | 662552 | Instruction Manual | 1 | | BL70(MUS) | BL70 | |

BL70-HA
5. OPTIONAL PARTS



| Status | Position | Parts Number | Parts Name | Unit Quantity | Set Unit Quantity | Specification | Remarks | Maker code |
|--------|----------|------------------------|---------------------------|---------------|-------------------|---------------|---------|------------|
| | 1 | 125439 | HIP BELT ASSY | 1 | | | | |
| | 2 | 131870 | TORNADO TIP BLOWER NOZZLE | 1 | | | | |
| | 3 | 125146 | CONE PIPE | 1 | | ㇏ | | |

| Status | Position | Parts Number | Parts Name | Unit Quantity | Set Unit Quantity | Specification | Remarks | Maker code |
|--------|----------|------------------------|--------------------|---------------|-------------------|---------------------------|-----------|------------|
| | 4 | 664018 | EARTH KIT | 1 | | | Incl.5,6 | |
| | 5 | 663923 | Earth Code | 1 | | 1.0X2200L | 1.0x2200L | |
| | 6 | 663924 | Instruction Manual | 1 | | 664018 ヨウ | | |