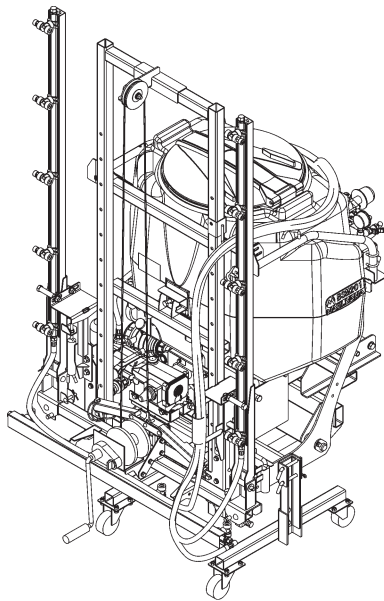


# PARTS LIST

BSM201-2JP/BSM201-3JP



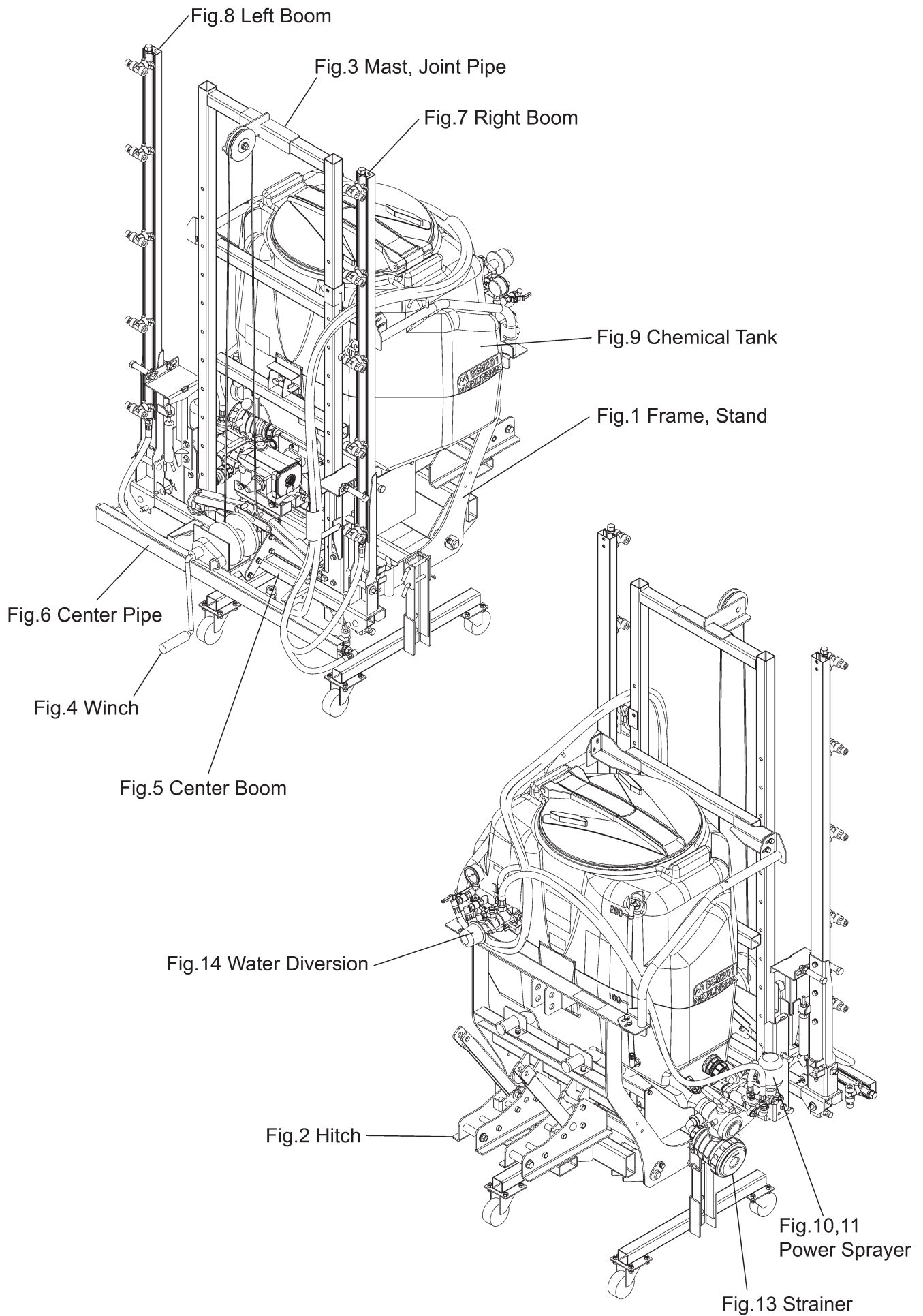
2015.05.



**MARUYAMA**

P/N 523967

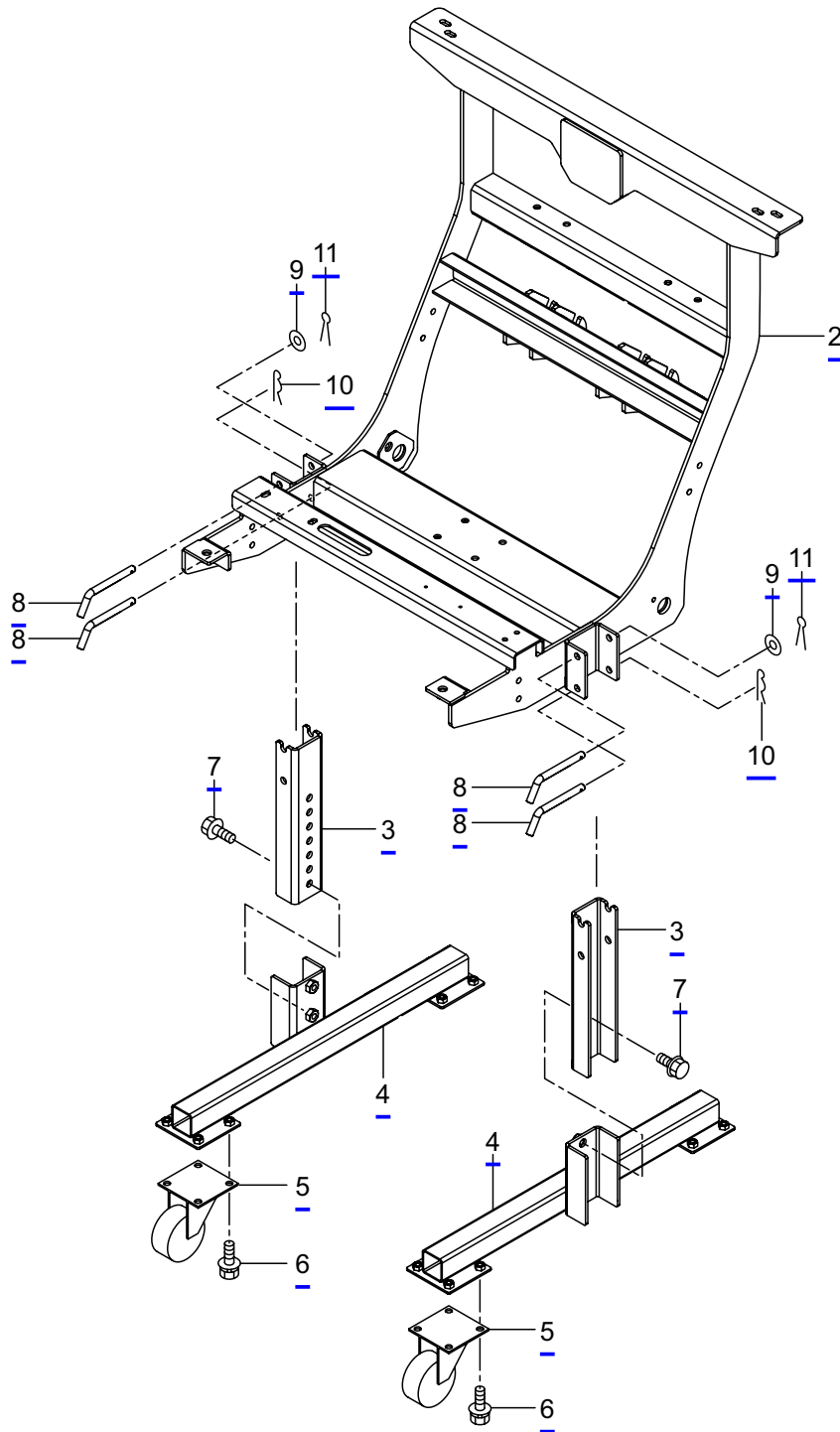
# BSM201-2JP/BSM201-3JP NAMES OF THE PARTS



# CONTENTS

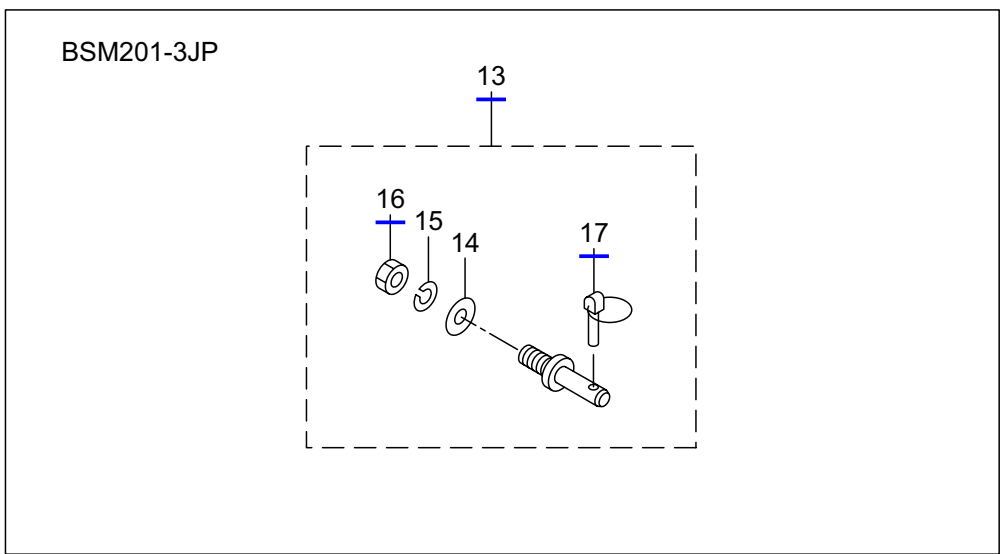
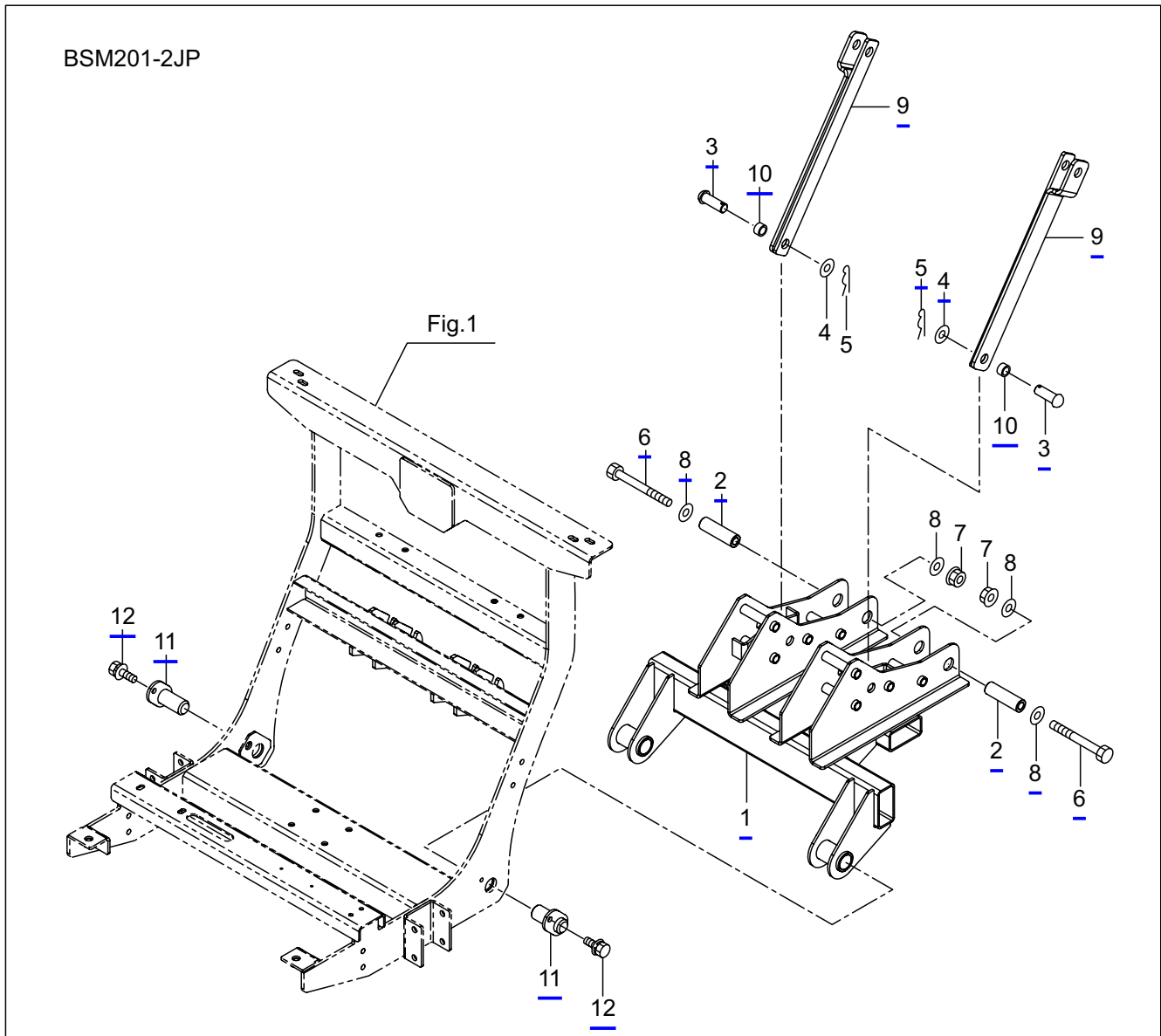
1.FRAME, STAND.....	4
2.HITCH .....	6
3.MAST, JOINT PIPE .....	8
4.WINCH.....	10
5.CENTER BOOM.....	12
6.CENTER PIPE.....	14
7.RIGHT BOOM .....	16
8.LEFT BOOM.....	18
9.CHEMICAL TANK .....	20
10.POWER SPRAYER-1.....	22
11.POWER SPRAYER-2.....	26
12.DRIVEN UNIT.....	28
13.STRAINER.....	30
14.WATER DIVERSION.....	32
15.CHEMICAL PIPING.....	34
16.LABEL.....	36
17.ACCESSORIES.....	38
18.OPTION-1.....	40
19.OPTION-2.....	42
20.OPTION-3.....	46

1. BSM201-2JP/BSM201-3JP  
FRAME, STAND



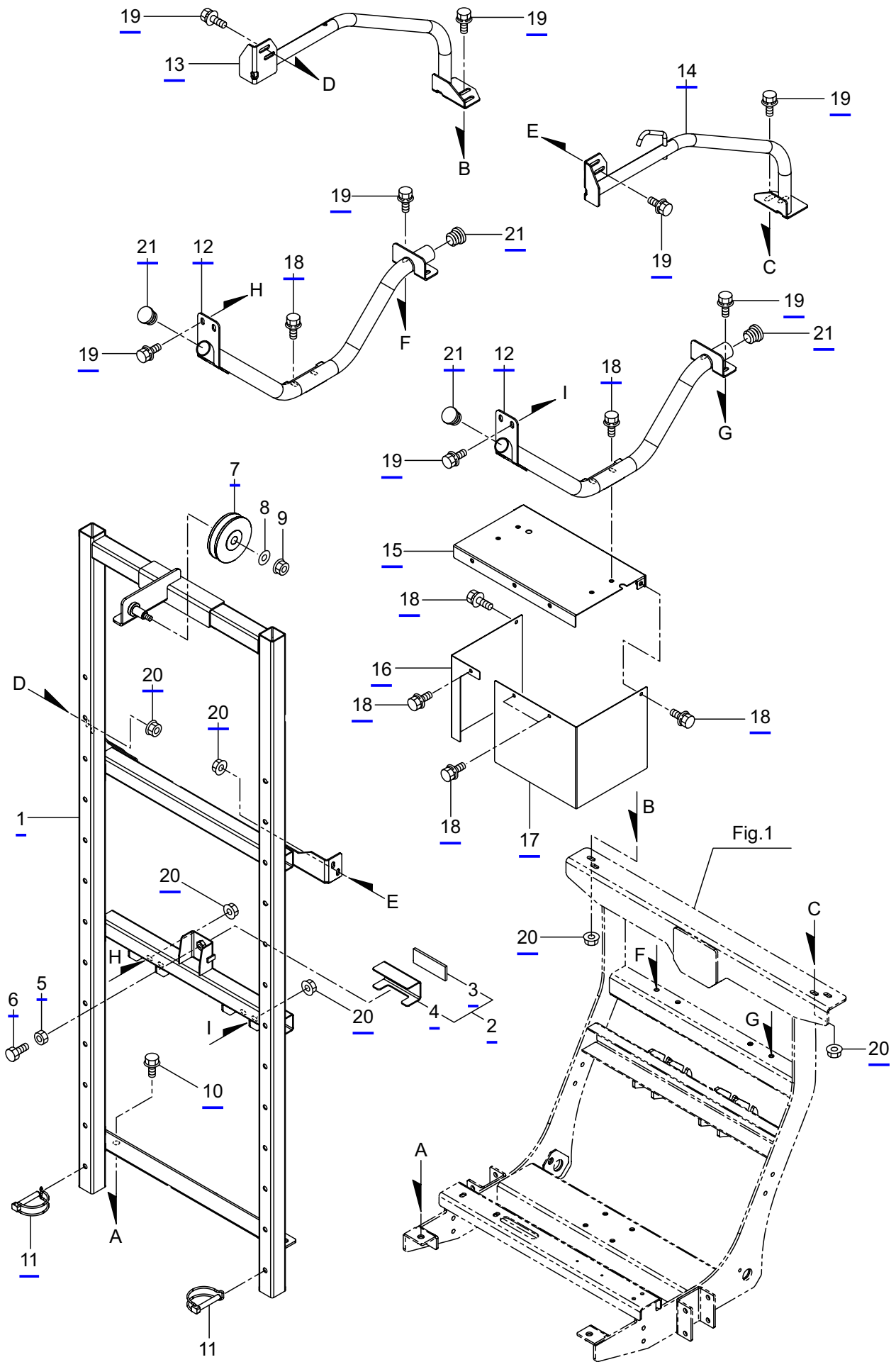
Ref. No.	Parts No.	Parts Name	Q'ty		Remarks
			2JP	3JP	
1-1	<a href="#">328269</a>	BSM201-2JP	1		
1-1	<a href="#">328270</a>	BSM201-3JP		1	
1-2	<a href="#">567416</a>	Frame Ass'y	1	1	
1-3	<a href="#">567466</a>	Stay	2	2	
1-4	<a href="#">567467</a>	Square Pipe Comp.	2	2	
1-5	<a href="#">567819</a>	Caster	4	4	
1-6	<a href="#">567173</a>	Bolt(Hex)WSW	16	16	M8X20
1-7	<a href="#">567065</a>	Flange Bolt(Hex)	4	4	M10X25(2)
1-8	<a href="#">567030</a>	Stand Pin	4	4	
1-9	<a href="#">567028</a>	Washer	2	2	10.5X22XT3.2
1-10	<a href="#">567031</a>	Snap Pin	2	2	12X2.6
1-11	<a href="#">567140</a>	Split Pin	2	2	3X28

2. BSM201-2JP/BSM201-3JP  
HITCH



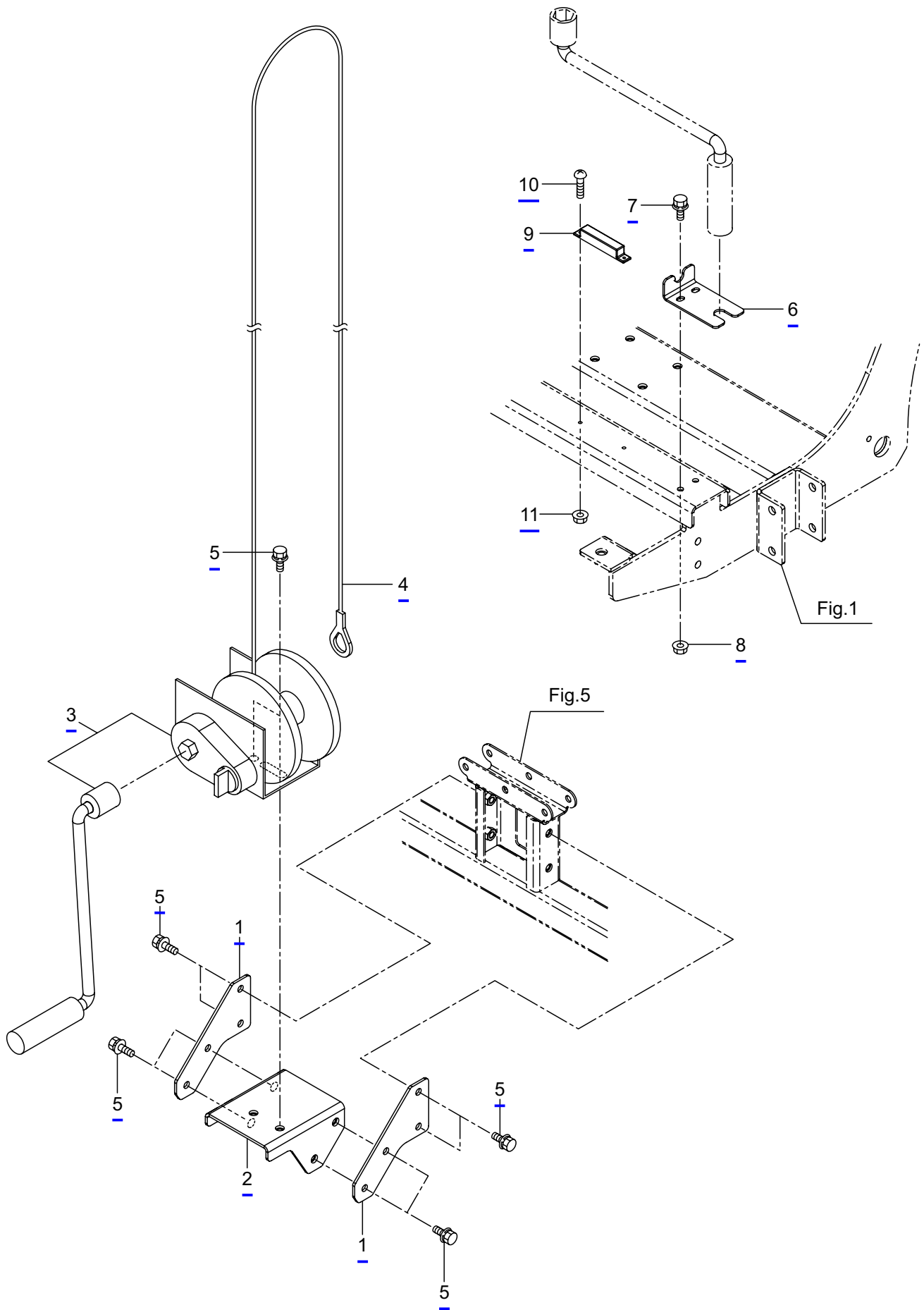
Ref. No.	Parts No.	Parts Name	Q'ty		Remarks
			2JP	3JP	
2-1	<a href="#">567435</a>	Frame Comp.	1		
2-2	<a href="#">567446</a>	Collar	2		
2-3	<a href="#">567447</a>	Round Rivet	2		16X45L
2-4	567074	Washer	2		17X30XT3
2-5	<a href="#">567031</a>	Snap Pin	2		12X2.6
2-6	567448	Bolt(Hex)	2		M12X90X30
2-7	567048	Flange Nut(Hex)	2		M12(2)
2-8	567152	Washer	4		12.5X26XT2.3
2-9	567449	Bracket Comp.	2		
2-10	567452	Collar	2		
2-11	567453	Pin Comp.	2		
2-12	<a href="#">567173</a>	Bolt(Hex)WSW	2		M8X20
2-13	567016	Pin Ass'y		2	Incl.14-17
2-14	567018	Washer		2	22.5X44XT3.2
2-15	567019	Spring Washer		2	M22(2)
2-16	567020	Nut(Hex)		2	M22X1.5(1)
2-17	567021	Pin.set		2	

3. BSM201-2JP/BSM201-3JP  
MAST, JOINT PIPE



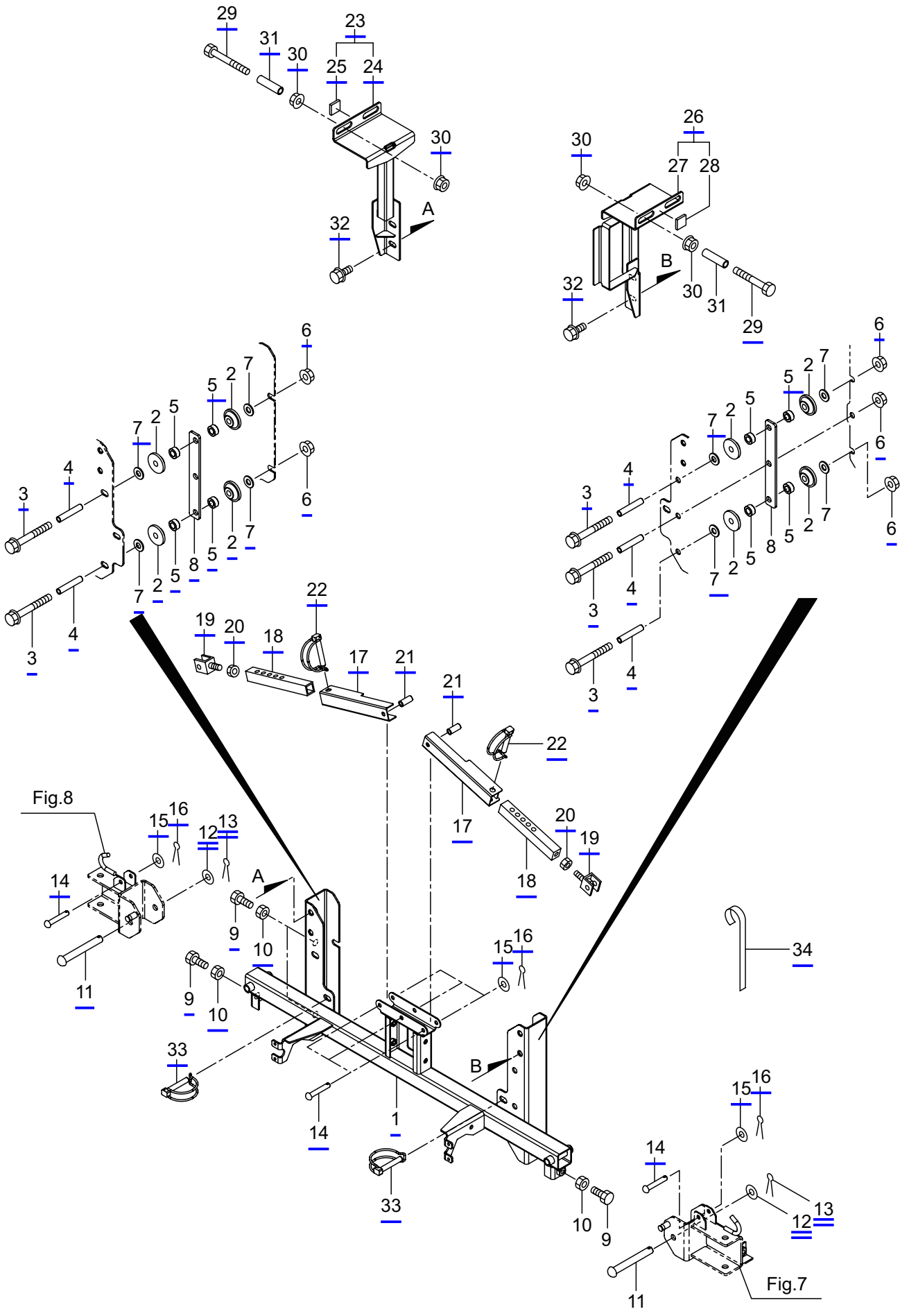
Ref. No.	Parts No.	Parts Name	Q'ty		Remarks
			2JP	3JP	
3-1	567603	Mast Comp.	1	1	
3-2	567618	Bracket Ass'y	1	1	Incl.3,4
3-3	567619	Packing	1	1	
3-4	567620	Bracket Comp.	1	1	
3-5	<u>567143</u>	Nut(Hex)	1	1	M10(2)
3-6	<u>567461</u>	Bolt(Hex)	1	1	M10X35
3-7	567614	Wire Roller	1	1	
3-8	<u>567028</u>	Washer	1	1	10.5X22XT3.2
3-9	567064	Flange Nut(Hex)	1	1	M10(2)
3-10	<u>567065</u>	Flange Bolt(Hex)	2	2	M10X25(2)
3-11	<u>567141</u>	Shaft Lock Pin	2	2	
3-12	567489	Pipe Comp.	2	2	
3-13	567494	Pipe Comp.	1	1	
3-14	567497	Pipe Comp.	1	1	
3-15	567500	Stay Comp.	1	1	
3-16	567501	Cover	1	1	
3-17	567502	Cover	1	1	
3-18	<u>567092</u>	Bolt(Hex)WSW	9	9	M6X16
3-19	<u>567173</u>	Bolt(Hex)WSW	16	16	M8X20
3-20	567095	Flange Nut(Hex)	12	12	M8(2)
3-21	567404	Cap	4	4	

4. BSM201-2JP/BSM201-3JP  
WINCH



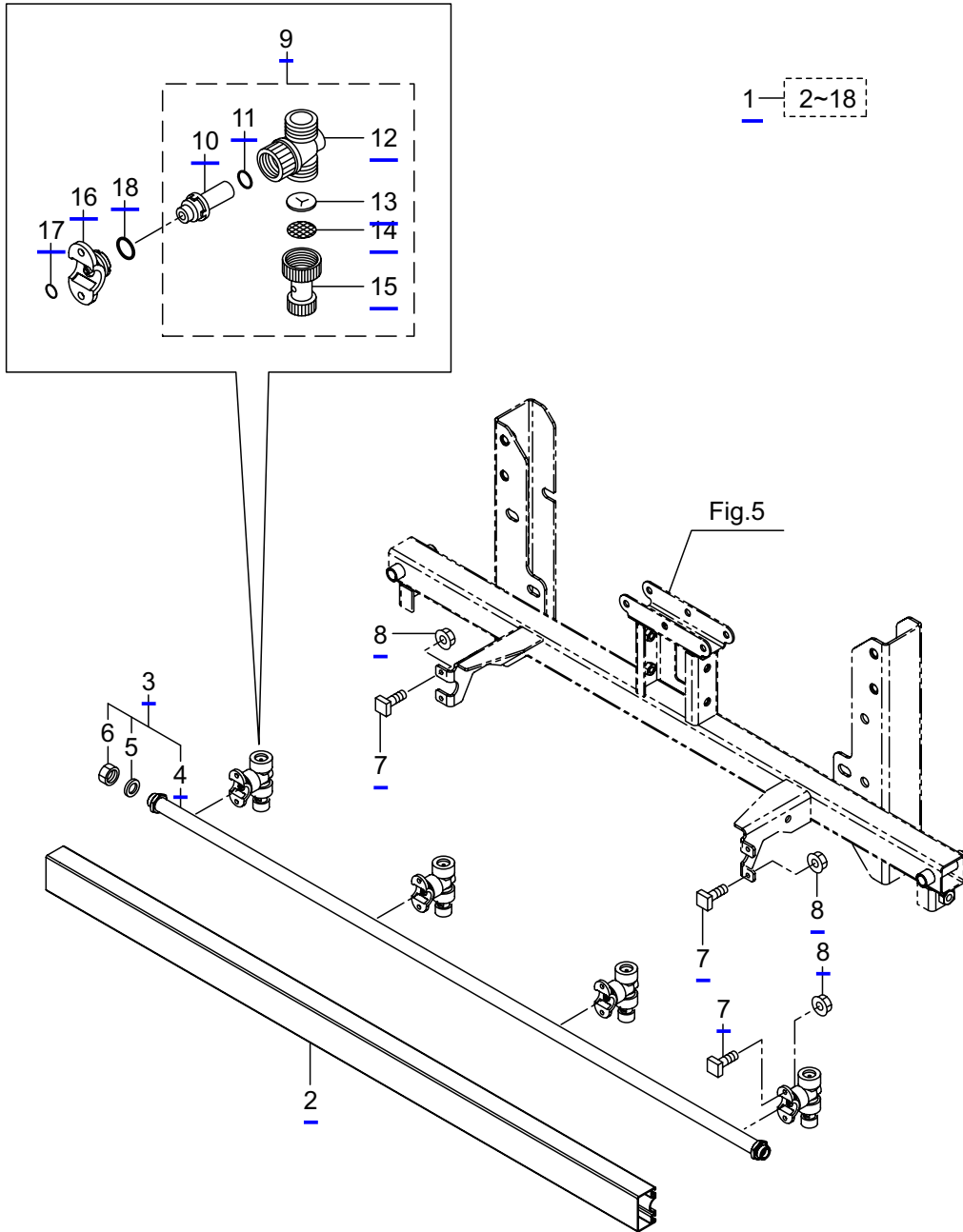
Ref. No.	Parts No.	Parts Name	Q'ty		Remarks
			2JP	3JP	
4-1	<a href="#">567623</a>	Plate	2	2	
4-2	<a href="#">567624</a>	Stay Comp.	1	1	
4-3	<a href="#">567626</a>	Hand Winch	1	1	
4-4	<a href="#">567627</a>	Winch Wire	1	1	4X3.4M
4-5	<a href="#">567173</a>	Bolt( <a href="#">Hex</a> )WSW	10	10	M8X20
4-6	567821	Stay	1	1	
4-7	567092	Bolt( <a href="#">Hex</a> )WSW	2	2	M6X16
4-8	567508	Flange Nut( <a href="#">Hex</a> )	2	2	M6(2)
4-9	<a href="#">175457</a>	Magnet Catch	1	1	
4-10	867365	Screw	2	2	M3X16
4-11	180140	Nut	2	2	M3

5. BSM201-2JP/BSM201-3JP  
CENTER BOOM



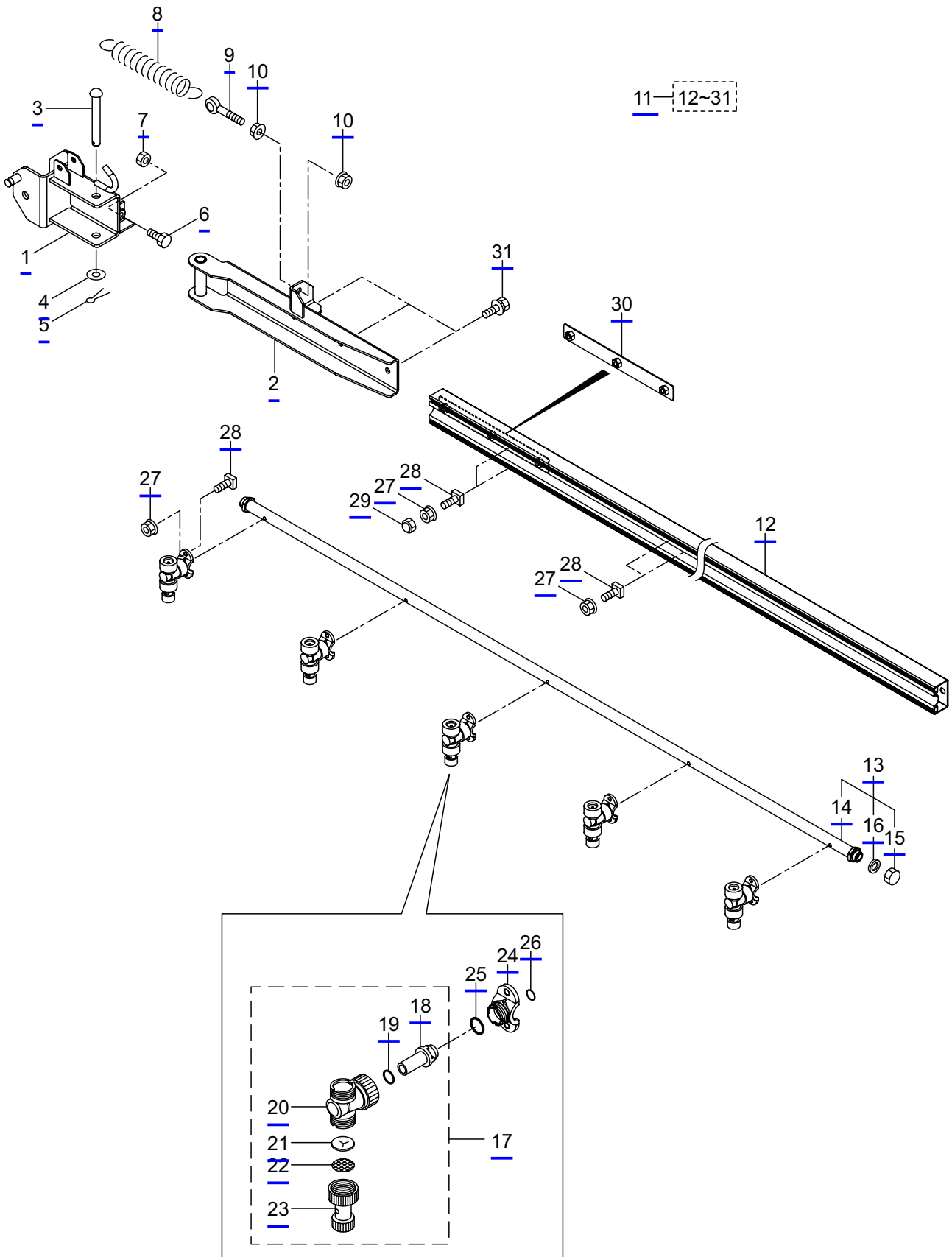
Ref. No.	Parts No.	Parts Name	Q'ty		Remarks
			2JP	3JP	
5-1	567540	Center Boom Comp.	1	1	
5-2	567552	Roller	8	8	
5-3	881099	Bolt	5	5	M8X75
5-4	567554	Collar	5	5	8.8X12X64L
5-5	567555	Collar	8	8	
5-6	567095	Flange Nut(Hex)	5	5	M8(2)
5-7	567152	Washer	8	8	12.5X26XT2.3
5-8	567556	Plate	2	2	
5-9	567142	Bolt(Hex)	4	4	M10X45
5-10	<u>567143</u>	Nut(Hex)	4	4	M10(2)
5-11	<u>567151</u>	Round Rivet	2	2	12X92.5L
5-12	567152	Washer	2	2	12.5X26XT2.3
5-13	<u>567140</u>	Split Pin	2	2	3X28
5-14	567557	Round Rivet	5	5	8X48L
5-15	567156	Washer	5	5	8.5X18XT1.6
5-16	<u>567140</u>	Split Pin	5	5	3X28
5-17	<u>567558</u>	Stay Comp.	2	2	
5-18	<u>567562</u>	Square Pipe Comp.	2	2	
5-19	<u>567565</u>	Bolt Comp.	2	2	
5-20	<u>567143</u>	Nut(Hex)	2	2	M10(2)
5-21	<u>567566</u>	Collar	2	2	8.8X12X28L
5-22	<u>567141</u>	Shaft Lock Pin	2	2	
5-23	567567	Square Pipe Ass'y	1	1	Incl.24,25
5-24	567569	Square Pipe Comp.	1	1	
5-25	567568	Packing	1	1	25X25XT5
5-26	567573	Square Pipe Ass'y	1	1	Incl.27,28
5-27	567574	Square Pipe Comp.	1	1	
5-28	567568	Packing	1	1	25X25XT5
5-29	567448	Bolt(Hex)	4	4	M12X90X30
5-30	567048	Flange Nut(Hex)	8	8	M12(2)
5-31	567285	Hose	4	4	11.5X16X60L
5-32	<u>567065</u>	Flange Bolt(Hex)	4	4	M10X25(2)
5-33	<u>567141</u>	Shaft Lock Pin	2	2	
5-34	<u>862939</u>	Magic Band	2	2	

6. BSM201-2JP/BSM201-3JP  
CENTER PIPE



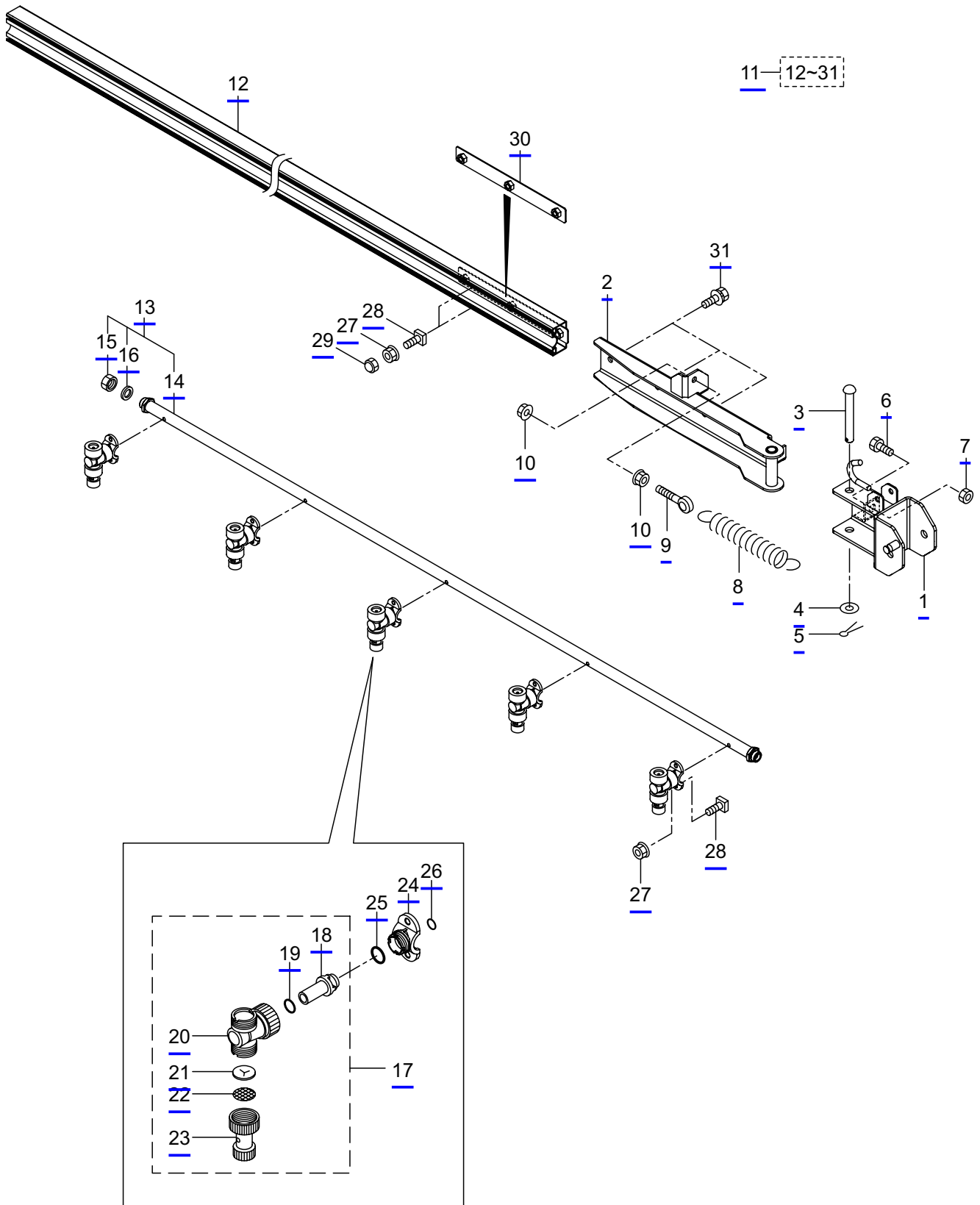
Ref. No.	Parts No.	Parts Name	Q'ty		Remarks
			2JP	3JP	
6-1	<a href="#">567548</a>	Boom Pipe Ass'y	1	1	Incl.2-18
6-2	<a href="#">567398</a>	Boom Pipe	1	1	
6-3	<a href="#">567549</a>	Spray Pipe Ass'y	1	1	Incl.4-6
6-4	<a href="#">567550</a>	Spray Pipe Comp.	1	1	
6-5	<a href="#">567530</a>	Packing	1	1	15X20.5XT2
6-6	<a href="#">567529</a>	Cap	1	1	G3/8
6-7	<a href="#">567170</a>	Bolt(Square)	12	12	M5X12
6-8	<a href="#">567171</a>	Flange Nut(Hex)	12	12	M5(1)
6-9	<a href="#">567402</a>	2 Direction Nozzle	4	4	Incl.10-15
6-10	<a href="#">177328</a>	Valve	4	4	
6-11	<a href="#">011373</a>	O-Ring	4	4	P-10
6-12	<a href="#">567218</a>	Nozzle Holder Ass'y	4	4	
6-13	<a href="#">180147</a>	Packing	4	4	
6-14	<a href="#">107489</a>	Strainer	4	4	
6-15	<a href="#">188492</a>	Nozzle	4	4	
6-16	<a href="#">567531</a>	Body	4	4	
6-17	<a href="#">022056</a>	O-Ring	4	4	P7
6-18	<a href="#">011345</a>	O-Ring	4	4	P-12

7. BSM201-2JP/BSM201-3JP  
RIGHT BOOM



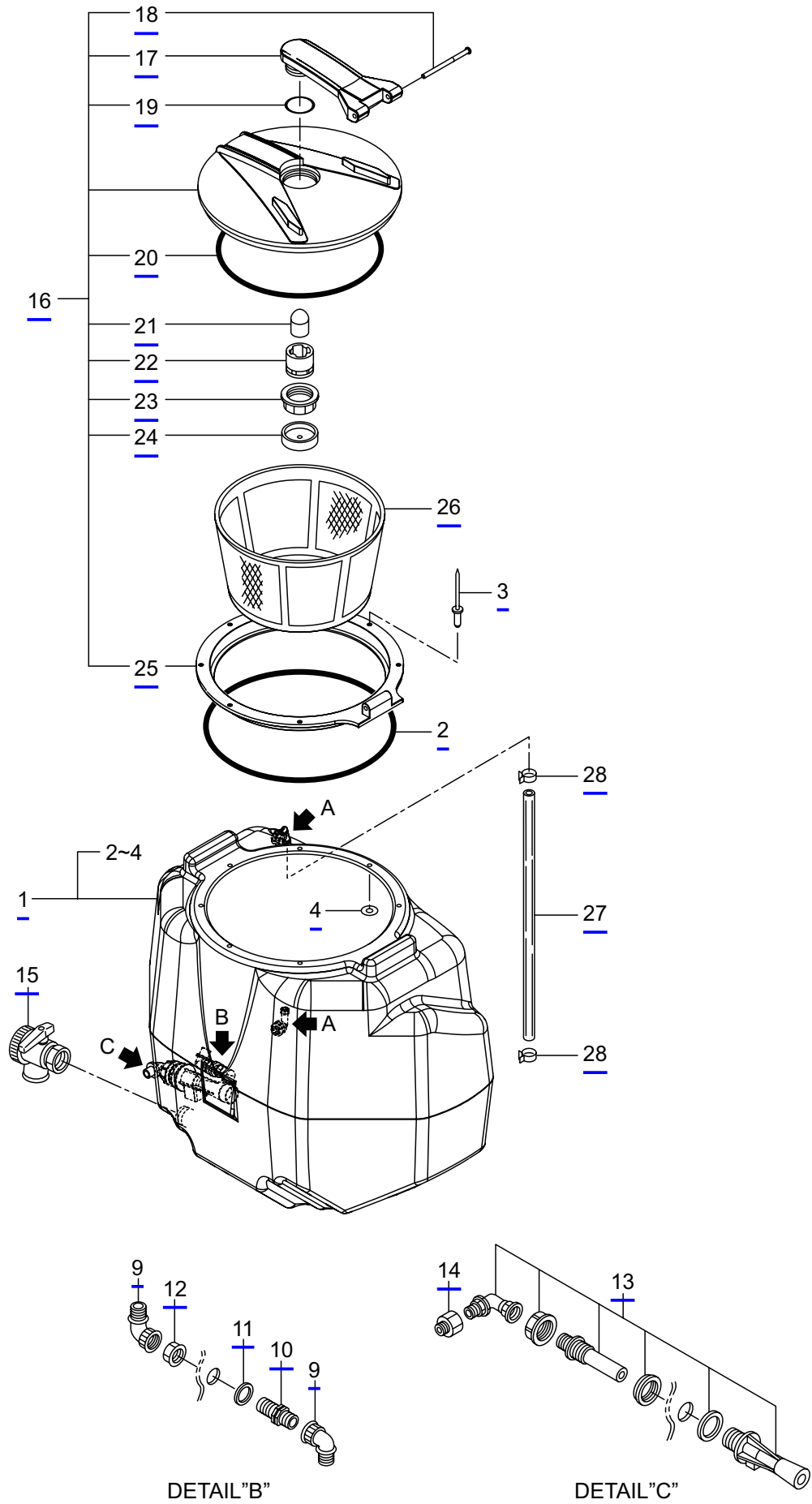
Ref. No.	Parts No.	Parts Name	Q'ty		Remarks
			2JP	3JP	
7-1	<a href="#">567510</a>	Bracket Comp.	1	1	
7-2	<a href="#">567517</a>	Bracket Comp.	1	1	
7-3	<a href="#">567151</a>	Round Rivet	1	1	12X92.5L
7-4	<a href="#">567152</a>	Washer	1	1	12.5X26XT2.3
7-5	<a href="#">567140</a>	Split Pin	1	1	3X28
7-6	<a href="#">567142</a>	Bolt(Hex)	1	1	M10X45
7-7	<a href="#">567143</a>	Nut(Hex)	1	1	M10(2)
7-8	<a href="#">567522</a>	Spring	1	1	
7-9	<a href="#">567155</a>	Swing Bolt	1	1	M8X1.25X58L
7-10	<a href="#">567095</a>	Flange Nut(Hex)	2	2	M8(2)
7-11	<a href="#">567826</a>	Side Boom Pipe Ass'y	1	1	Incl.12-31
7-12	<a href="#">567397</a>	Boom Pipe	1	1	
7-13	<a href="#">567524</a>	Spray Pipe Ass'y	1	1	Incl.14-16
7-14	<a href="#">567525</a>	Spray Pipe Comp.	1	1	
7-15	<a href="#">567529</a>	Cap	1	1	G3/8
7-16	<a href="#">567530</a>	Packing	1	1	15X20.5XT2
7-17	<a href="#">567402</a>	2 Direction Nozzle	5	5	Incl.18-23
7-18	<a href="#">177328</a>	Valve	5	5	
7-19	<a href="#">011373</a>	O-Ring	5	5	P-10
7-20	<a href="#">567218</a>	Nozzle Holder Ass'y	5	5	
7-21	<a href="#">180147</a>	Packing	5	5	
7-22	<a href="#">107489</a>	Strainer	5	5	
7-23	<a href="#">188492</a>	Nozzle	5	5	
7-24	<a href="#">567531</a>	Body	5	5	
7-25	<a href="#">011345</a>	O-Ring	5	5	P-12
7-26	<a href="#">022056</a>	O-Ring	5	5	P7
7-27	<a href="#">567171</a>	Flange Nut(Hex)	14	14	M5(1)
7-28	<a href="#">567170</a>	Bolt(Square)	14	14	M5X12
7-29	<a href="#">567532</a>	Cap Nut	2	2	M5(3)
7-30	<a href="#">567533</a>	Plate Nut	1	1	
7-31	<a href="#">567173</a>	Bolt(Hex)WSW	3	3	M8X20

8. BSM201-2JP/BSM201-3JP  
LEFT BOOM



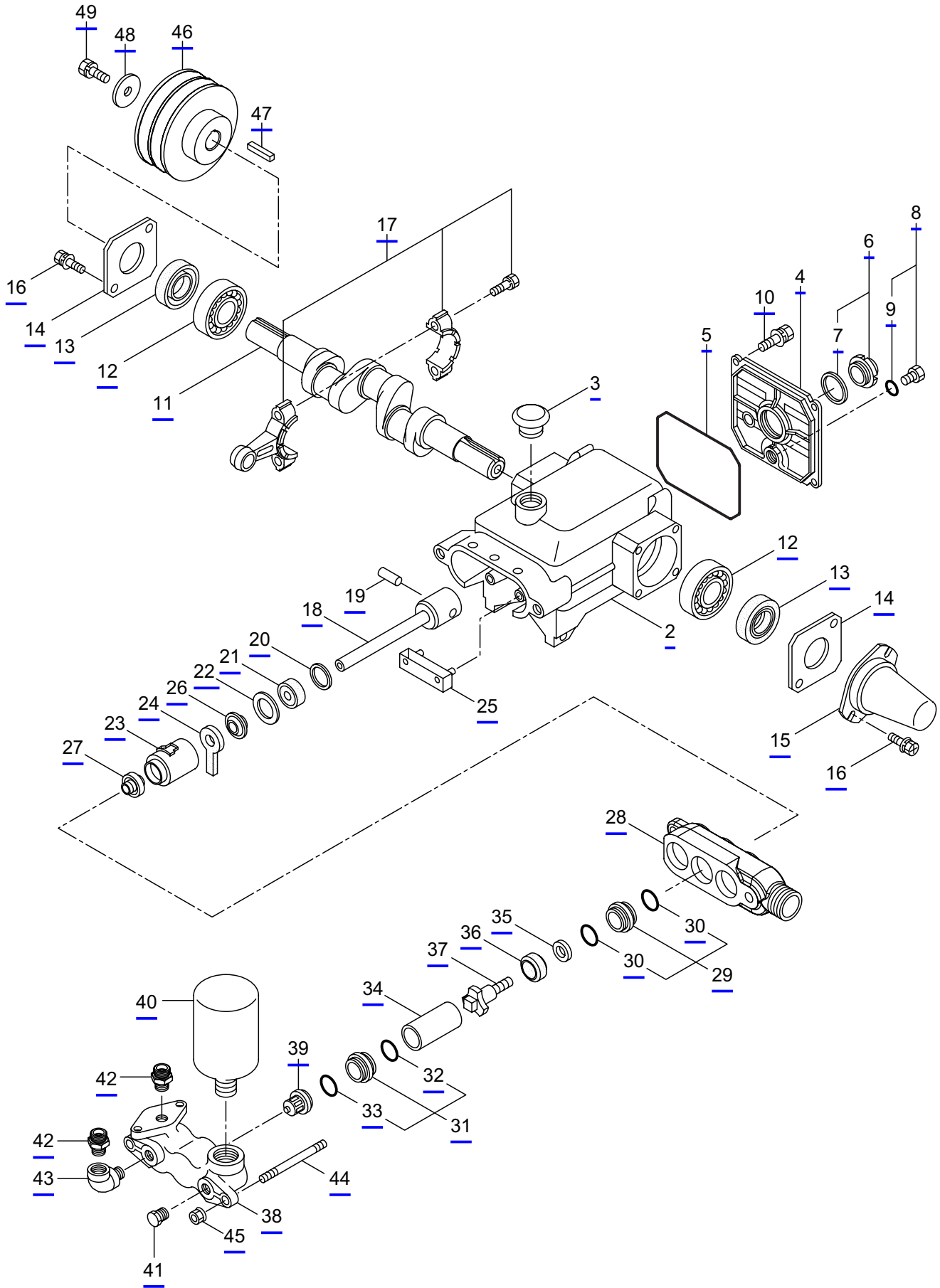
Ref. No.	Parts No.	Parts Name	Q'ty		Remarks
			2JP	3JP	
8-1	<a href="#">567535</a>	Bracket Comp.	1	1	
8-2	<a href="#">567537</a>	Bracket Comp.	1	1	
8-3	<a href="#">567151</a>	Round Rivet	1	1	12X92.5L
8-4	<a href="#">567152</a>	Washer	1	1	12.5X26XT2.3
8-5	<a href="#">567140</a>	Split Pin	1	1	3X28
8-6	<a href="#">567142</a>	Bolt(Hex)	1	1	M10X45
8-7	<a href="#">567143</a>	Nut(Hex)	1	1	M10(2)
<a href="#">8-8</a>	<a href="#">567522</a>	Spring	1	1	
8-9	<a href="#">567155</a>	Swing Bolt	1	1	M8X1.25X58L
8-10	<a href="#">567095</a>	Flange Nut(Hex)	2	2	M8(2)
8-11	<a href="#">567523</a>	Side Boom Pipe Ass'y	1	1	Incl.12-31
8-12	<a href="#">567397</a>	Boom Pipe	1	1	
8-13	<a href="#">567524</a>	Spray Pipe Ass'y	1	1	Incl.14-16
8-14	<a href="#">567525</a>	Spray Pipe Comp.	1	1	
8-15	<a href="#">567529</a>	Cap	1	1	G3/8
<a href="#">8-16</a>	<a href="#">567530</a>	Packing	1	1	15X20.5XT2
<a href="#">8-17</a>	<a href="#">567402</a>	2 Direction Nozzle	5	5	Incl.18-23
<a href="#">8-18</a>	<a href="#">177328</a>	Valve	5	5	
<a href="#">8-19</a>	<a href="#">011373</a>	O-Ring	5	5	P-10
8-20	<a href="#">567218</a>	Nozzle Holder Ass'y	5	5	
<a href="#">8-21</a>	<a href="#">180147</a>	Packing	5	5	
8-22	<a href="#">107489</a>	Strainer	5	5	
8-23	<a href="#">188492</a>	Nozzle	5	5	
8-24	<a href="#">567531</a>	Body	5	5	
8-25	<a href="#">011345</a>	O-Ring	5	5	P-12
8-26	<a href="#">022056</a>	O-Ring	5	5	P7
8-27	<a href="#">567171</a>	Flange Nut(Hex)	12	12	M5(1)
8-28	<a href="#">567170</a>	Bolt(Square)	12	12	M5X12
8-29	<a href="#">567532</a>	Cap Nut	2	2	M5(3)
8-30	<a href="#">567533</a>	Plate Nut	1	1	
8-31	<a href="#">567173</a>	Bolt(Hex)WSW	3	3	M8X20

9. BSM201-2JP/BSM201-3JP  
CHEMICAL TANK



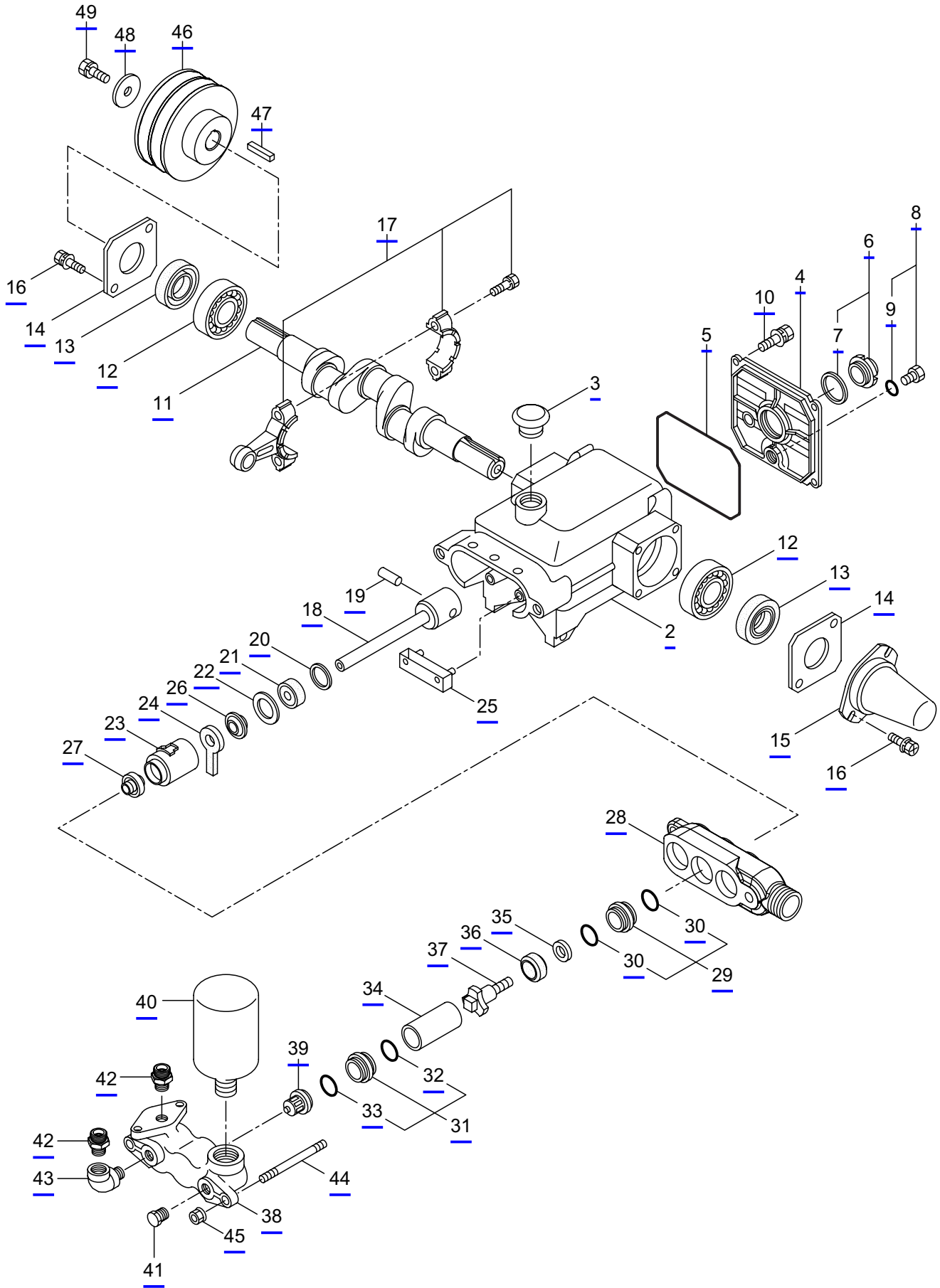
Ref. No.	Parts No.	Parts Name	Q'ty		Remarks
			2JP	3JP	
9-1	<u>567399</u>	Chemical Tank Ass'y	1	1	Incl.2-4
9-2	<u>172197</u>	Packing	1	1	
9-3	<u>567071</u>	Rivet	8	8	4.8X25L
9-4	<u>567072</u>	Washer	8	8	5.5X11.7XT0.8
9-5	<u>150772</u>	Elbow	2	2	
9-6	<u>150773</u>	Packing	2	2	17X25X4
9-7	<u>567074</u>	Washer	2	2	17X30XT3
<u>9-8</u>	<u>567075</u>	Nut(Hex)	2	2	G3/8
9-9	<u>688377</u>	Elbow	2	2	
9-10	<u>567076</u>	Nipple	1	1	
9-11	<u>567077</u>	Gasket	1	1	
9-12	<u>567078</u>	Lock Ring	1	1	
9-13	<u>567214</u>	Hydraulic Agitator	1	1	
9-14	<u>567079</u>	Extension	1	1	G1/2XG3/8
9-15	<u>567395</u>	3-Way Ball Valves	1	1	
9-16	<u>172203</u>	Water Inlet Lid Ass'y	1	1	Incl.17-25
9-17	<u>646624</u>	Arm	1	1	
9-18	<u>646625</u>	Pin	1	1	
9-19	<u>646626</u>	O-Ring	1	1	
9-20	<u>186835</u>	Packing	1	1	
9-21	<u>183682</u>	Float	1	1	
9-22	<u>646628</u>	Float Case	1	1	
9-23	<u>189950</u>	Nut	1	1	
9-24	<u>646629</u>	Float Cap	1	1	
9-25	<u>172196</u>	Nut Ring	1	1	
9-26	<u>162792</u>	Strainer	1	1	
9-27	<u>567486</u>	Vinyl Hose	1	1	12X16X510L
9-28	<u>567220</u>	Wire Clip	2	2	

10. BSM201-2JP/BSM201-3JP  
POWER SPRAYER-1



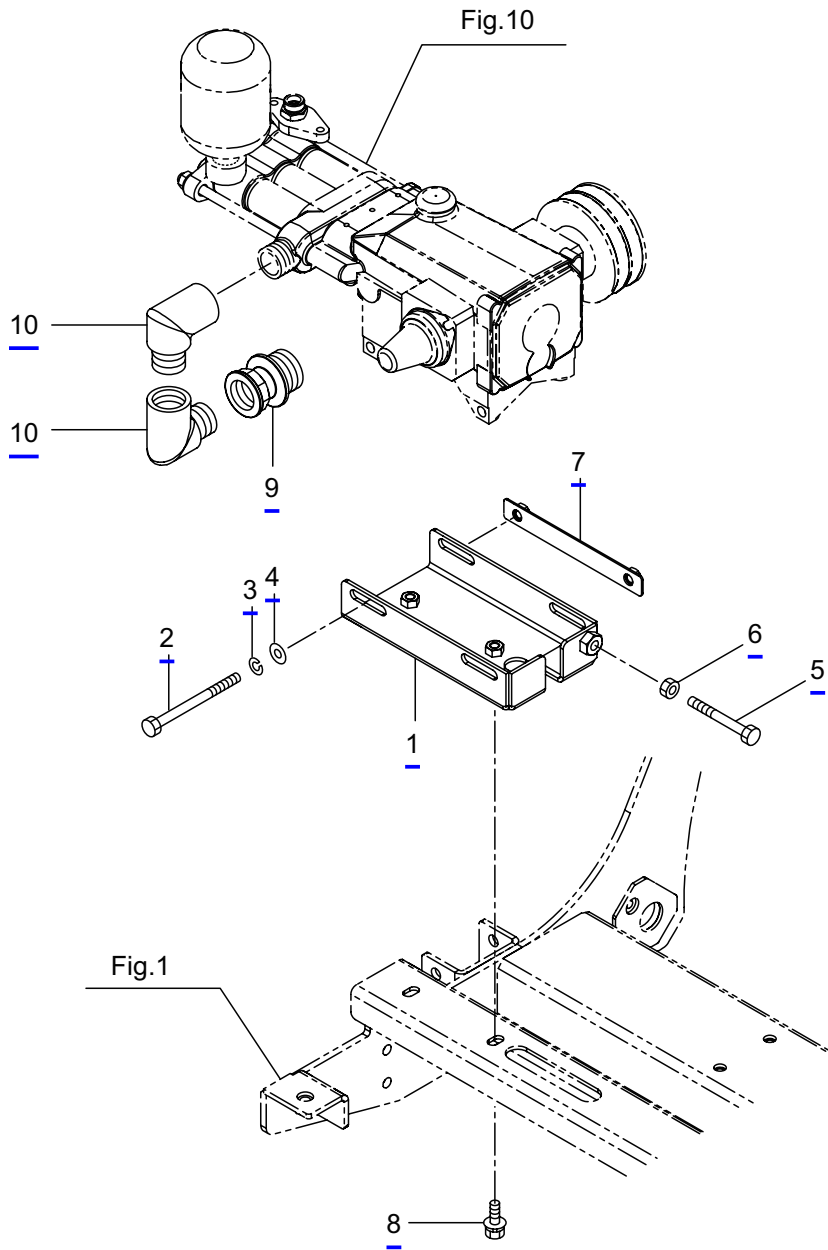
Ref. No.	Parts No.	Parts Name	Q'ty		Remarks
			2JP	3JP	
10-1	<a href="#">818593</a>	MS331	1	1	
10-2	<a href="#">125113</a>	Crankcase	1	1	
10-3	<a href="#">117420</a>	Oil Filler Cap	1	1	
10-4	<a href="#">830216</a>	Rear Cover, Crankcase	1	1	
10-5	<a href="#">014041</a>	<u>O-Ring</u>	1	1	S100
10-6	<a href="#">092241</a>	Oil Gauge Ass'y	1	1	Incl.7
10-7	<a href="#">044428</a>	Packing	1	1	25X34XT2
10-8	<a href="#">091376</a>	Drain Plug	1	1	G1/4 Incl.9
10-9	<a href="#">023170</a>	<u>O-Ring</u>	1	1	P12.5
10-10	<a href="#">125824</a>	Bolt	4	4	M6X16
10-11	<a href="#">103921</a>	Crankshaft	1	1	
10-12	<a href="#">014487</a>	Bearing	2	2	#6304
10-13	<a href="#">117423</a>	Oil Seal	2	2	
10-14	<a href="#">117424</a>	Plate	2	2	T1.2
10-15	<a href="#">025130</a>	Shaft Protector	1	1	
10-16	<a href="#">125824</a>	Bolt	4	4	M6X16
10-17	<a href="#">048734</a>	Connecting Rod Ass'y	3	3	
10-18	<a href="#">131358</a>	Piston Rod	3	3	
10-19	<a href="#">016948</a>	Piston Pin	3	3	9X22
10-20	<a href="#">126259</a>	Washer	3	3	17X24XT1.2
10-21	<a href="#">025461</a>	Oil Seal	3	3	S10.5247
10-22	<a href="#">126189</a>	Washer	3	3	20X28XT1.2
10-23	<a href="#">027710</a>	Seal Retainer	3	3	
10-24	<a href="#">130515</a>	Felt Packing	3	3	10.5X24X5
10-25	<a href="#">027712</a>	Oil Pan	1	1	
10-26	<a href="#">026853</a>	Packing	3	3	
10-27	<a href="#">100015</a>	Seal	3	3	
10-28	<a href="#">123765</a>	Inlet Manifold	1	1	
10-29	<a href="#">091109</a>	Adapter Ass'y	3	3	Incl.30
10-30	<a href="#">015862</a>	<u>O-Ring</u>	6	6	<u>P21</u>
10-31	<a href="#">091108</a>	Adapter Ass'y	3	3	Incl.32,33
10-32	<a href="#">015862</a>	<u>O-Ring</u>	3	3	<u>P21</u>
10-33	<a href="#">023172</a>	<u>O-Ring</u>	3	3	<u>P22</u>
10-34	<a href="#">022929</a>	Cylinder Pipe	3	3	25X28.5X55
10-35	<a href="#">124277</a>	Inlet Valve Seat	3	3	6.1X20XT2.8
10-36	<a href="#">116121</a>	Piston Packing	3	3	
10-37	<a href="#">118628</a>	Piston Retainer	3	3	
10-38	<a href="#">130150</a>	Discharge Manifold	1	1	
10-39	<a href="#">120276</a>	Discharge Valve Ass'y	3	3	
10-40	<a href="#">117813</a>	Air Chamber	1	1	
10-41	<a href="#">125864</a>	Plug	1	1	R1/4
10-42	<a href="#">130152</a>	Nipple	2	2	R1/4XG3/8
10-43	<a href="#">162830</a>	Elbow	1	1	PT1/4
10-44	<a href="#">130917</a>	Stud	2	2	M8X150X11X18
10-45	<a href="#">126201</a>	Nut	2	2	M8

10. BSM201-2JP/BSM201-3JP  
POWER SPRAYER-1



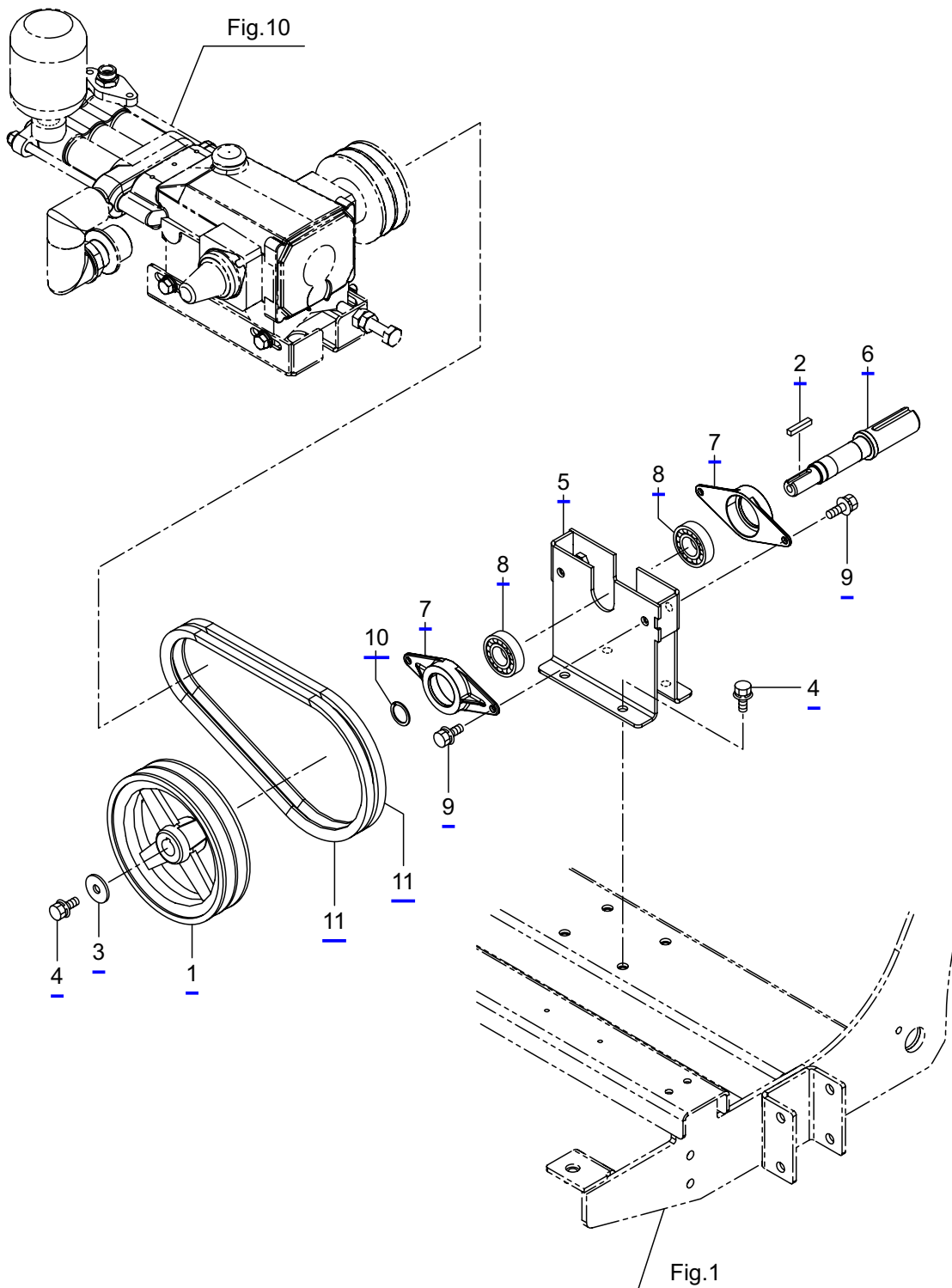
Ref. No.	Parts No.	Parts Name	Q'ty		Remarks
			2JP	3JP	
10-46	<a href="#">132780</a>	V-Pulley	1	1	
10-47	<a href="#">014543</a>	Key	1	1	5X5X25
10-48	<a href="#">126198</a>	Washer	1	1	8.5X30XT3.2
10-49	<a href="#">126258</a>	Bolt	1	1	M8X20

11. BSM201-2JP/BSM201-3JP  
POWER SPRAYER-2



Ref. No.	Parts No.	Parts Name	Q'ty		Remarks
			2JP	3JP	
11-1	567472	Bracket Comp.	1	1	
11-2	567475	Bolt(Hex)	2	2	M8X120X22
11-3	567476	Spring Washer	2	2	M8(2)
11-4	567156	Washer	2	2	8.5X18XT1.6
11-5	567477	Bolt(Hex)	1	1	M10X65
11-6	567143	Nut(Hex)	1	1	M10(2)
11-7	567479	Plate Nut	1	1	
11-8	567173	Bolt(Hex)WSW	2	2	M8X20
11-9	567034	Female Reducer Nipple	1	1	
11-10	189464	Elbow	2	2	

12. BSM201-2JP/BSM201-3JP  
DRIVEN UNIT



Ref. No.	Parts No.	Parts Name	Q'ty		Remarks
			2JP	3JP	
12-1	<a href="#">100837</a>	V-Pulley	1	1	
12-2	<a href="#">567183</a>	Key	1	1	5X5X25
12-3	<a href="#">567480</a>	Washer	1	1	8.5X28XT2.5
12-4	<a href="#">567173</a>	Bolt(Hex)WSW	5	5	M8X20
12-5	<a href="#">567481</a>	Bracket Comp.	1	1	
12-6	<a href="#">567483</a>	Shaft	1	1	
12-7	<a href="#">293627</a>	Shaft Holder	2	2	
12-8	<a href="#">103144</a>	Bearing	2	2	#6004ZZ
12-9	<a href="#">567092</a>	Bolt(Hex)WSW	4	4	M6X16
12-10	<a href="#">567484</a>	C-Ring	1	1	#20
<a href="#">12-11</a>	<a href="#">292886</a>	V-Belt	2	2	

13. BSM201-2JP/BSM201-3JP  
STRAINER

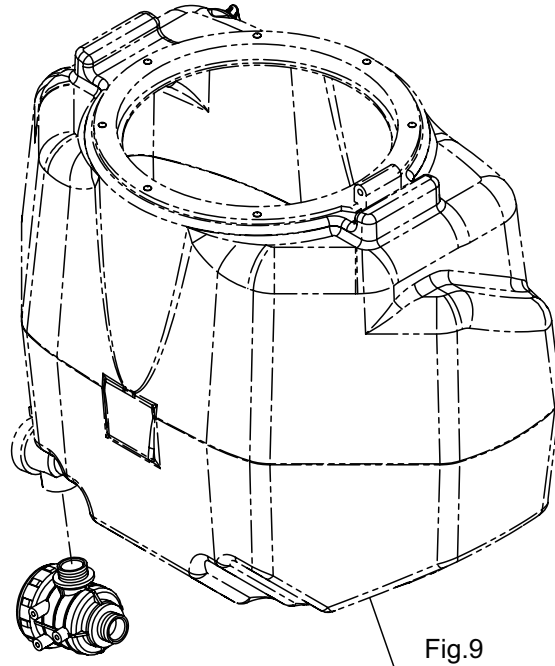
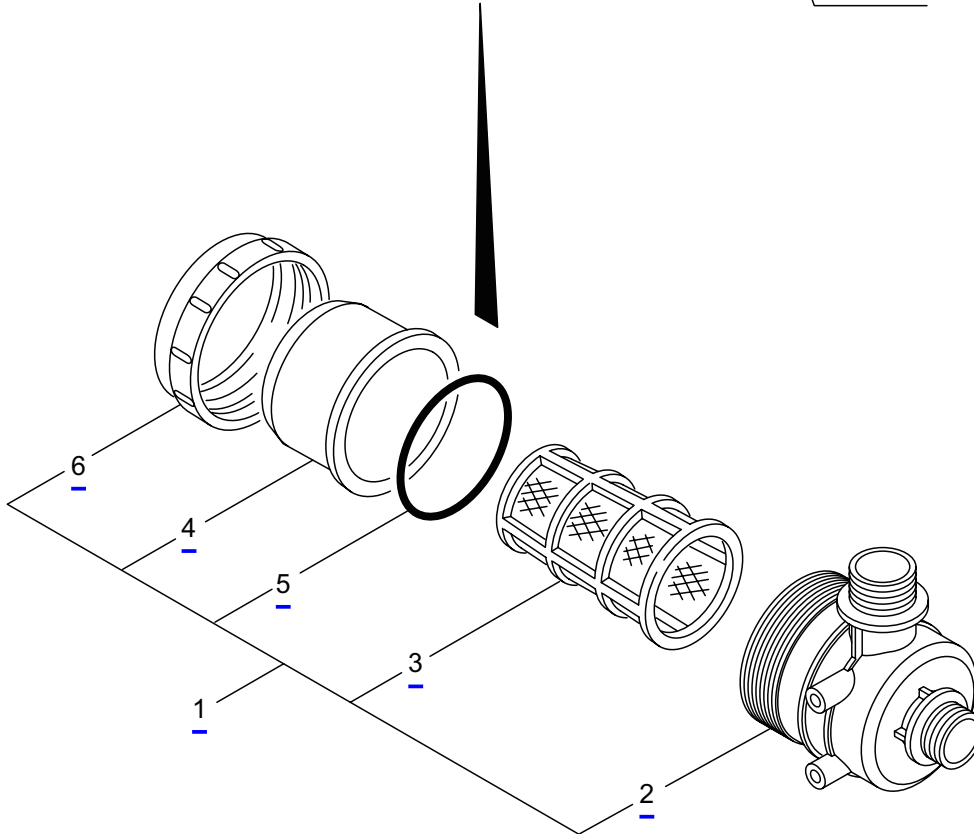
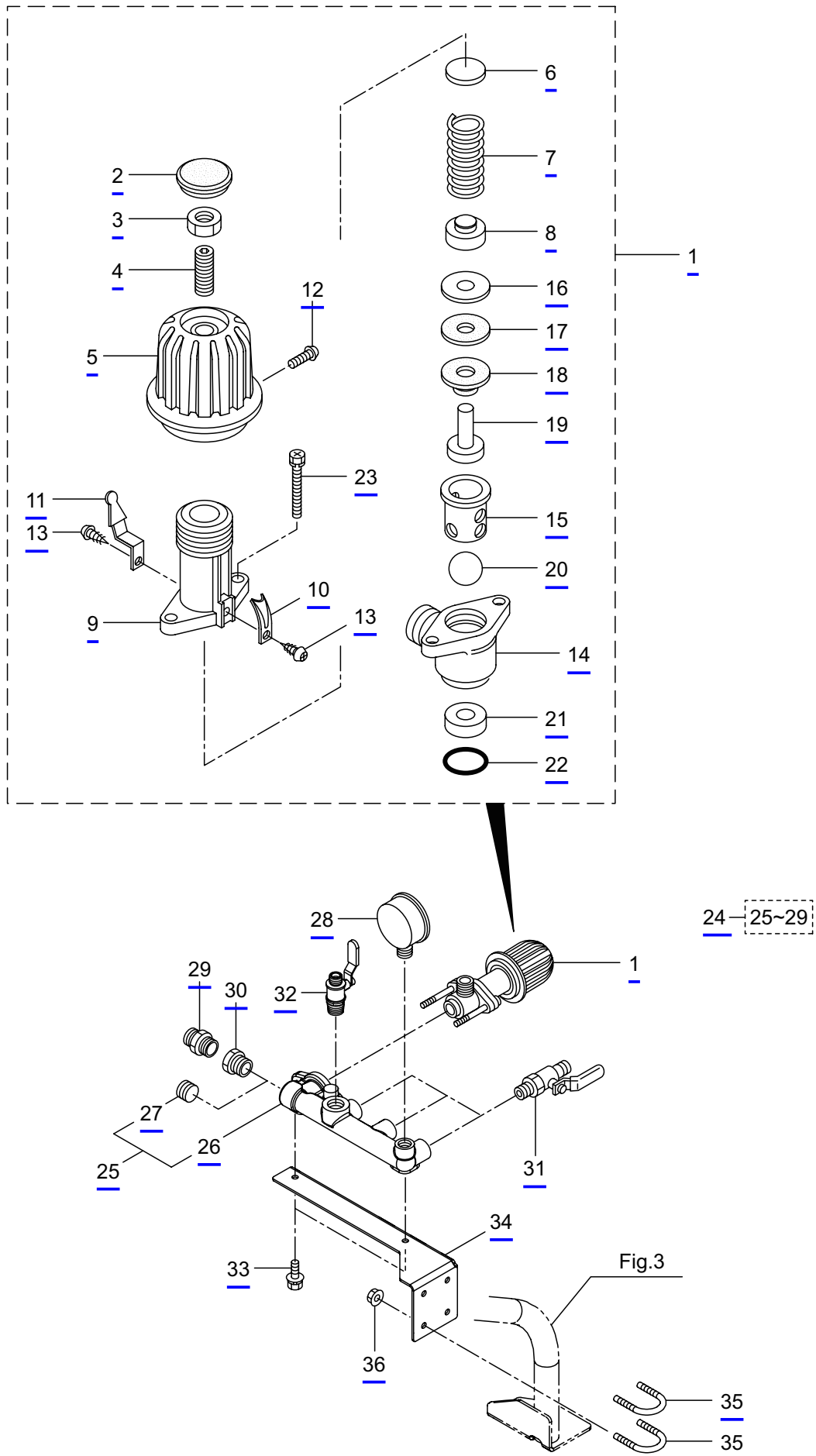


Fig.9



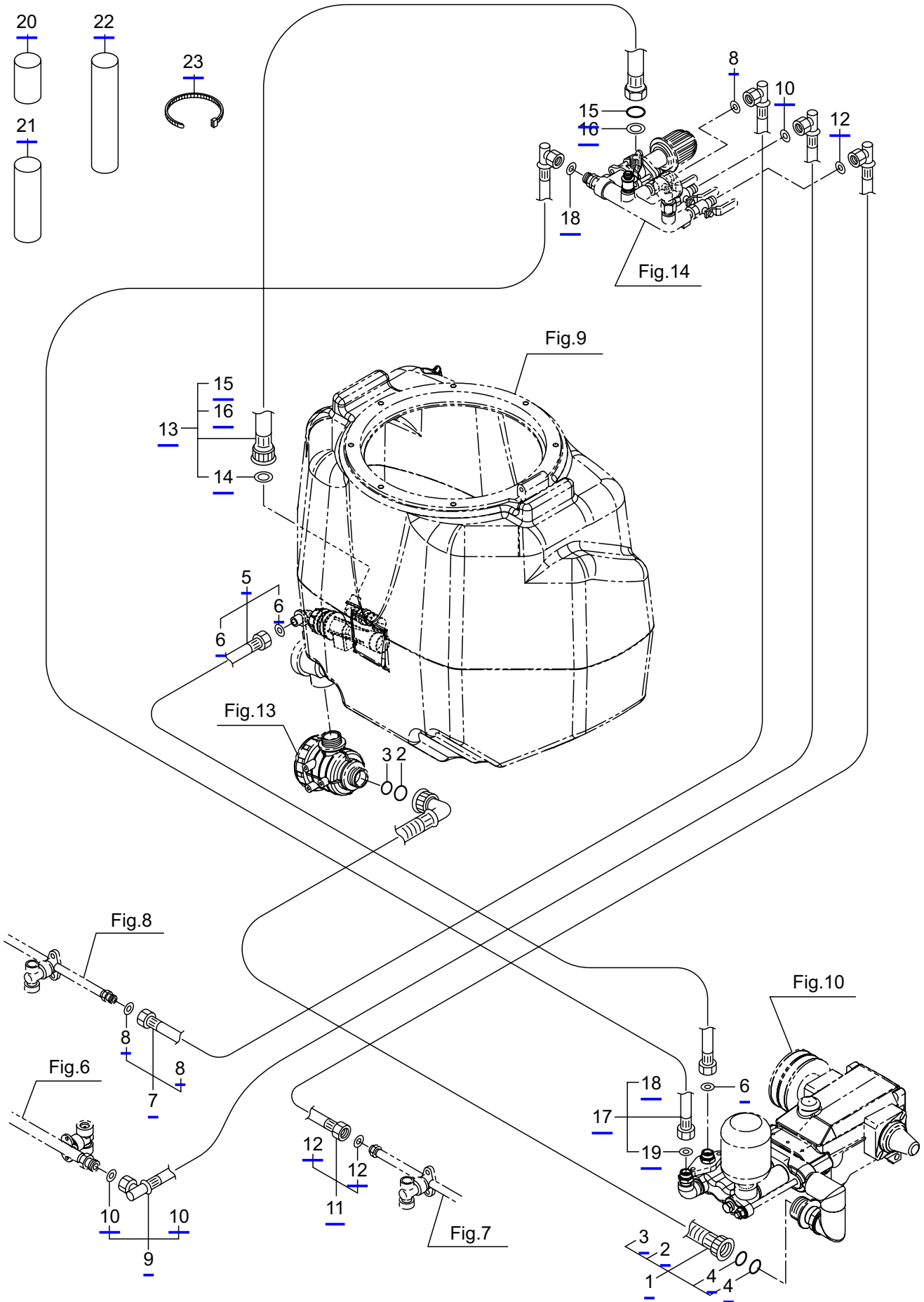
Ref. No.	Parts No.	Parts Name	Q'ty		Remarks
			2JP	3JP	
13-1	<u>567406</u>	Suction Filter(#50)	1	1	Incl.2-6
13-2	<u>567321</u>	Body	1	1	
13-3	<u>567431</u>	Strainer(#50)	1	1	
13-4	<u>567323</u>	Cap	1	1	
13-5	<u>567292</u>	<u>O-Ring</u>	1	1	
13-6	<u>161304</u>	Nut	1	1	

14. BSM201-2JP/BSM201-3JP  
WATER DIVERSION



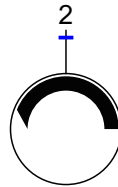
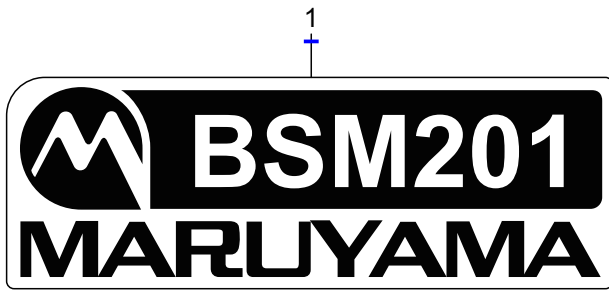
Ref. No.	Parts No.	Parts Name	Q'ty		Remarks
			2JP	3JP	
14-1	<a href="#">130196</a>	Pressure Regulator Valve Ass'y	1	1	Incl.2-23
14-2	<a href="#">105518</a>	Cap	1	1	
14-3	<a href="#">126195</a>	Nut	1	1	M10
14-4	<a href="#">088975</a>	Screw	1	1	M10X49
14-5	<a href="#">130197</a>	Grip	1	1	
14-6	<a href="#">126196</a>	Retainer	1	1	17X2.3
14-7	<a href="#">105520</a>	Spring	1	1	
14-8	<a href="#">105521</a>	Retainer	1	1	
14-9	<a href="#">117448</a>	Case	1	1	
14-10	<a href="#">117440</a>	Plate	1	1	
14-11	<a href="#">105524</a>	Indicator	1	1	
14-12	<a href="#">089899</a>	Tapping Screw	2	2	M4X13
14-13	<a href="#">127284</a>	Tapping Screw	2	2	M4X6
14-14	<a href="#">117442</a>	Body	1	1	
14-15	<a href="#">012256</a>	Retainer	1	1	
14-16	<a href="#">012255</a>	Washer	1	1	6.2X22XT0.6
14-17	<a href="#">016972</a>	Bellows Packing	1	1	5X22X1.5
14-18	<a href="#">011451</a>	Bellows	1	1	
14-19	<a href="#">016975</a>	Valve Rod	1	1	
14-20	<a href="#">107238</a>	Valve Ball	1	1	12.7(#1/2)
14-21	<a href="#">117443</a>	Valve Seat	1	1	
14-22	<a href="#">014179</a>	O-Ring	1	1	P20
14-23	<a href="#">126197</a>	Bolt	2	2	M6X55
14-24	<a href="#">567084</a>	Water Diversion Ass'y	1	1	Incl.25-29
14-25	<a href="#">567085</a>	Water Diversion Ass'y	1	1	Incl.26,27
14-26	<a href="#">567086</a>	Water Diversion	1	1	
14-27	<a href="#">863966</a>	Plug	1	1	R1/2
14-28	<a href="#">567087</a>	Pressure Gauge	1	1	
14-29	<a href="#">567088</a>	Nipple	1	1	R3/8XG3/8
14-30	<a href="#">567505</a>	Bushing	1	1	R1/2XRC3/8
14-31	<a href="#">120835</a>	Ball Cock	3	3	G3/8XR3/8
14-32	<a href="#">165994</a>	Ball Cock	1	1	PT3/8XPF1/4
14-33	<a href="#">567172</a>	Bolt(Hex)WSW	2	2	M6X14
14-34	<a href="#">567506</a>	Bracket	1	1	
14-35	<a href="#">567507</a>	U-Bolt	2	2	M6 3/4
14-36	<a href="#">567508</a>	Flange Nut(Hex)	4	4	M6(2)

15. BSM201-2JP/BSM201-3JP  
CHEMICAL PIPING



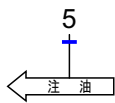
Ref. No.	Parts No.	Parts Name	Q'ty		Remarks
			2JP	3JP	
15-1	<a href="#">567403</a>	Suction <u>Hose</u> Comp.	1	1	25X190L Incl.2-4
15-2	<a href="#">161307</a>	<u>O-Ring</u>	1	1	
15-3	<a href="#">161308</a>	<u>O-Ring</u>	1	1	
15-4	<a href="#">161309</a>	<u>O-Ring</u>	2	2	
15-5	<a href="#">567407</a>	<u>Hose</u> Comp.	1	1	10X1BX170L Incl.6
15-6	<a href="#">111569</a>	Packing	2	2	9.5X15XT1.5
15-7	<a href="#">567408</a>	<u>Hose</u> Comp.	1	1	10X1BX3750L Incl.8
15-8	<a href="#">111569</a>	Packing	2	2	9.5X15XT1.5
15-9	<a href="#">567409</a>	<u>Hose</u> Comp.	1	1	10X1BX2900L Incl.10
15-10	<a href="#">111569</a>	Packing	2	2	9.5X15XT1.5
15-11	<a href="#">567410</a>	<u>Hose</u> Comp.	1	1	10X1BX3150L Incl.12
15-12	<a href="#">111569</a>	Packing	2	2	9.5X15XT1.5
15-13	<a href="#">567411</a>	<u>Hose</u> Comp.	1	1	13X19X1100L Incl.14-16
15-14	<a href="#">188601</a>	Packing	1	1	12.5X18.5XT1.5
15-15	<a href="#">863897</a>	<u>O-Ring</u> (G1/2)	1	1	
15-16	<a href="#">100691</a>	Packing	1	1	13.5X18XT2
15-17	<a href="#">567412</a>	<u>Hose</u> Comp.	1	1	10X1BX1450L Incl.18,19
15-18	<a href="#">111569</a>	Packing	1	1	9.5X15XT1.5
15-19	<a href="#">111569</a>	Packing	1	1	9.5X15XT1.5
15-20	<a href="#">567585</a>	Protect <u>Hose</u>	3	3	2X100L
15-21	<a href="#">567586</a>	Protect <u>Hose</u>	2	2	2X200L
15-22	<a href="#">567587</a>	Protect <u>Hose</u>	1	1	2X300L
15-23	<a href="#">567464</a>	Band	19	19	

16. BSM201-2JP/BSM201-3JP  
LABEL



3  
常用圧力 0.5~1.5MPa

4  
PTO  
440~615rpm



6  
**取扱要領**  
散布作業を停止、もしくは終了させる場合は、調圧ダイヤルを左いっぱいに戻し、圧力を下げたからPTOを切ること。

7  
**送液バルブの取扱い方**  
**吸水ストレーナの点検・清掃**

- 運転前に送液バルブが開いているか確認してください。
- 作業終了後、キャップを外し、吸水ストレーナの点検・清掃を行います。終了後は、Oリングの脱落に注意しキャップを確実に締めてください。

送液バルブ  
吸水ストレーナ  
Oリング

8

閉 ↑ 右ノズル ↓ 開	閉 ↑ 中ノズル ↓ 開	閉 ↑ 左ノズル ↓ 開
--------------------------	--------------------------	--------------------------

9  
**警告**  
ユニバーサルジョイントを取付ける場合、トラクタのエンジンを停止し、キーを抜き、駐車ブレーキをかけPTOのクラッチを必ずOFFにすること。

10  
**注意**  
ローリンク(2点リンクの場合はリフトアーム)を上げすぎると、トラクタと接触し、トラクタまたはブームスプレーヤを破損させるおそれがあります。

11  
**注意**

- ・使用する薬剤の取扱説明書をよく読んで正しく使用すること。
- ・作業前に噴霧用ポンプのオイル点検を行うこと。
- ・ブームスプレーヤを保管する際は、スタンドのキャスターをロックすること。
- ・ブーム昇降時は、ブームを開くこと。

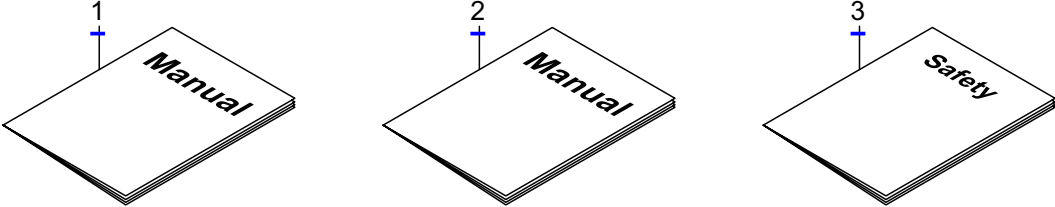
12  
**警告**

- ・服装は、体にあつたものを着用して下さい。保護着・保護マスク・保護メガネ・ゴム手袋・作業靴(長靴)等を用意し、安全な服装で作業すること。
- ・飲料水源及び生物を飼育している湖沼からの直接給水は絶対に行わないこと。
- ・散布計画を立て、薬剤は余らないように作ること。
- ・スプレーヤの取付け、取外しを行う場合は、薬剤タンクを空の状態で行うこと。
- ・転落事故のおそれがあるため、急発進・急旋回・急制動は行わないこと。

P/N. 587346

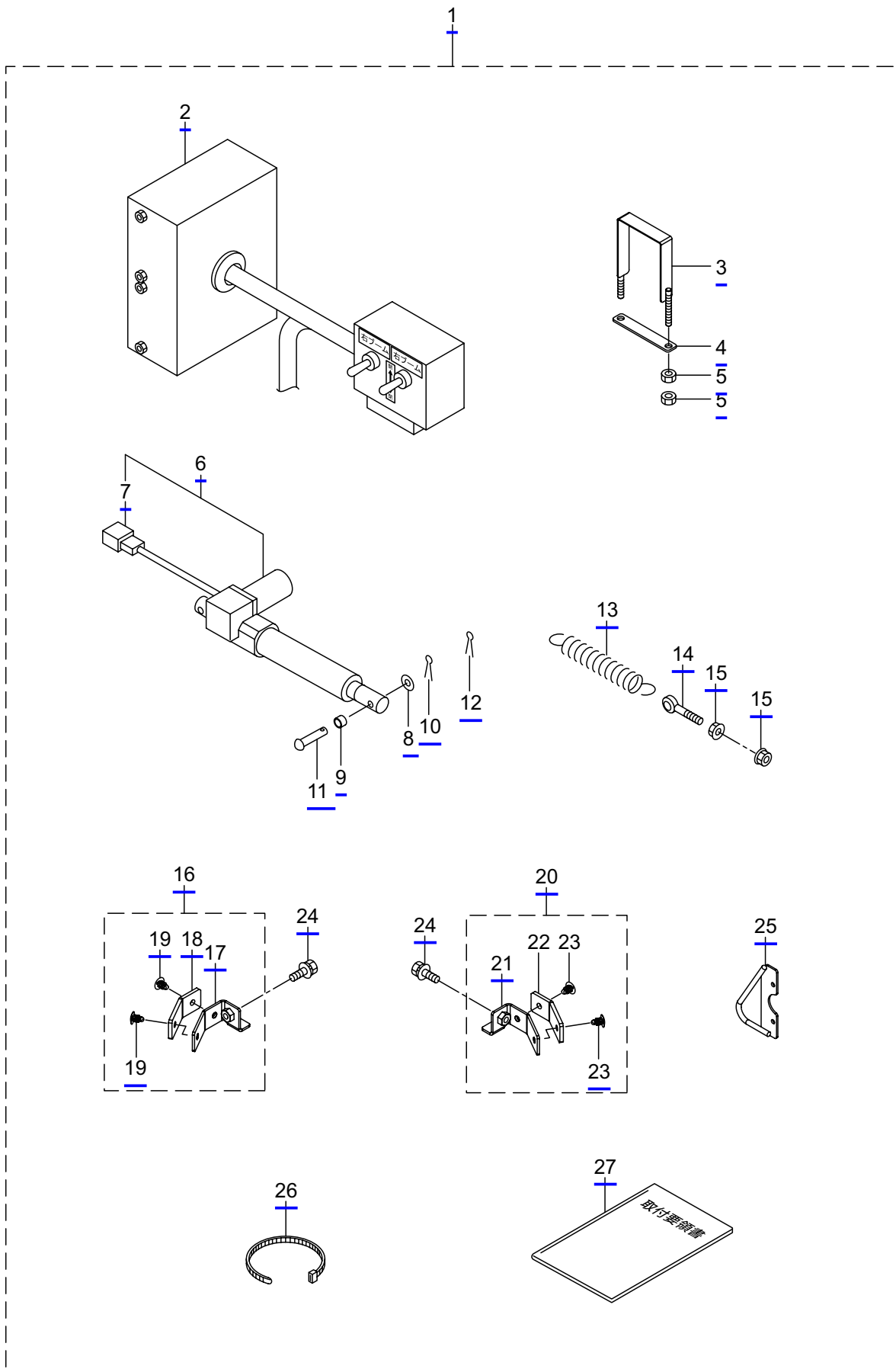
Ref. No.	Parts No.	Parts Name	Q'ty		Remarks
			2JP	3JP	
16-1	567590	Label	2	2	<u>BSM201</u>
16-2	567306	Label	1	1	Red Zone
16-3	567592	Label	1	1	Pressure
16-4	567594	Label	1	1	PTO440-615rpm
16-5	567338	Label	1	1	Lubrication
16-6	567340	Label	1	1	Instruction
16-7	567342	Label	1	1	How To
16-8	567343	Label	1	1	Operation Nozzle
16-9	567591	Label	1	1	Warning
16-10	567593	Label	1	1	Lowerlink
16-11	567595	Label	1	1	Caution
16-12	567345	Label	1	1	Warning

17. BSM201-2JP/BSM201-3JP  
ACCESSORIES



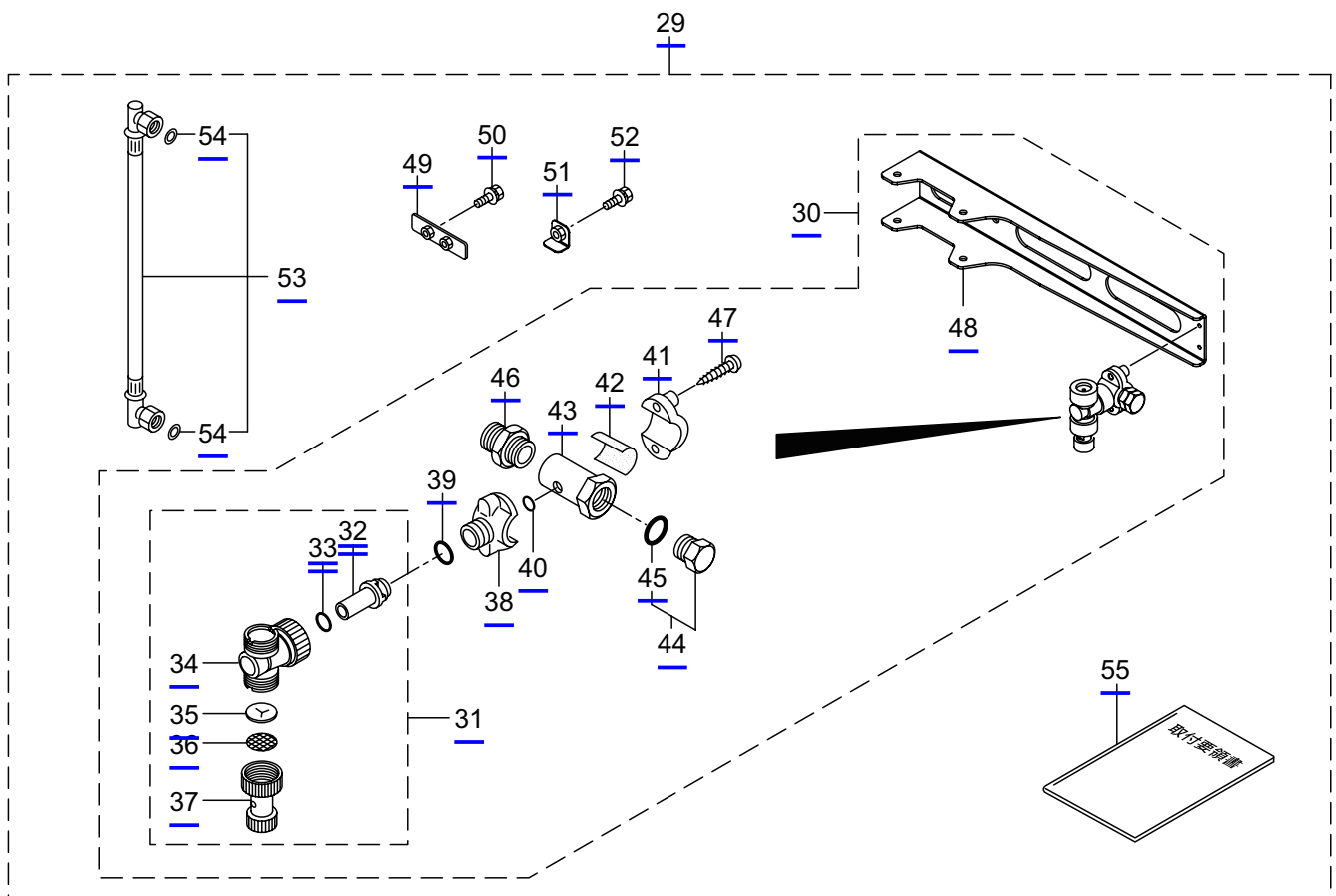
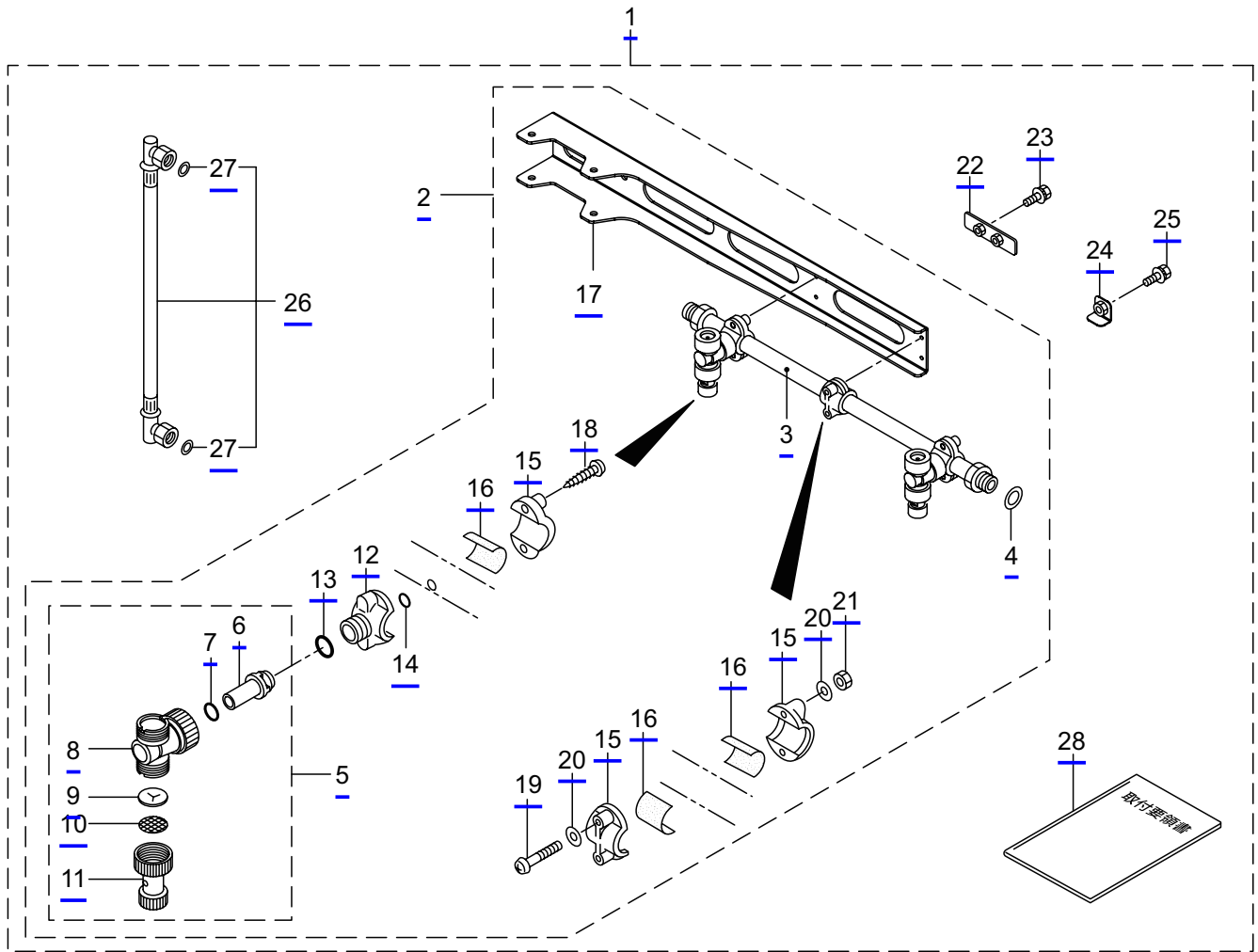
Ref. No.	Parts No.	Parts Name	Q'ty		Remarks
			2JP	3JP	
17-1	<a href="#">567458</a>	Instruction Manual	1	1	<a href="#">BSM201</a>
17-2	<a href="#">567600</a>	Installation Manual	1	1	<a href="#">BSM201</a>
17-3	<a href="#">177230</a>	Safety Instruction Manual	1	1	
17-4	<a href="#">567459</a>	Universal Joint	1		
17-4	<a href="#">153672</a>	Universal Joint		1	
17-5	<a href="#">567460</a>	Key	1	1	7X7X45
17-6	<a href="#">567461</a>	Bolt(Hex)	1	1	M10X35
17-7	<a href="#">567143</a>	Nut(Hex)	1	1	M10(2)

18. BSM201-2JP/BSM201-3JP  
OPTION-1



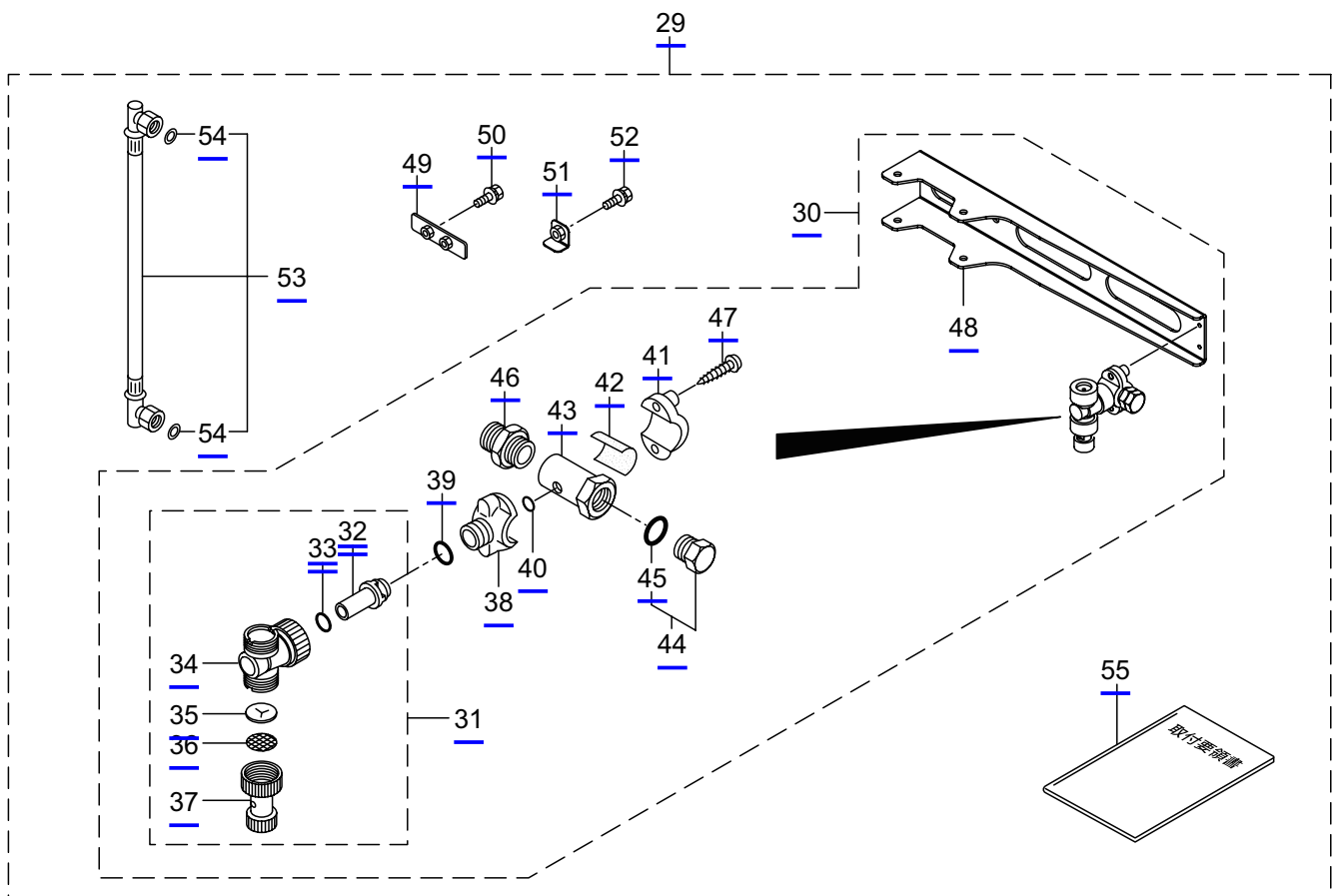
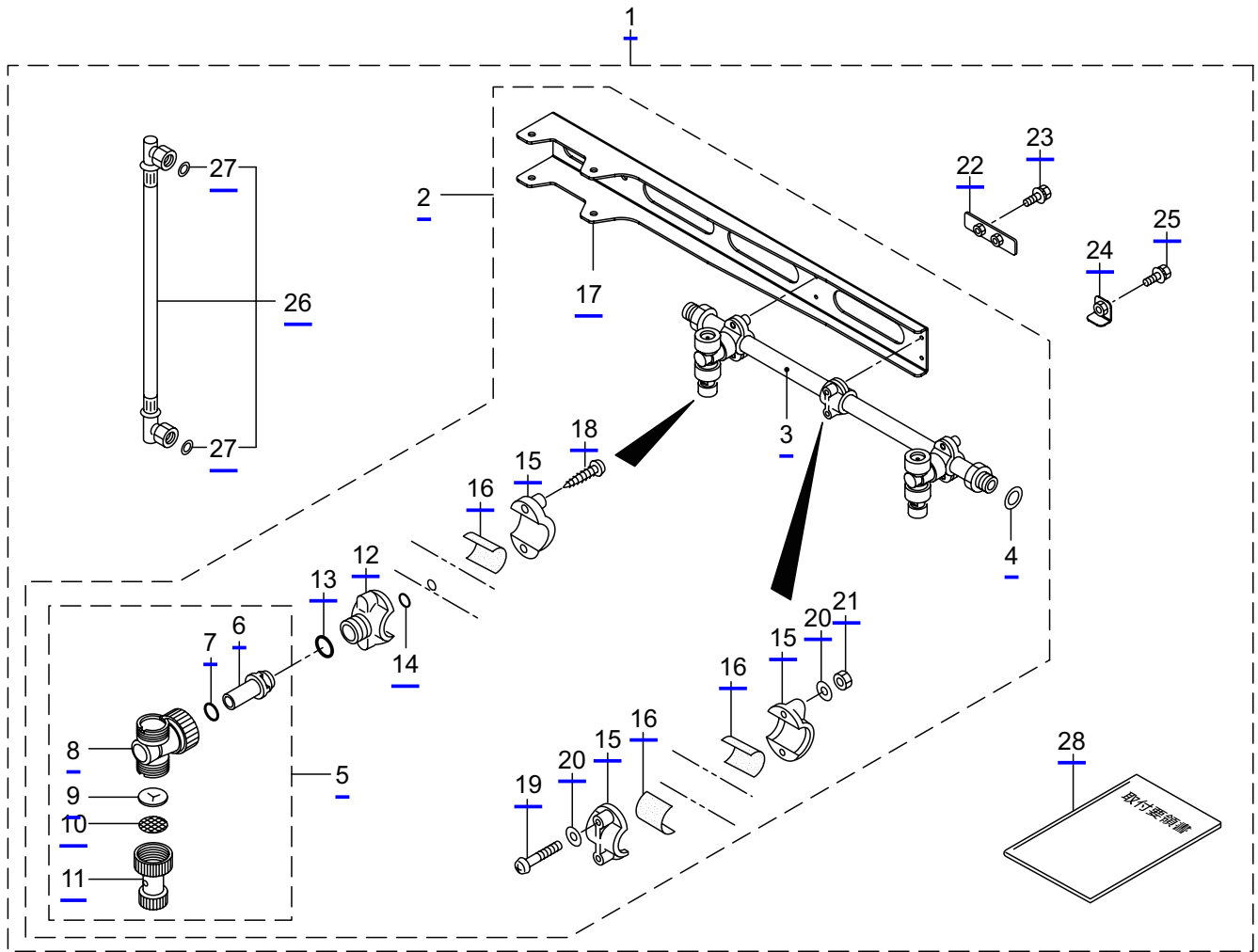
Ref. No.	Parts No.	Parts Name	Q'ty		Remarks
			2JP	3JP	
18-1	881520	Electric Cylinder Kit	1	1	Incl.2-27
18-2	881521	Switch <u>Box</u> Ass'y	1	1	
18-3	881532	Band Comp.	2	2	
18-4	881535	Plate	2	2	
18-5	<u>127298</u>	Nut	8	8	M6
18-6	681912	Power Cylinder	2	2	Incl.7
18-7	180722	Connector	2	2	
18-8	196599	Washer	2	2	8.5X26XT4.5
18-9	881536	Collar	2	2	8.8X12X8L
18-10	<u>069404</u>	Split Pin	2	2	3X25L
18-11	681913	Clevis Pin	2	2	8X40
18-12	047813	Split Pin	2	2	2X20
18-13	<u>860275</u>	Spring	2	2	
18-14	860450	<u>Swing</u> Bolt	2	2	M8X50
18-15	110176	Nut	4	4	M8
18-16	881537	Stay Ass'y	2	2	Incl.17-19
18-17	881538	Stay Comp.	2	2	
18-18	881542	Packing	2	2	32X93XT5
18-19	<u>862820</u>	Clip	4	4	
18-20	881540	Stay Ass'y	2	2	Incl.21-23
18-21	881541	Stay Comp.	2	2	
18-22	881542	Packing	2	2	32X93XT5
18-23	<u>862820</u>	Clip	4	4	
18-24	817015	Bolt	4	4	M10X20(SM)
18-25	881543	<u>Hook</u> Comp.	1	1	
18-26	<u>685050</u>	Band	14	14	CV-350B
18-27	881546	Instruction Manual	1	1	

19. BSM201-2JP/BSM201-3JP  
OPTION-2



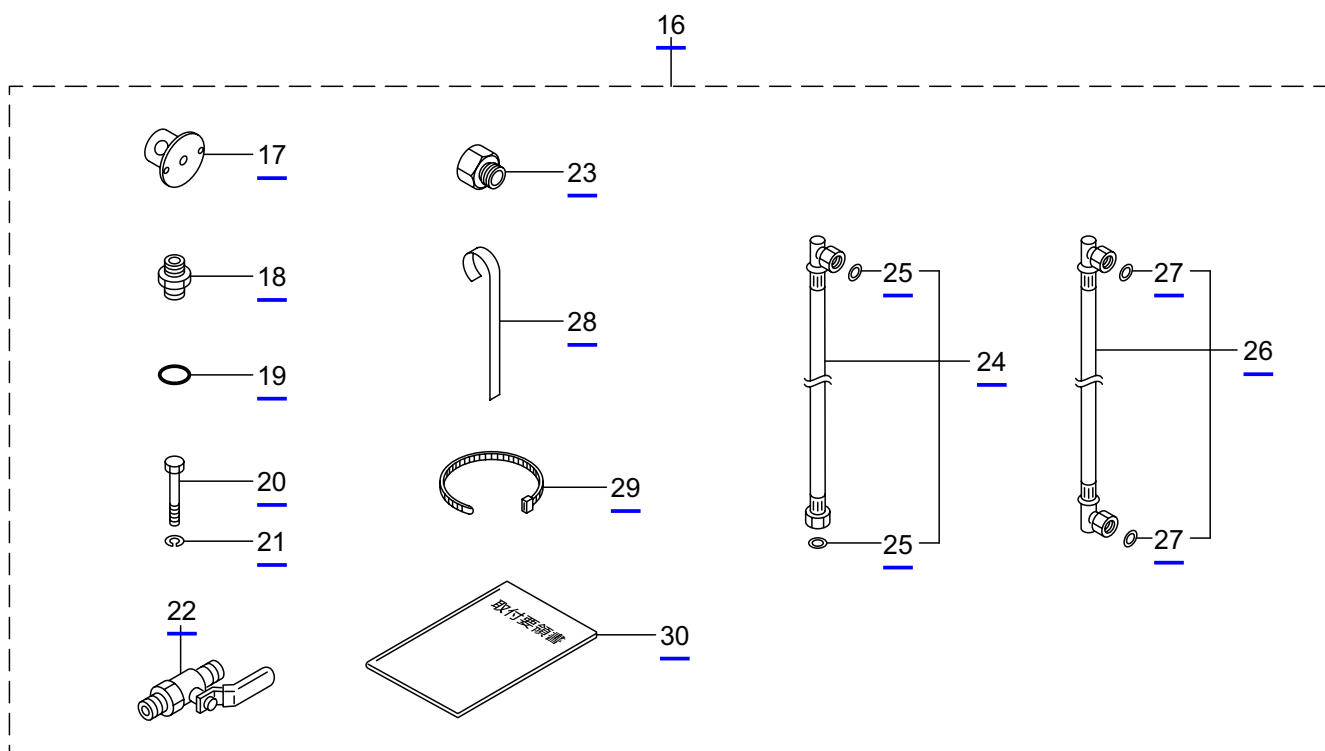
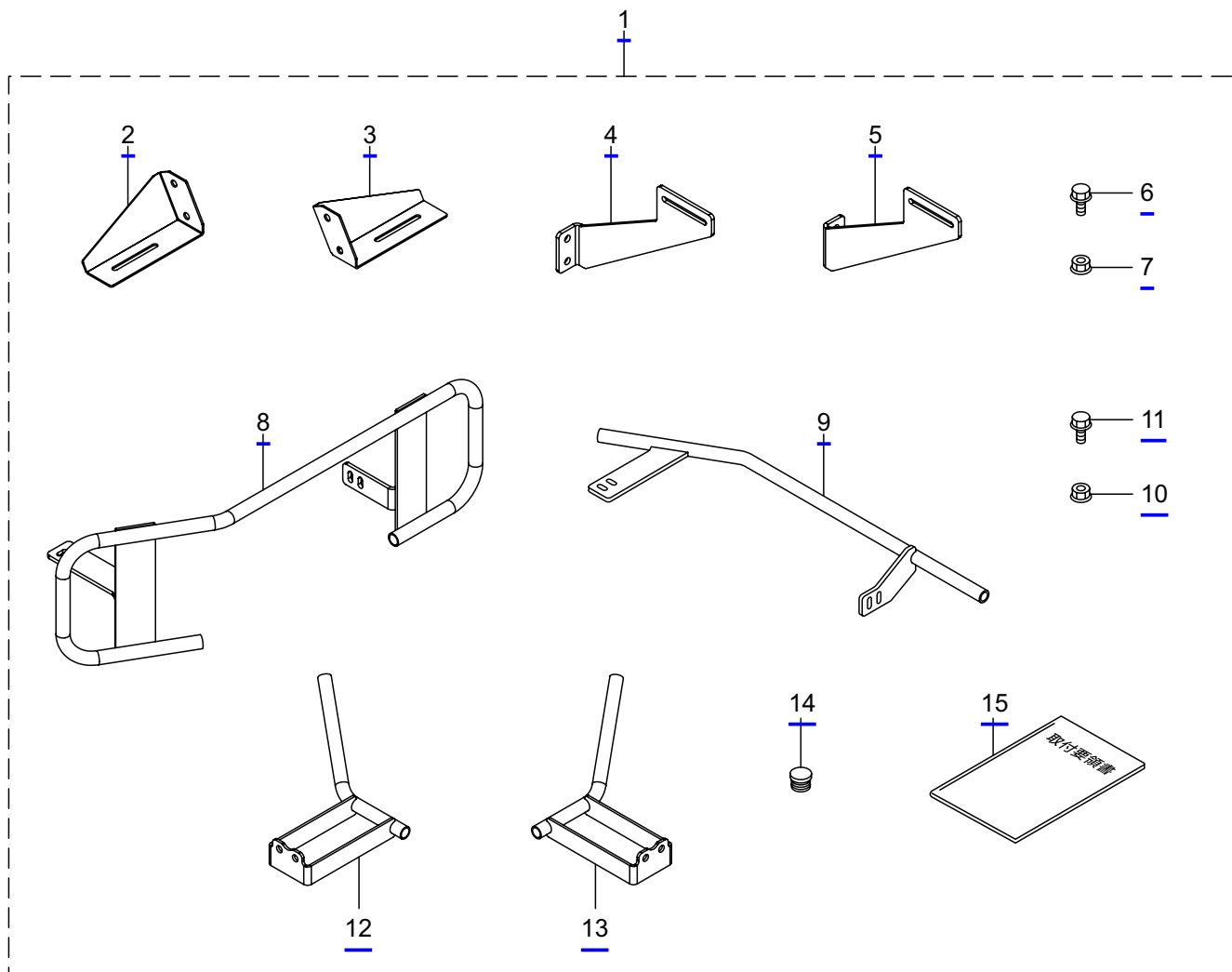
Ref. No.	Parts No.	Parts Name	Q'ty		Remarks
			2JP	3JP	
<u>19-1</u>	<u>881547</u>	Extension Nozzle Kit	1	1	Incl.2-28
<u>19-2</u>	<u>881548</u>	Spray Pipe Ass'y	2	2	Incl.3-21
19-3	<u>175147</u>	Spray Pipe Comp.	2	2	
19-4	<u>114303</u>	Packing	2	2	15X20.5XT2
19-5	<u>567402</u>	2 Direction Nozzle	4	4	Incl.6-11
19-6	<u>177328</u>	Valve	4	4	
19-7	<u>011373</u>	O-Ring	4	4	P-10
19-8	<u>567218</u>	Nozzle Holder Ass'y	4	4	
19-9	<u>180147</u>	Packing	4	4	
<u>19-10</u>	<u>107489</u>	Strainer	4	4	
<u>19-11</u>	<u>188492</u>	Nozzle Disk	4	4	
<u>19-12</u>	<u>187560</u>	Body	4	4	
<u>19-13</u>	<u>011345</u>	O-Ring	4	4	P-12
<u>19-14</u>	<u>022056</u>	O-Ring	4	4	P7
<u>19-15</u>	<u>148709</u>	Cover	8	8	
<u>19-16</u>	<u>148710</u>	Rubber Plate	8	8	16X24XT1.5
<u>19-17</u>	<u>881549</u>	Stay	2	2	
<u>19-18</u>	<u>089961</u>	Screw	8	8	ST3.5X24
<u>19-19</u>	<u>088309</u>	Screw	4	4	M3X35
<u>19-20</u>	<u>065000</u>	Washer	8	8	M3
<u>19-21</u>	<u>183394</u>	Nut	4	4	M3
<u>19-22</u>	<u>881550</u>	Plate Nut	2	2	M8
<u>19-23</u>	<u>126763</u>	Bolt	4	4	M8X20(SM)
<u>19-24</u>	<u>881551</u>	Stay Comp.	8	8	
<u>19-25</u>	<u>092515</u>	Bolt	8	8	M6X14
<u>19-26</u>	<u>881552</u>	Hose Ass'y	2	2	10X2SX300L Incl.27
<u>19-27</u>	<u>111569</u>	Packing	4	4	9.5X15XT1.5
<u>19-28</u>	<u>881553</u>	Instruction Manual	1	1	
<u>19-29</u>	<u>881554</u>	Extension Nozzle Kit	1	1	Incl.30-55
<u>19-30</u>	<u>881555</u>	Nozzle Ass'y	2	2	Incl.31-48
19-31	<u>567402</u>	2 Direction Nozzle	2	2	Incl.32-37
19-32	<u>177328</u>	Valve	2	2	
19-33	<u>011373</u>	O-Ring	2	2	P-10
19-34	<u>567218</u>	Nozzle Holder Ass'y	2	2	
19-35	<u>180147</u>	Packing	2	2	
19-36	<u>107489</u>	Strainer	2	2	
19-37	<u>188492</u>	Nozzle Disk	2	2	
19-38	<u>187560</u>	Body	2	2	
19-39	<u>011345</u>	O-Ring	2	2	P-12
19-40	<u>022056</u>	O-Ring	2	2	P7
19-41	<u>148709</u>	Cover	2	2	
<u>19-42</u>	<u>148710</u>	Rubber Plate	2	2	16X24XT1.5
<u>19-43</u>	<u>688622</u>	Nipple	2	2	R1/4-G1/4
19-44	<u>091376</u>	Plug Ass'y	2	2	G1/4 Incl.45
19-45	<u>023170</u>	O-Ring	2	2	P12.5

19. BSM201-2JP/BSM201-3JP  
OPTION-2



Ref. No.	Parts No.	Parts Name	Q'ty		Remarks
			2JP	3JP	
19-46	130152	Nipple	2	2	R1/4XG3/8
19-47	089961	Screw	4	4	ST3.5X24
19-48	881556	Stay	2	2	
19-49	881550	Plate Nut	2	2	M8
19-50	126763	Bolt	4	4	M8X20(SM)
19-51	881551	Stay Comp.	8	8	
19-52	092515	Bolt	8	8	M6X14
19-53	881552	Hose Ass'y	2	2	10X2SX300L Incl.54
19-54	111569	Packing	4	4	9.5X15XT1.5
19-55	881557	Instruction Manual	1	1	

20. BSM201-2JP/BSM201-3JP  
OPTION-3



Ref. No.	Parts No.	Parts Name	Q'ty		Remarks
			2JP	3JP	
20-1	881558	Grass Divider Ass'y	1	1	Incl.2-15
20-2	881559	Stay	1	1	
20-3	<u>881560</u>	Stay	1	1	
20-4	881561	Stay	1	1	
20-5	881562	Stay	1	1	
20-6	688793	Bolt	8	8	M8X20
20-7	110176	Nut	8	8	M8
20-8	881563	Pipe Comp.	1	1	
20-9	881568	Pipe Comp.	1	1	
20-10	<u>104309</u>	Nut	8	8	M6
20-11	550173	Bolt	8	8	M6X16
<u>20-12</u>	881572	Pipe Comp.	1	1	
<u>20-13</u>	881575	Pipe Comp.	1	1	
20-14	881576	Cap	8	8	
20-15	881571	Instruction Manual	1	1	
20-16	881577	Cock Kit	1	1	Incl.17-30
20-17	881578	Adapter	1	1	
20-18	<u>058464</u>	Nipple	2	2	PT3/8XPF3/8
20-19	<u>014179</u>	O-Ring	1	1	P20
20-20	082194	Bolt	2	2	M6X95X18
20-21	<u>126568</u>	Spring Washer	2	2	M6
<u>20-22</u>	<u>120835</u>	Ball Cock	1	1	G3/8XR3/8
<u>20-23</u>	881579	Extension	1	1	G3/8XR3/8
20-24	881580	<u>Hose Ass'y</u>	1	1	10X2SX650L Incl.25
20-25	<u>111569</u>	Packing	2	2	9.5X15XT1.5
20-26	881582	<u>Hose Ass'y</u>	1	1	10X2SX700L Incl.27
20-27	<u>111569</u>	Packing	2	2	9.5X15XT1.5
20-28	<u>862939</u>	Magic Band	2	2	
20-29	<u>685050</u>	Band	2	2	CV-350B
20-30	881583	Instruction Manual	1	1	