

# PARTS LIST

## BSM301

### CONTENTS

1. FRAME.....	2 ~ 3
2. MAST .....	4 ~ 5
3. CENTER BOOM.....	6 ~ 9
4. CENTER PIPE.....	10 ~ 13
5. RIGHT BOOM .....	14 ~ 15
6. LEFT BOOM.....	16 ~ 17
7. CHEMICAL TANK .....	18 ~ 19
8. POWER SPRAYER.....	20 ~ 23
9. STRAINER.....	24 ~ 25
10. WATER DIVERSION.....	26 ~ 27
11. CHEMICAL PIPING .....	28 ~ 29
12. LABEL, ACCESSORIES .....	30 ~ 31
13. OPTION (Container <u>Box</u> ).....	32 ~ 33

2013.10.

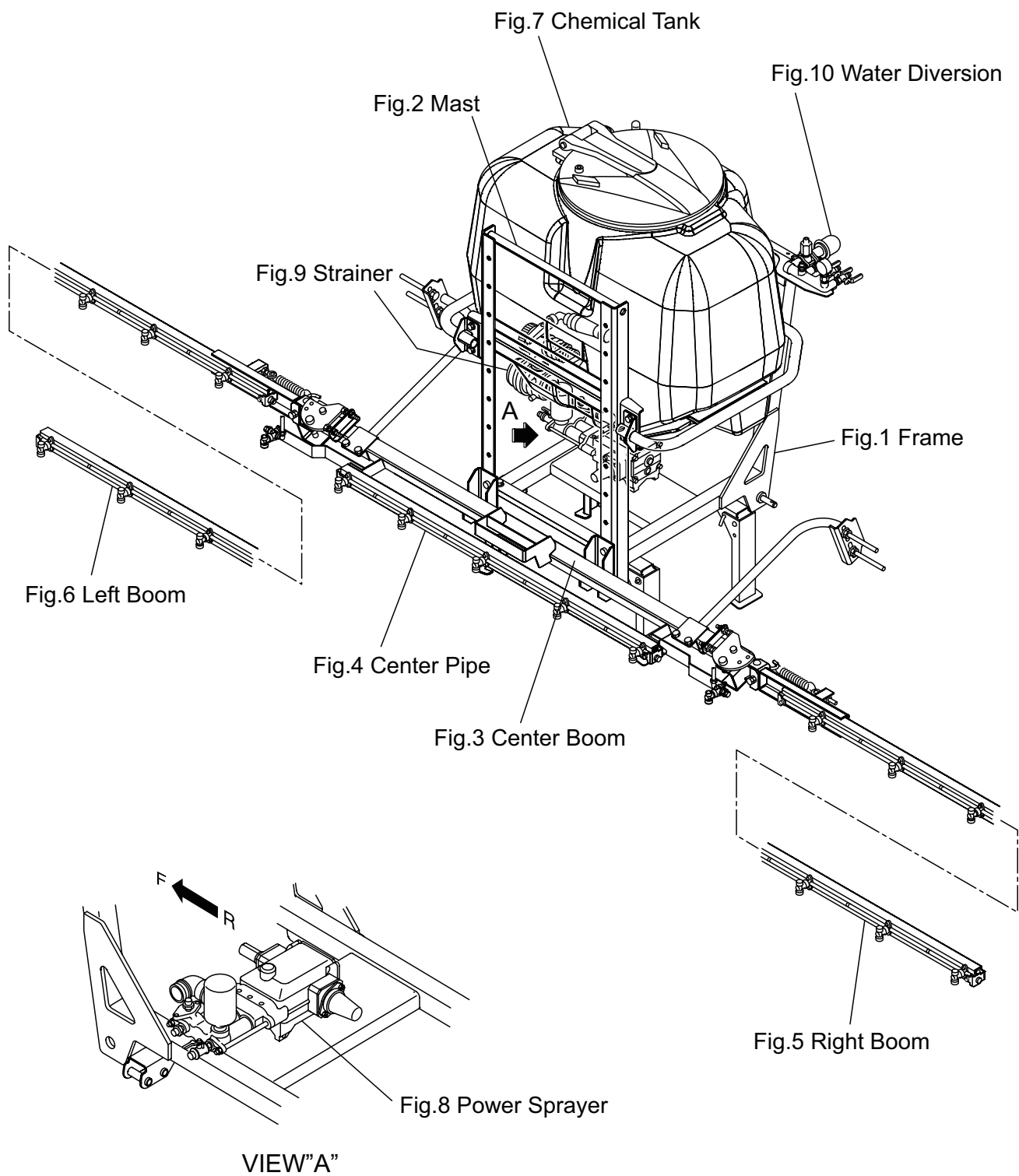


**MARUYAMA**

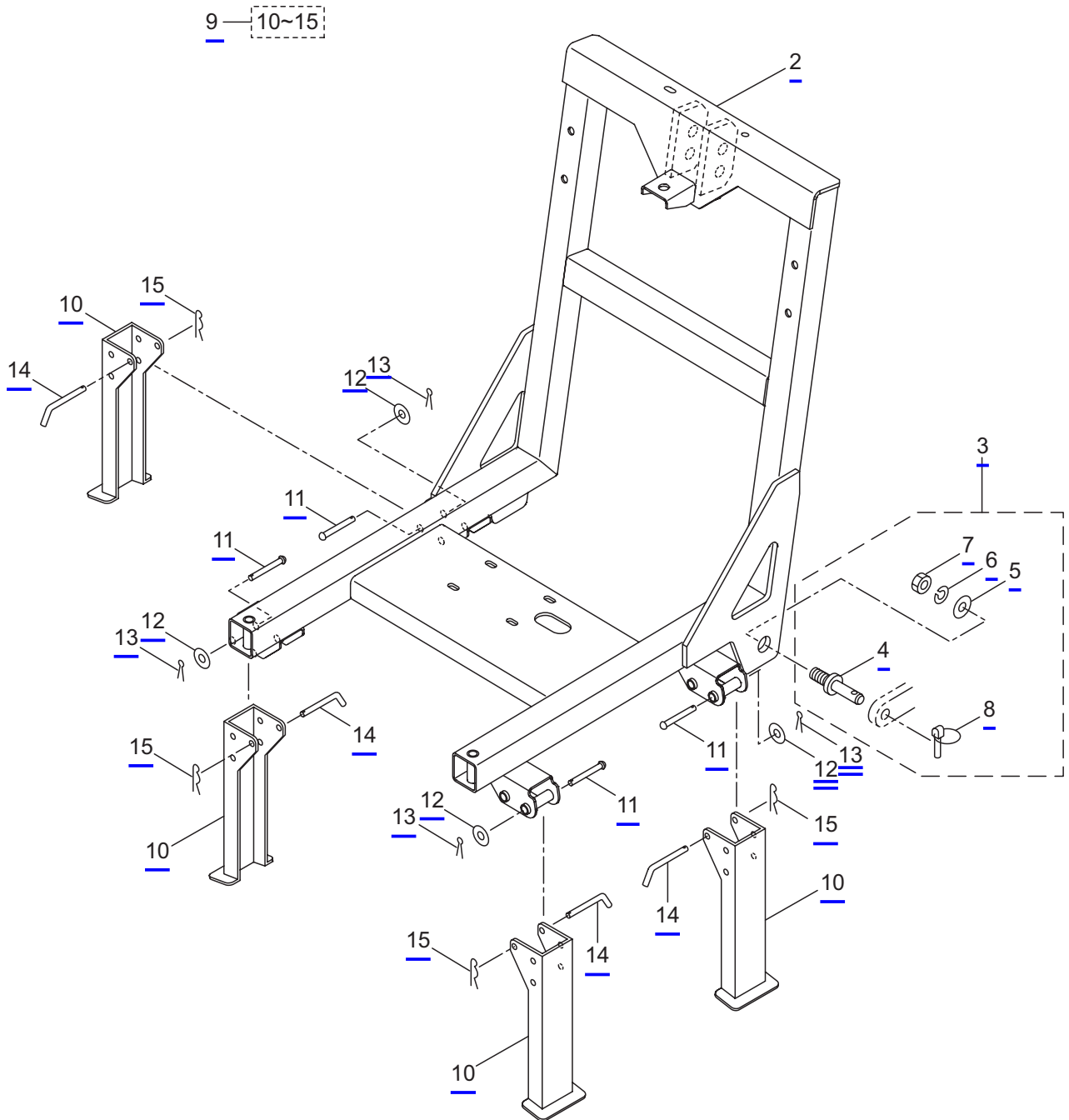
P/N 523680



# BSM301 NAMES OF THE PARTS

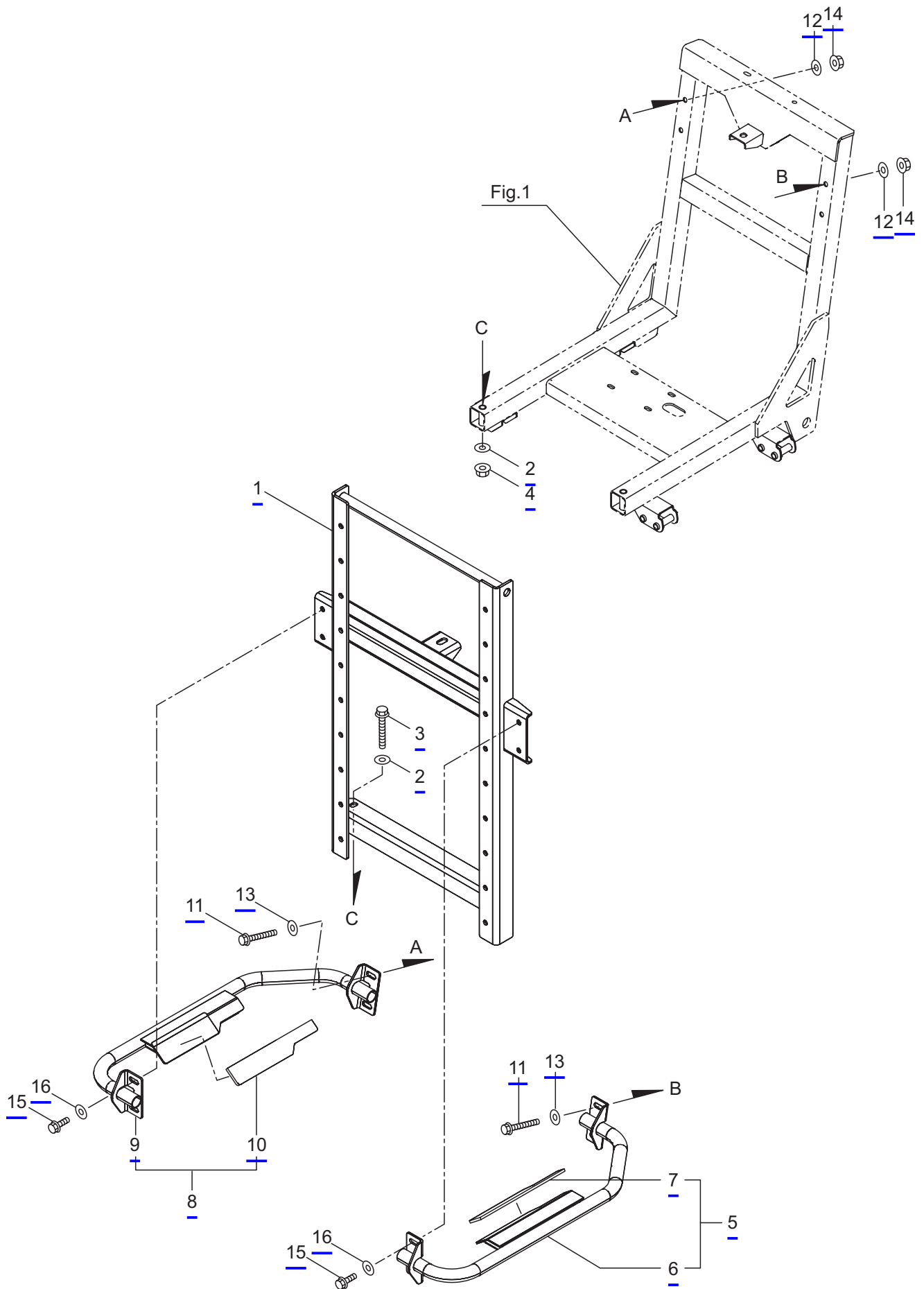


# 1. BSM301 FRAME



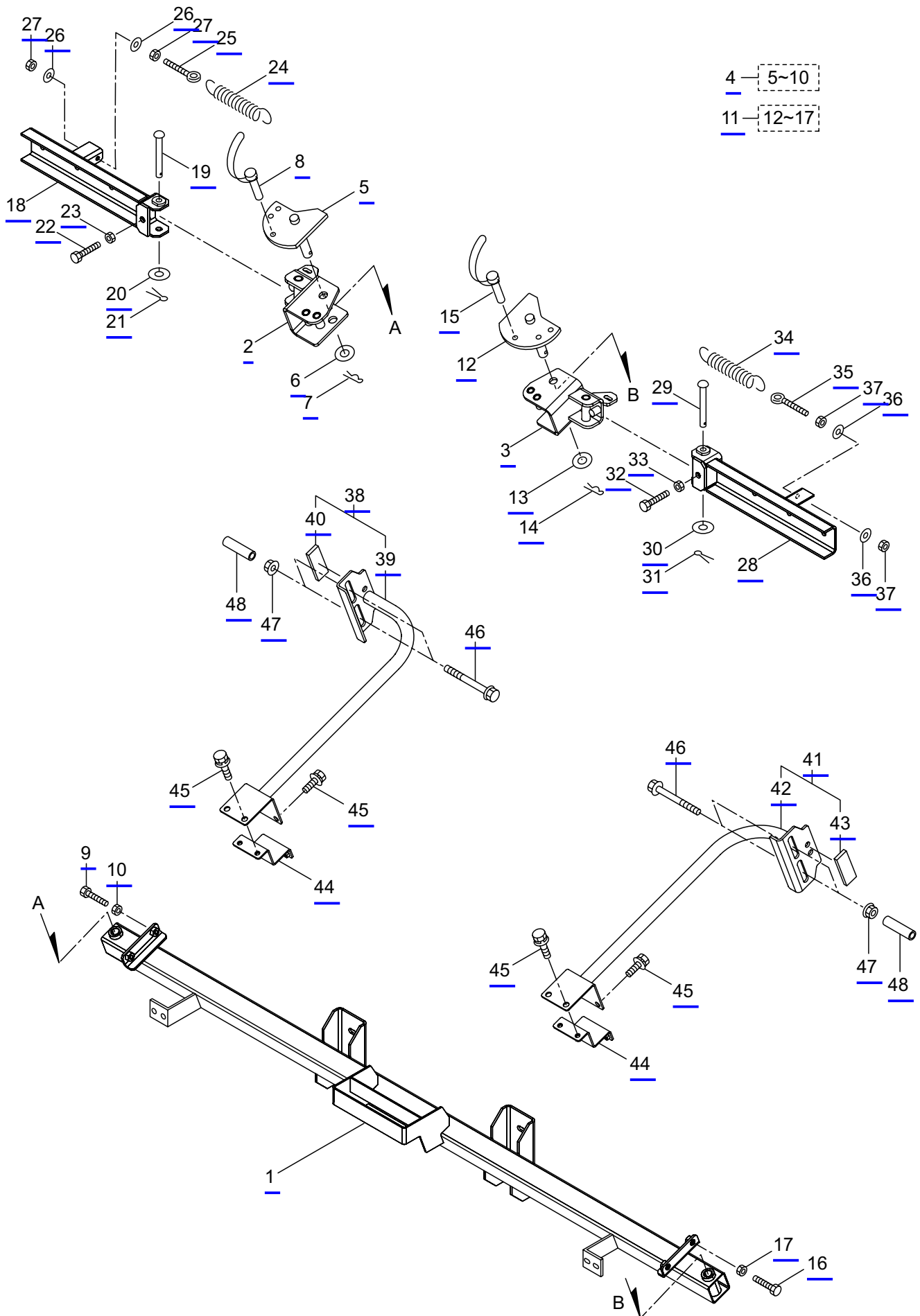
Ref. No.	Parts No.	Parts Name	Q'ty	Remarks
1-1	720032	BSM301	1	
1-2	567003	Fram Comp.	1	
1-3	567016	Pin Ass'y	2	Incl.4-8
1-4	567017	Pin	2	
1-5	567018	Washer	2	22.5x44xt3.2
1-6	567019	Spring Washer	2	M22(2)
1-7	567020	Nut(Hex)	2	M22x1.5(1)
1-8	567021	Pin.Set	2	
1-9	567023	Stand Ass'y	4	Incl.10-15
1-10	567024	Stand Comp.	4	
1-11	567027	Round Rivet	4	10x82.5L
1-12	<u>567028</u>	Washer	4	10.5x22xt3.2
1-13	<u>567029</u>	Split Pin	4	3.2x20L
1-14	<u>567030</u>	Stand Pin	4	
1-15	<u>567031</u>	Snap Pin	4	12x2.6

2. BSM301  
MAST



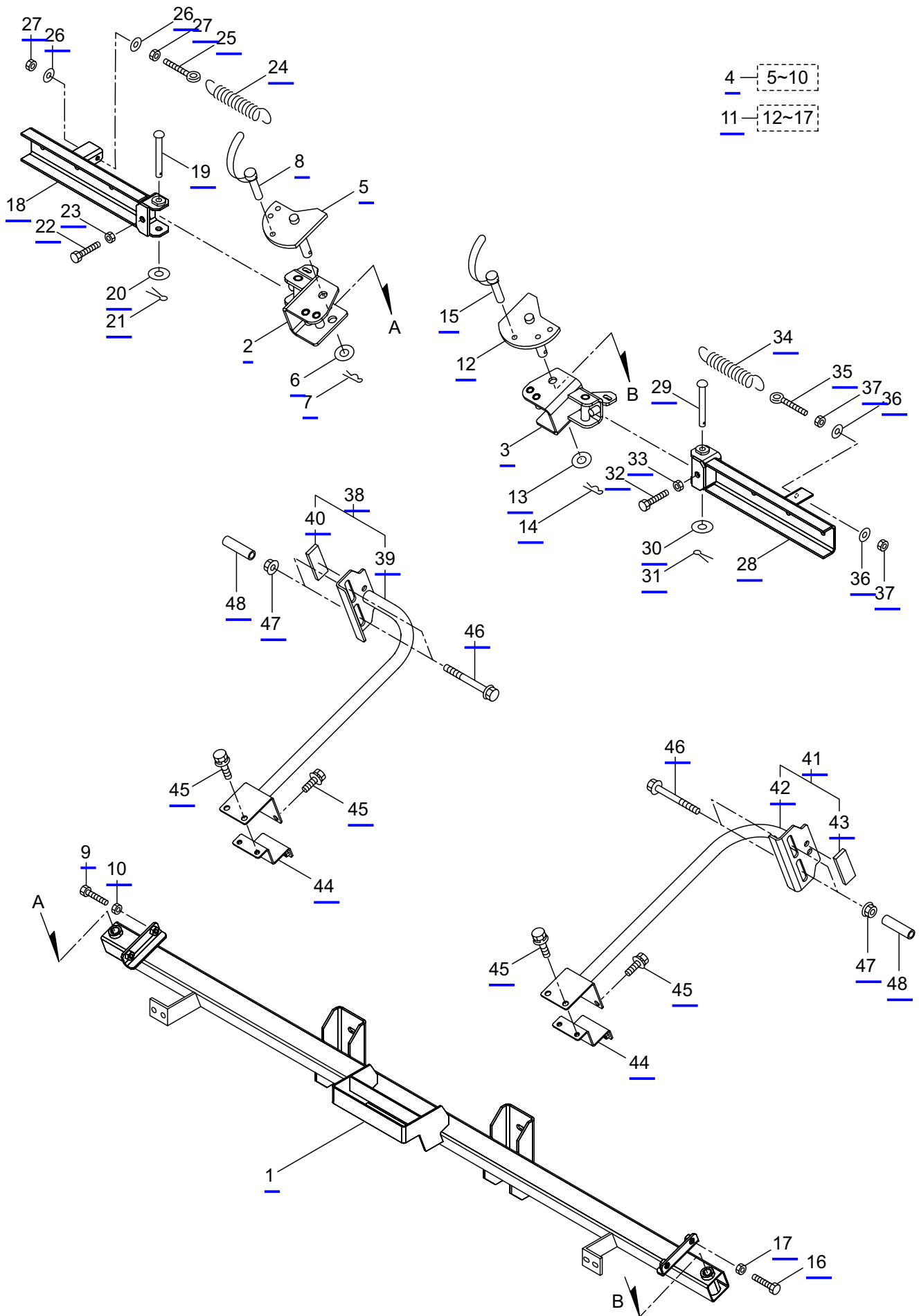
Ref. No.	Parts No.	Parts Name	Q'ty	Remarks
2-1	567037	Mast Comp.	1	
2-2	567046	Washer	4	12.5x30xt3.2
2-3	567047	Frang Bolt( <u>Hex</u> )	2	<u>M12x75</u>
2-4	567048	Frang Nut( <u>Hex</u> )	2	<u>M12(2)</u>
2-5	567052	Pipe Ass'y	1	Incl.6,7
2-6	567053	Pipe Comp.	1	
2-7	567058	Packing	1	
2-8	567059	Pipe Ass'y	1	Incl.9,10
2-9	567060	Pipe Comp.	1	
2-10	567058	Packing	1	
2-11	567062	Frang Bolt( <u>Hex</u> )	4	M10x70(2)
2-12	567063	Washer	4	11x30xt2.3
2-13	<u>567028</u>	Washer	4	10.5x22xt3.2
2-14	<u>567064</u>	Frang Nut( <u>Hex</u> )	4	M10(2)
2-15	<u>567065</u>	Frang Bolt( <u>Hex</u> )	4	M10x25(2)
2-16	<u>567028</u>	Washer	4	10.5x22xt3.2

### 3. BSM301 CENTER BOOM



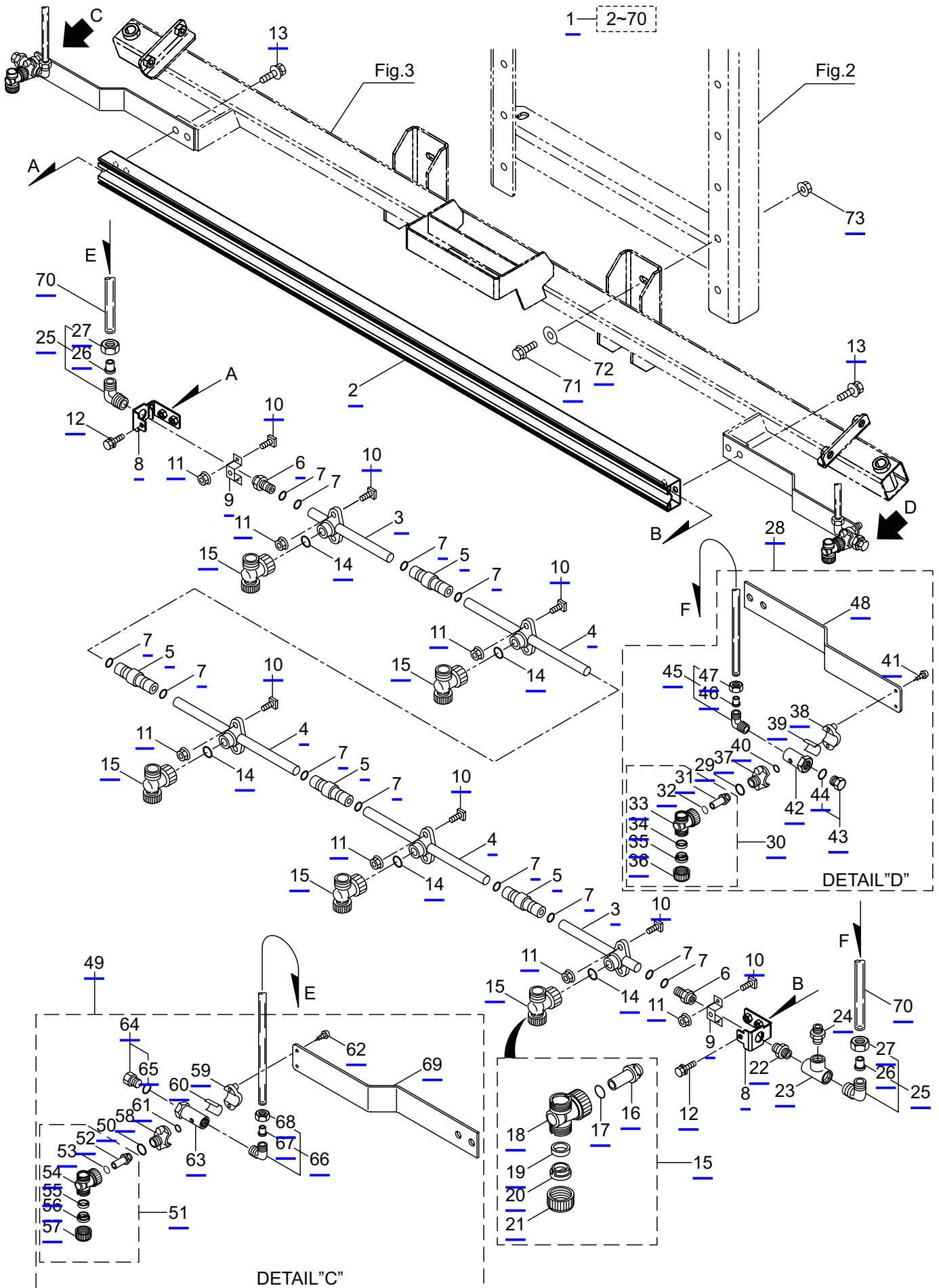
Ref. No.	Parts No.	Parts Name	Q'ty	Remarks
3-1	567118	Center Boom Comp.	1	
3-2	567358	Bracket Comp.	1	
3-3	567360	Bracket Comp.	1	
3-4	567135	Pin Stopper Ass'y	1	L Incl.5-10
3-5	567136	Shaft Comp.	1	L
3-6	567074	Washer	2	17x30xt3
3-7	<u>567140</u>	Snap Pin	1	3x28
3-8	<u>567141</u>	Shaft <u>Lock</u> Pin	1	
3-9	<u>567142</u>	Bolt( <u>Hex</u> )	2	M10x45
3-10	<u>567143</u>	Nut( <u>Hex</u> )	2	M10(2)
3-11	567144	Pin Stopper Ass'y	1	R Incl.12-17
3-12	567145	Shaft Comp.	1	R
3-13	567074	Washer	2	17x30xt3
3-14	<u>567140</u>	Snap Pin	1	3x28
3-15	<u>567141</u>	Shaft <u>Lock</u> Pin	1	
3-16	567142	Bolt( <u>Hex</u> )	2	M10x45
3-17	<u>567143</u>	Nut( <u>Hex</u> )	2	M10(2)
3-18	567146	Bracket Comp.	1	L
3-19	<u>567151</u>	Round Rivet	1	12x92.5L
3-20	567152	Washer	1	12.5x26xt2.3
3-21	567029	Split Pin	1	3.2x20L
3-22	567223	Bolt( <u>Hex</u> )	1	<u>M12x50LS</u>
3-23	567082	Nut( <u>Hex</u> )	1	<u>M12(2)</u>
3-24	567154	Spring	1	
3-25	<u>567155</u>	<u>Swing Bolt</u>	1	M8x1.25x58L
3-26	567156	Washer	2	8.5x18xt1.6
3-27	567167	Nut( <u>Hex</u> )	2	M8(2)
3-28	567157	Bracket Comp.	1	R
3-29	<u>567151</u>	Round Rivet	1	12x92.5L
3-30	567152	Washer	1	12.5x26xt2.3
3-31	567029	Split Pin	1	3.2x20L
3-32	567223	Bolt( <u>Hex</u> )	1	<u>M12x50LS</u>
3-33	567082	Nut( <u>Hex</u> )	1	<u>M12(2)</u>
3-34	567154	Spring	1	
3-35	<u>567155</u>	<u>Swing Bolt</u>	1	M8x1.25x58L
3-36	567156	Washer	2	8.5x18xt1.6
3-37	567167	Nut( <u>Hex</u> )	2	M8(2)
3-38	567296	Pipe Ass'y	1	L Incl.39,40
3-39	567297	Pipe Comp.	1	L
3-40	567301	Packing	1	30x80xt5
3-41	567302	Pipe Ass'y	1	R Incl.42,43
3-42	567303	Pipe Comp.	1	R
3-43	567301	Packing	1	30x80xt5
3-44	567304	Bracket Comp.	2	
3-45	567035	Bolt( <u>Hex</u> )WSW	8	M8x25

### 3. BSM301 CENTER BOOM



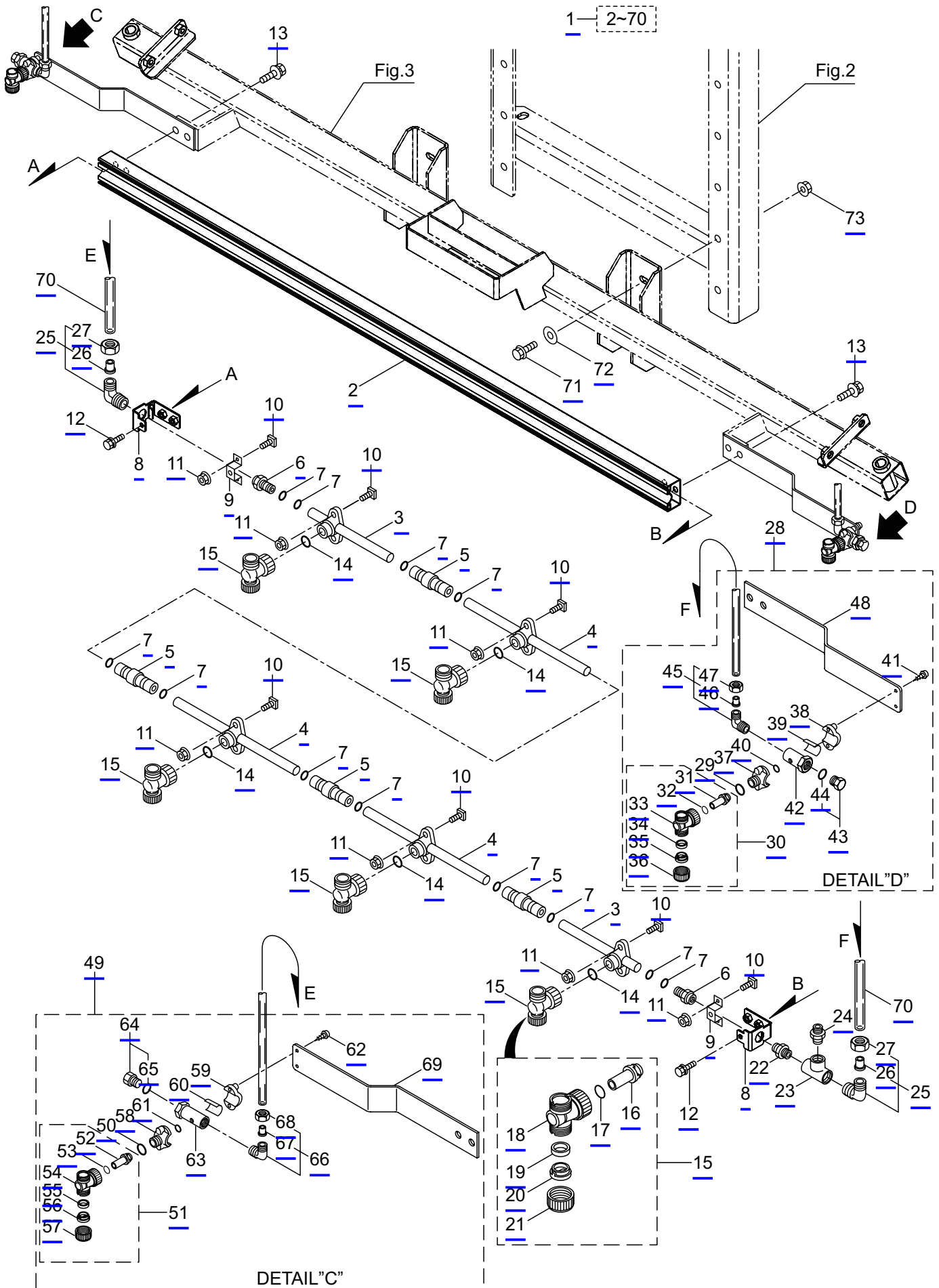
Ref. No.	Parts No.	Parts Name	Q'ty	Remarks
3-46	567047	Frang Bolt( <u>Hex</u> )	4	<u>M12</u> x75
3-47	567048	Frang Nut( <u>Hex</u> )	4	<u>M12</u> (2)
3-48	567285	<u>Hose</u>	4	11.5x16x60L

# 4. BSM301 CENTER PIPE



Ref. No.	Parts No.	Parts Name	Q'ty	Remarks
4-1	<u>567369</u>	Center Pipe Ass'y	1	Incl.2-70
4-2	<u>567160</u>	Boom Pipe	1	1275L
4-3	<u>862194</u>	Pipe	2	
4-4	<u>862195</u>	Pipe	3	
4-5	<u>862196</u>	Joint	4	
4-6	<u>567178</u>	End Clasp	2	RC1/4
4-7	<u>011373</u>	O-Ring	12	P-10
4-8	<u>567165</u>	Bracket Comp.	2	
4-9	<u>567168</u>	Stay Comp.	2	
4-10	<u>567170</u>	Bolt(Square)	14	M5x12
4-11	<u>567171</u>	Frange Nut(Hex)	14	M5(1)
4-12	<u>567172</u>	Bolt(Hex)WSW	2	M6x14
4-13	<u>567173</u>	Bolt(Hex)WSW	4	M8x20
4-14	<u>011345</u>	O-Ring	5	P-12
4-15	<u>567357</u>	2 Direction Nozzle	5	Incl.16-21
4-16	<u>177328</u>	Valve	5	
4-17	<u>011373</u>	O-Ring	5	P-10
4-18	<u>567218</u>	Nozzle Holder Ass'y	5	
4-19	<u>103171</u>	Packing	5	
4-20	<u>412893</u>	Nozzle Disk	5	
4-21	<u>100070</u>	Cap	5	
4-22	<u>550103</u>	Nipple	1	PT1/4
4-23	<u>143183</u>	Tee	1	1/4
4-24	<u>168467</u>	Nipple	1	PT1/4xPF3/8
4-25	<u>068736</u>	Elbow Ass'y	2	L2N-5/16-PT1/4 Incl.26,27
4-26	<u>066302</u>	Sleeve	2	
4-27	<u>066303</u>	Nut	2	
4-28	<u>567370</u>	Right Nozzle Ass'y	1	Incl.29-48
4-29	<u>011345</u>	O-Ring	1	P-12
4-30	<u>567357</u>	2 Direction Nozzle	1	Incl.31-36
4-31	<u>177328</u>	Valve	1	
4-32	<u>011373</u>	O-Ring	1	P-10
4-33	<u>567218</u>	Nozzle Holder Ass'y	1	
4-34	<u>103171</u>	Packing	1	
4-35	<u>412893</u>	Nozzle Disk	1	
4-36	<u>100070</u>	Cap	1	
4-37	<u>187560</u>	Body	1	
4-38	<u>148709</u>	Cover	1	
4-39	<u>148710</u>	Rubber Plate	1	16x24xt1.5
4-40	<u>022056</u>	O-Ring	1	P7
4-41	<u>089961</u>	Screw	2	ST3.5x24
4-42	<u>688622</u>	Nipple	1	R1/4xG1/4
4-43	<u>091376</u>	Plug Ass'y	1	G1/4 Incl.44
4-44	<u>023170</u>	O-Ring	1	P12.5
4-45	<u>068736</u>	Elbow Ass'y	1	L2N-5/16-PT1/4 Incl.46,47

# 4. BSM301 CENTER PIPE



Ref. No.	Parts No.	Parts Name	Q'ty	Remarks
4-46	066302	Sleeve	1	
4-47	066303	Nut	1	
4-48	567362	Stay	1	
4-49	567371	Left Nozzle Ass'y	1	Incl.50-69
4-50	<a href="#">011345</a>	<a href="#">O-Ring</a>	1	P-12
4-51	<a href="#">567357</a>	2 Direction Nozzle	1	Incl.52-57
4-52	<a href="#">177328</a>	Valve	1	
4-53	<a href="#">011373</a>	<a href="#">O-Ring</a>	1	P-10
4-54	567218	Nozzle Holder Ass'y	1	
4-55	103171	Packing	1	
4-56	<a href="#">412893</a>	Nozzle Disk	1	
4-57	<a href="#">100070</a>	Cap	1	
4-58	<a href="#">187560</a>	Body	1	
4-59	<a href="#">148709</a>	Cover	1	
4-60	<a href="#">148710</a>	Rubber Plate	1	16x24xt1.5
4-61	<a href="#">022056</a>	<a href="#">O-Ring</a>	1	P7
4-62	<a href="#">089961</a>	Screw	2	ST3.5x24
4-63	<a href="#">688622</a>	Nipple	1	R1/4xG1/4
4-64	<a href="#">091376</a>	Plug Ass'y	1	G1/4 Incl.65
4-65	<a href="#">023170</a>	<a href="#">O-Ring</a>	1	P12.5
4-66	068736	Elbow Ass'y	1	L2N-5/16-PT1/4 Incl.67,68
4-67	066302	Sleeve	1	
4-68	066303	Nut	1	
4-69	567362	Stay	1	
4-70	158366	Tube	2	N2-1-5/16x400
4-71	<a href="#">567065</a>	Frang Bolt( <a href="#">Hex</a> )	4	M10x25(2)
4-72	<a href="#">567028</a>	Washer	4	10.5x22xt3.2
4-73	567064	Frang Nut( <a href="#">Hex</a> )	4	M10(2)

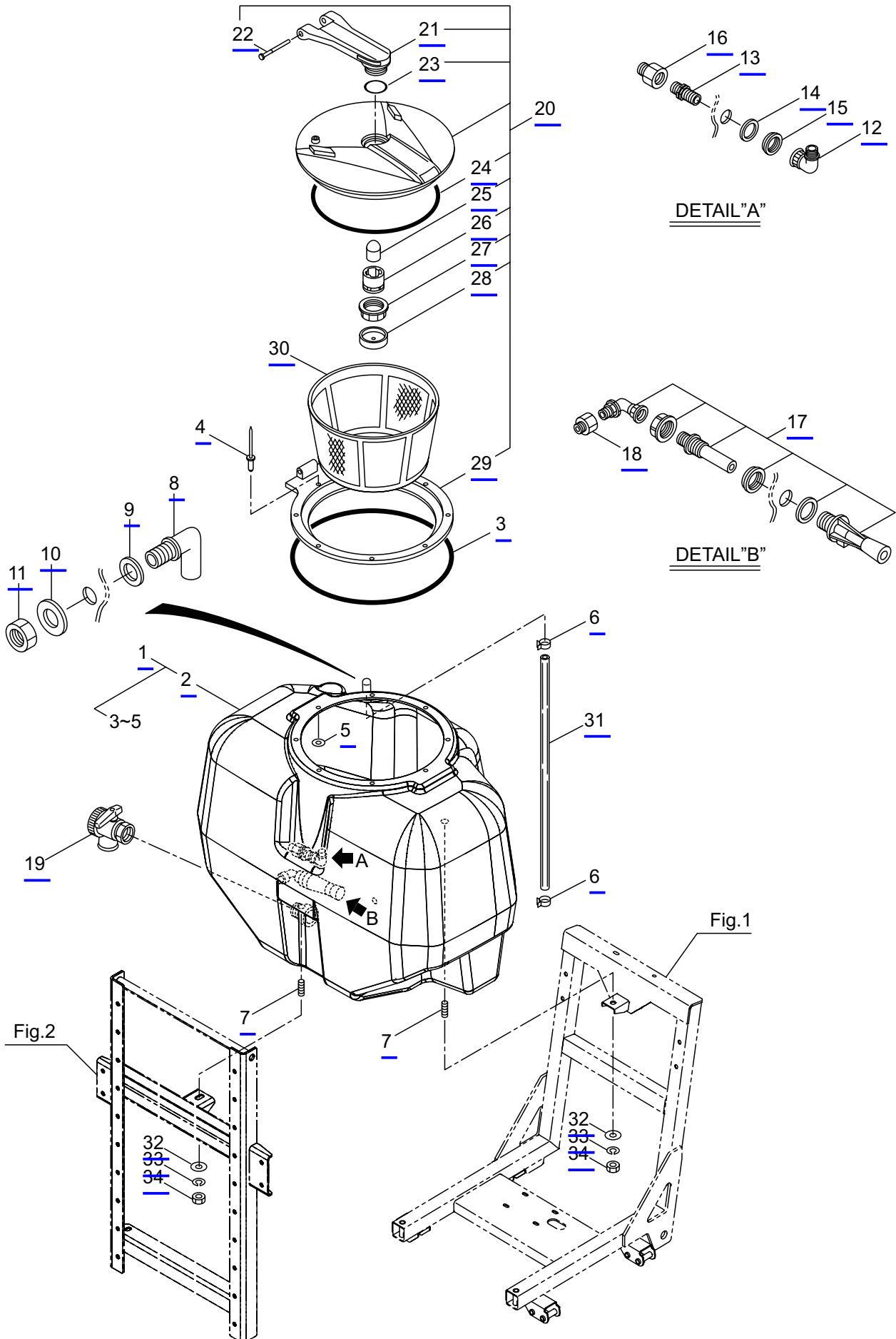


Ref. No.	Parts No.	Parts Name	Q'ty	Remarks
5-1	567372	Right Boom Ass'y	1	Incl.2-26
5-2	567179	Plug	1	R1/4
5-3	<a href="#">862195</a>	Pipe	8	
5-4	<a href="#">862194</a>	Pipe	1	
5-5	<a href="#">862196</a>	Joint	8	
5-6	567163	End Clasp	1	G3/8
5-7	<a href="#">567178</a>	End Clasp	1	RC1/4
5-8	<a href="#">011373</a>	O-Ring	20	P-10
5-9	567177	Boom Pipe	1	2580L
5-10	567180	Bracekt Comp.	1	
5-11	567165	Bracket Comp.	1	
5-12	567168	Stay Comp.	2	
5-13	567170	Bolt(Square)	22	M5x12
5-14	567171	Frange Nut(Hex)	22	M5(1)
5-15	567172	Bolt(Hex)WSW	1	M6x14
5-16	<a href="#">567173</a>	Bolt(Hex)WSW	5	M8x20
5-17	<a href="#">011345</a>	O-Ring	9	P-12
5-18	<a href="#">567357</a>	2 Direction Nozzle	9	Incl.19-24
5-19	<a href="#">177328</a>	Valve	9	
5-20	<a href="#">011373</a>	O-Ring	9	P-10
5-21	567218	Nozzle Holder Ass'y	9	
5-22	103171	Packing	9	
5-23	<a href="#">412893</a>	Nozzle Disk	9	
5-24	<a href="#">100070</a>	Cap	9	
5-25	567181	Bolt(Hex)	1	M6x20
5-26	567182	Nut(Hex)	1	M6(2)



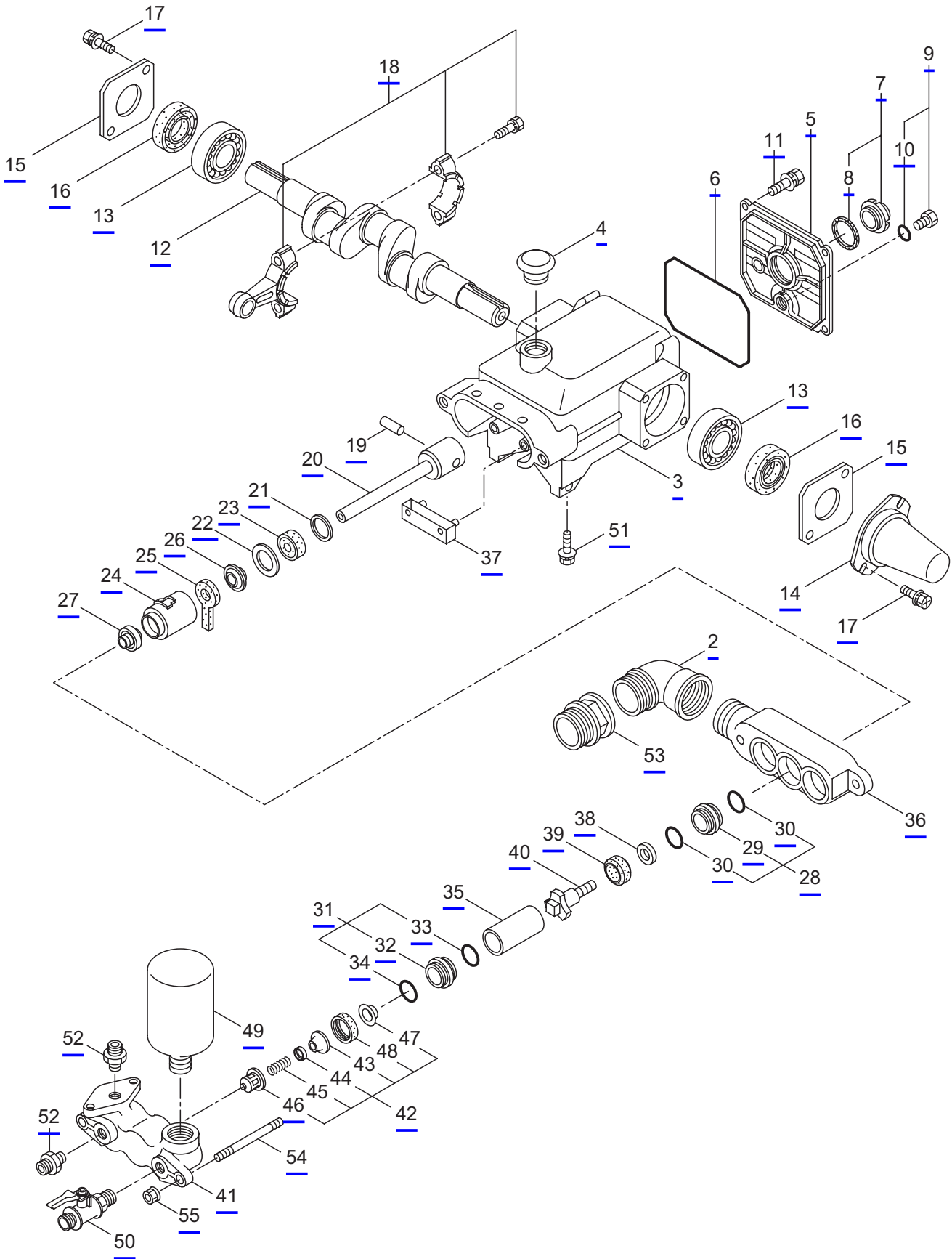
Ref. No.	Parts No.	Parts Name	Q'ty	Remarks
6-1	567373	Left Boom Ass'y	1	Incl.2-26
<u>6-2</u>	<u>862194</u>	Pipe	1	
6-3	<u>862195</u>	Pipe	8	
6-4	567179	Plug	1	R1/4
6-5	<u>862196</u>	Joint	8	
6-6	567163	End Clasp	1	G3/8
6-7	<u>567178</u>	End Clasp	1	RC1/4
6-8	<u>011373</u>	O-Ring	20	P-10
6-9	567177	Boom Pipe	1	2580L
6-10	567180	Bracekt Comp.	1	
6-11	567165	Bracket Comp.	1	
<u>6-12</u>	<u>567168</u>	Stay Comp.	2	
6-13	567170	Bolt(Square)	22	M5x12
6-14	567171	Frange Nut(Hex)	22	M5(1)
6-15	567172	Bolt(Hex)WSW	1	M6x14
6-16	<u>567173</u>	Bolt(Hex)WSW	5	M8x20
6-17	<u>011345</u>	O-Ring	9	P-12
6-18	<u>567357</u>	2 Direction Nozzle	9	Incl.19-24
6-19	<u>177328</u>	Valve	9	
<u>6-20</u>	<u>011373</u>	O-Ring	9	P-10
<u>6-21</u>	567218	Nozzle Holder Ass'y	9	
<u>6-22</u>	103171	Packing	9	
<u>6-23</u>	<u>412893</u>	Nozzle Disk	9	
<u>6-24</u>	<u>100070</u>	Cap	9	
<u>6-25</u>	567181	Bolt(Hex)	1	M6x20
<u>6-26</u>	567182	Nut(Hex)	1	M6(2)

7. BSM301  
CHEMICAL TANK



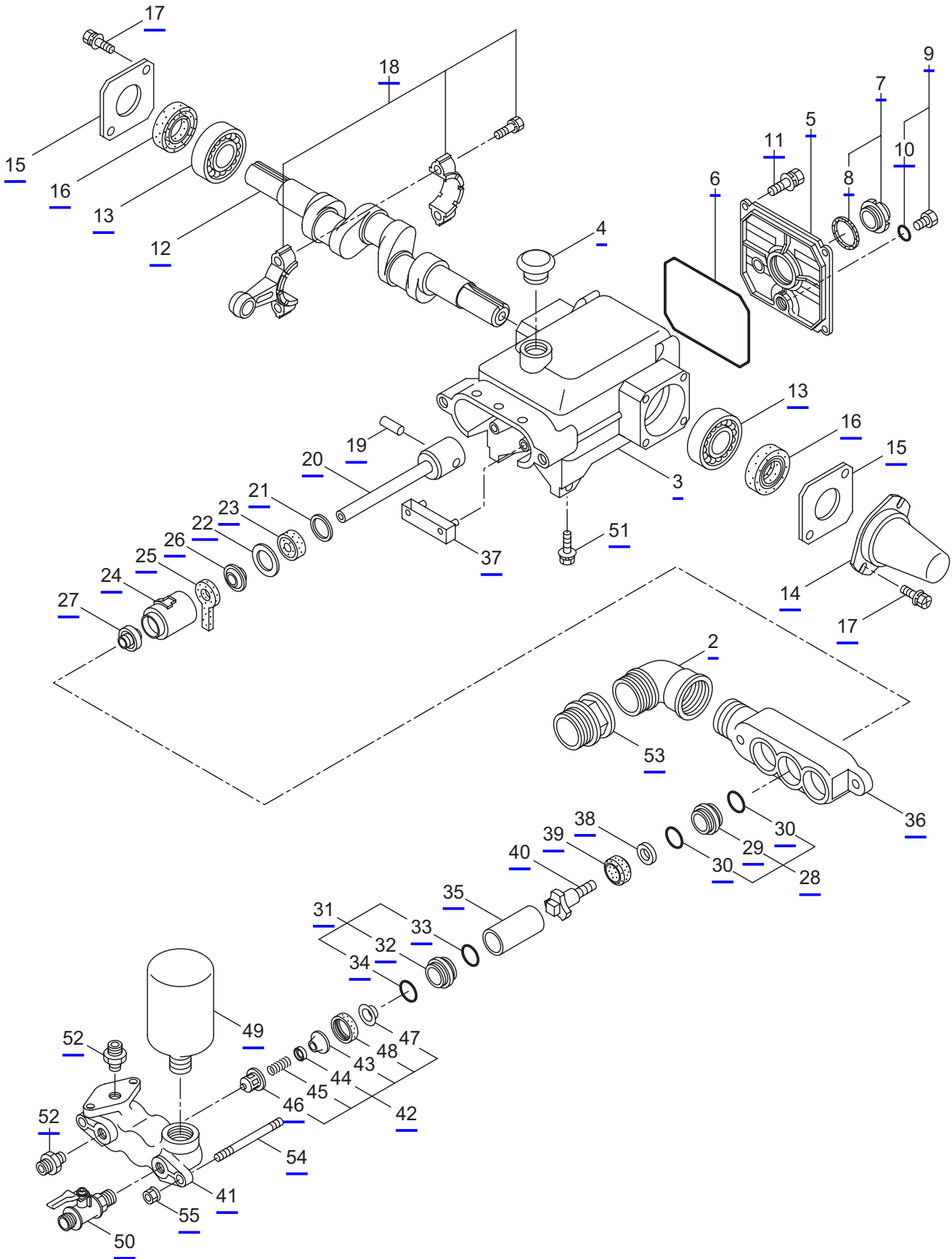
Ref. No.	Parts No.	Parts Name	Q'ty	Remarks
7-1	567225	Chemical Tank Ass'y	1	Incl.2-5
7-2	567226	Chemical Tank Comp.	1	
7-3	<u>172197</u>	Packing	1	
7-4	567071	Rivet	8	4.8x25L
7-5	567072	Washer	8	5.5x11.7xt0.8
7-6	567220	Wire Clip	2	18.7-19.6
7-7	567073	Stud Bolt	2	<u>M12</u> x28x15x22
7-8	150772	Elbow	2	
7-9	150773	Packing	2	17x25x4
7-10	567074	Washer	2	17x30xt3
7-11	567075	Nut( <u>Hex</u> )	2	G3/8
7-12	688377	Elbow	1	
7-13	567076	Nipple	1	
7-14	567077	Gasket	1	
7-15	567078	<u>Lock</u> Ring	1	
7-16	567079	Extension	1	G1/2xG3/8
7-17	<u>567214</u>	Jet Nozzle	1	
7-18	567079	Extension	1	G1/2xG3/8
7-19	<u>567395</u>	3-Way Ball Valves	1	
7-20	<u>172203</u>	Water Inlet Lid Ass'y	1	Incl.21-29
7-21	<u>646624</u>	Arm	1	
7-22	<u>646625</u>	Pin	1	
7-23	<u>646626</u>	<u>O-Ring</u>	1	
7-24	<u>186835</u>	Packing	1	
7-25	183682	Float	1	
7-26	646628	Float Case	1	
7-27	189950	Nut	1	
7-28	646629	Float Cap	1	
7-29	<u>172196</u>	Nut Ring	1	
7-30	<u>162792</u>	Strainer	1	
7-31	567081	Vinyl <u>Hose</u>	1	12x16x830L
7-32	567046	Washer	2	12.5x30xt3.2
7-33	567116	Spring Washer	2	<u>M12</u> (2)
7-34	567082	Nut( <u>Hex</u> )	2	<u>M12</u> (2)

8. BSM301  
POWER SPRAYER



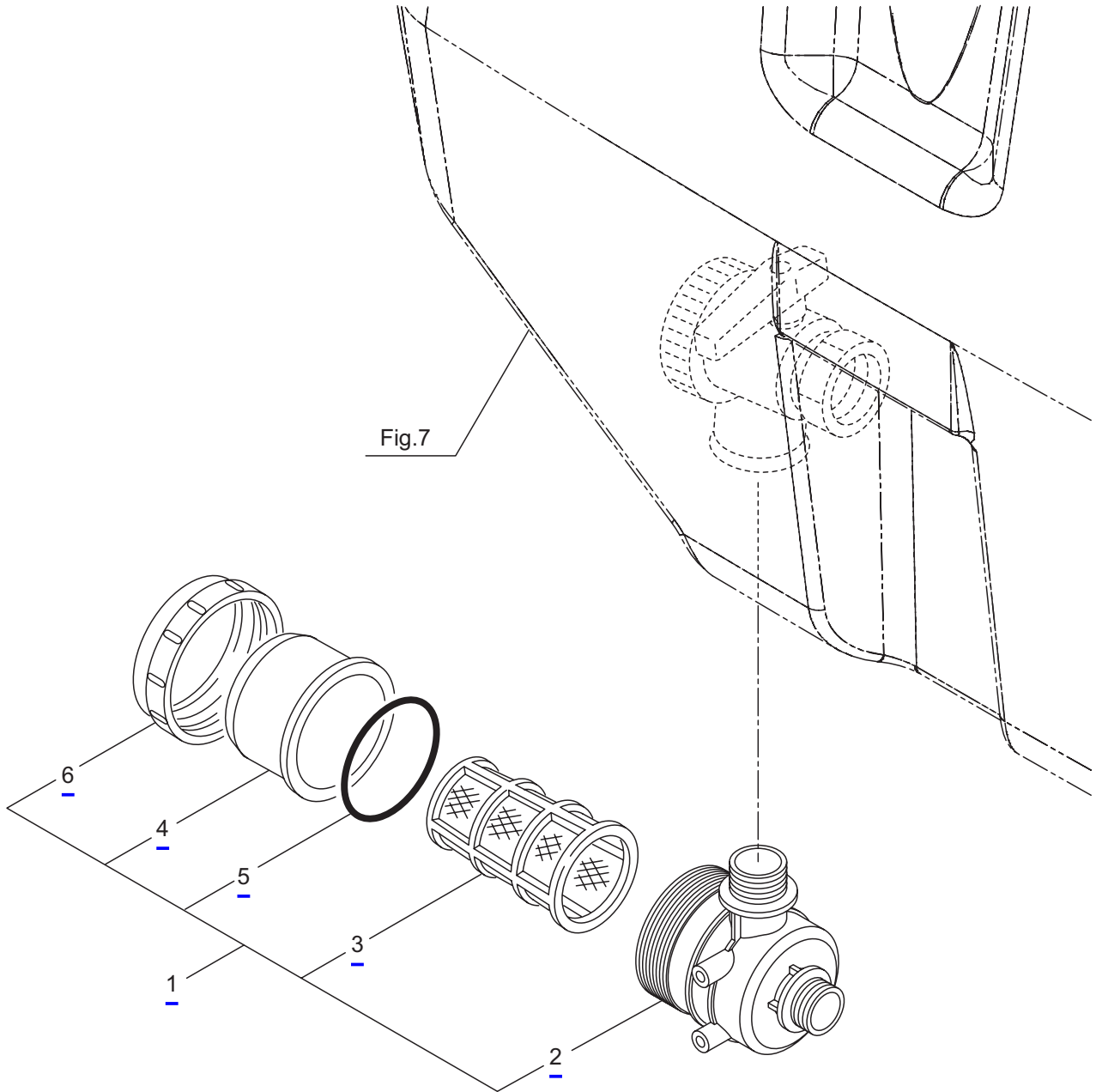
Ref. No.	Parts No.	Parts Name	Q'ty	Remarks
8-1	<u>818565</u>	MS330	1	
8-2	<u>189464</u>	Elbow	1	
8-3	<u>125113</u>	Crankcase	1	
8-4	<u>117420</u>	Oil Filler Cap	1	
8-5	<u>830216</u>	Rear Cover, Crankcase	1	
8-6	<u>014041</u>	O-Ring	1	S100
8-7	<u>092241</u>	Oil Gauge Ass'y	1	Incl.8
8-8	<u>044428</u>	Packing	1	25x34xt2
8-9	<u>091376</u>	Drain Plug	1	G1/4 Incl.10
8-10	<u>023170</u>	O-Ring	1	P12.5
8-11	<u>125824</u>	Bolt	4	M6x16
8-12	<u>103921</u>	Crankshaft	1	
8-13	<u>014487</u>	Bearing	2	#6304
8-14	<u>025130</u>	Shaft Protector	1	
8-15	<u>117424</u>	Plate	2	T1.2
8-16	<u>117423</u>	Oil Seal	2	TC20528
8-17	<u>125824</u>	Bolt	4	M6x16
8-18	<u>048734</u>	Connecting Rod Ass'y	3	
8-19	<u>016948</u>	Piston Pin	3	9x22L
8-20	<u>131358</u>	Piston Rod	3	
8-21	<u>126259</u>	Washer	3	17x24xt1.2
8-22	<u>126189</u>	Washer	3	20x28xt1.2
8-23	<u>025461</u>	Oil Seal	3	S10.5247
8-24	<u>027710</u>	Seal Retainer	3	
8-25	<u>027711</u>	Felt Packing	3	10x24x5
8-26	<u>026853</u>	Packing	3	
8-27	<u>100015</u>	Seal	3	
8-28	<u>091109</u>	Adapter Ass'y	3	Incl.29,30
8-29	<u>016957</u>	Adapter	3	
8-30	<u>015862</u>	O-Ring	6	<u>P21</u>
8-31	<u>091108</u>	Adapter Ass'y	3	Incl.32-34
8-32	<u>022931</u>	Adapter	3	
8-33	<u>015862</u>	O-Ring	3	<u>P21</u>
8-34	<u>023172</u>	O-Ring	3	P22
8-35	<u>022929</u>	Cylinder Pipe	3	25x28.5x55L
8-36	<u>123765</u>	Inlet Manifold	1	
8-37	<u>027712</u>	Oil Pan	1	
8-38	<u>124277</u>	Inlet Valve Seat	3	6.1x20xt2.8
8-39	<u>116121</u>	Piston Packing	3	
8-40	<u>118628</u>	Piston Retainer	3	
8-41	<u>130150</u>	Discharge Manifold	1	
8-42	<u>105510</u>	Discharge Valve Ass'y	3	Incl.43-48
8-43	<u>105511</u>	Discharge Valve Seat	3	
8-44	<u>022842</u>	Discharge Valve	3	
8-45	<u>022031</u>	Spring	3	

8. BSM301  
POWER SPRAYER



Ref. No.	Parts No.	Parts Name	Q'ty	Remarks
8-46	<a href="#">105512</a>	Retainer	3	
8-47	<a href="#">105513</a>	Packing Ring	3	
8-48	<a href="#">105514</a>	Valve Case	3	
8-49	<a href="#">117813</a>	Air Chamber	1	
8-50	<a href="#">117609</a>	Cock Ass'y	1	G1/4xR1/4
8-51	567035	Bolt(Hex)WSW	4	M8x25
<a href="#">8-52</a>	130152	Nipple	2	R1/4xG3/8
<a href="#">8-53</a>	567034	Femalereducer Nipple	1	
8-54	<a href="#">127331</a>	Stud	2	M8x150x11x18
8-55	<a href="#">126201</a>	Nut	2	M8

9. BSM301  
STRAINER



Ref. No.	Parts No.	Parts Name	Q'ty	Remarks
9-1	567320	Suction Filters	1	Incl.2-6
9-2	567321	Body	1	
9-3	567322	Strainer	1	#80 Yellow
9-4	<u>567323</u>	Cap	1	
9-5	<u>567292</u>	O-Ring	1	
9-6	<u>161304</u>	Nut	1	

10. BSM301  
WATER DIVERSION

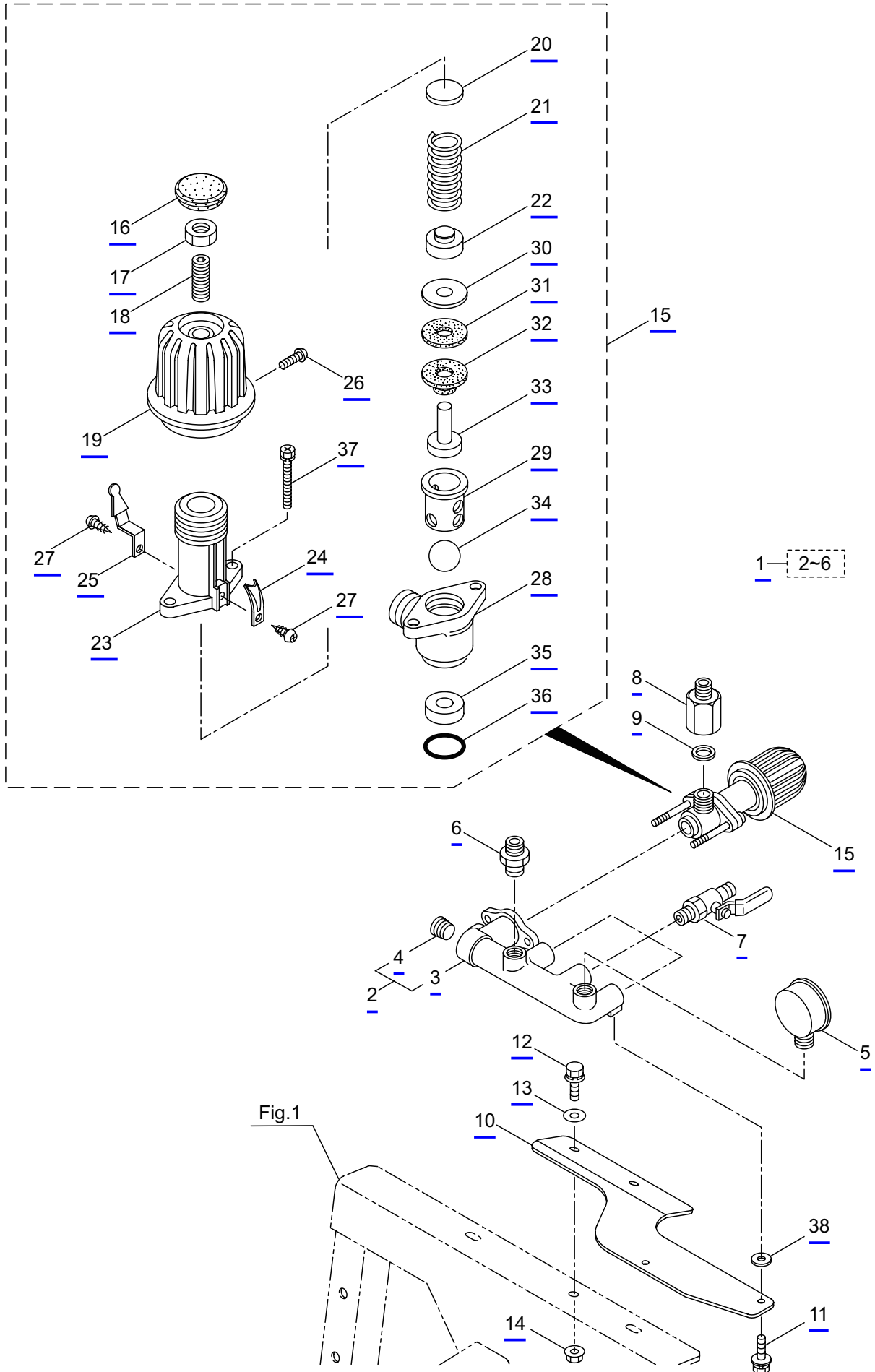
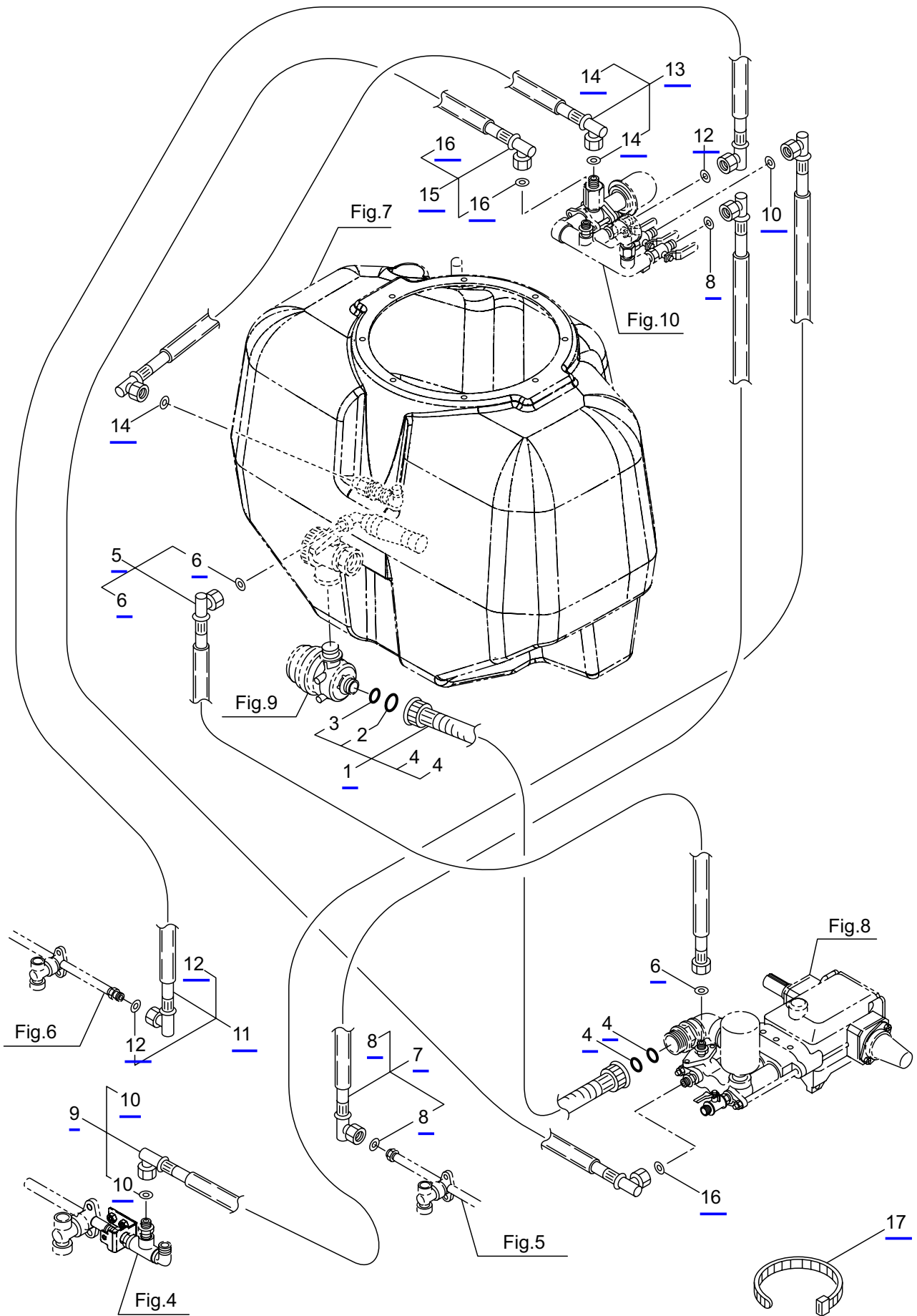


Fig.1

Ref. No.	Parts No.	Parts Name	Q'ty	Remarks
10-1	567084	Water Diversion Ass'y	1	Incl.2-6
10-2	567085	Water Diversion Ass'y	1	Incl.3,4
10-3	567086	Water Diversion	1	
10-4	863966	Plug	1	R1/2
10-5	<u>567087</u>	Pressure Gauge	1	
10-6	567088	Nipple	1	R3/8xG3/8
10-7	<u>120835</u>	Ball Cock	3	G3/8xR3/8
10-8	567079	Extension	1	G1/2xG3/8
10-9	567090	Gasket	1	12x18.5xt3
10-10	567364	Bracket	1	
10-11	567172	Bolt(Hex)WSW	2	M6x14
10-12	567035	Bolt(Hex)WSW	2	M8x25
10-13	567094	Washer	2	8.5x25xt2.3
10-14	567095	Frang Nut(Hex)	2	M8(2)
10-15	<u>130196</u>	Pressure Regulator Valve Ass'y	1	Incl.16-37
10-16	<u>105518</u>	Cap	1	
10-17	<u>126195</u>	Nut	1	M10
10-18	<u>088975</u>	Screw	1	M10x49
10-19	<u>130197</u>	Grip	1	
10-20	<u>126196</u>	Retainer	1	17x2.3
10-21	<u>105520</u>	Spring	1	
10-22	<u>105521</u>	Retainer	1	
10-23	<u>117448</u>	Case	1	
10-24	<u>117440</u>	Plate	1	
10-25	<u>105524</u>	Indicator	1	
10-26	<u>089899</u>	Tapping Screw	2	M4x13
10-27	<u>127284</u>	Tapping Screw	2	M4x6
10-28	<u>117442</u>	Body	1	
10-29	<u>012256</u>	Retainer	1	
10-30	<u>012255</u>	Washer	1	6.2x22xt0.6
10-31	<u>016972</u>	Bellows Packing	1	5x22x1.5
10-32	<u>011451</u>	Bellows	1	
10-33	<u>016975</u>	Valve Rod	1	
10-34	<u>107238</u>	Valve Ball	1	12.7(1/2)
10-35	<u>117443</u>	Valve Seat	1	
10-36	<u>014179</u>	O-Ring	1	P20
10-37	<u>126197</u>	Bolt	2	M6x55
10-38	567156	Washer	2	8.5x18xt1.6

11. BSM301  
CHEMICAL PIPING



Ref. No.	Parts No.	Parts Name	Q'ty	Remarks
11-1	<u>567243</u>	Suction <u>Hose</u> Comp.	1	25x130L Incl.2-4
11-2	<u>161308</u>	<u>O-Ring</u>	1	
11-3	<u>161307</u>	<u>O-Ring</u>	1	
11-4	<u>161309</u>	<u>O-Ring</u>	2	
11-5	<u>567191</u>	<u>Hose</u> Comp.	1	10x1Bx380L Incl.6
11-6	<u>111569</u>	Packing	2	9.5x15x1.5
11-7	<u>567375</u>	<u>Hose</u> Comp.	1	10x1Bx2200L Incl.8
11-8	<u>111569</u>	Packing	2	9.5x15x1.5
11-9	<u>567378</u>	<u>Hose</u> Comp.	1	10x1Bx1700L Incl.10
11-10	<u>111569</u>	Packing	2	9.5x15x1.5
11-11	<u>567381</u>	<u>Hose</u> Comp.	1	10x1Bx3000L Incl.12
11-12	<u>111569</u>	Packing	2	9.5x15x1.5
11-13	<u>567384</u>	<u>Hose</u> Comp.	1	10x1Bx1050L Incl.14
11-14	<u>111569</u>	Packing	2	9.5x15x1.5
11-15	<u>567387</u>	<u>Hose</u> Comp.	1	10x1Bx1330L Incl.16
11-16	<u>111569</u>	Packing	2	9.5x15x1.5
11-17	<u>567215</u>	Band	12	CV-350B

# 12. BSM301 LABEL, ACCESSORIES

1

**警告**

- ・服装は、体にあったものを着用して下さい。保護着・保護マスク・保護メガネ・ゴム手袋・作業靴（長靴）等を用意し、安全な服装で作業すること。
- ・飲料水源及び生物を飼育している湖沼からの直接給水は絶対に行わないこと。
- ・散布計画を立て、薬剤は余らないようにすること。
- ・スプレーヤの取付け、取外しを行う場合は、薬剤タンクを空の状態で行うこと。
- ・転落事故のおそれがあるため、急発進・急旋回・急制動は行わないこと。

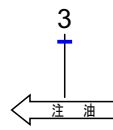
P/N. 587346

2

**注意**

**薬剤の取扱い注意**

- ・使用する薬剤の取扱説明書をよく読んで正しく使用すること。
- ・散布する高さを調節する時は、安全のため3人で行うこと。
- ・作業時に噴霧用ポンプのオイル点検を行うこと。



4

閉 ↑ 右ノズル ↓ 開  
閉 ↑ 中ノズル ↓ 開  
閉 ↑ 左ノズル ↓ 開

5

**送液バルブの取扱い方**

運転前に送液バルブが開いているか確認してください。

送液バルブ

閉

**吸水ストレーナの点検・清掃**

作業終了後、キャップを外しサクシヨンストレーナの点検・清掃を行います。終了後は、Oリングの脱落に注意し、キャップを確実に締めてください。

開

サクシヨンストレーナ

Oリング

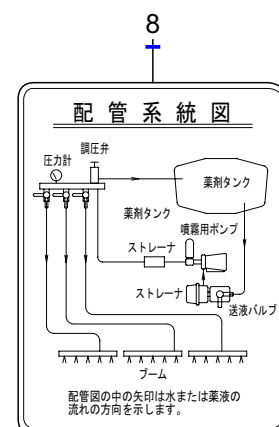
6

常用圧力 1.5~2.0 MPa

7

**取扱要領**

散布作業を停止、もしくは終了させる場合は、調圧ダイヤルを左いっぱいに戻し、圧力を下げたからPTOを切ること。



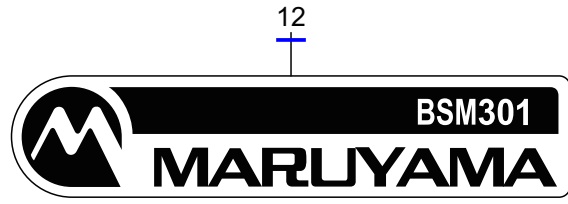
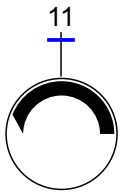
9

**注意**

ローリングを上げすぎると、トラクタと接触し、トラクタまたはブームスプレーヤを破損させるおそれがあります。

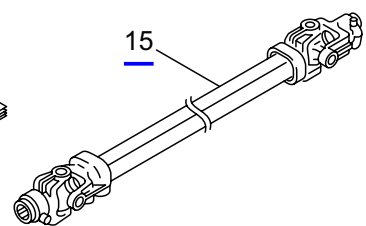
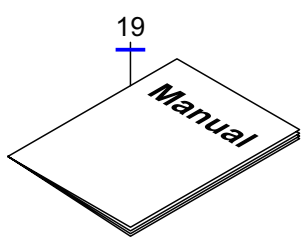
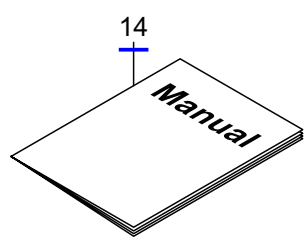
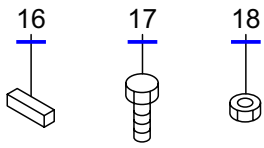
10

PTO  
580~820rpm



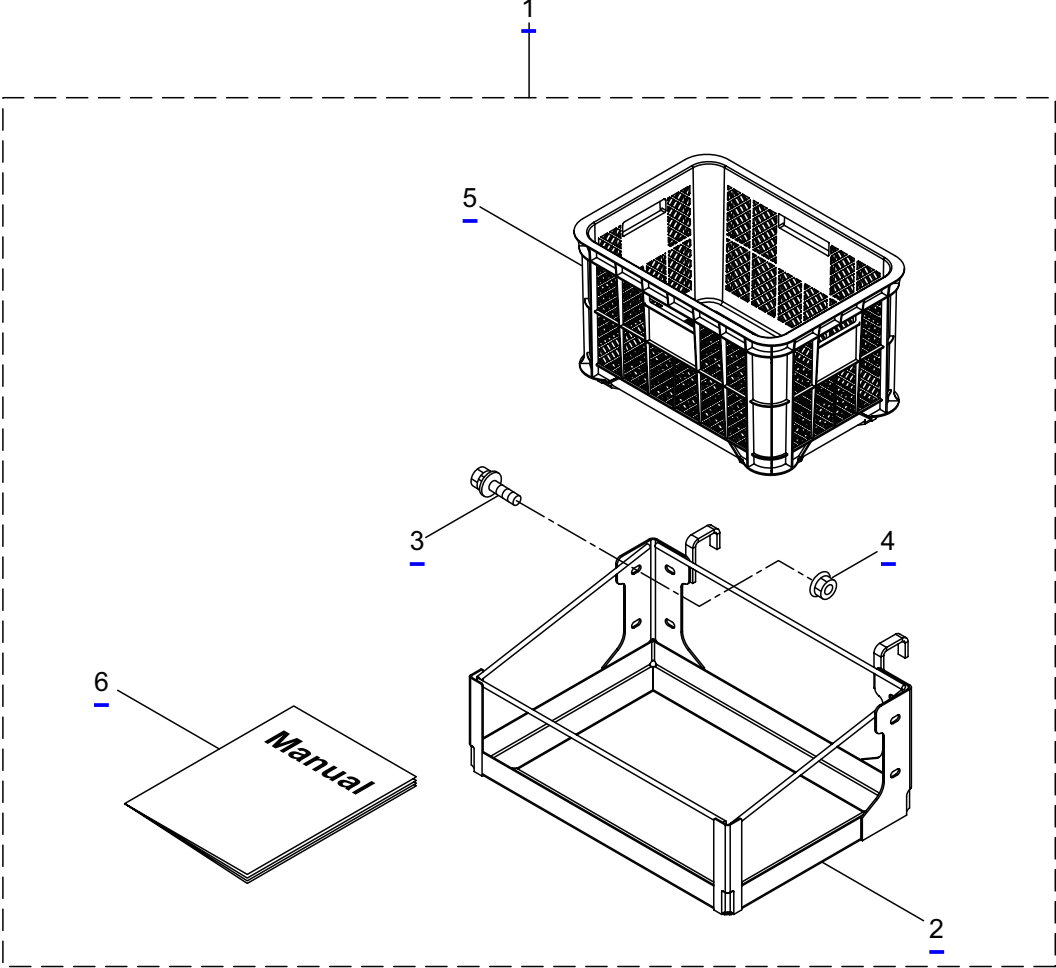
13

常用圧力 1.5 MPa



Ref. No.	Parts No.	Parts Name	Q'ty	Remarks
12-1	567345	Label	1	Warning
12-2	567346	Label	1	Caution
12-3	567338	Label	1	Lubrication
12-4	567343	Label	1	Operation Nozzle
12-5	567342	Label	1	How To
12-6	567339	Label	1	Pressure
12-7	567340	Label	1	Instruction
12-8	567341	Label	1	Piping Chart
12-9	567344	Label	1	Lowerlink
12-10	567238	Label	1	PTO
<u>12-11</u>	567306	Label	1	Red Zone
12-12	567392	Label	2	BSM301 M
12-13	186992	Label	1	
<u>12-14</u>	567394	Instruction Manual	1	BSM301MLJP
<u>12-15</u>	567329	Universal Joint	1	
<u>12-16</u>	<u>567183</u>	Key	1	5x5x25
<u>12-17</u>	567184	Bolt(Hex)	1	M8x35
<u>12-18</u>	567167	Nut(Hex)	1	M8(2)
<u>12-19</u>	567396	Instruction Manual	1	BSM301MLJP

13. BSM301  
OPTION (Container Box)



Ref. No.	Parts No.	Parts Name	Q'ty	Remarks
13-1	869347	Container <u>Box</u> Ass'y	1	Incl.2-6
13-2	869348	Bracket	1	
13-3	092589	Bolt	4	M10x25
13-4	865386	Nut	4	M10
13-5	866197	Container <u>Box</u>	1	
13-6	869355	Installation Manual	1	Container <u>Box</u>