



**PARTS MANUAL**

**EE48FR691V32CE  
EE52FR691V32CE**



**WWW.ENCOREEQUIPMENT.COM**

**401 COMMERCE STREET**

**BEATRICE, NE 68310**

**800-267-4255**

**FAX – 402-223-4103**



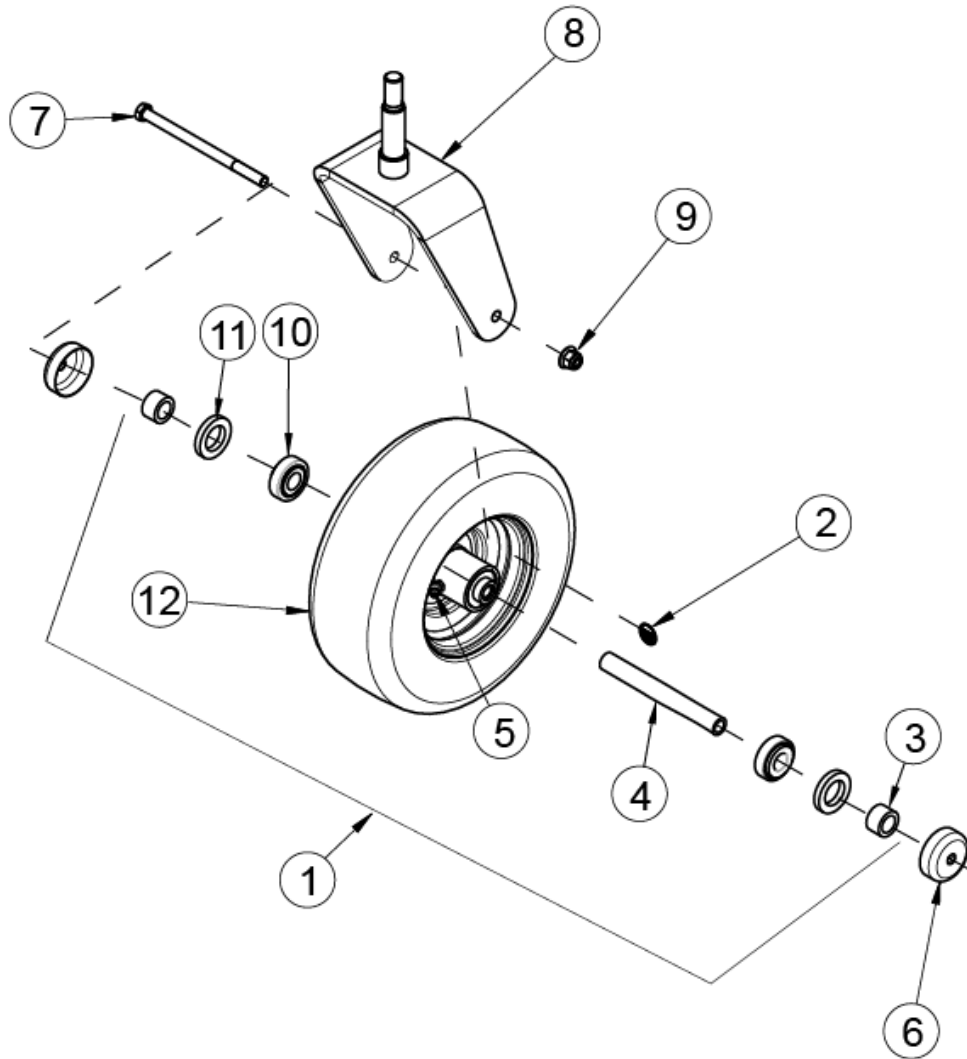
---

---

## Contents

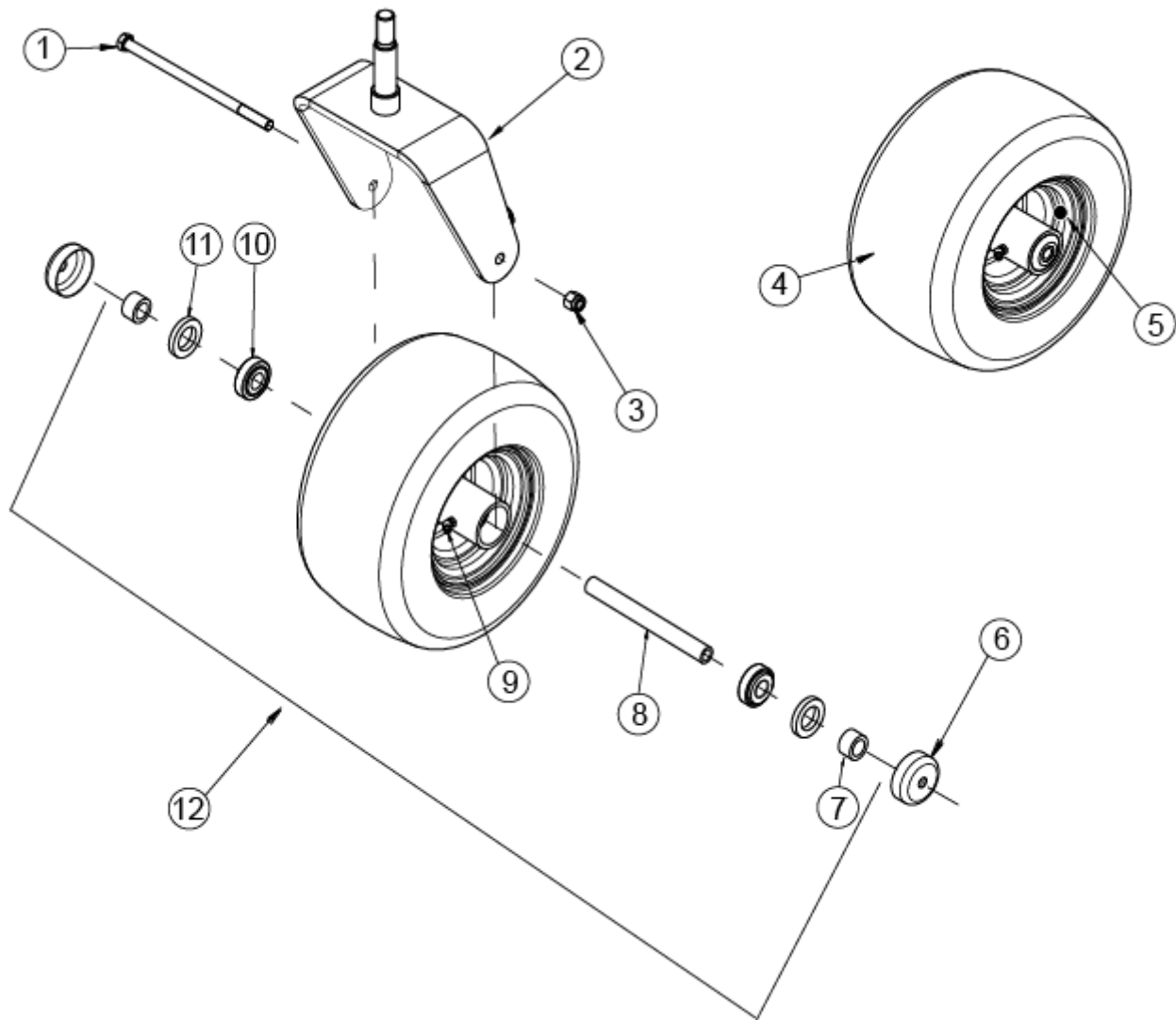
<b>48" CASTER ASSEMBLY .....</b>	<b>5</b>
<b>52" CASTER ASSEMBLY .....</b>	<b>6</b>
<b>FRAME ASSEMBLY.....</b>	<b>7</b>
<b>MOTION CONTROL ASSEMBLY.....</b>	<b>10</b>
<b>SEAT ASSEMBLY.....</b>	<b>12</b>
<b>48" REAR TIRE ASSEMBLY .....</b>	<b>13</b>
<b>52" REAR TIRE ASSEMBLY .....</b>	<b>14</b>
<b>DECK LIFT ASSEMBLY.....</b>	<b>15</b>
<b>48" DECK ASSEMBLY.....</b>	<b>17</b>
<b>52" DECK ASSEMBLY.....</b>	<b>19</b>
<b>SPINDLE HOUSING ASSEMBLY .....</b>	<b>21</b>
<b>DECK IDLER ASSEMBLY.....</b>	<b>22</b>
<b>DECK IDLER .....</b>	<b>24</b>
<b>BRAKE CONTROL GROUP.....</b>	<b>25</b>
<b>ENGINE ASSEMBLY FR691 .....</b>	<b>27</b>
<b>FUEL ASSEMBLY.....</b>	<b>29</b>
<b>3200 HYDRO ASSEMBLY.....</b>	<b>31</b>
<b>ROPS ASSEMBLY .....</b>	<b>33</b>
<b>HARNES/BATTERY GROUP .....</b>	<b>34</b>
<b>WIRING HARNES .....</b>	<b>36</b>
<b>DECAL ASSEMBLY .....</b>	<b>37</b>

## 48" CASTER ASSEMBLY



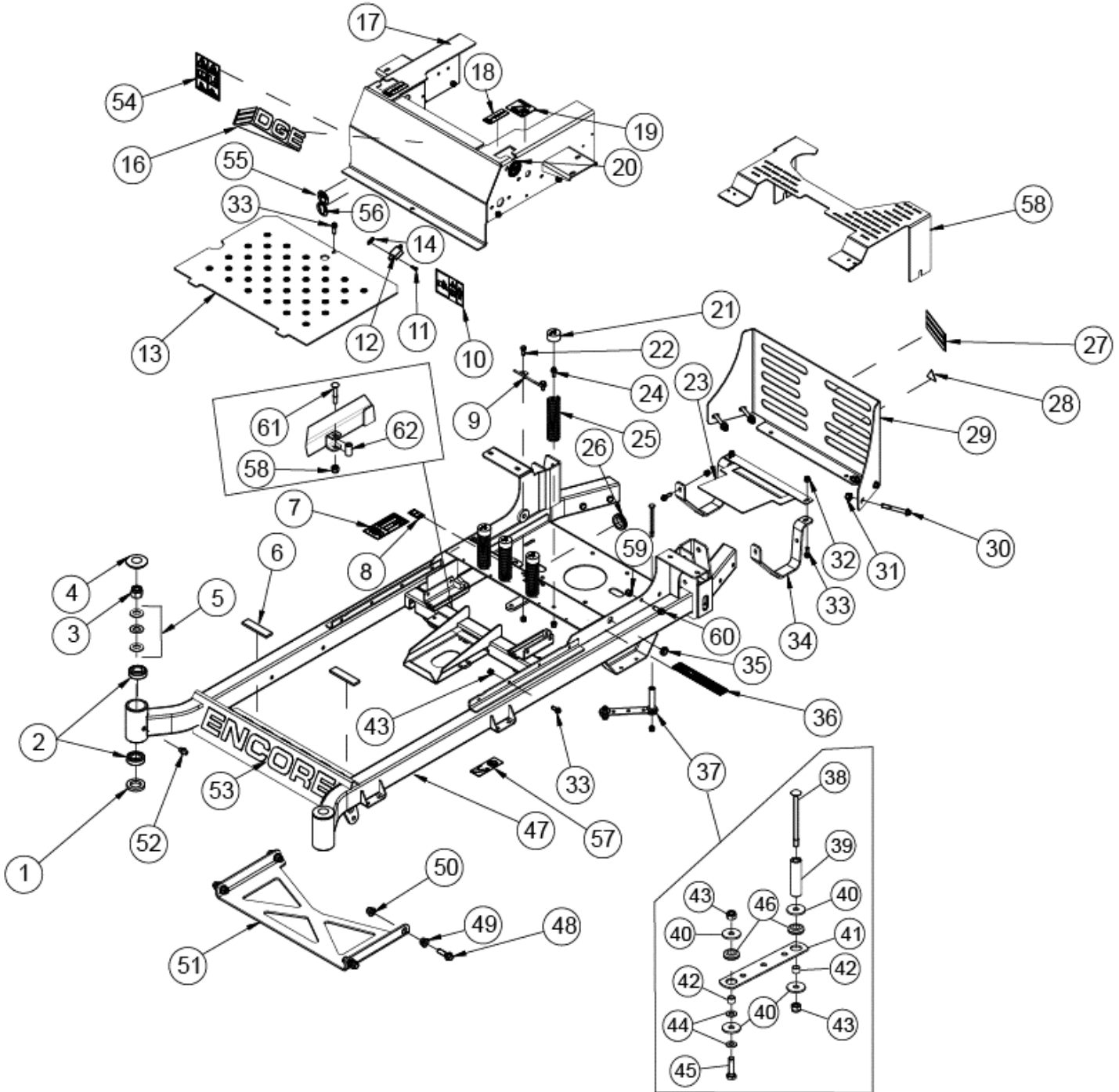
ITEM	PART NO.	DESCRIPTION
1	5202001	ASM, WHEEL COMPLETE 13 X 5.0-6 PNEUMATIC
2	453389	DECAL, FRONT TIRE PRESSURE
3	5202035	BUSHING .78
	633295	BUSHING .53
4	5202038	BUSHING
5	B1153-8	GREASE FITTING M8X1X45
6	5202026	CAP, DUST
7	5202029	SCREW, HH CAP M12 X 185
8	5202150	CASTER WHEEL YOKE
9	B6183-12	NUT, NYLOC FLANGE M12
10	5202037	BEARING, TAPERED ROLLER
11	5202036	SEAL. LIP
12	5202039	TIRE, 13 X 5.0-6 PNEUMATIC

## 52" CASTER ASSEMBLY



ITEM	PART NO.	DESCRIPTION
1	543189	BOLT, M12 X 225 MM
2	542011-2	WLD, CASTER FORK 6.5, RED
3	B6182-12	NUT, NYLOC M12
4	542007	TIRE, 13 X 6.5-6 PNEUMATIC
5	453389	DECAL, FRONT TIRE PRESSURE
6	5202026	CAP, DUST
7	5202035	BUSHING .78
	633295	BUSHING .53
8	543230	TUBE, AXLE
9	111009	ZERK, 45° 1/4-28
10	5202037	BEARING, TAPERED ROLLER
11	5202036	SEAL, LIP
12	542070	ASM, WHEEL COMPLETE 13 X 6.5-6 PNEUM-WHITE

**FRAME ASSEMBLY**



**FRAME ASSEMBLY**

ITEM	PART NO.	DESCRIPTION
1	B13871-B32528	SEAL (F) 32 X 52 X 8
2	B297-30205	BEARING 30205
3	B6182-20	NUT, NYLOC M20
4	5202009	DUST CAP
5	B1972-A40	WASHER, SPRING DISC A40
6	363201	FUEL TANK PAD
7	633349	DECAL, CE, CE MARK & SOUND LEVEL
8	543433	DECAL, FUEL VALVE
9	633120	RAMP, SEAT LATCH
10	633345	DECAL, CE, SAFETY WARNING 5
11	B823-516	SCREW M5 X 16
12	523034	BRAKE SWITCH
13	633011-1	PLATE, FOOT, BLK
14	5208103	NUT RACK
15	633250	DECAL, EDGE
16	632055	ASM, SEAT CONSOLE W/DECALS
17	8324	DECAL, MOTION CONTROL
18	543391	DECAL, PARK BRAKE
19	543380	DECAL, BEATRICE
20	5203045	COVER
21	B5783-820	SCREW, HH TAP M8 X 20
22	633235-1	SHIELD, MUFFLER HEAT
23	B5787-820	SCREW, HH FLANGE M8 X 20
24	5002022	SPRING
25	453382	GROMMET, RUBBER 1-5/16" I.D.
26	363265	SMALL ENCORE LOGO
27	633346	DECAL, CE, SAFETY WARNING 6
28	632057	ASM, REAR GUARD W/DECAL
29	B5787-1080	SCREW, FLANGE HEAD M10 X 80
30	B6183-10	NUT, NYLOC FLANGE M10
31	B6183-8	NUT, FLANGED NYLOC M8
32	B5787-825	SCREW, HH FLANGE M8 X 25
33	633234-1	STRAP, MUFFLER GUARD
34	5002030	RUBBER BUSHING
35	543396	DECAL, HYDRO RESERVOIR
36	632036	ASM, CLUTCH STOP
37	B801-8110	BOLT, CARRIAGE SN M8 X 110
38	633118	SPACER, TUBE
39	5203408	WASHER
40	5203411	CLUTCH STOP STRAP
41	5203409	SPACER / BUSHING

---



---

**FRAME ASSEMBLY**

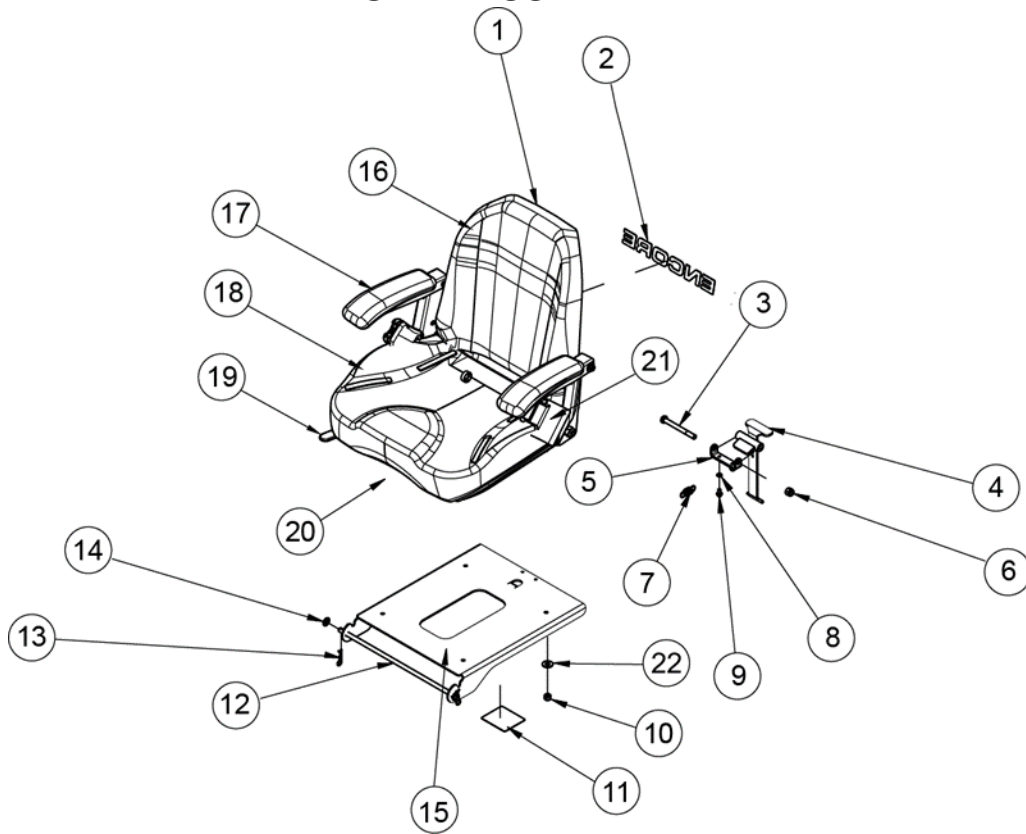
<b>ITEM</b>	<b>PART NO.</b>	<b>DESCRIPTION</b>
42	B6182-8	NUT, NYLOC M8
43	B97.1-8	WASHER 8
44	B5783-835	BOLT, M8 X 35
45	5203410	RUBBER RING 17
46	632024	ASM, BASIC PS FRAME
47	B5787-1240	SCREW, HH FLANGED M12 X 40
48	453288	BUSHING
49	B6183-12	NUT, NYLOC FLANGE M12
50	633010-2	FRONT STRUT PLATE – RED
51	B1152-6	GREASE FITTING M6
52	543471	DECAL, ENCORE 21”
53	633342	DECAL, CE, SAFETY WARNING 2
54	633347	DECAL, CE, EYE PPE
55	633348	DECAL, CE, SOUND PPE
56	633352	DECAL, CE, PARKING BRAKE
57	632097	ASM, SCREEN FRAME
58	B6182-10	NUT, NYLOC M10
59	B5787-1025	SCREW, HH FLANGE M10 X 25
60	B801-1055	BOLT, CARRIAGE SN M10 X 55
61	393070	DRIVE IDLER BUSHING



**MOTION CONTROL ASSEMBLY**

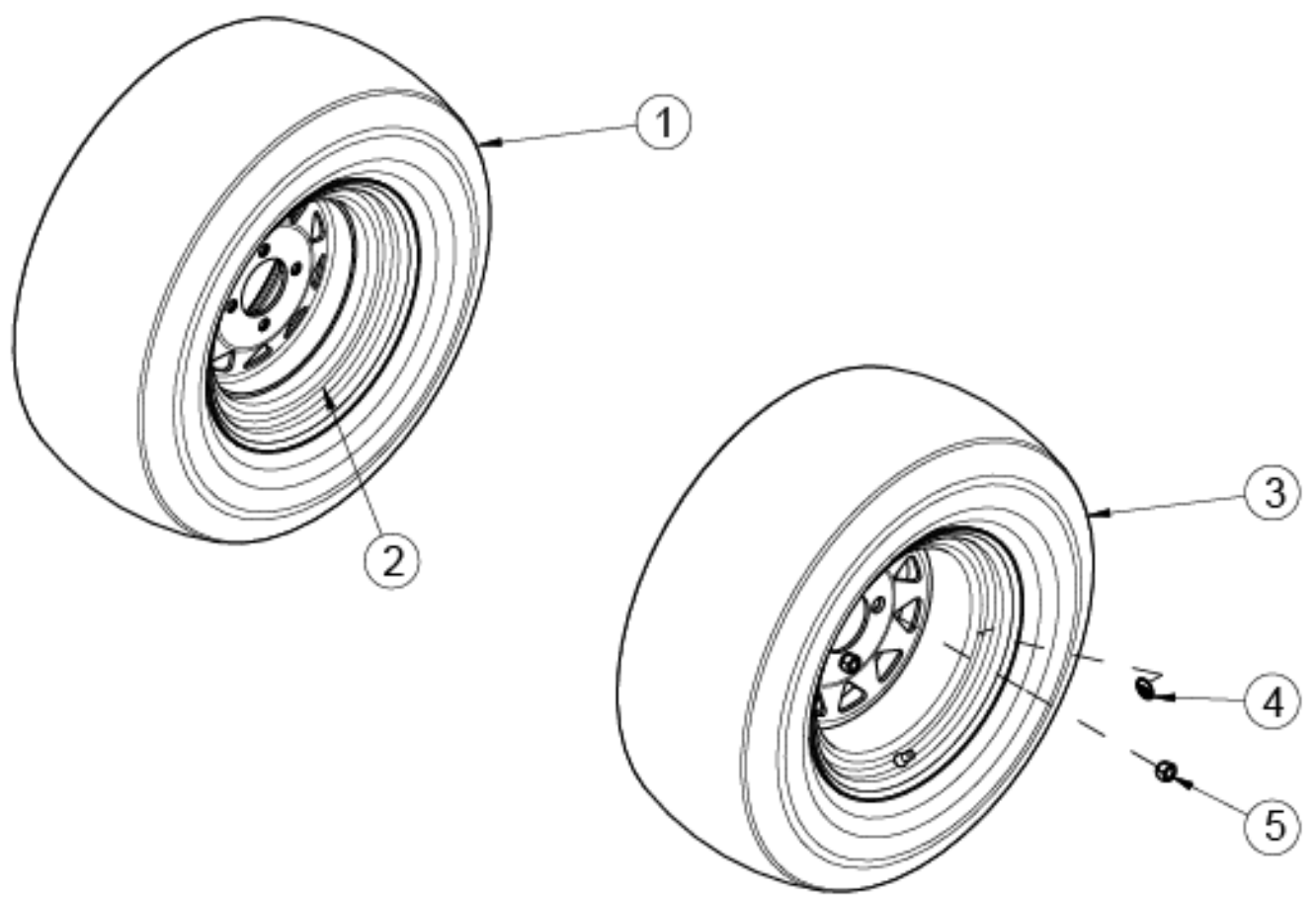
ITEM	PART NO	DESCRIPTION
1	104256	5/16-18 HEX NYLOC NUT
2	632101	ASM, RTN DAMPER
3	632009	ASM, MOTION CONTROL LH
4	632010	ASM, MOTION C ONTROL RH
5	632028	ASM, DRIVE LEVER LH W/GRIP
6	632029	ASM, DRIVE LEVER RH W/GRIP
	543156	GRIP, MOTION CONTROL LEVER
7	632030	ASM, HYDRO LINKAGE
8	633042	SPACER
9	823221	10MM BALL STUD
10	5002111	OPERATING SHAFT
11	B1972-A22.5-2	WASHER, SPRING DISC A22.5 OD
12	B5783-830	SCREW, HH TAP M8x30
13	B5783-840	SCREW, HH TAP M8 X 40
14	B5783-1025	SCREW, HH TAP M10x25
15	B6183-8	NUT, FLANGED NYLOC M8
16	543152	WASHER, PLASTIC
17	B6183-10	NUT, NYLOC FLANGE M10
18	633025	MOTION CONTROL ARM
19	353048	SEAT SWITCH
20	543154	BUSHING, MOTION CONTROL
21	632011	WLD, MOTION CONTROL, LH
22	B5782-1050	BOLT 10X50
23	5205017	ROD END, SPHERICAL M8 LH SILBJK8S
24	5205003	SPRING, COMPRESSION
25	B6171-8L	NUT M8X1 (LH)
26	633088	ROD
27	B6171-8	NUT M8
28	5205016	ROD END, SPHERICAL M8 RH SIBJK8S
29	373054	SPRING - IDLER (COIL)
30	423071	7/8 CLAMP COLLAR
31	523112	5/16" CLAMP COLLAR
32	583415	DAMPENER/CONTROL
33	633265	WASHER, RETURN SPRING

## SEAT ASSEMBLY



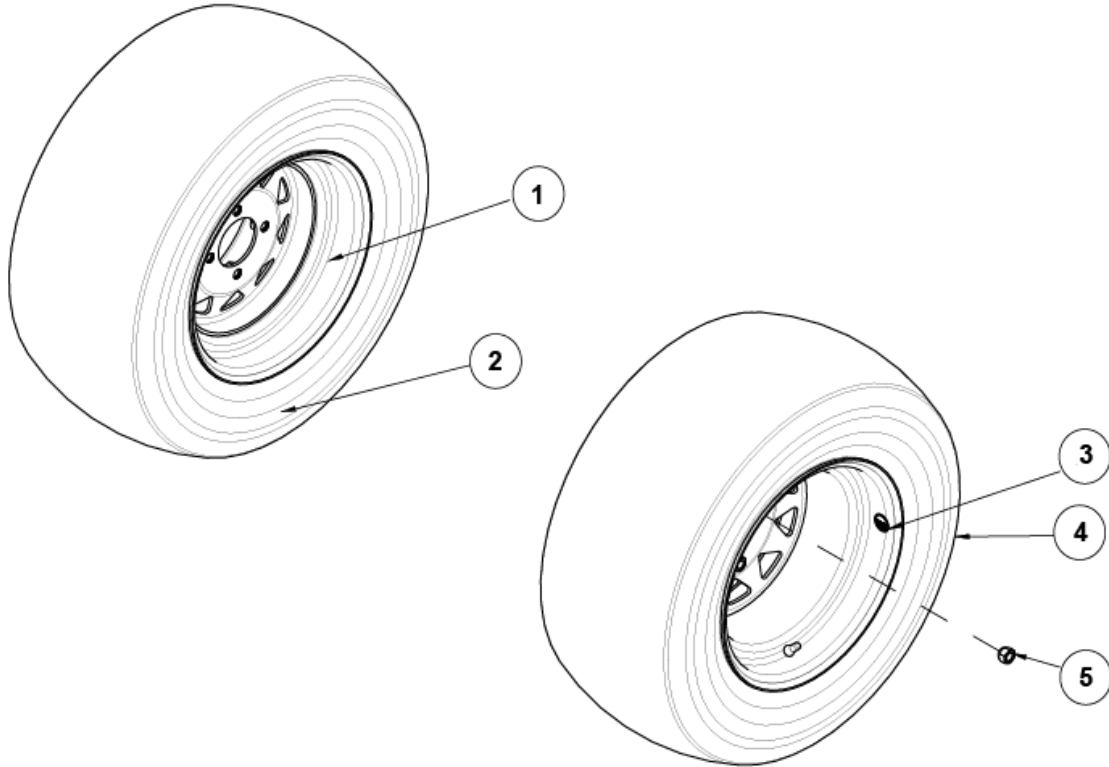
ITEM	PART NO.	DESCRIPTION
1	543373	SEAT
2	543470	DECAL, ENCORE 12"
3	B5782-10100	BOLT M10X100
4	632018	WLD, SEAT LATCH
5	633050	STRAP, BRAKE LEVER
6	B6182-10	NUT, NYLOC M10
7	S262008	RETURN SPRING
8	B97.1-6	WASHER 6
9	B5787-612	SCREW, FLANGED HH M6 X 12
10	104256	5/16-18 HEX NYLOC NUT
11	543397	DECAL, BATTERY WARNING
12	633111	ROD, SEAT
13	363165	HAIRPIN COTTER
14	B97.1-10	WASHER, FLAT M10
15	632056	ASM, SEAT PAN W/DECAL
16	543440	BACK, SEAT
17	593097	ARM REST PAD – MOLDED
18	543439	CUSHION, SEAT
19	543438	KIT, SEAT TRACK 4"
20	353048	SEAT SWITCH
21	543004	KIT, SEAT BELT RETRACTABLE
22	105258	5/16 STD FLAT WASHER

**48" REAR TIRE ASSEMBLY**



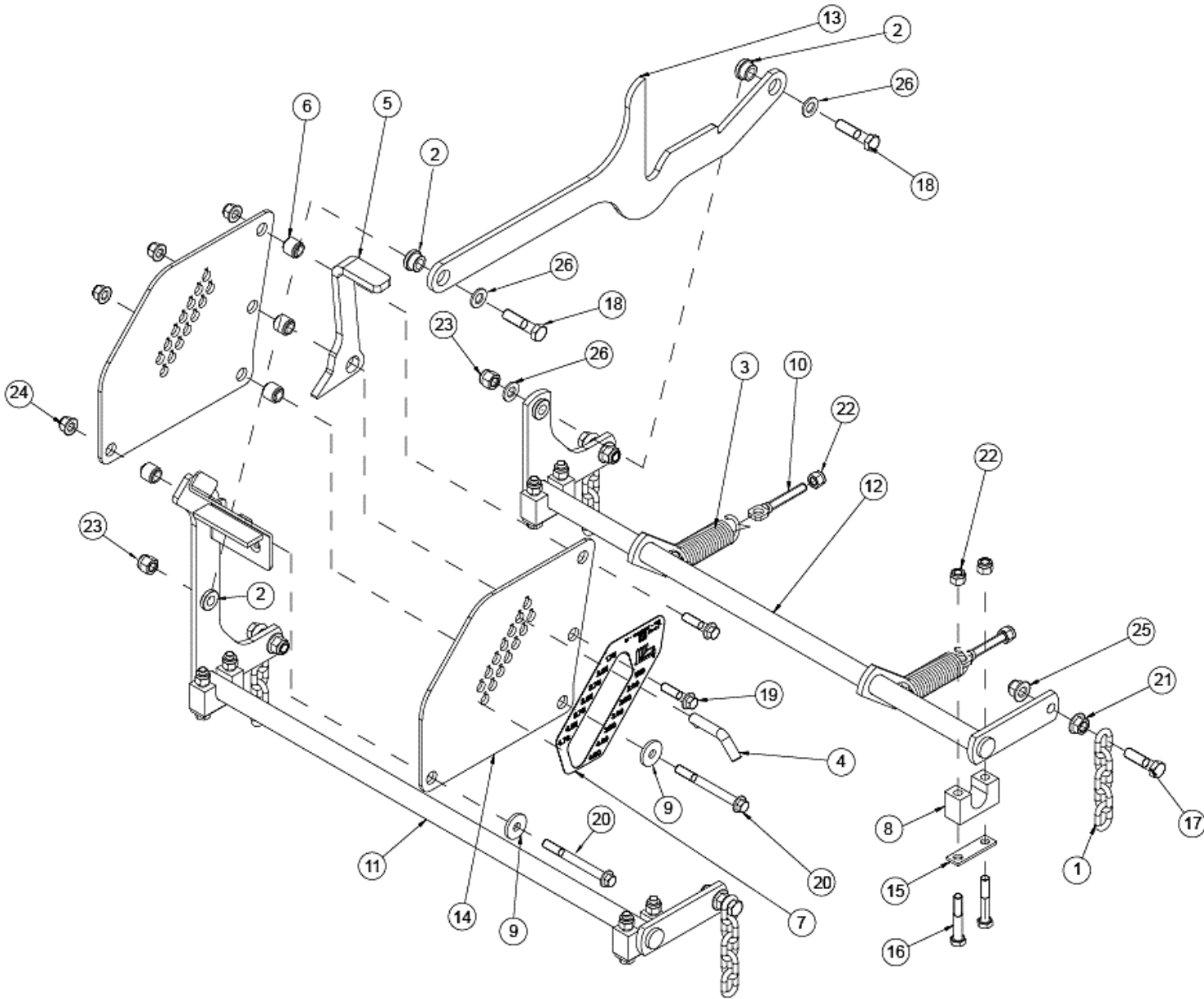
ITEM	PART NO.	DESCRIPTION
1	543289	ASM, WHEEL 23 X 9.5-12
2	542078	RIM, 12 X 7
3	542073	TIRE, 23 X 9.5-12
4	453390	DECAL, REAR TIRE PRESSURE
5	103023	1/2-20 X 60 T LUG NUT

## 52" REAR TIRE ASSEMBLY



ITEM	PART NO.	DESCRIPTION
1	5200012	RIM, DRIVE WHEEL
2	5200011	CARLISLE TURF MATE 23X10.5-12
3	453390	DECAL, REAR TIRE PRESSURE
4	5200001	ASM, DRIVE WHEEL ZTR
5	103023	1/2-20 X 60 T LUG NUT

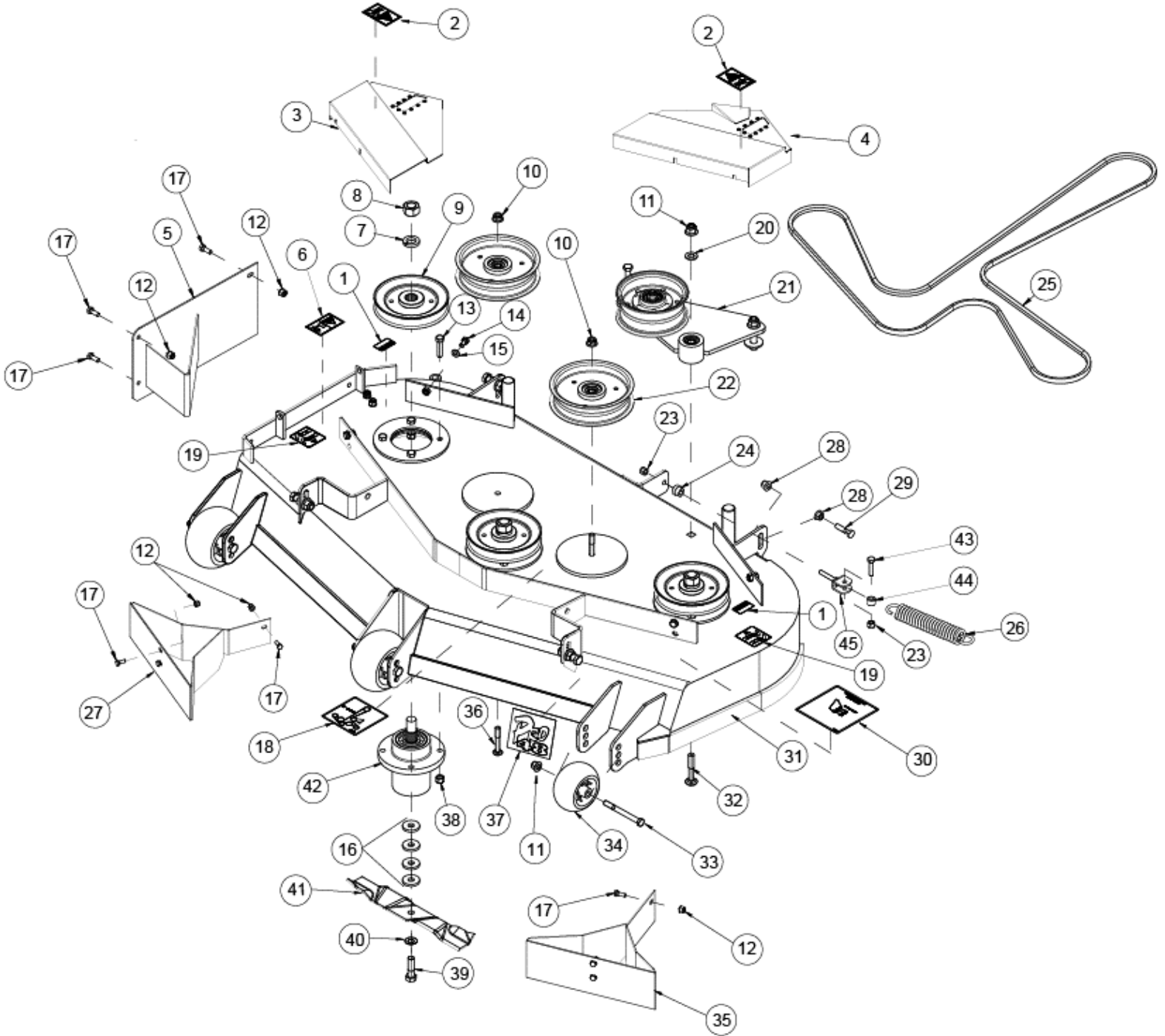
**DECK LIFT ASSEMBLY**



**DECK LIFT ASSEMBLY**

ITEM	PART NO	DESCRIPTION
1	423359	FRONT CHAIN (5 LINKS)
2	453288	BUSHING
3	523327	FLOATING IDLER SPRING
4	543207	PIN, HOC
5	633031	LATCH, TRANSPORT
6	633032	SPACER, HOC
7	633351	DECAL, CE, DECK HEIGHT
8	633119	BLOCK, 25MM PIVOT
9	5201083	SPACER
10	2802083B	CONNECTING ROD
11	632004-1	WLD, FT CROSS SHAFT – BLK
12	632005-1	WLD, REAR CROSS SHAFT – BLK
13	633027-1	DECK LIFT LINK – BLACK
14	633028-1	PLATE, HOC – BLACK
15	633220-1	PLATE, 25MM PIVOT BLOCK
16	B5782-1060	BOLT 10X60
17	B5782-1245	SCREW, HH M12 X 45
18	B5782-1250	SCREW, HH CAP M12 X 50
19	B5787-1040	SCREW, HH FLANGE M10X40
20	B5787-10100	SCREW, HH FLANGED M10 X 100
21	B6177-12	NUT, FLANGED M12
22	B6182-10	NUT, NYLOC M10
23	B6182-12	NUT, NYLOC M12
24	B6183-10	NUT, NYLOC FLANGE M10
25	B6183-12	NUT, NYLOC FLANGE M12
26	B97.1-12	WASHER 12

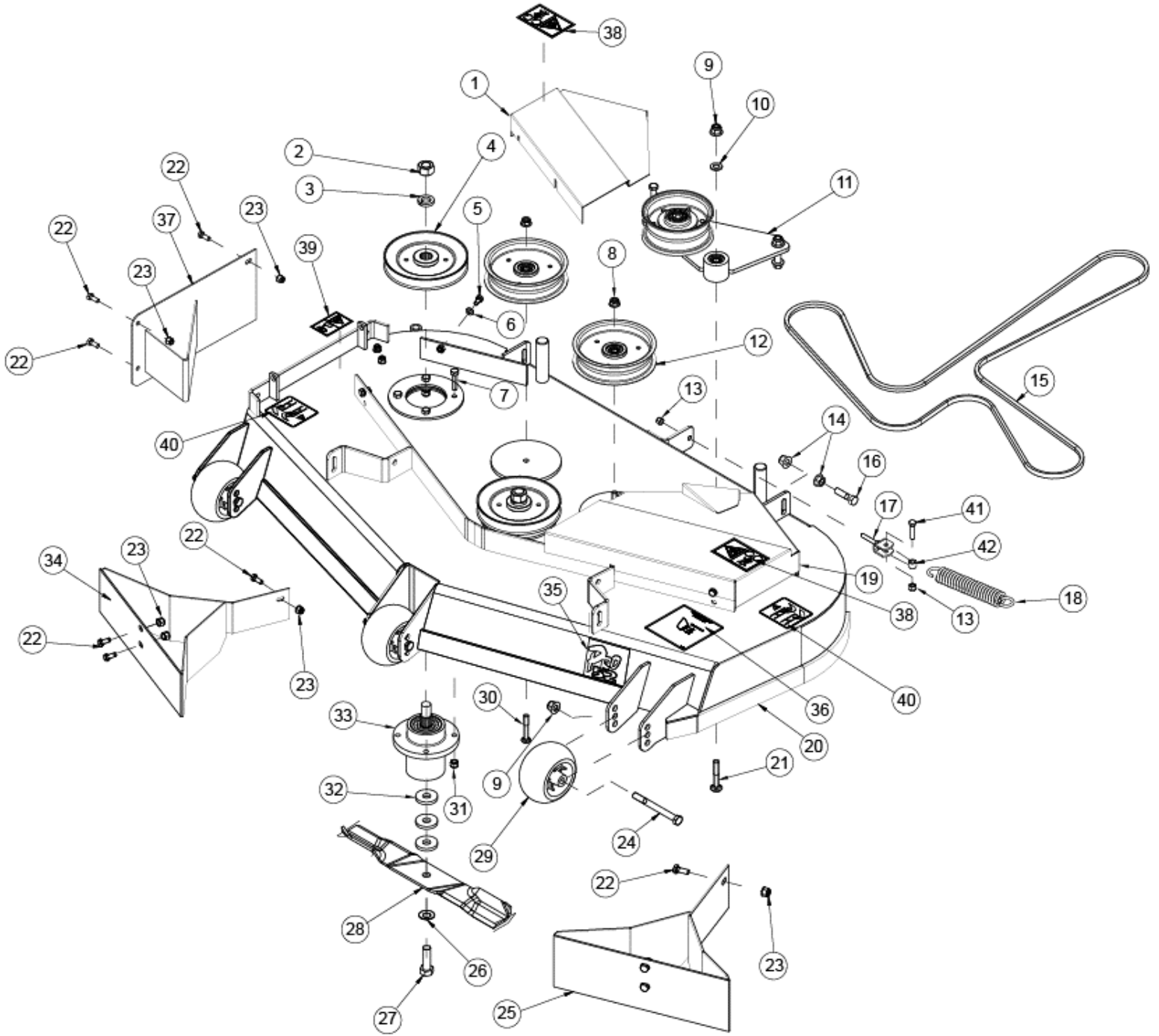
**48" DECK ASSEMBLY**



## 48" DECK ASSEMBLY

ITEM	PART NO.	DESCRIPTION
1	8303	DECAL, CAUTION, GUARDING SM
2	633344	DECAL, CE, SAFETY WARNING 4
3	632110	SHIELD, RH 48 EG CE BELT W/DECALS
4	632109	SHIELD, LH 48 EG CE BELT W/DECALS
5	542083-2	WLD, BLOCK PLATE 48 - RED
6	633343	DECAL, CE, SAFETY WARNING 3
7	105010	3/4" LOCKWASHER
8	104511	3/4-16 UNF REG HEX NUT
9	632061	PULLEY, 48" DECK
10	B6187-10	FLANGED TOPLOCK M10
11	B6183-12	NUT, NYLOC FLANGE M12
12	B6183-8	NUT, NYLOC FLANGE M8
13	100294	3/8-16 X 1-1/2 HHCS
14	B5783-816	SCREW, HH TAP M8 X 16
15	B97.1-8	WASHER 8
16	363382	BLADE SPACER
17	B5783-820	SCREW, HH TAP M8x20
18	633228	DECAL, BELT ROUTING
19	633341	DECAL, CE, SAFETY WARNING
20	B97.1-12	WASHER 12
21	632034	ASM, DECK IDLER – DETAIL ON PG 22
22	542147	ASM, 150MM FLAT IDLER W/SPACER–DETAIL ON PG 24
23	B6182-8	NUT, NYLOC M8
24	2803010	BUSHING / SPACER
25	633147	BELT, 48 DECK
26	633382	SPRING, DECK TENSION
27	542082-2	WLD, MULCH 48 RH - RED
28	B6177-12	NUT, FLANGED M12
29	B5782-1245	SCREW, HH M12 X 45
30	543392	DECAL, ANTI-SCALP ROLLER
31	632121	ASM, 48 CE EDGE DECK W/DECALS
32	B801-1265	BOLT, CARRIAGE M12 X 65
33	B5782-12120	SCREW, HH M12 X 120
34	543225	ROLLER, ANTI SCALP
35	542068-2	WLD, MULCH 48 LH - RED
36	B801-1060	BOLT, CARRIAGE M10 X 60
37	483075	PRO-48 DECAL
38	104257	3/8-16 HEX NYLOC NUT
39	100358	5/8-11 X 2-1/4 HHCS
40	583108	5/8 SPRING DISC WASHER
41	483049	16.25 MULCHER (WAVY)
42	583106	BLADE SPINDLE ASSY – DETAIL ON PG 21
43	B5783-835	SCREW, HH TAP M8X35
44	633301	BUSHING
45	632124	ASM, YOKE

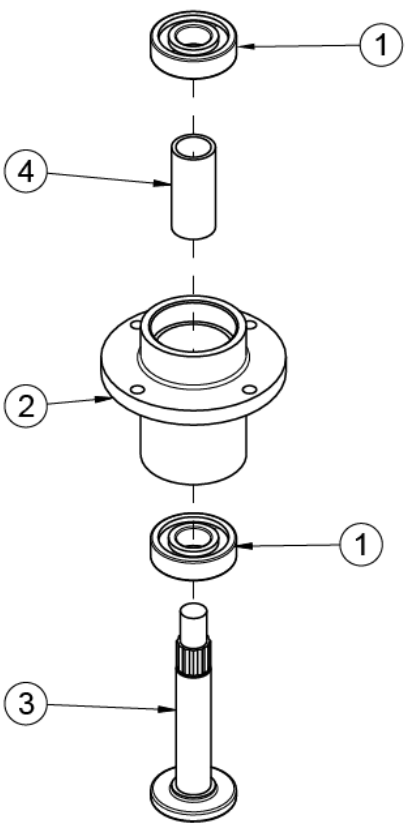
**52" DECK ASSEMBLY**



## 52" DECK ASSEMBLY

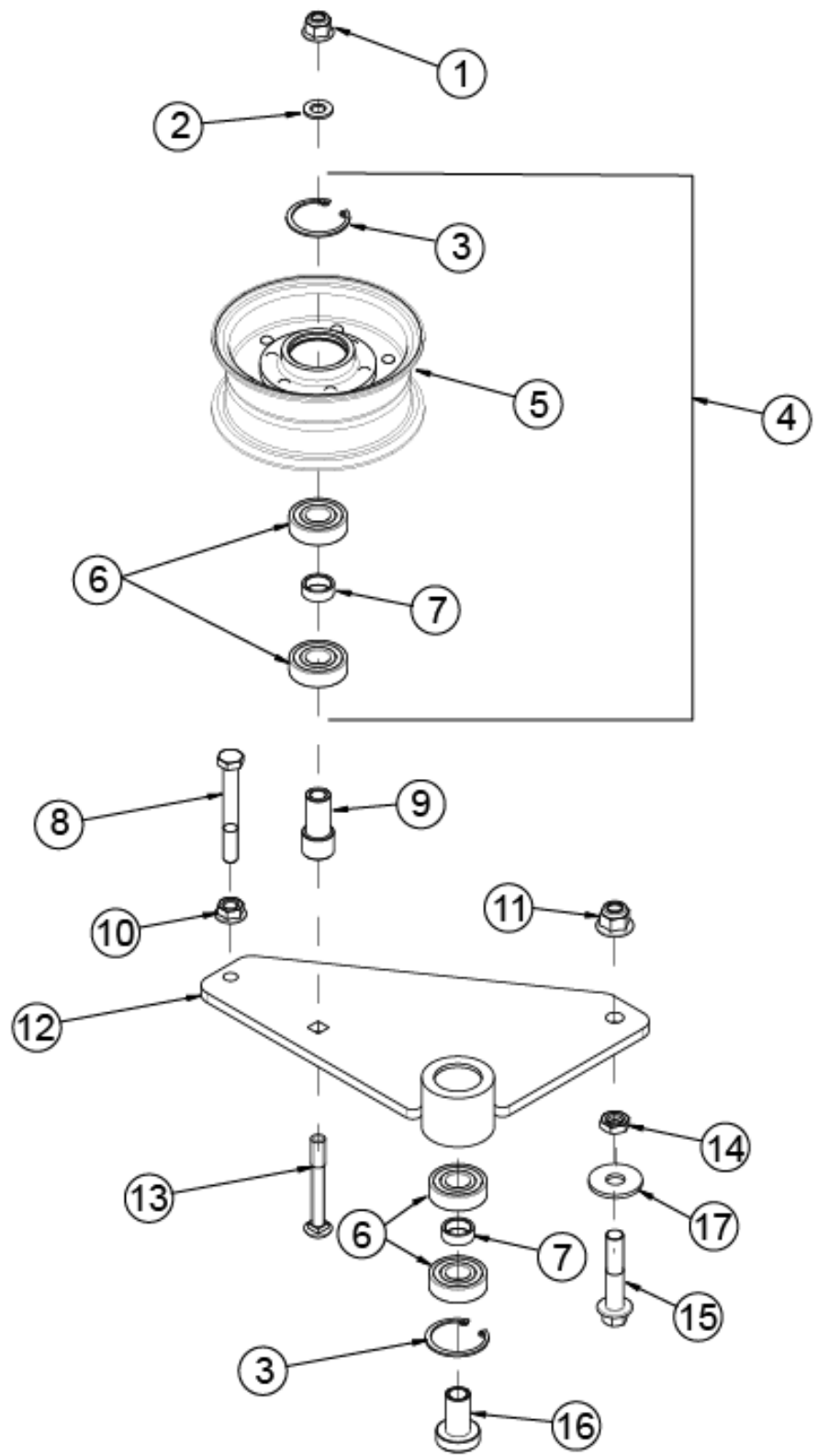
ITEM	PART NO.	DESCRIPTION
1	632108	SHIELD, RH 52 EG CE BELT W/DECALS
2	104511	3/4-16 UNF REG HEX NUT
3	105010	3/4 LOCKWASHER
4	452073	PULLEY, DECK
5	B5783-816	SCREW, HH TAP M8x16
6	B97.1-8	WASHER 8
7	100294	3/8-16 X 1-1/2 HHCS
8	B6187-10	FLANGED TOPLOCK M10
9	B6183-12	NUT, NYLOC FLANGE M12
10	B97.1-12	WASHER 12
11	632034	ASM, DECK IDLER - DETAIL ON PG 22
12	542147	ASM, 150MM FLAT IDLER W/SPACER- DETAIL ON PG 24
13	B6182-8	NUT, NYLOC M8
14	B6177-12	NUT, FLANGED M12
15	633068	BELT, DECK
16	B5782-1245	SCREW, HH M12 X 45
17	632124	ASM, YOKE
18	5207015	IDLER PULLEY SPRING
19	632107	SHIELD, LH 52 EG CE BELT W/DECALS
20	632120	ASM, 52 CE EDGE DECK W/DECALS
21	B801-1265	BOLT, CARRIAGE M12 X 65
22	B5783-820	SCREW, HH TAP M8x20
23	B6183-8	NUT, FLANGED NYLOC M8
24	B5782-12120	SCREW, HH M12 X 120
25	542084-2	WLD, MULCH 52 LH - RED
26	583108	5/8 SPRING DISC WASHER
27	100347	5/8-11 X 2 HHCS
28	823353	18" MULCHING BLADE
29	543225	ROLLER, ANTI SCALP
30	B801-1060	BOLT, CARRIAGE M10 X 60
31	104257	3/8-16 HEX NYLOC NUT
32	363382	BLADE SPACER
33	583106	BLADE SPINDLE ASSY - DETAIL ON PG 21
34	542085-2	WLD, MULCH 52 RH - RED
35	523493	PRO-52 DECAL
36	543392	DECAL, ANTI-SCALP ROLLER
37	542086-2	WLD, BLOCK PLATE 52 - RED
38	633344	DECAL, CE, SAFETY WARNING 4
39	633343	DECAL, CE, SAFETY WARNING 3
40	633341	DECAL, CE, SAFETY WARNING
41	B5783-835	SCREW, HH TAP M8X35
42	633301	BUSHING

**SPINDLE HOUSING ASSEMBLY**



ITEM	PART NO.	DESCRIPTION
1	363350	BEARING - BLADE SPINDLE
2	583111	SPINDLE HOUSING
3	583112	SPINDLE SHAFT
4	583113	BEARING SPACER TUBE

### DECK IDLER ASSEMBLY



---

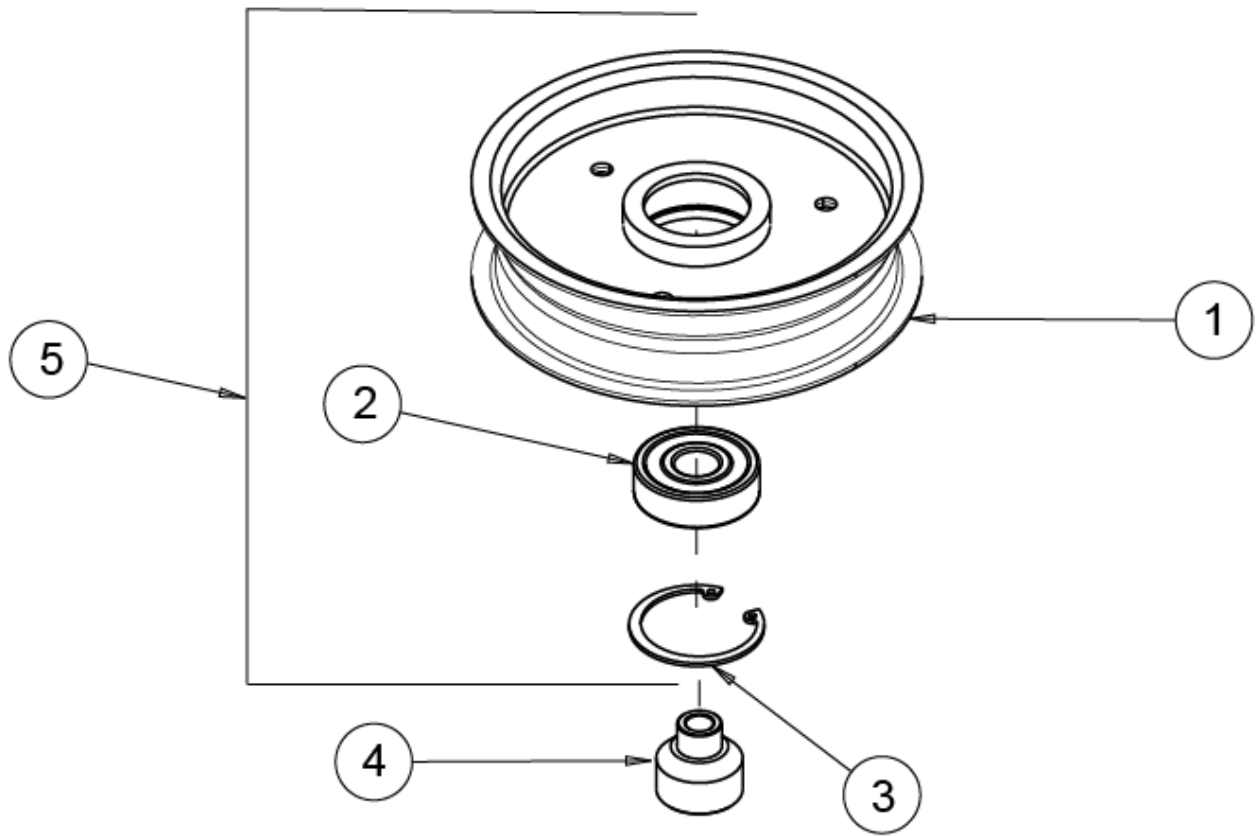


---

**DECK IDLER ASSEMBLY**

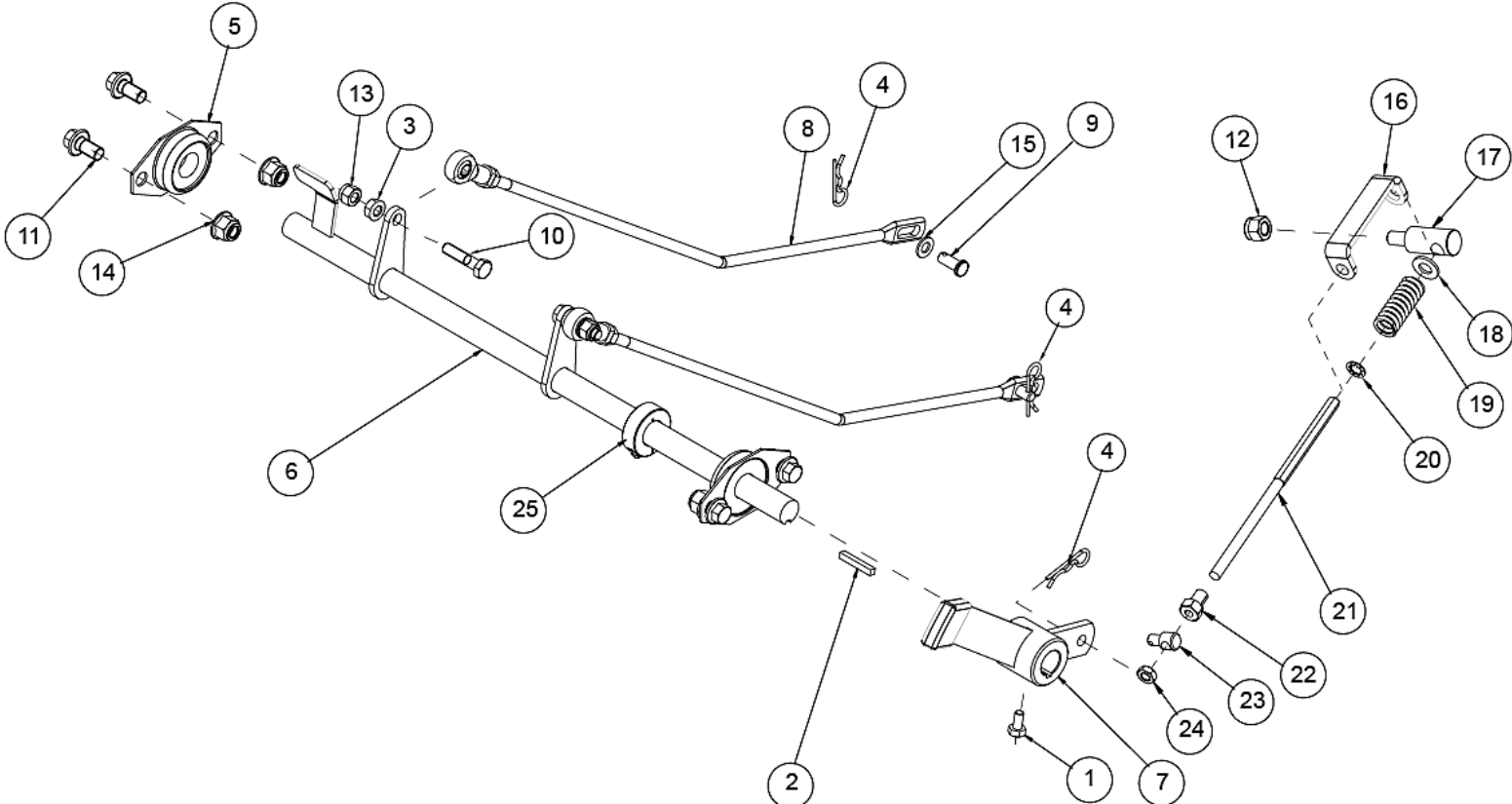
ITEM	PART NO.	DESCRIPTION
1	B6183-10	NUT, NYLOC FLANGE M10
2	B97.1-10	WASHER, FLAT M10
3	B893.1-40	SNAP RING 40
4	462072	ASM, IDLER PULLEY
5	5201064	IDLER PULLEY
6	B276-6203RS	BEARING 6203-2RS
7	5201077	BUSHING
8	B5782-1080	BOLT M10 X 80
9	463220	SPACER, IDLER PULLEY
10	B6177-10	NUT, FLANGED M10
11	B6183-12	NUT, NYLOC FLANGE M12
12	632033	DECK IDLER ARM
13	B801-1075	BOLT, CARRIAGE M10 X 75
14	B6172.1-12	NUT, JAM M12
15	B5787-1260	SCREW, HH FLANGE M12 X 60
16	633015	STEPPED SPACER
17	B96-12	WASHER, FLAT LARGE M12

## DECK IDLER



ITEM	PART NO.	DESCRIPTION
1	542137	IDLER, FLAT 150MM
2	B276-6303RS	BEARING 6303-2RS
3	B893.1-47	SNAP RING 47
4	543450	STAND-OFF, LG IDLER
5	542138	IDLER, FLAT 150MM, W/BEARING

**BRAKE CONTROL GROUP**



---

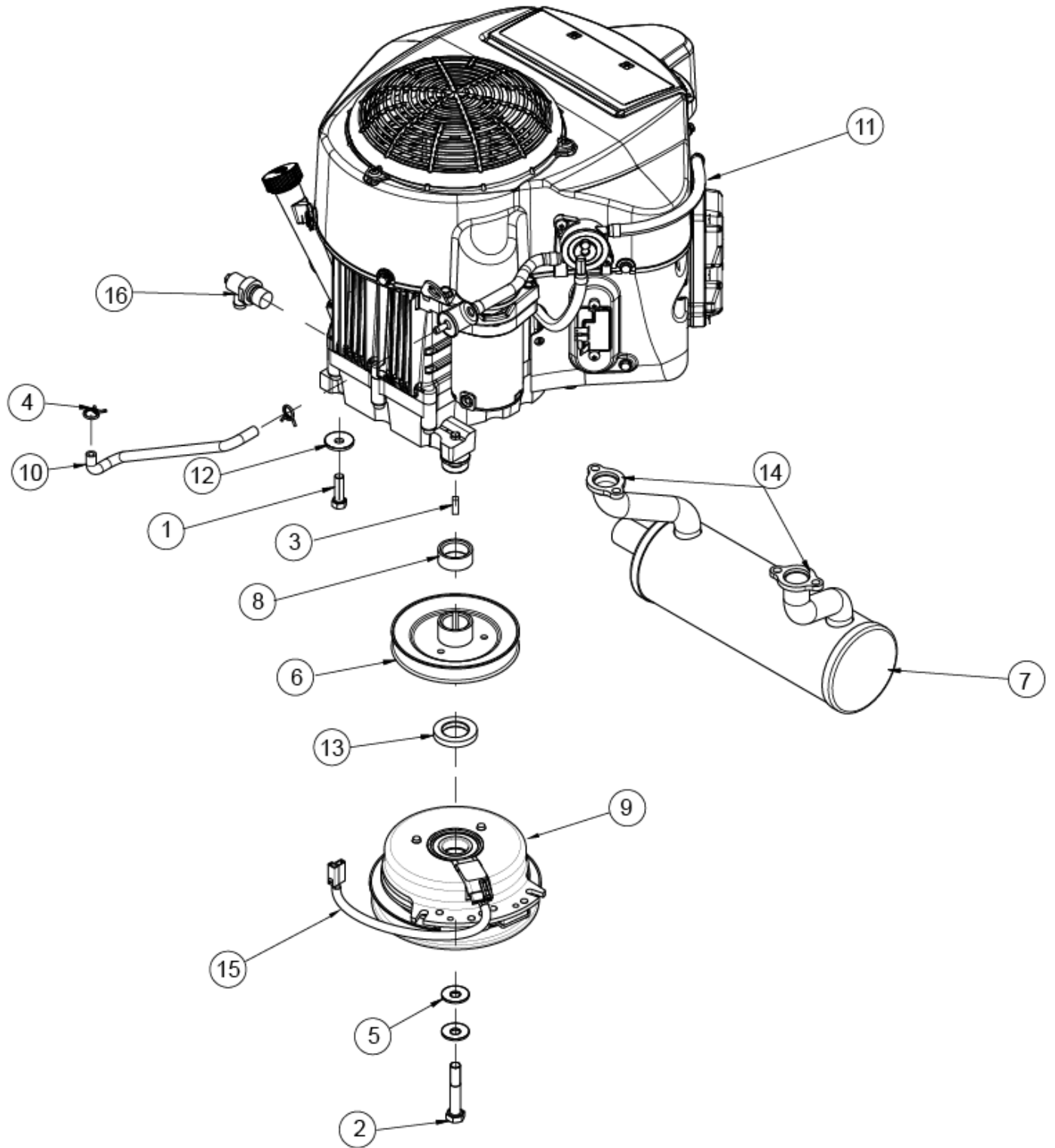


---

**BRAKE CONTROL GROUP**

ITEM	PART NO	DESCRIPTION
1	100501	1/4-28 X 1/2 HHCS
2	107264	3/16 X 3/16 X 1-1/4 MACH KEY
3	B6177-8	NUT, WHIZLOCK M8
4	XSZ56-1-17	HAIR PIN
5	423140	3/4 I.D. 2 BOLT BEARING
6	632013	WLD, BRAKE SHAFT
7	632015	ASM, BRAKE LEVER
8	632019	ASM, BRAKE LINK
9	B882B-820	PIN, 8 X 20 CLEVIS
10	B5782-835	BOLT M8X35
11	B5787-1020	SCREW, HH FLANGED M10 X 20
12	B6182-10	NUT, NYLOC M10
13	B6182-8	NUT, NYLOC M8
14	B6183-10	NUT, NYLOC FLANGE M10
15	B97.1-8	WASHER 8
16	593114	PARK BRAKE STRAP - PLATED
17	633116	SWIVEL, PARK BRAKE
18	105259	3/8 SAE FLAT WASHER
19	523024	SPRING, COMPRESSION
20	363117	BELT TENSION SPRING
21	463089	ROD, SHORT BRAKE
22	593116	BRAKE SPRING NUT – PLATED
23	463231	SWIVEL, PARK BRAKE ROD
24	104751	5/16-18 HEX JAM NUT
25	523138	3/4" CLAMP COLLAR

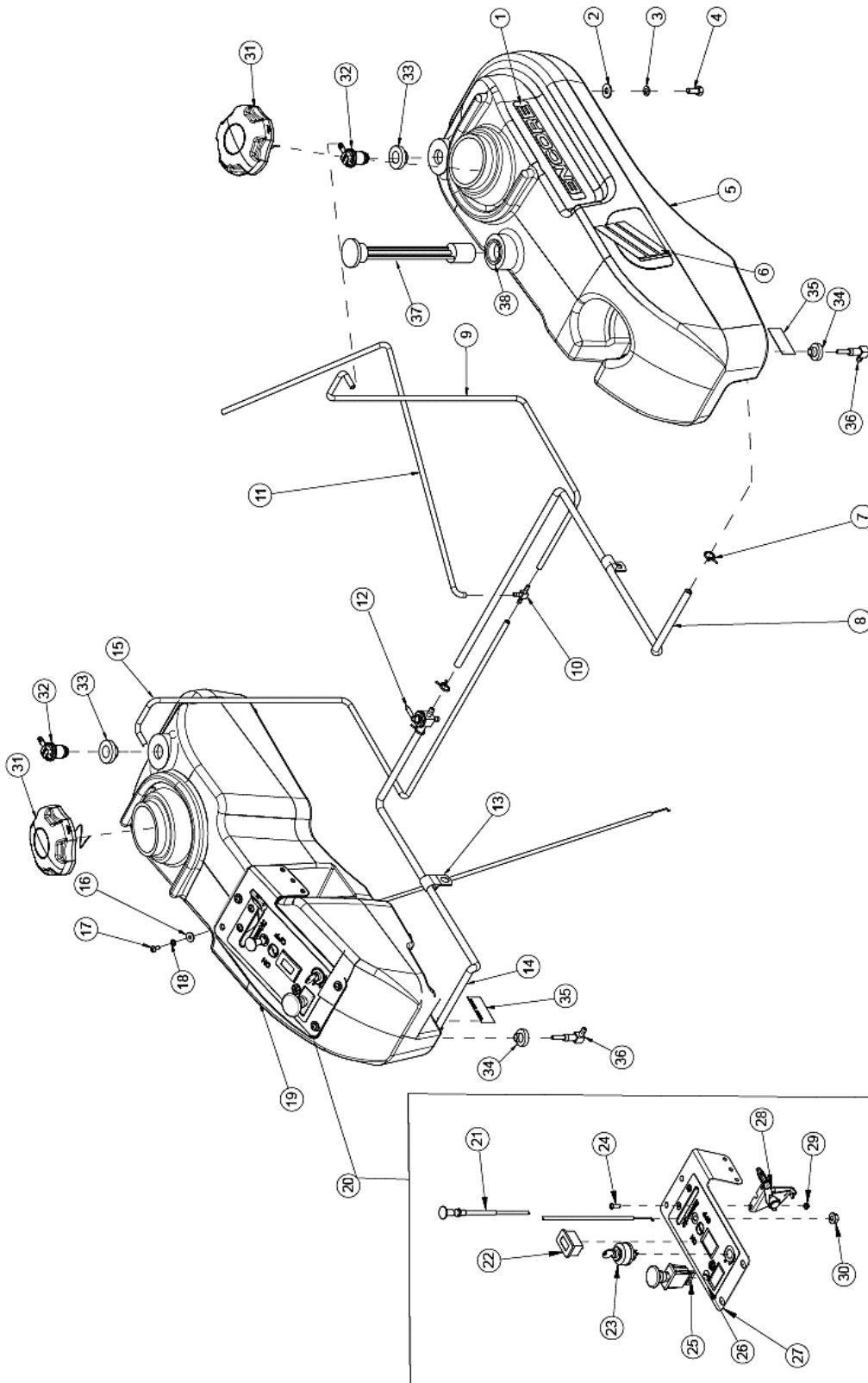
**ENGINE ASSEMBLY FR691**



**ENGINE ASSEMBLY FR691**

<b>ITEM</b>	<b>PART NO.</b>	<b>DESCRIPTION</b>
1	100293	3/8-16 x 1-1/4 HHCS
2	100535	7/16-20 X 2-1/2 HHCS
3	107258	1/4 X 1/4 X 3/4 MACH KEY
4	363098	CLAMP, FUEL LINE 1/4 ID
5	423069	SPRING DISC – 7/16
6	543003	SHEAVE, PUMP DRIVE
7	633033	MUFFLER, KAWASAKI FR691
8	633038	SPACER, ENGINE
9	633073	CLUTCH, 175LB
10	633099	HOSE, FUEL 1/4 X 14”
11	FOR REFERENCE ONLY	ENGINE, KAW FR691 (1-1/8" X 108.8MM)
12	753027	SPRING DISC WASHER
13	823248	CLUTCH SPACER 9/32
14	483098	MUFFLER GASKET
15	603083	CLUTCH ADAPT. HARNESS
16	343146	90° DRAIN – KAW BLK

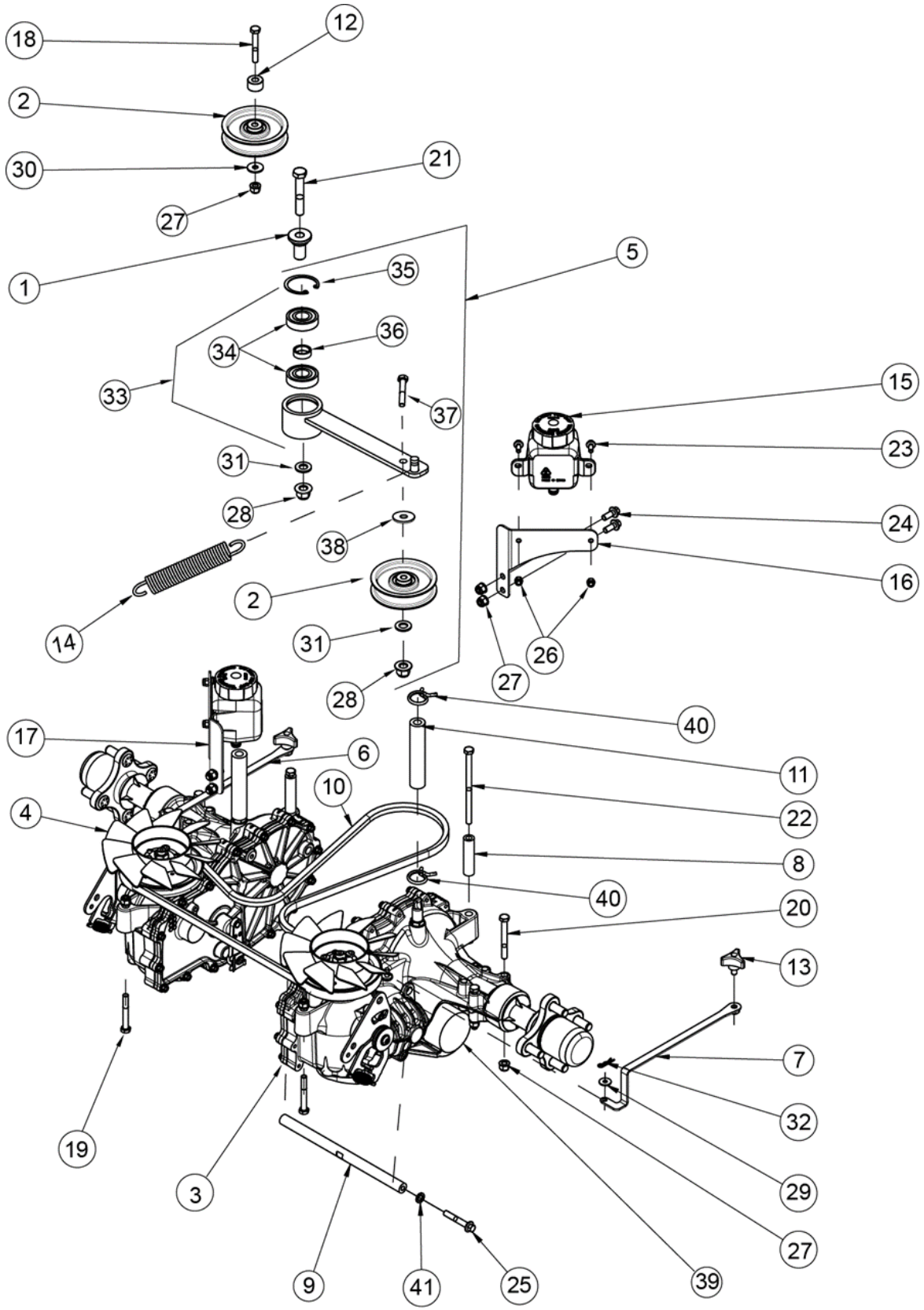
# FUEL ASSEMBLY



**FUEL ASSEMBLY**

ITEM	PART NO.	DESCRIPTION
1	363243	SMALL ENCORE LABEL
2	105258	5/16 STD FLAT WASHER
3	105005	5/16 LOCKWASHER-HEAVY
4	100271	5/16-18 X 3/4 HHCS
5	632038	ASM, BLK FUEL TANK LP - LH
6	363265	SMALL ENCORE LOGO
7	363098	CLAMP, FUEL LINE 1/4 ID
8	633101	HOSE, FUEL 1/4 X 33"
9	633102	HOSE, VENT 3/16 X 29"
10	5204010	TEE, HOSE 3/16 ID
11	353223	HOSE, VENT 3/16 X 22"
12	583050	FUEL VALVE
13	603031	DRAIN CLAMP
14	633100	HOSE, FUEL 1/4 X 26"
15	543362	HOSE, VENT 3/16 ID X 36
16	5204044	BUSHING
17	5204045	SCREW 10-24 UNC X 1/2"
18	B861.1-5	INT TOOTH LOCKWASHER M5
19	632037	ASM, BLK FUEL TANK LP - RH
20	634055	GRP, BASIC CONTROL PANEL, CE
21	633104	CHOKE CABLE
22	453417	METER, MS HOUR
23	423027	IGNITION SWITCH
NOT SHOWN	423413	KEY, COVERED IGNITION
NOT SHOWN	423414	NUT, 5/8-32 NYLON
NOT SHOWN	423415	WASHER, INTERNAL TOOTH, LOCK
NOT SHOWN	423416	BEZEL, 5/8 NUT
24	101039	#10-24 X 5/8 MACH SCREW
25	4807005	SWITCH, PTO
26	633097-1	CONSOLE, TANK PROSUMER, BLK
27	633105	DECAL, CONTROL PANEL
28	633103	THROTTLE CABLE
29	104252	#10-24 HEX NYLOC NUT
30	109008	3/8-24 WHIZLOCK NUT
31	363413	FUEL CAP - EPA/CARB
32	593370	REMOTE VENT
33	363412	VENT VALVE GROMMET
34	533125	VALVE GROMMET - VITON
35	593457	DECAL, EPA TANK DKA
36	583183	FUEL TANK ADAPTER
37	5204046	FUEL GAUGE
38	632051	KIT, FUEL GAGE GROMMET

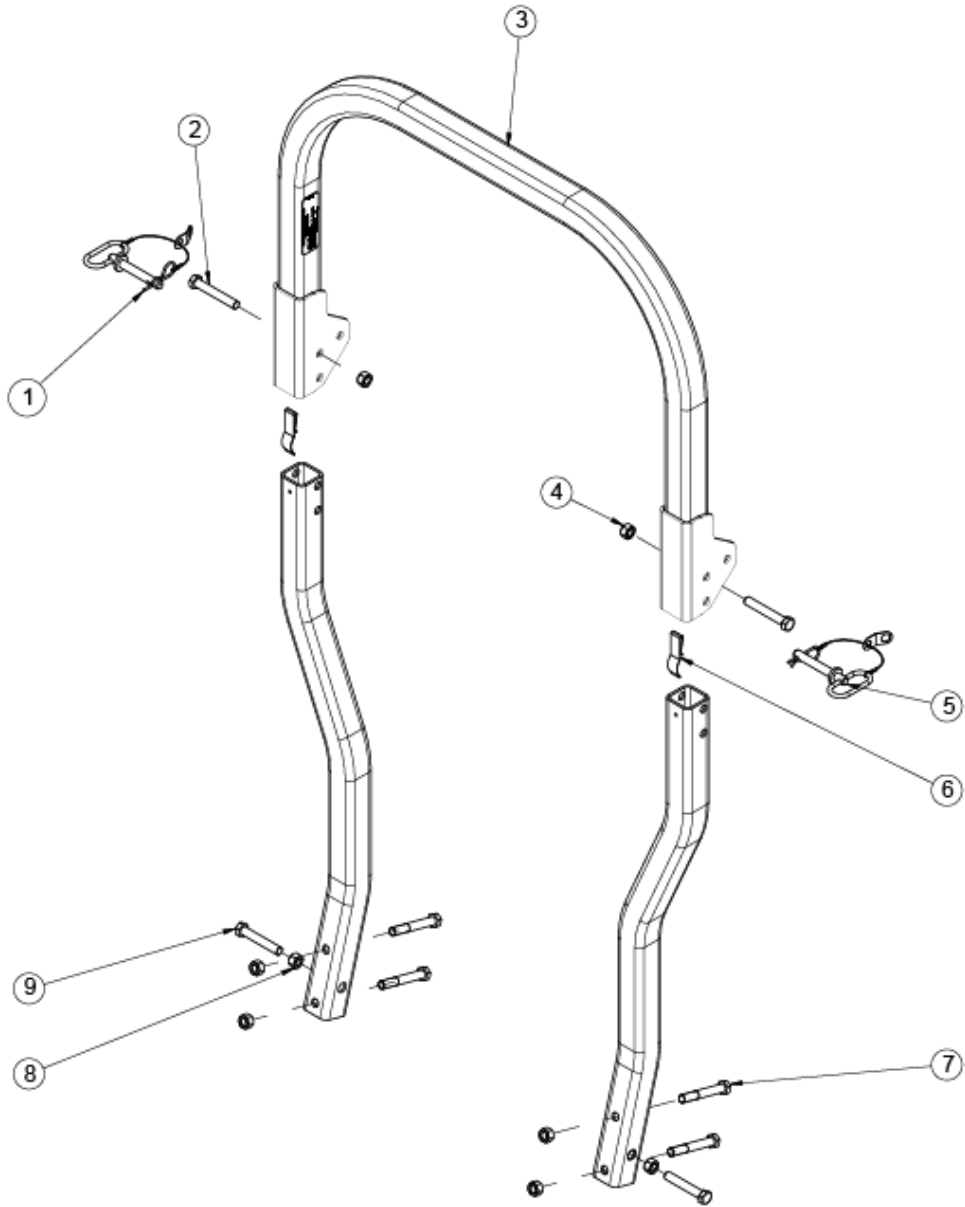
**3200 HYDRO ASSEMBLY**



### 3200 HYDRO ASSEMBLY

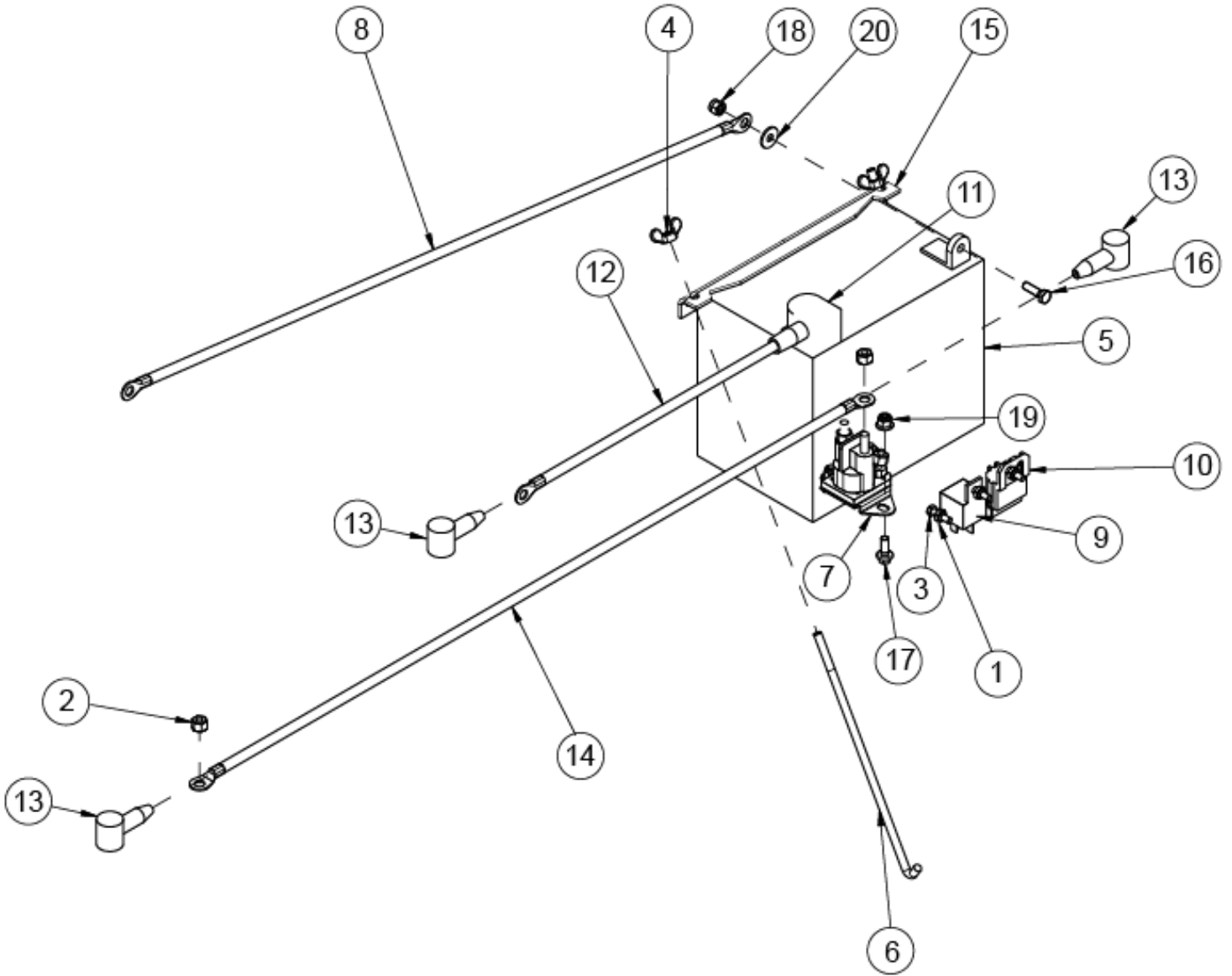
ITEM	PART NO.	DESCRIPTION
1	453313	BUSHING, STEPPED
2	633302	PULLEY, Ø3.37 X .75 IDLER
3	633122	HYDRO, ZT 3200 LH
4	633121	HYDRO, ZT 3200 RH
5	632017	ASM, HYDRO IDLER W/PULLEY
6	632020	WLD, HYDRO RELEASE RH
7	632021	WLD, HYDRO RELEASE LH
8	633030	HYDRO SPACER
9	633249	ROD, 20MM HYDRO SUPPORT
10	633061	BELT, HYDRO
11	633095	HOSE, 8TOC X 4.5
12	633108	SPACER
13	3302190	KNOB, 3-PRONGED W/STUD
14	4806004	IDLER SPRING
15	6012021	TANK, EXPANSION
16	633066-1	BRACKET, HYDRO TANK LH - BLACK
17	633067-1	BRACKET, HYDRO TANK RH - BLACK
18	B5782-855	HEX HD BOLT M8X55
19	B5782-860	HEX HD BOLT M8X60
20	B5782-870	BOLT M8X70
21	B5782-1270	SCREW, HH M12x70
22	B5782-8120	BOLT, M8 X 120
23	B5787-616	SCREW, HH FLANGE M6X16
24	B5787-820	SCREW, HH FLANGE M8X20
25	B5787-1055	BOLT M10 X 55
26	B6182-6	NUT, NYLOC M6
27	B6183-8	NUT, NYLOC M8
28	B6183-12	NUT, NYLOC FLANGE M12
29	B96-6	WASHER, FLAT LARGE M6
30	B96-8	WASHER 8
31	B97.1-12	WASHER 12
32	XSZ56-1-17	HAIR PIN
33	632022	ASM, HYDRO IDLER
34	B276-6203RS	BEARING 6203-2RS
35	B893.1-40	SNAP RING 40
36	5201077	BUSHING
37	B5782-845	BOLT M8X45
38	3303034	WASHER 8MM
39	H-71497	FILTER KIT
40	633273	CLAMP, 11/16" WIRE
41	B93-10	SPLIT LOCK WASHER M10

**ROPS ASSEMBLY**



ITEM	PART NO.	DESCRIPTION
1	153025	#4 HAIRPIN COTTER
2	100332	SCREW, HH 1/2-13 X 3-1/4
3	632031	ROPS ASM
4	104259	1/2-13 HEX NYLOC NUT
5	543262	PIN, ROPS W/LANYARD
6	633152	SPRING, DB ROPS
7	100334	1/2-13 X 3-1/2 HHCS
8	104509	1/2-13 REG HEX NUT
9	100049	SCREW, HH TAP 1/2-13 X 3

**HARNESS/BATTERY GROUP**



---

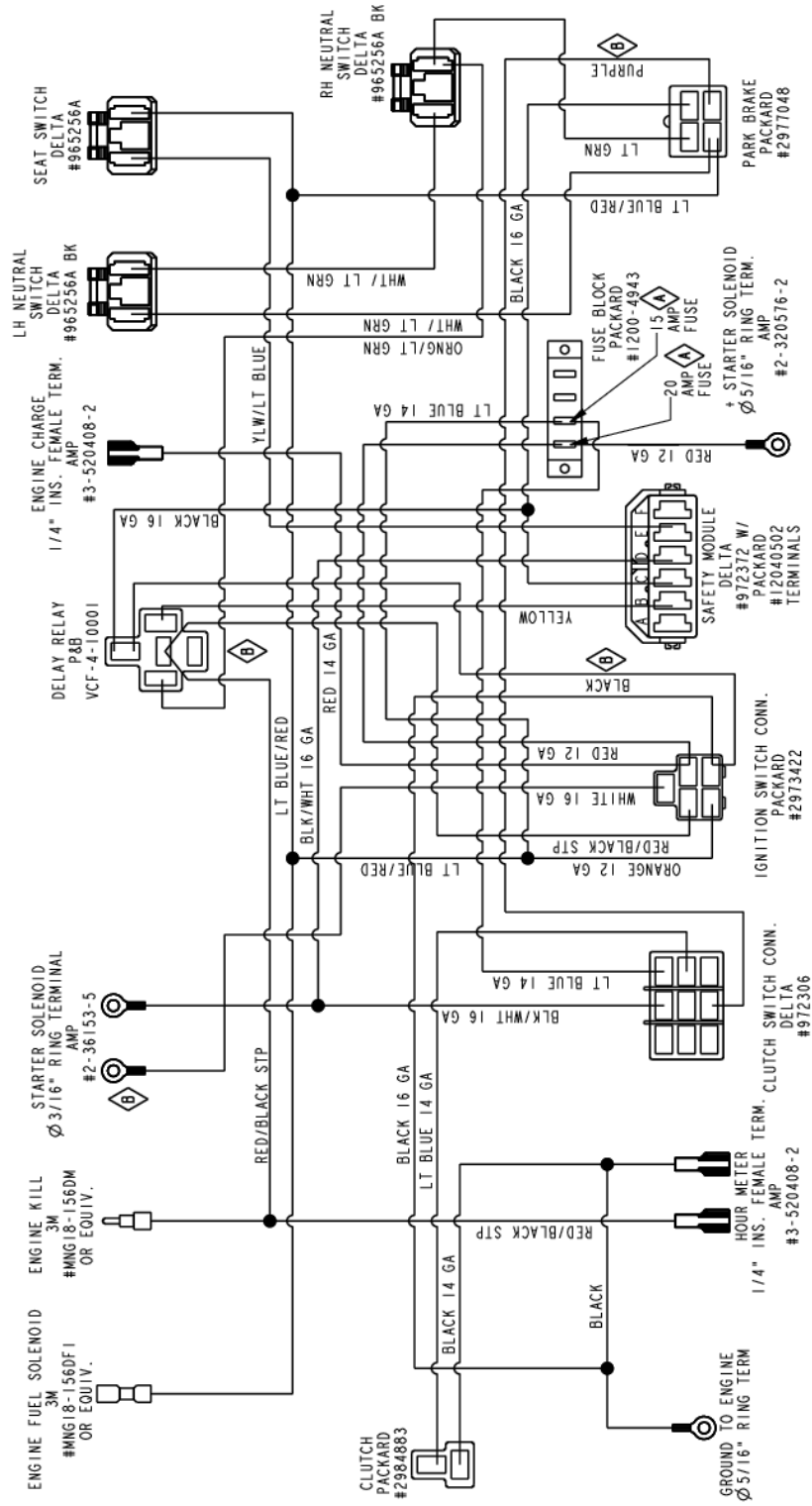


---

**HARNESS BATTERY GROUP**

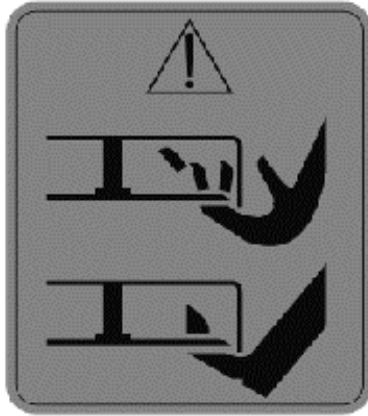
<b>ITEM</b>	<b>PART NO.</b>	<b>DESCRIPTION</b>
1	104252	#10-24 HEX NYLOC NUT
2	104255	1/4-20 HEX NYLOC NUT
3	109009	#10-24 X 3/4 HHCS
4	109012	1/4 WING NUT
5	FOR REFERENCE ONLY	BATTERY 12 V
6	423172	BATTERY HOLD DOWN ROD – PLATED
7	422150	STARTER RELAY W/TERMINALS
8	543330	CABLE, BATTERY NEGATIVE
9	583351	RELAY
10	583423	TIME DELAY MODULE
11	823199	BATTERY BOOT
12	2808106	CABLE, BATTERY POS
13	2808107	COVER
14	4807105	POSITIVE POLE CABLE-BATTERY
15	453419-1	BATTERY HOLD DOWN – BLACK
16	B5783-620	SCREW, HH TAP M6 X 20
17	B5787-616	SCREW, HH FLANGE M6 X 16
18	B6182-6	NUT, NYLOC M6
19	B6183.1-6	FLANGED LOCKNUT M6
20	B96-6	WASHER, FLAT LARGE M6
<b>NOT SHOWN</b>	633098	WIRE HARNESS SEE PG 33 FOR DETAIL

# WIRING HARNESS

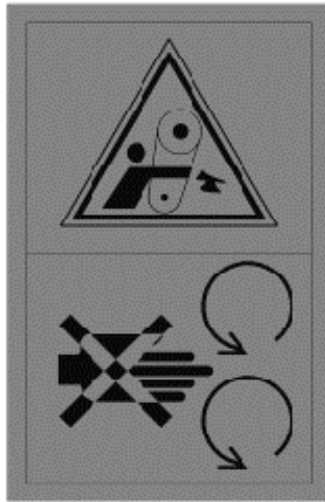


- NOTES:
1. WIRE IS 18 GA. UNLESS NOTED OTHERWISE
  2. ALL WIRE TERMINALS AND CONSTRUCTION ARE TO BE PER NMMA/ABC ENGINEERING SPECIFICATIONS
  3. ALL LIKE COLORED WIRES MUST BE ELECTRONICALLY CONNECTED UNLESS CIRCUIT CODING SHOWS OTHERWISE.
  4. ALL TERMINALS ARE TO BE SIZED TO THE GAUGE OF WIRE THEY ARE BEING INSTALLED ON.
  5. ALL HOUSINGS AND MOLDED PLUGS THAT SHOW P IN POSITION ARE FROM REAR (WIRE SIDE) VIEW.

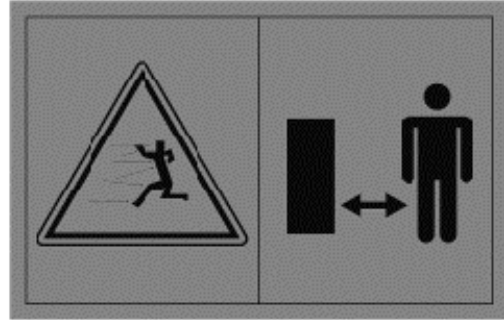
## DECAL ASSEMBLY



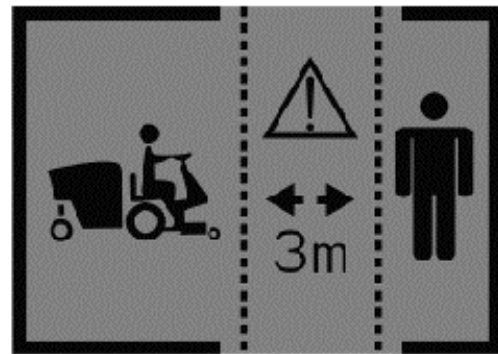
633341



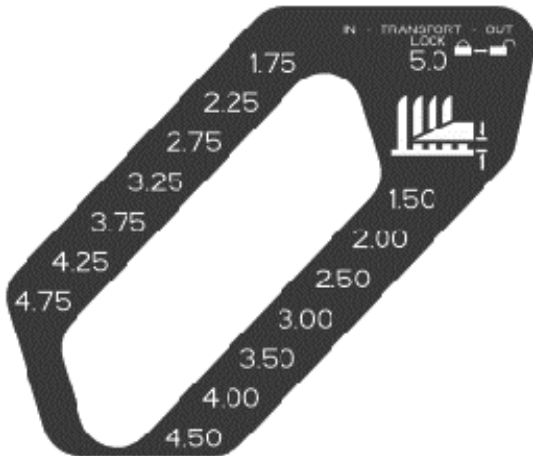
633344



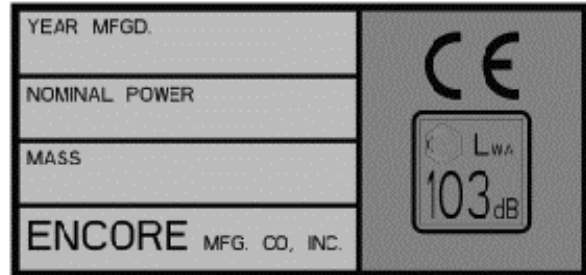
633343



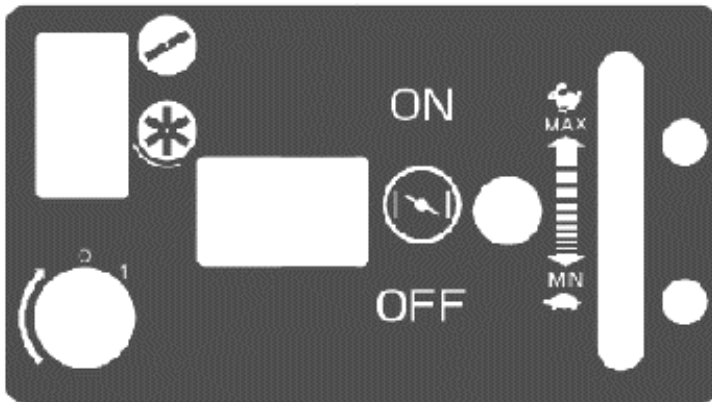
633345



633351



633349



633350



633342

**DECAL ASSEMBLY**



8324



543433



543392



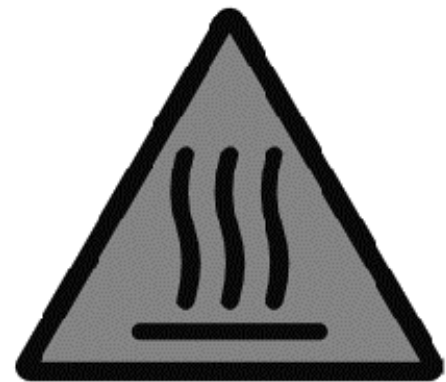
8303



633347



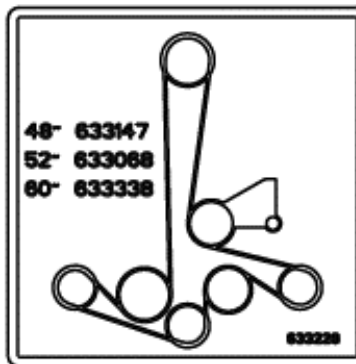
633348



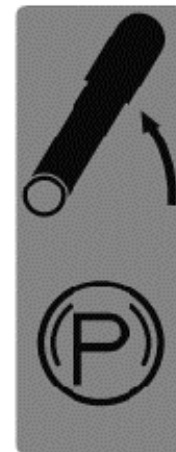
633346



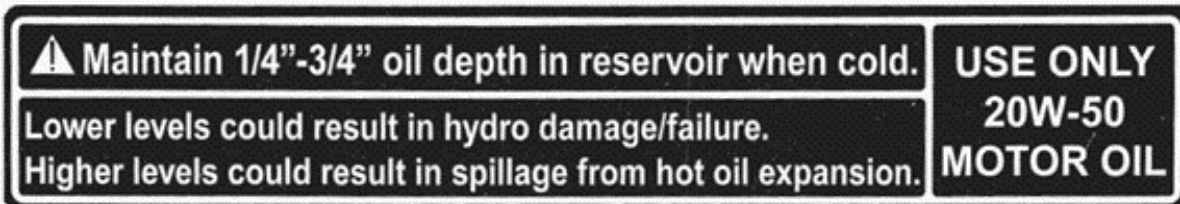
543397



633228



633352



543396





**ENCORE**

**ALL RIGHTS RESERVED**

**CONTENTS SUBJECT TO CHANGE**

**EDGE CE PARTS MANUAL**

**933318 202211**