



EE48LS2P82F32CE

EE52LS2P82F32CE


# PARTS MANUAL





**ENCORE**  
POWER EQUIPMENT  
ENCOREEQUIPMENT.COM

 **401 COMMERCE STREET**  
BEATRICE, NE 68310

 **800-267-4255**

 **402-223-4103**





## AVAILABLE ACCESSORIES

---

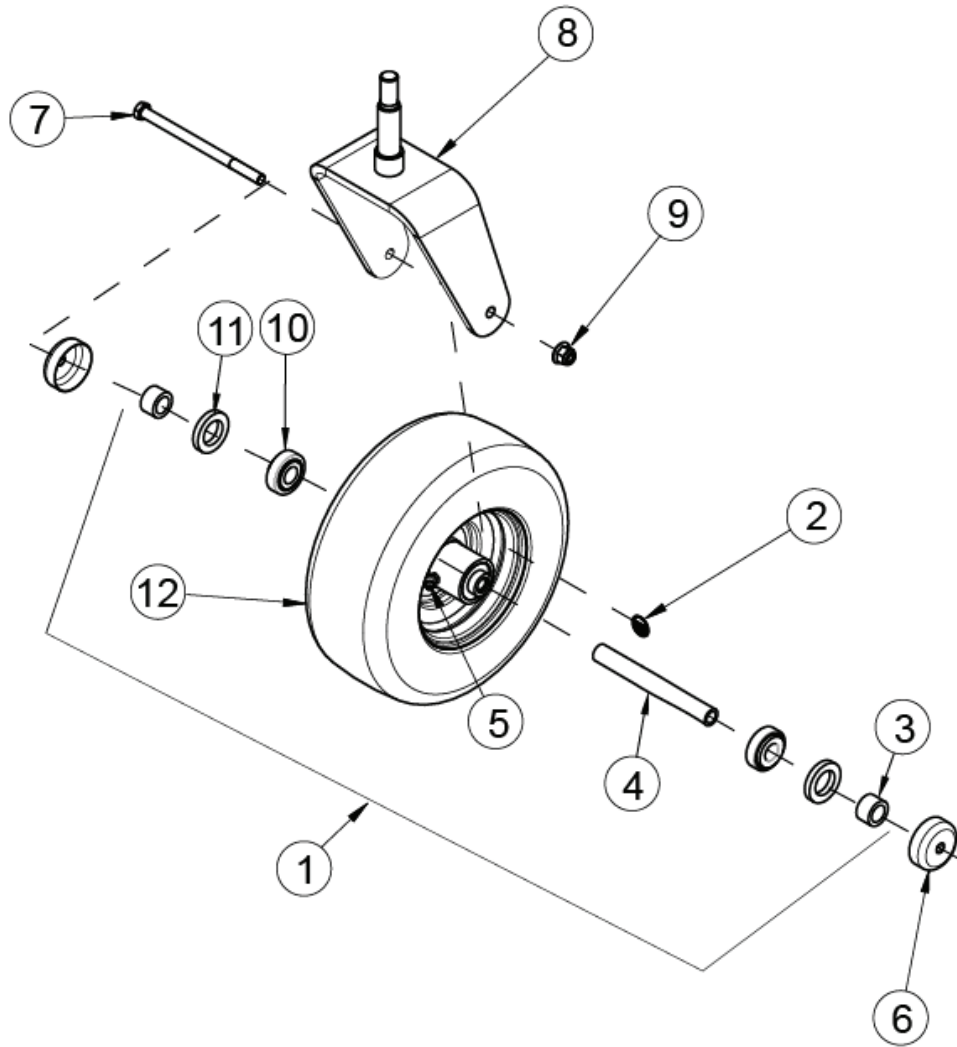
ACCESSORY LIST WILL BE AVAILABLE AT A LATER DATE

# CONTENTS



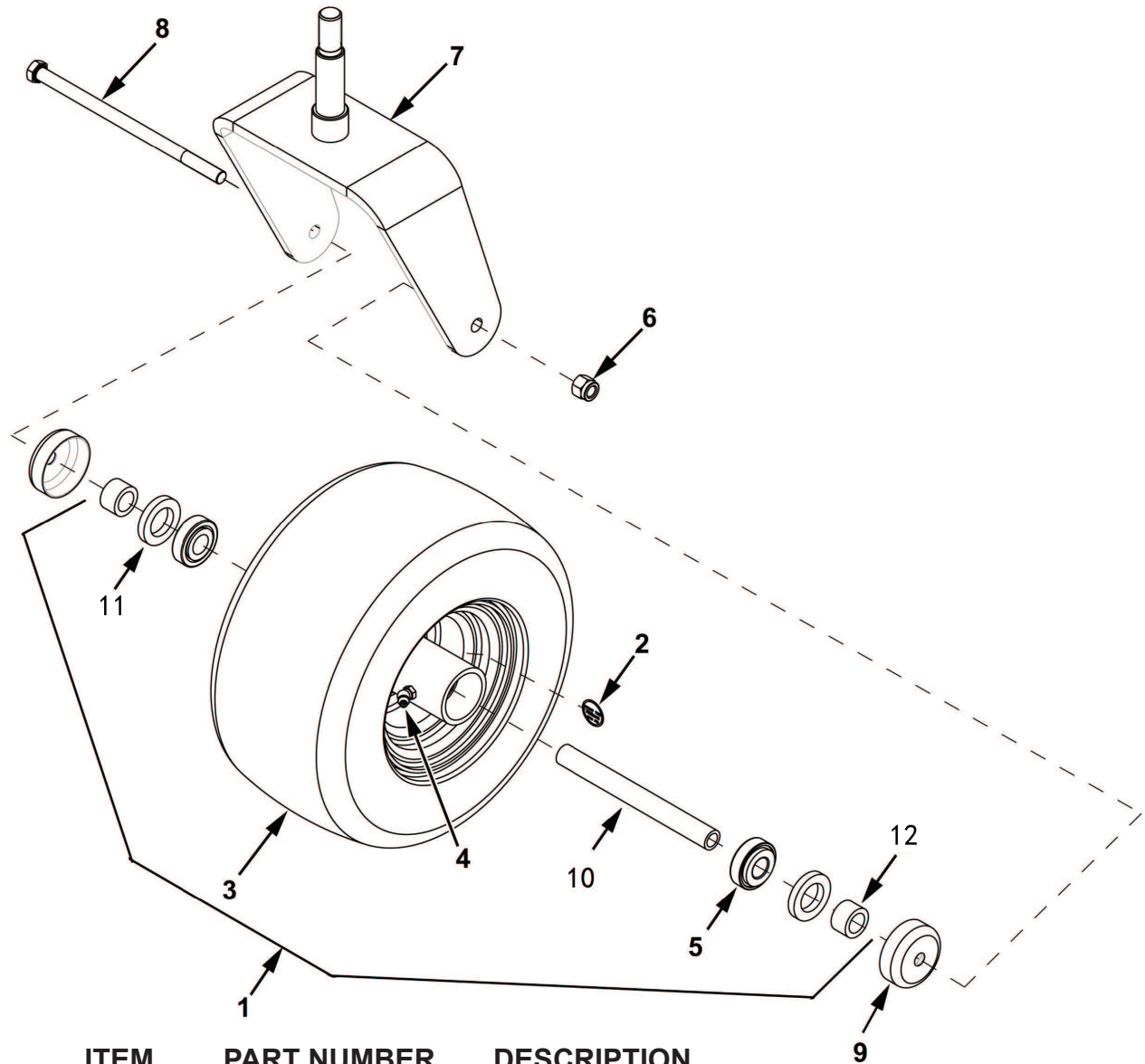
AVAILABLE ACCESSORIES .....	4
48" NARROW CASTER ASSEMBLY.....	6
OLD 52" & 60" WIDE CASTER ASSEMBLY .....	7
NEW WIDE CASTER ASSEMBLY .....	8
FRAME ASSEMBLY .....	9
SEAT ASSEMBLY.....	12
MOTION CONTROL ASSEMBLY .....	13
OLD MOTION CONTROL SUB ASSEMBLY .....	14
NEW MOTION CONTROL SUB ASSEMBLY .....	15
48" REAR TIRE ASSEMBLY .....	16
52" & 60" REAR TIRE ASSEMBLY .....	17
DECK LIFT ASSEMBLY .....	18
48" DECK ASSEMBLY .....	20
52" DECK ASSEMBLY .....	22
DECK IDLER ASSEMBLY .....	24
SPINDLE HOUSING ASSEMBLY .....	26
DECK IDLER ASSEMBLY .....	27
LONCIN ENGINE ENGINE ASSEMBLY 803CC .....	28
LONCIN ENGINE FUEL ASSEMBLY .....	30
HYDRO ASSEMBLY.....	32
PARK BRAKE ASSEMBLY .....	34
ROPS ASSEMBLY .....	35
LONCIN ENGINE ELECTRICAL ASSEMBLY .....	36
LONCIN ENGINE WIRING HARNESS .....	37
DECAL ASSEMBLY .....	39

# NARROW CASTER ASSEMBLY

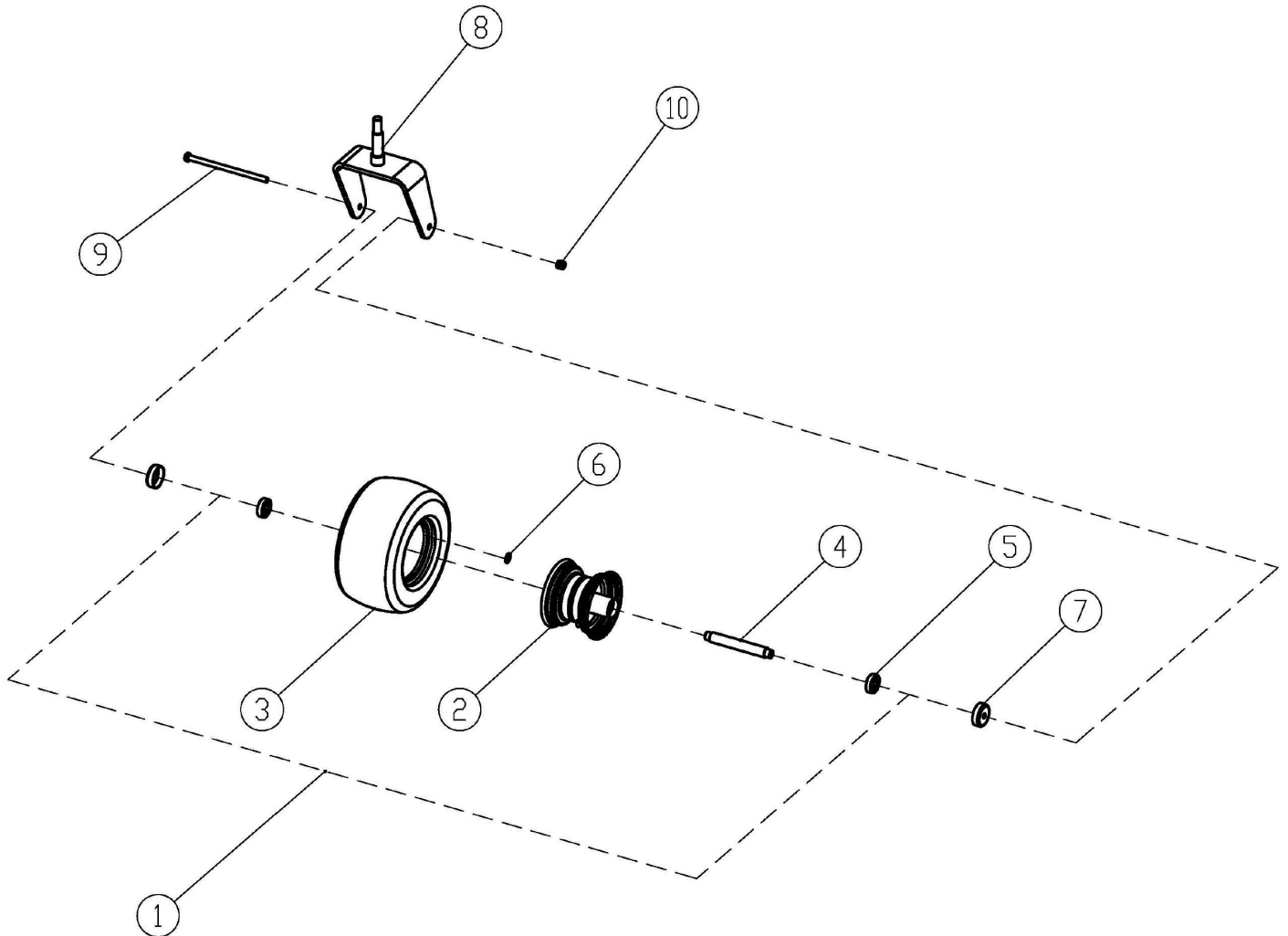


ITEM	PART NUMBER	DESCRIPTION
1	5202001	ASM, WHT WHL COMPLETE 13X5.0-6 PNEUMATIC
2	453389	DECAL, FRONT TIRE PRESSURE
3	5202035	BUSHING .78
4	5202038	TUBE, AXLE
5	B1153-8	GREASE FITTING M8X1X45
6	5202026	CAP, DUST
7	5202029	SCREW, HH CAP M12 X 185
8	5202150	YOKE, CASTER WHEEL
9	B6184-12	NUT, M12
10	5202037	BEARING, TAPERED ROLLER
11	5202036	SEAL, LIP
12	5202039	TIRE, 13 X 5.0-6 PNEUMATIC

# OLD WIDE CASTER ASSEMBLY

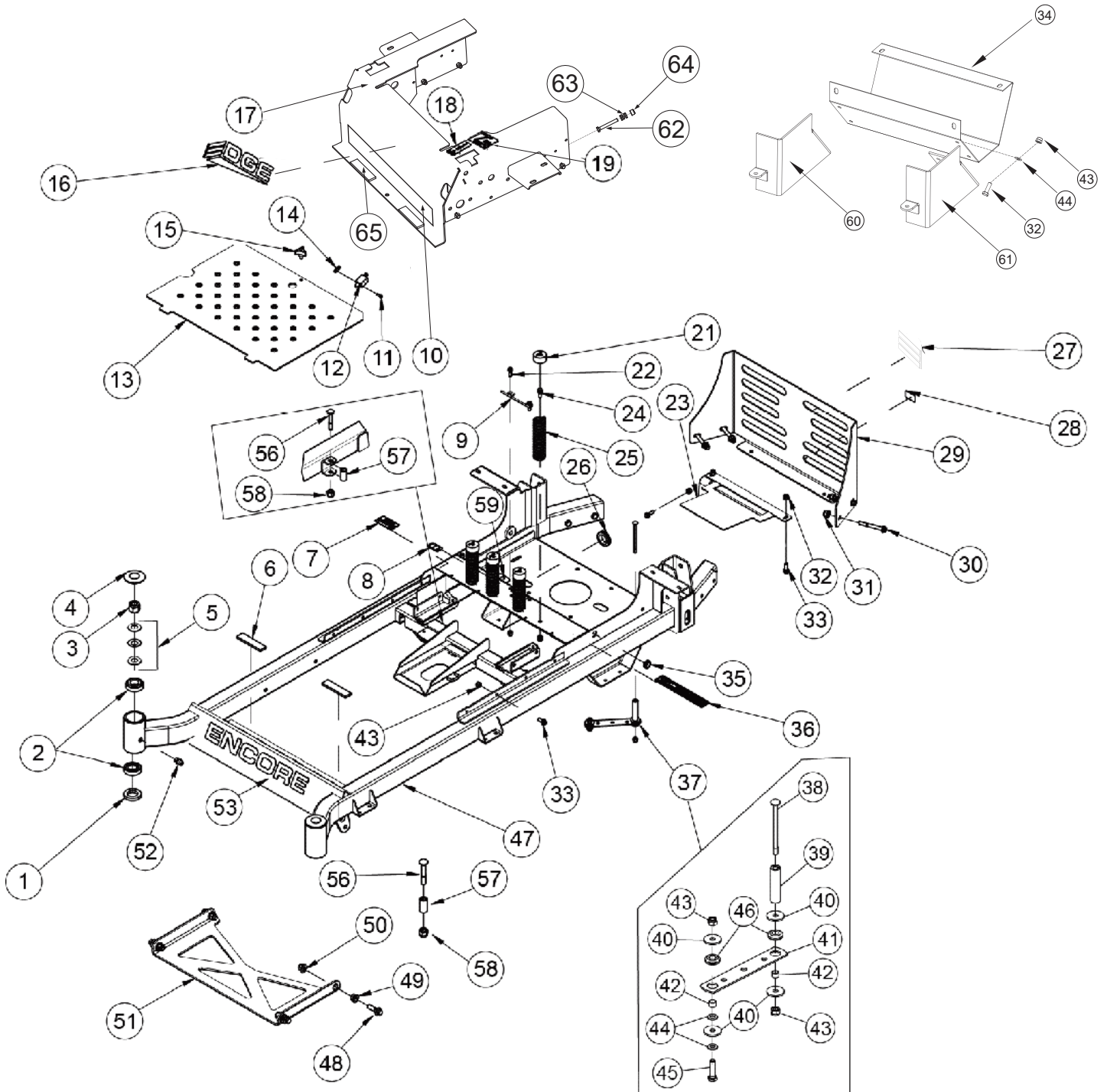


ITEM	PART NUMBER	DESCRIPTION
1	542070	ASM, WHEEL COMPLETE 13 X 6.5-6 PNEUM-WHITE
2	453389	DECAL, FRONT TIRE PRESSURE
3	542007	TIRE, 13 X 6.5-6 PNEUMATIC
4	111009	ZERK, 45° 1/4-28
5	5202037	BEARING, TAPERED ROLLER
6	B6184-12	NUT, M12
7	542011-2	WLD,CASTER FORK 6.5, RED
8	543189	BOLT, M12 X 225 MM
9	5202026	CAP, DUST
10	543230	TUBE, AXLE
11	5202036	SEAL, LIP
12	5202035	BUSHING .78



ITEM	PART NUMBER	DESCRIPTION
1	542070G	ASM, WHT WHL COMPLETE 13X6.5-6 PNEUMATIC
2	542070G-3	RIM, 6 X 6.5-6 WHITE BB
3	632041G-8	TIRE, 13X6.5-6 PNEUMATIC
4	632041G-10	TUBE, AXLE
5	B276-6204-2RS	BEARING,BALL
6	453389	DECAL, FRONT TIRE PRESSURE
7	632041G-11	CAP, DUST
8	542011-2	YOKE, CASTER WHEEL
9	543189	BOLT, M12 X 225 MM
10	B6184-12	NUT, M12

# FRAME ASSEMBLY





## FRAME ASSEMBLY

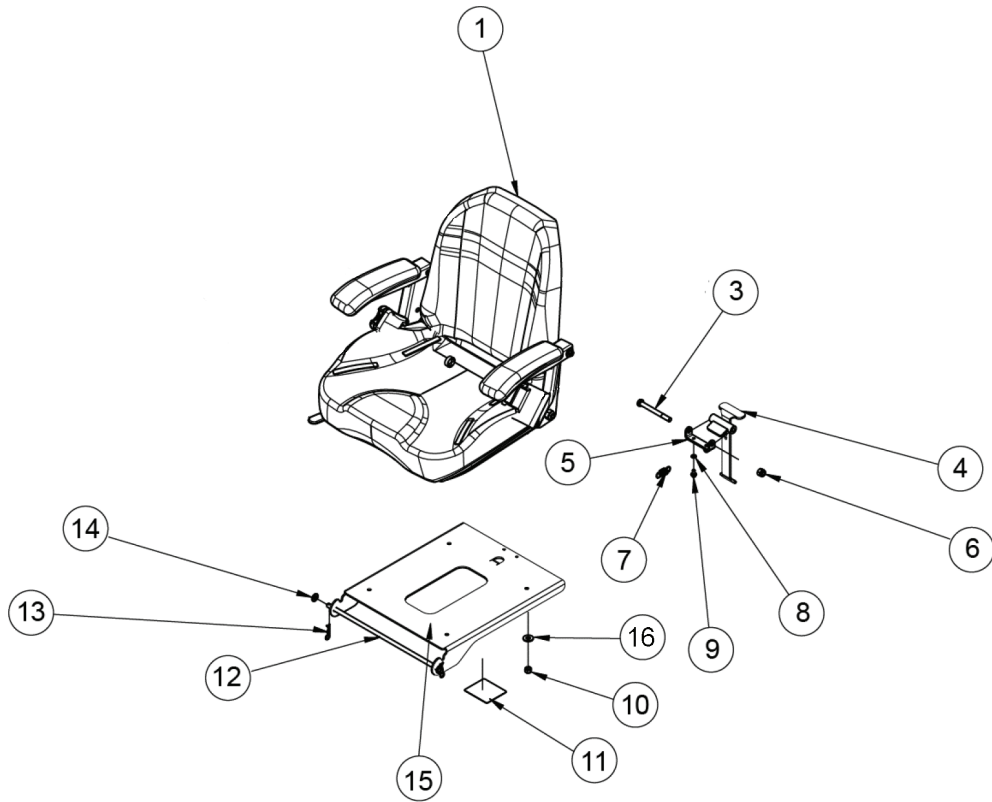
ITEM	PART NUMBER	DESCRIPTION
1	B13871-B32528	SEAL (F) 32 X 52 X 8
2	B297-30205	BEARING 30205
3	B6182-20	NUT, NYLOC M20
4	5202009	CAP, DUST
5	B1972-A40	WASHER, SPRING DISC A40
6	363201	PAD, FUEL TANK
7	REF ONLY	DECAL, SERIAL PLATE
8	543433	DECAL, FUEL VALVE
9	633120	RAMP, SEAT LATCH
10	543401	DECAL, OPERATOR SAFTEY
11	B823-516	SCREW, M5 X 16
12	5208015	SWITCH, BRAKE
13	633011-1	PLATE, FOOT – BLK
14	5208103	NUT, RACK
15	633239	KNOB, 3-PRONG W/ STUD
16	633250	DECAL, EDGE
17	632055	ASM, SEAT CONSOLE W/DECAL
18	8324	DECAL, MOTION CONTROL
19	543391	DECAL, PARK BRAKE
21	5203045	COVER
22	B5787-820	SCREW, TAP HH M8 X 20
23	633235A	SHIELD, MUFFLER HEAT
24	B5787-820	SCREW, HH M8 X 20
25	5002022	SPRING
26	453382G	GROMMET, RUBBER 1-5/16" ID
27	363265	DECAL, SMALL ENCORE
28	8318	DECAL, MUFFLER TEMP
29	632057	ASM, REAR GUARD W/DECAL
30	B5787-1080	SCREW, FLANGE HEAD M10 X 80
31	B6183-10	NUT, NYLOC FLANGE M10
32	B6183-8	NUT, NYLOC FLANGE M8
33	B5787-825	SCREW, HH M8 X 25
34	633234CE	STRAP, MUFFLER GUARD
35	5002030	BUSHING, RUBBER
36	543396	DECAL, HYDRO RESERVOIR
37	632036G	ASM, CLUTCH STOP OGR
38	B801-8110	BOLT, CARRIAGE SN M8 X 110
39	633118G	SPACER, TUBE OGR
40	5203408	WASHER
41	5203411	STRAP, CLUTCH STOP
42	5203409	SPACER/BUSHING
43	B6182-8	NUT, NYLOC M8
44	B97.1-8	WASHER, 8
45	B5783-835	BOLT, M8 X 35

# FRAME ASSEMBLY



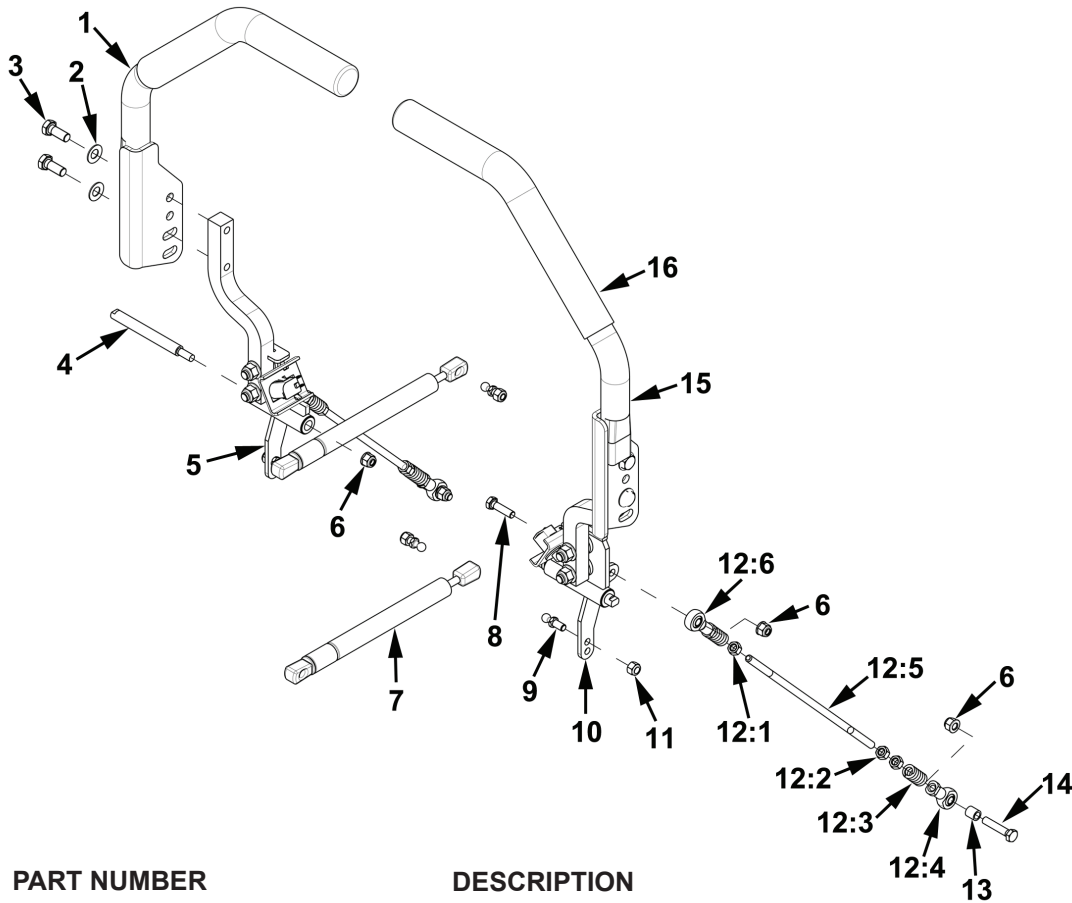
ITEM	PART NUMBER	DESCRIPTION
46	5203410	RUBBER RING 17
47	442017	ASM, BASIC PS FRAME
48	B5787-1240	SCREW, HH FLANGED M12 X 40
49	453288	BUSHING
50	B6183-12	NUT, NYLOC FLANGED M12
51	633010-2	PLATE, FRONT STRUT – RED
52	JB7940.1-06	FITTING, GREASE M6
53	543504	DECAL, ENCORE 16.75"
54	633258-1	WEIGHT, REAR (60" MODELS)
55	B5787-1030	SCREW, HH FLANGE M10 X 30 (60" MODELS)
56	B801-1055	BOLT, CARRIAGE SN M10 X 55
57	393070	BUSHING, DRIVE IDLER
58	B6182-10	NUT, NYLOC M10
59	B5783-860	SCREW,HH TAP M8X60
60	631022-8CE	GUARD, LOWER REAR RH
61	631022-5CE	GUARD, LOWER REAR LH
62	B5783-860	SCREW,HH TAP M8X60
63	5205003	SPRING, COMPRESSION
64	B6183-8	NUT,FLANGED NYLOC M8
65	363201	FUEL TANK PAD

# SEAT ASSEMBLY



ITEM	PART NUMBER	DESCRIPTION
1	543373G	SEAT
3	B5782-10100	BOLT M10 X 100
4	632131	WLD, SEAT LATCH
5	633050	STRAP, BRAKE LEVER
6	B6182-10	NUT, NYLOC M10
7	S262008	SPRING, RETURN
8	B97.1-6	WASHER 6
9	B5787-612	SCREW, FLANGED HH M6 X 12
10	B6182-8	NUT, NYLOC M8
11	543397	DECAL, BATTERY WARNING
12	633111	ROD, SEAT
13	363165	HAIRPIN COTTER
14	B97.1-10	WASHER, FLAT M10
15	632056	ASM. SEAT PAN W/DECAL
16	B97.1-10	WASHER, FLAT M10

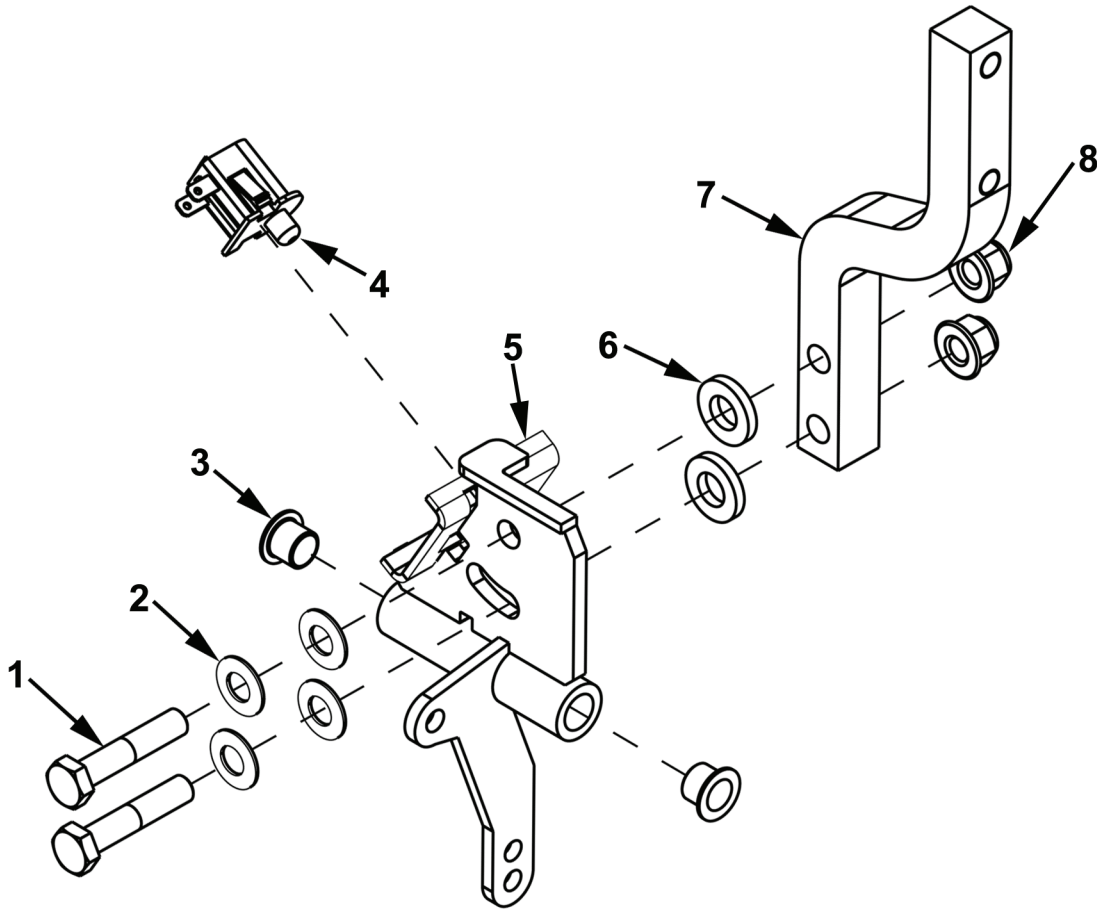
# MOTION CONTROL ASSEMBLY



ITEM	PART NUMBER	DESCRIPTION
1	632029	DRIVE LEVER RH W/ GRIP
2	B1972-A22.5-2	WASHER, SPRING DISC A22.5 OD
3	B5783-1025	SCREW, HH TAP M10 X 25
4	5002111	SHAFT, PIVOT
5	632010	ASM, MOTION CONTROL RH DETAIL ON PG 14
	632010G	ASM, MOTION CONTROL RH DETAIL ON PG 15-NEW VERSION
6	B6183-8	NUT, FLANGED NYLOC M8
7	583415	DAMPENER, CONTROL
8	B5783-830	SCREW, HH TAP M8 X 30
9	823221	STUD, BALL 10MM
10	632009	ASM, MOTION CONTROL LH DETAIL ON PG 14
	632009G	ASM, MOTION CONTROL LH DETAIL ON PG 15-NEW VERSION
11	3300119	NUT, HEX NYLOC 5/16-18
12	632030	ASM, HYDRO LINKAGE
12: 1	B6171-8L	NUT, LH M8X1
12: 2	B6171-8	NUT M8
12: 3	5205003	SPRING, COMPRESSION
12: 4	5205016	ROD END, SPHERICAL M8 RH SIBJK8S
12: 5	633088	ROD, MOTION CONTROL LINKAGE
12: 6	5205017	ROD END, SPHERICAL M8 LH SILBJK8S
13	633042	SPACER
14	B5783-840	SCREW, HH TAP M8 X 40
15	632028	DRIVE LEVER LH W/ GRIP
16	543156	GRIP, MOTION CONTROL LEVER

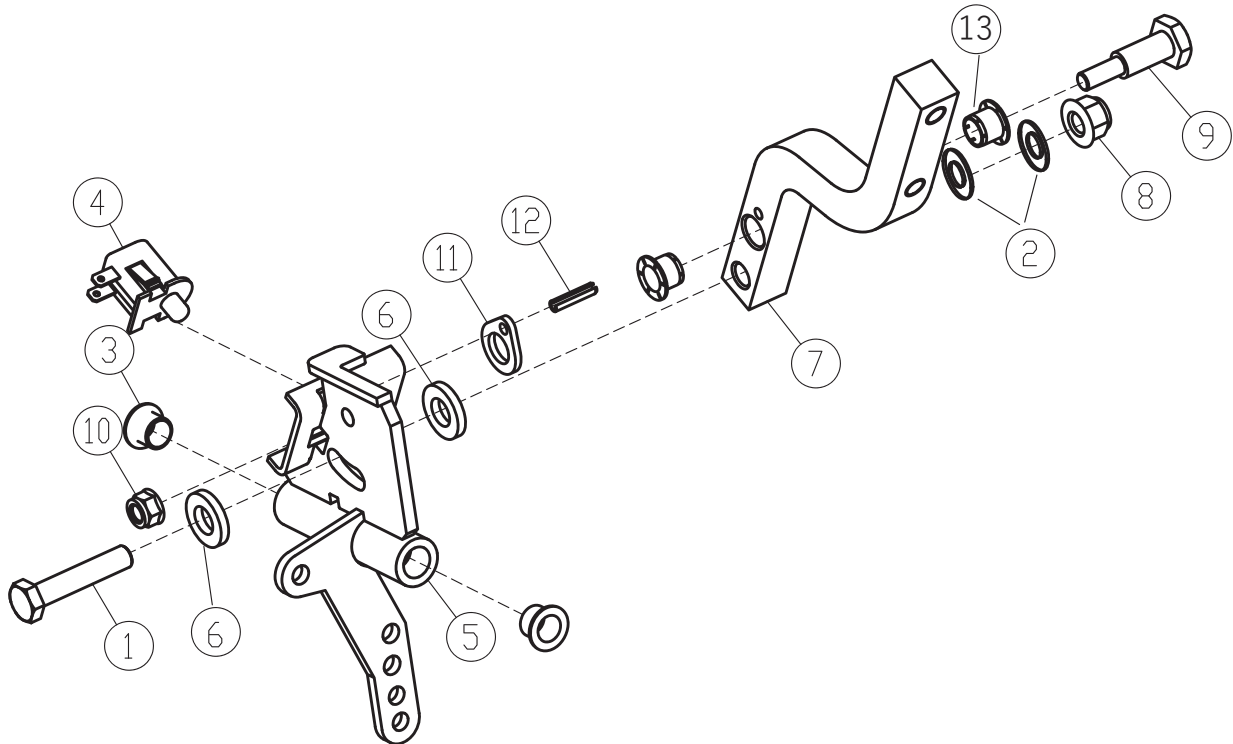


# ENCORE OLD MOTION CONTROL SUB ASSEMBLY



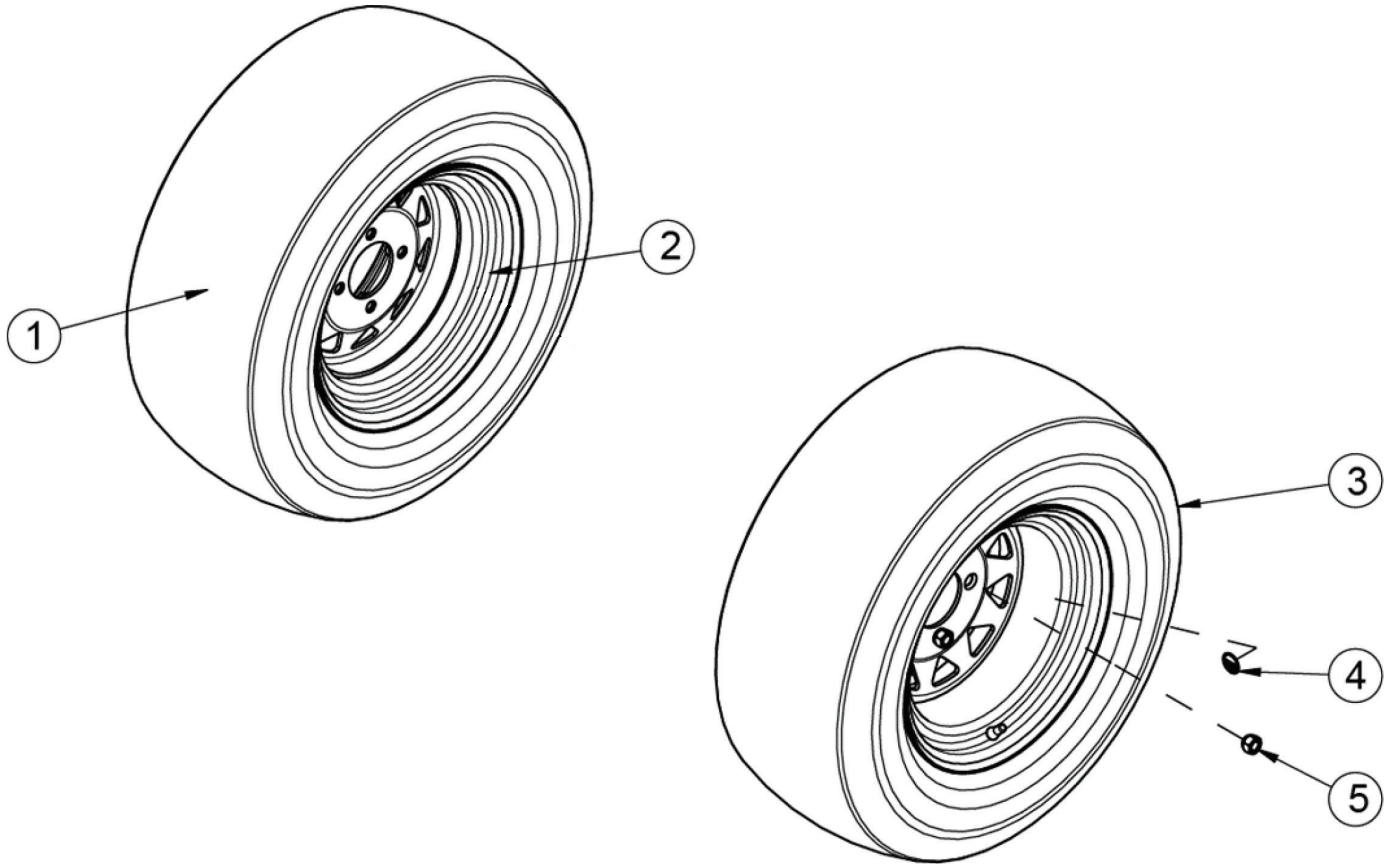
ITEM	PART NUMBER	DESCRIPTION
1	B5782-1050	SCREW, HH M10 X 50
2	B1972-A22.5-2	WASHER, SPRING DISC A22.5 OD
3	543154	BUSHING, MOTION CONTROL
4	353048	SWITCH, SEAT
5	632011	WLD, MOTION CONTROL LH
	632012	WLD, MOTION CONTROL RH
6	543152	WASHER, PLASTIC
7	633025	ARM, MOTION CONTROL
8	B6183-10	NUT, NYLOC FLANGE M10

# NEW MOTION CONTROL SUB ASSEMBLY



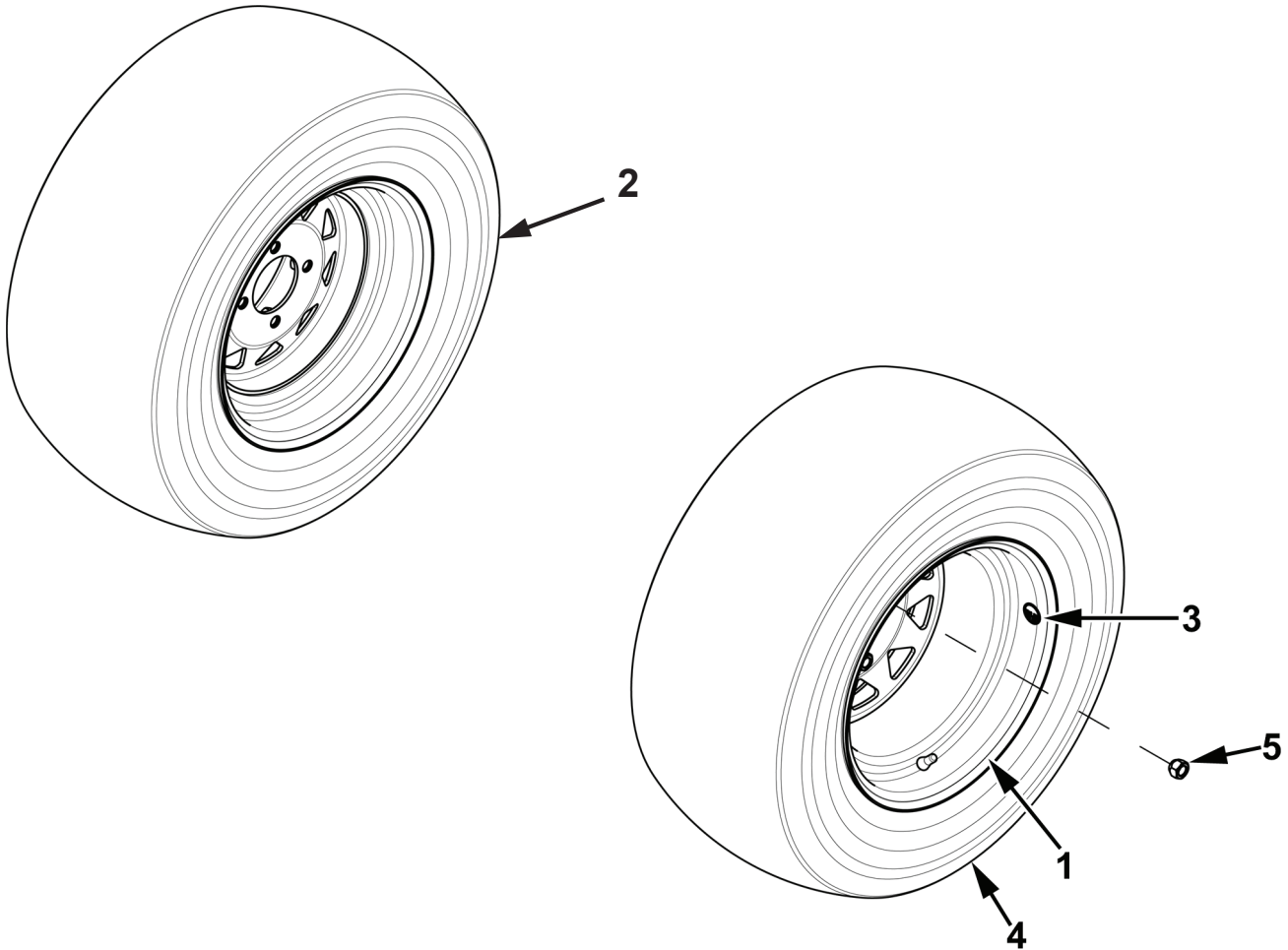
ITEM	PART NUMBER	DESCRIPTION
1	B5782-1050	SCREW, HH M10 X 50
2	B1972-A22.5-2	WASHER, SPRING DISC A22.5 OD
3	543154	BUSHING, MOTION CONTROL
4	353048	SWITCH, SEAT
5	632011G 632012G	WLD, MOTION CONTROL LH WLD, MOTION CONTROL RH WASHER,
6	543152	PLASTIC
7	633025G	ARM, MOTION CONTROL
8	B6183-10	NUT, NYLOC FLANGE M10
9	632011-3	BOLT, PIVOT
10	B6187.1-8	NUT, M8 LOCKING FLG
11	632011-4	RING, LOCK
12	B879.1-522	ROLLPIN, 5X22
13	3224020	BUSHING, 12X14X12

# 48" REAR TIRE ASSEMBLY

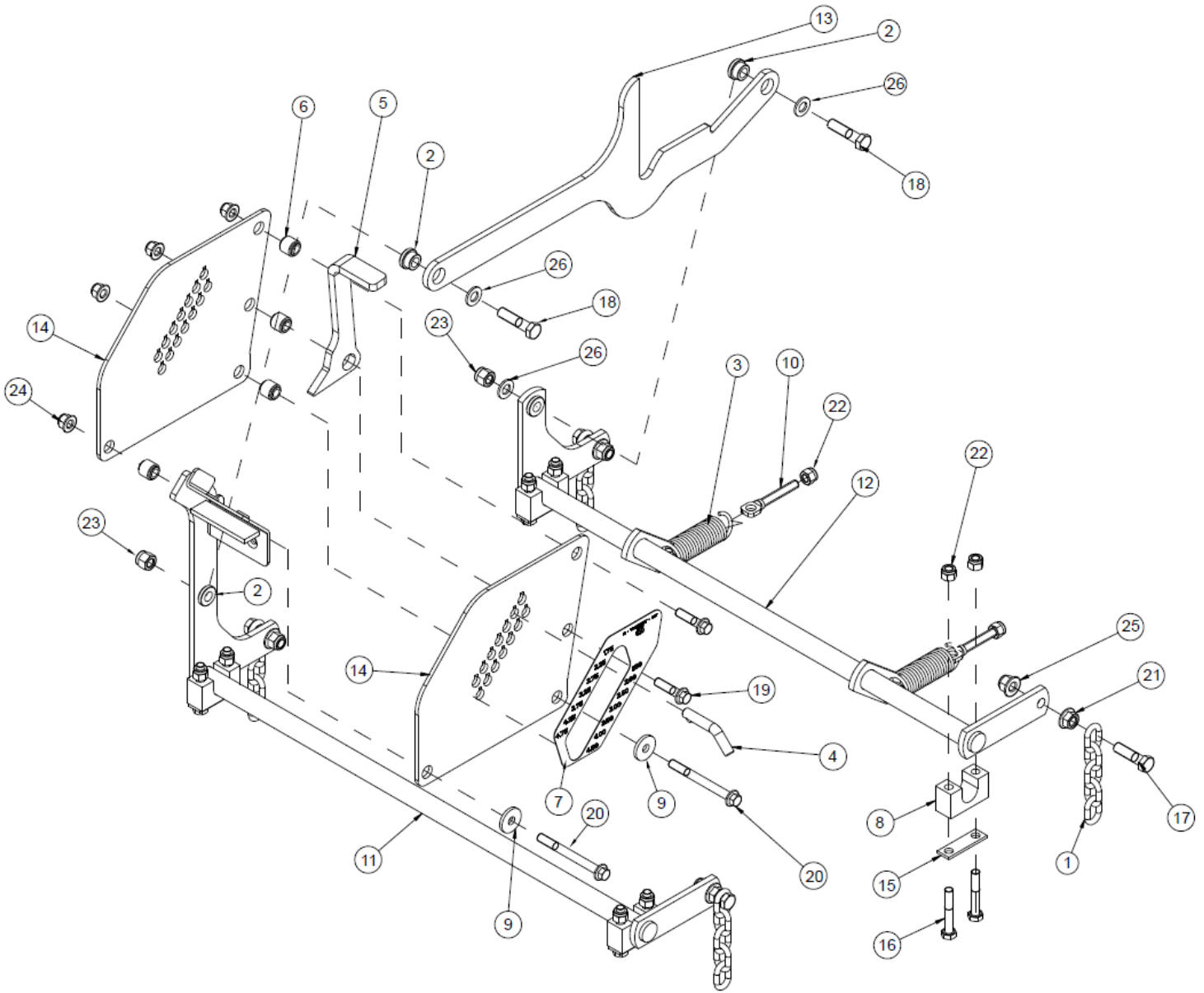


ITEM	PART NUMBER	DESCRIPTION
1	542073	TIRE, 23 X 9.5-12
2	542078	WHEEL, BLK 12 X 7
3	543289	ASM, WHEEL & TIRE
4	453390	DECAL, REAR TIRE PRESSURE
5	5000001	NUT, LUG 1/2-20

# 52" REAR TIRE ASSEMBLY



ITEM	PART NUMBER	DESCRIPTION
1	5200012	RIM, DRIVE WHEEL
2	5200011	TIRE, 23 X 10.5-12
3	453390	DECAL, REAR TIRE
4	5200001	PRESSURE ASM, REAR TIRE
5	5000001	NUT, LUG 1/2-20 X 60

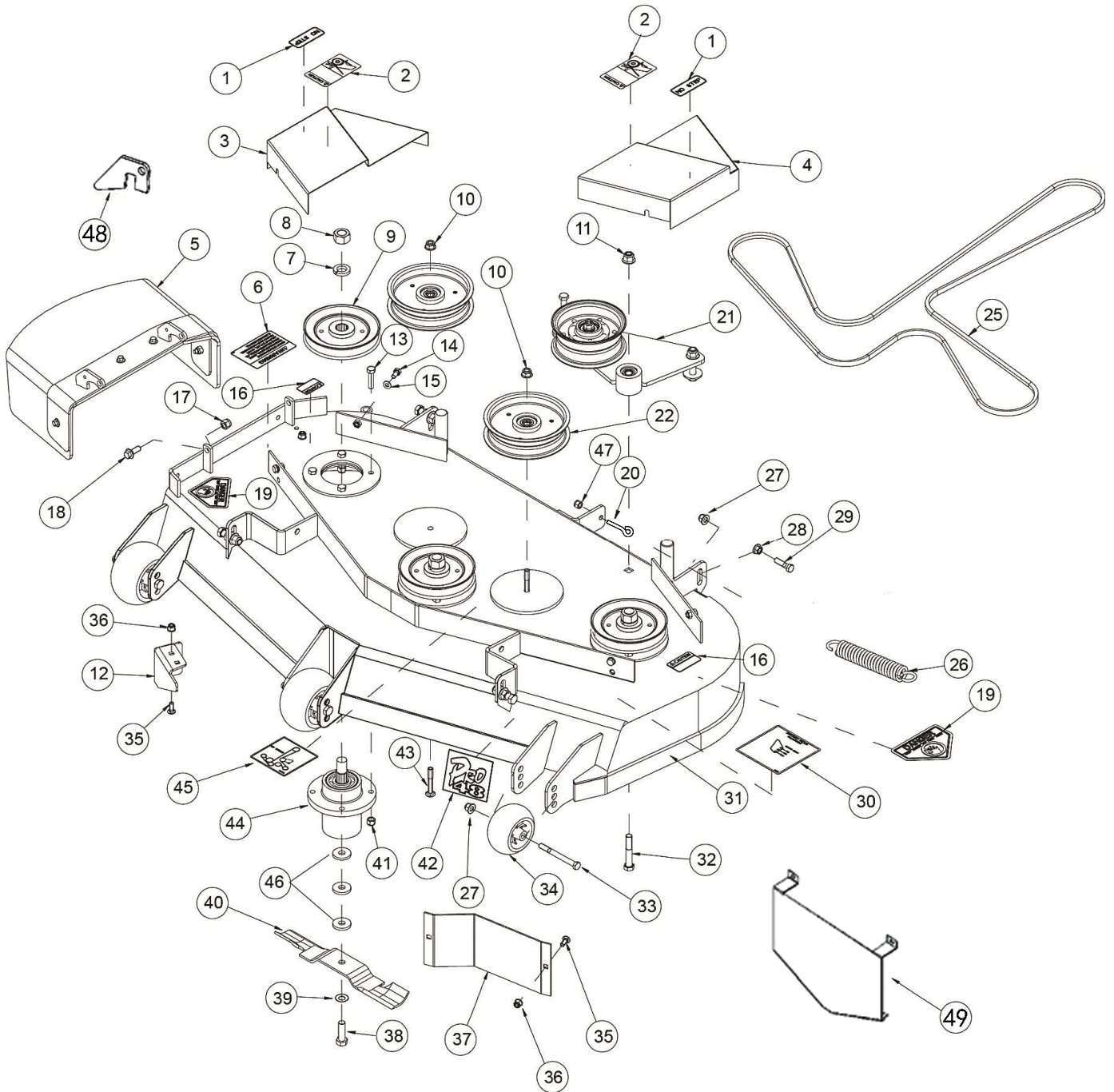


# DECK LIFT ASSEMBLY



ITEM	PART NO	DESCRIPTION
1	423359	FRONT CHAIN (5 LINKS)
2	453288	BUSHING
3	523327	FLOATING IDLER SPRING
4	543207	PIN, HOC
5	633031	LATCH, TRANSPORT
6	633032	SPACER, HOC
7	633106	DECAL, DECK HEIGHT
8	633119G	BLOCK, 25MM PIVOT
9	5201083	SPACER
10	2802083B	CONNECTING ROD
11	632004-1	WLD, FT CROSS SHAFT – BLK
12	632005-1	WLD, REAR CROSS SHAFT – BLK
13	633027-1	DECK LIFT LINK – BLACK
14	633028-1	PLATE, HOC – BLACK
15	633220-1	PLATE, 25MM PIVOT BLOCK
16	B5782-1060	BOLT 10X60
17	B5783-1245	SCREW, HH M12 X 45
18	B5782-1250	SCREW, HH CAP M12 X 50
19	B5787-1040	SCREW, HH FLANGE M10X40
20	B5787-10100	SCREW, HH FLANGED M10 X 100
21	B6177-12	NUT, FLANGED M12
22	B6182-10	NUT, NYLOC M10
23	B6182-12	NUT, NYLOC M12
24	B6183-10	NUT, NYLOC FLANGE M10
25	B6183-12	NUT, NYLOC FLANGE M12
26	B97.1-12	WASHER 12

# 48" DECK ASSEMBLY

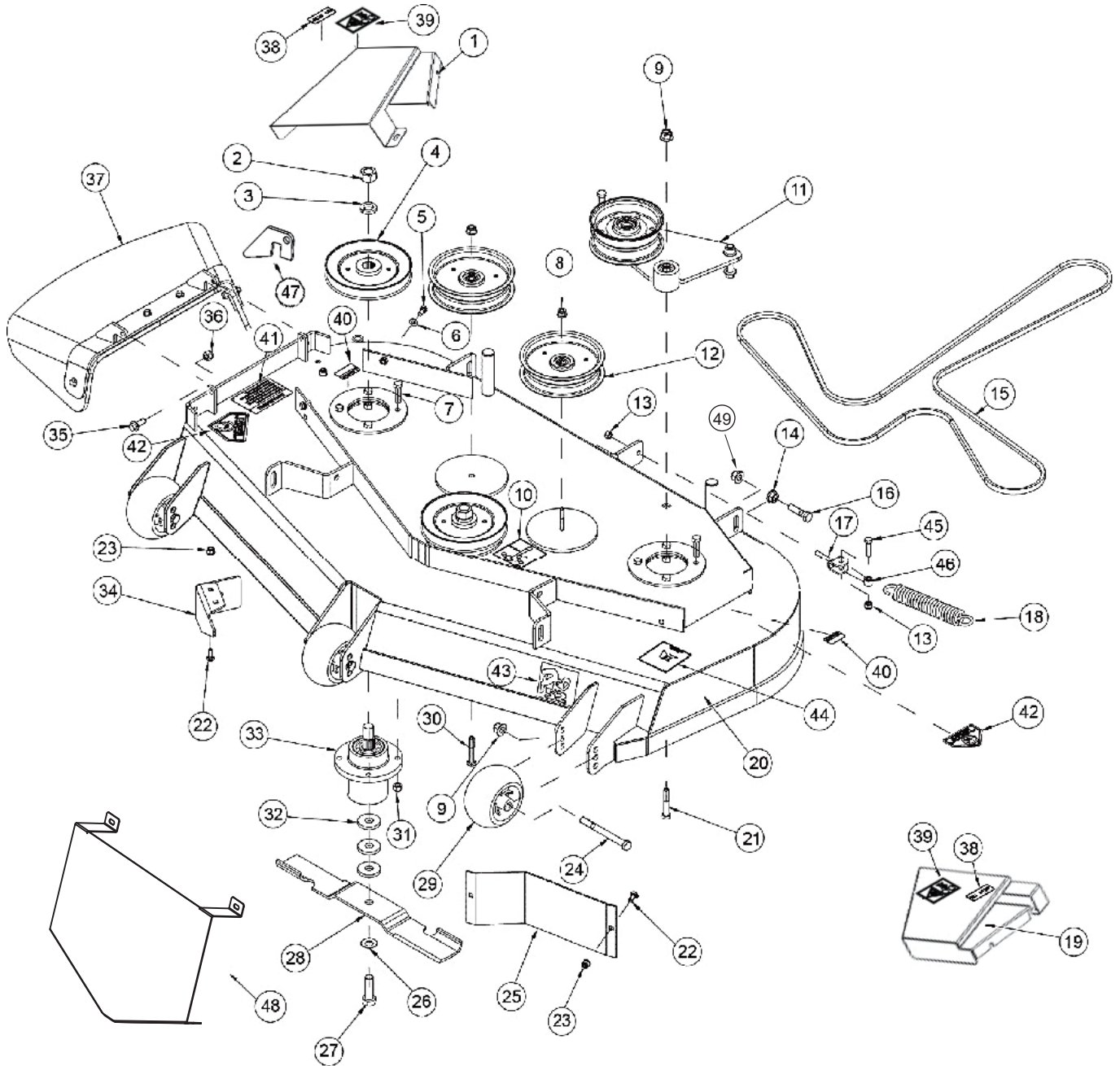


# 48" DECK ASSEMBLY



ITEM	PART NUMBER	DESCRIPTION
1	8304	DECAL, NO STEP
2	8008	DECAL, CAUTION, GUARDING LG
3	632065CE-1	SHIELD, RH DB 48 BELT W/DECALS
4	632064CE-1	SHIELD, LH DB 48 BELT W/DECALS
5	632066-3CE	ASM, DISCHARGE CHUTE
6	8307	DECAL, DISCHARGE WARNING
7	105010	WASHER, LOCK 3/4"
8	104511	NUT, HEX 3/4-16
9	632061	PULLEY, 48 DECK
10	B6187-10	FLANGED TOPLOCK M10
11	B6183-12	NUT, NYLOC FLANGE M12
12	543212-2	BAFFLE, DOGLEG 48, RED
13	100294	SCREW, HH 3/8-16 X 1-1/2
14	B5783-816	SCREW, HH TAP M8 X 16
15	B97.1-8	Washer 8
16	8303	DECAL, CAUTION, GUARDING SM
17	B6182-10	NUT, NYLOC M10
18	B5787-1025	SCREW, HH FLANGE M10 X 25
19	363023	DECAL, DANGER HANDS AND FEET
20	363080	EYEBOLT-RIGHT
21	632034	ASM, DECK IDLER DETAILED ON PG 24
22	542147	ASM, 150MM FLAT IDLER W/SPACER DETAILED ON PG 27
25	633147	BELT, 48 DECK
26	632134	SPRING KIT
27	B6183-12	NUT, NYLOC FLANGE M12
28	B6177-12	NUT, FLANGED M12
29	B5782-1245	SCREW, HH M12 X 45
30	543392	DECAL, ANTI-SCALP ROLLER
31	632062CE-2	ASM, 48 DB DECK W/DECALS
32	B801-1270	BOLT, CARRIAGE M12 X 70
33	B5782-12120	SCREW, HH M12 X 120
34	543225	ROLLER, ANTI SCALP
35	B801-820	BOLT, CARRIAGE SN M8X20
36	B6183-8	NUT, FLANGED NYLOC M8
37	543216-2	BAFFLE, BIRDWING 48 - RED
38	100347	SCREW, HH 5/8-11 X 2
39	5201042	WASHER, SPRING DISC 5/8"
40	483103	BLADE, 16.250" OFFSET
41	104257	NUT, NYLOC HEX 3/8-16
42	483075	PRO-48 DECAL
43	B801-1060	BOLT, CARRIAGE M10 X 60
44	583106	ASSY, BLADE SPINDLE
45	633228	DECAL, BELT ROUTING
46	363382	BLADE SPACER .250 X Ø1.75 PLATED [.63]
47	104256	NUT, NYLOC 5/16-18
48	632066-5CE	LIMIT PLATE
49	632063-3CE	MIDDLE BELT

# 52" DECK ASSEMBLY

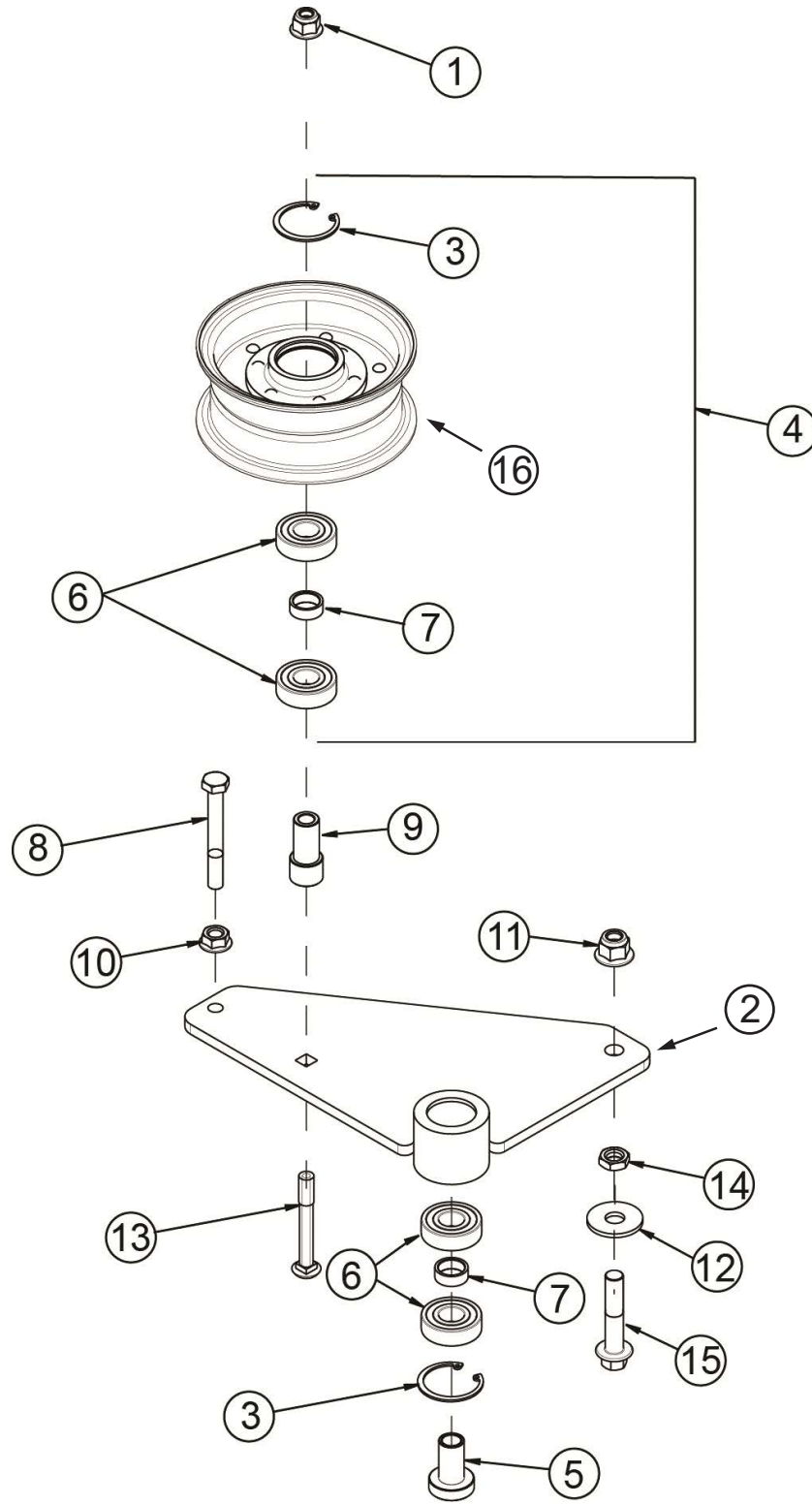


# 52" DECK ASSEMBLY



ITEM	PART NUMBER	DESCRIPTION
1	632047	SHIELD, RH DB 52 BELT, W/DECALS
2	104511	NUT, HEX 3/4-16
3	105010	WASHER, LOCK 3/4"
4	452073	PULLEY, DECK
5	B5783-816	SCREW, HH TAP M8 X 16
6	B97.1-8	Washer 8
7	5203435	SCREW, HH 3/8-16 X 1-1/2
8	B6187-10	FLANGED TOPLOCK M10
9	B6183-12	NUT, NYLOC FLANGE M12
10	633228	DECAL, BELT ROUTING
11	632034	ASM, DECK IDLER DETAILED ON PG 24
12	542147	ASM, 150MM FLAT IDLER W/SPACER DETAILED ON PG 25
13	B6182-8	NUT, NYLOC M8
14	B6177-12	NUT, FLANGED M12
15	633068	BELT, DECK
16	B5783-12045	SCREW, HH M12 X 45
17	632124	ASM, YOKE
18	5207015	IDLER PULLEY SPRING
19	632046	SHIELD, LH DB 52 BELT W/DECALS
20	632050	ASM, 52 DB DECK W/DECALS
21	B801-1270	BOLT, CARRIAGE M12 X 70
22	B801-820	BOLT, CARRIAGE SN M8X20
23	B6183-8	NUT, FLANGED NYLOC M8
24	B5782-12120	SCREW, HH M12 X 120
25	543046-2	BAFFLE, BIRDWING LH
26	5201042	WASHER, SPRING DISC 5/8"
27	100347	SCREW, HH 5/8-11 X 2
28	823004	18" HI LIFT BLADE
29	543225	ROLLER, ANTI SCALP
30	B801-1060	BOLT, CARRIAGE M10 X 60
31	104257	NUT, NYLOC HEX 3/8-16
32	363382	BLADE SPACER .250 X Ø1.75 PLATED [.63]
33	583106	ASSY, BLADE SPINDLE
34	543213-2	BAFFLE, DOGLEG 52, RED
35	B5787-1025	SCREW, HH FLANGE M10 X 25
36	B6182-10	NUT, NYLOC M10
37	6001050A	ASM, DISCHARGE CHUTE 52/60
38	8304	DECAL, NO STEP
39	8008	DECAL, CAUTION, GUARDING LG
40	8303	DECAL, CAUTION, GUARDING SM
41	8307	DECAL, DISCHARGE WARNING
42	363023	DECAL, DANGER HANDS AND FEET
43	523493	DECAL, 52"
44	543392	DECAL, ANTI-SCALP ROLLER
45	B5783-835	BOLT M8 X 35
46	633301	BUSHING
47	632023-7CE	LOCK, CHUTE
48	632002-4CE	GUARD, CENTER DECK
49	B6183-12	NUT,M12

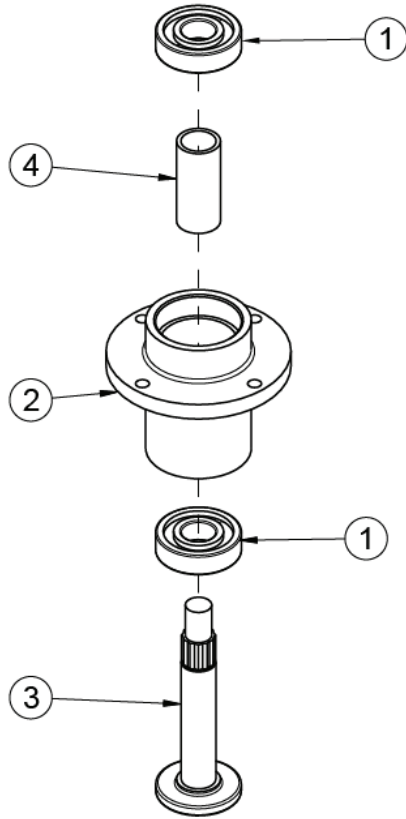
# DECK IDLER ASSEMBLY



# DECK IDLER ASSEMBLY

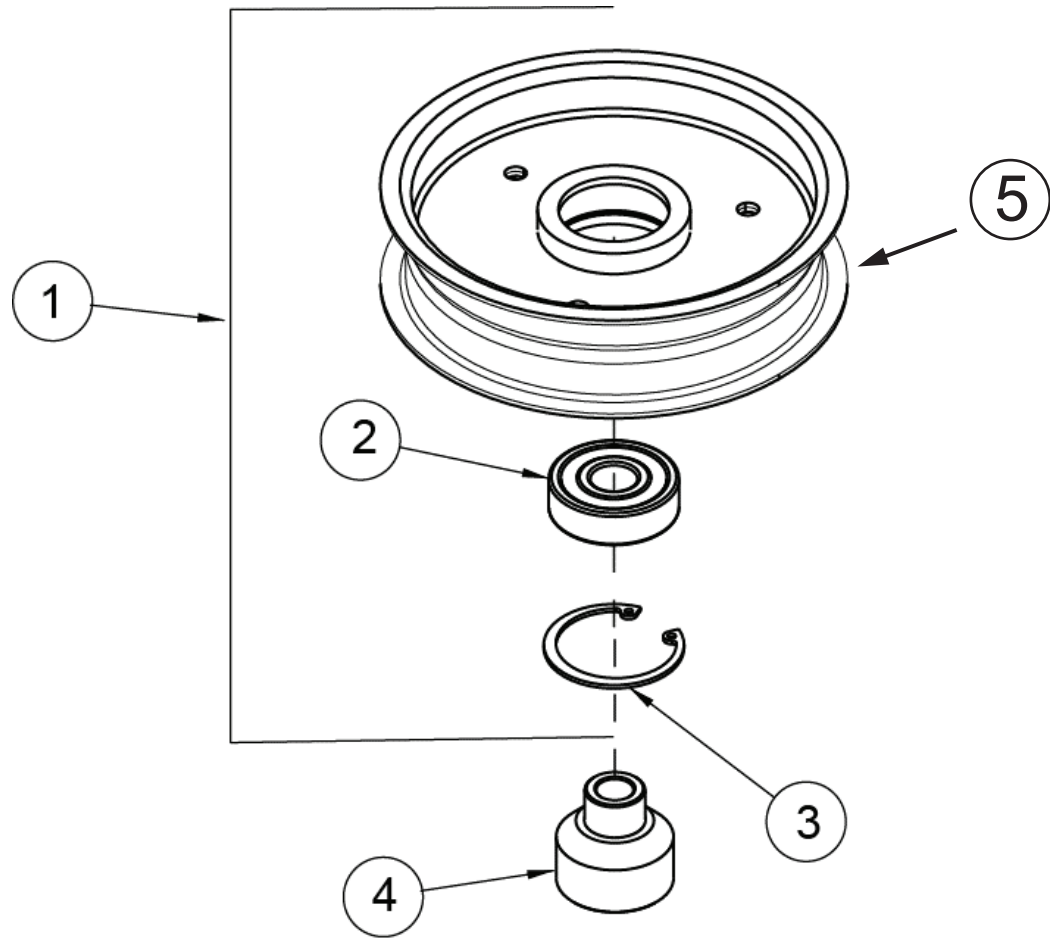


ITEM	PART NO.	DESCRIPTION
1	B6183-10	NUT, NYLOC FLANGE M10
2	632033	WLD, DECK IDLER ARM
3	B893.1-40	SNAP RING 40
4	462072	ASM, IDLER PULLEY
5	633015	STEPPED SPACER
6	B276-6203RS	BEARING 6203-2RS
7	5201077	BUSHING
8	B5782-1080	BOLT M10 X 80
9	463220	SPACER, IDLER PULLEY
10	B6177-10	NUT, FLANGED M10
11	B6183-12	NUT, NYLOC FLANGE M12
12	633393	SPACER, FRAME-PLATED
13	B801-1075	BOLT, CARRIAGE M10 X 75
14	B6172-12	NUT, JAM M12
15	B5787-1260	SCREW, HH FLANGE M12 X 60
16	REF ONLY	S/B 462072 ASM, IDLER PULLEY

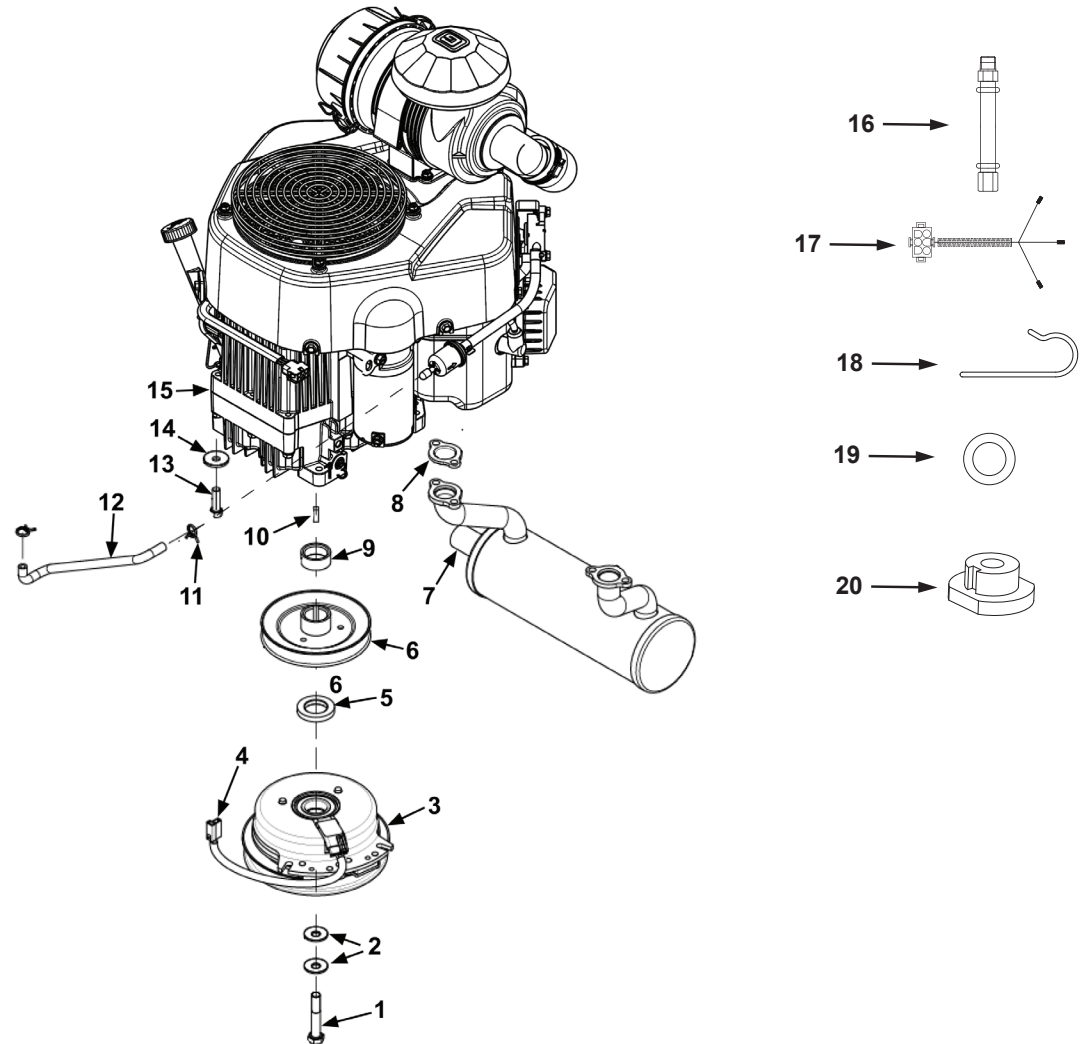


ITEM	PART NO.	DESCRIPTION
1	363350	BEARING - BLADE SPINDLE
2	583111	SPINDLE HOUSING
3	583112	SPINDLE SHAFT
4	583113	BEARING SPACER TUBE

# DECK IDLER ASSEMBLY



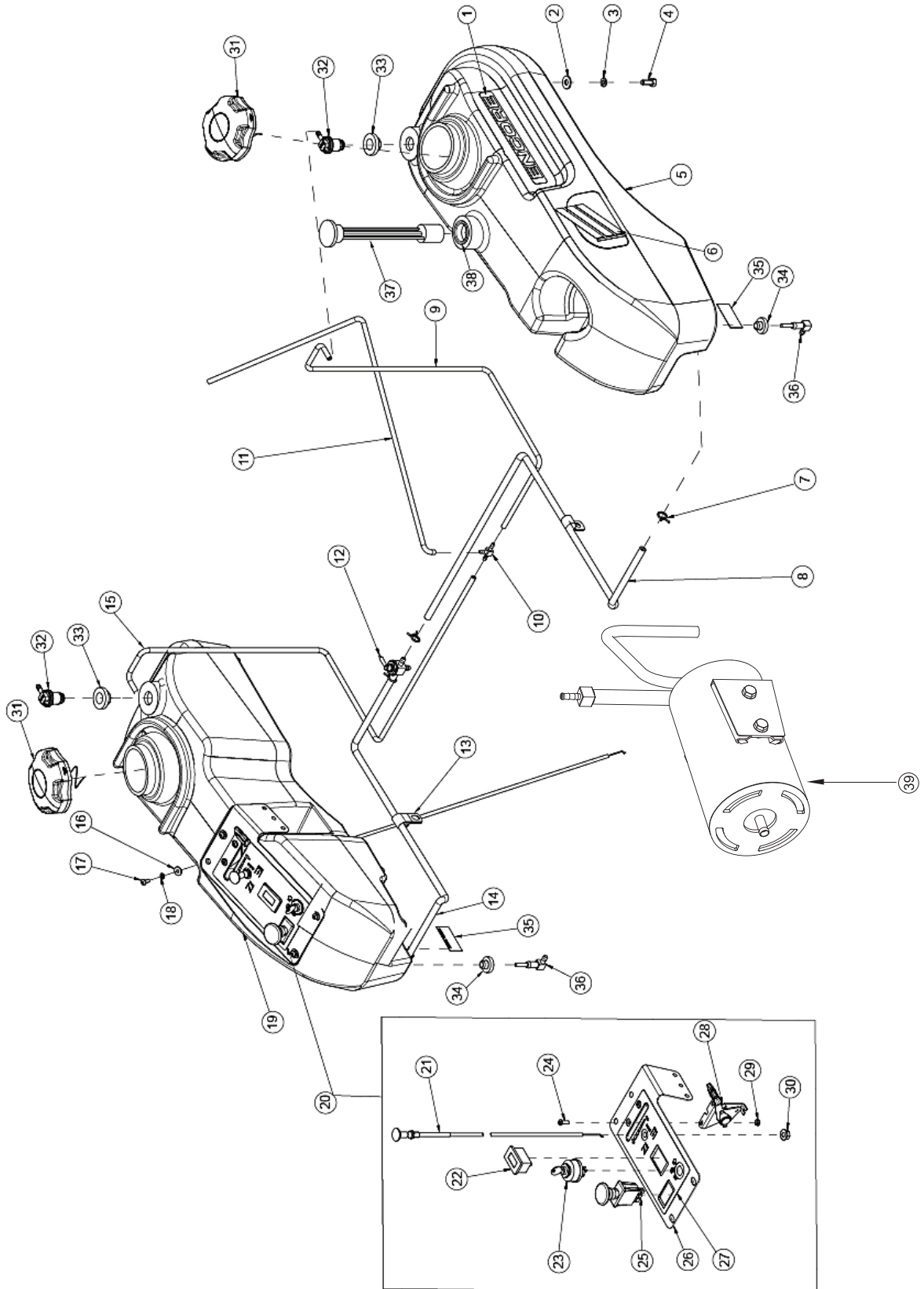
ITEM	PART NO.	DESCRIPTION
1	542138	IDLER, FLAT 150MM W/BRG & SNAP RING
2	B276-6303RS	BEARING 6303-2RS
3	B893.1-47	SNAP RING 47
4	543450	SPACER, IDLER
5	REF ONLY	S/B 542138 WLD, FLAT IDLER 150MM



ITEM	PART NUMBER	DESCRIPTION
1	100535	7/16-20 X 2-1/2 HHCS
2	423069	SPRING DISC. WASHER - 7/16
3	633365	CLUTCH, 175 LB
4	633365-3	CLUTCH ADAPT. HARNESS
5	823248	CLUTCH SPACER 9/32
6	543003	SHEAVE, PUMP DRIVE
7	5002268N	MUFFLER
8	483098	MUFFLER GASKET - 19,21,23,25 KAW
9	633038	SPACER, ENGINE
10	107258	1/4 X 1/4 X 3/4 MACH KEY
11	QB673-12	CLAMP, FUEL LINE 1/4 ID
12	633099	HOSE, FUEL 1/4 X 14"
13	5002494	BOLT, 3/8-16 X 1-1/8 HWH THD FRMG
14	B1972-A20-1	SPRING DISC WASHER
15	B5787-1260	SEE ENGINE PARTS MANUAL FOR PARTS
16	5201064	HOSE

17	5208033	HARNESS, 810 JUMPER
18	3601020B	CLAMP, OIL DRAIN
19	B96-8	WASHER-8
20	633365-4	DRIVE, OGURA D

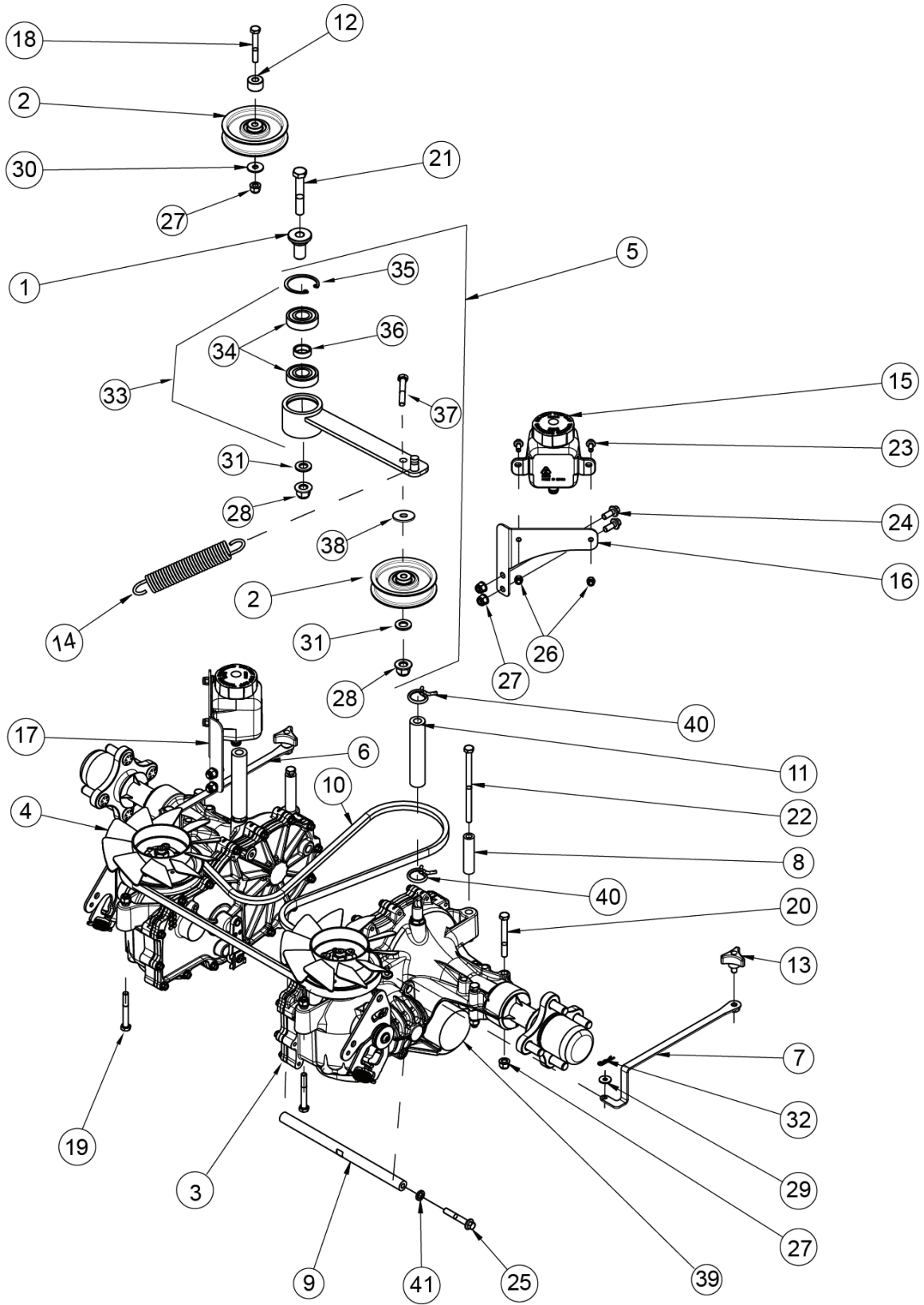
# LONCIN ENGINE FUEL ASSEMBLY



# LONCIN ENGINE FUEL ASSEMBLY



ITEM	PART NUMBER	DESCRIPTION
1	363243	SMALL ENCORE LABEL
2	B97.1-8	WASHER, FLAT-STD 5/16
3	B93-8	WASHER, LOCK -HEAVY 5/16
4	100271	SCREW, HH 5/16-18 X 3/4
5	632038	ASM, BLK FUEL TANK LP - LH
6	363265	SMALL ENCORE LOGO
7	QB673-12	CLAMP, FUEL LINE 1/4 ID
8	633101	HOSE, FUEL 1/4 X 33"
9	633102	HOSE, VENT 3/16 X 29"
10	5204010	TEE, HOSE 3/16 ID
11	353223	HOSE, VENT 3/16 X 22"
12	583050	VALVE, FUEL
13	5238051	CLAMP, DRAIN
14	633100	HOSE, FUEL 1/4 X 26"
15	543362	HOSE, VENT 3/16 ID X 36
16	5204044	BUSHING
17	5204045	SCREW 10-24 UNC X 1/2"
18	B861.1-5	WASHER, LOCK INT TOOTH M5
19	632037	ASM, BLK FUEL TANK LP - RH
20	REF ONLY	GRP, BASIC CONTROL PANEL
21	633104G	CHOKE CABLE
22	453417G	METER, MS HOUR
23	423027	SWITCH, IGNITION
NOT SHOWN	423413	KEY, COVERED IGNITION
24	B818-516	SCREW, MACHINE #10-24 X 5/8
25	4807005	SWITCH, PTO
26	633097G-1	CONSOLE, TANK PROSUMER, BLK
27	633105G	DECAL, CONTROL PANEL
28	2836020B	THROTTLE CABLE
29	B6182-5	NUT, NYLOC M5
30	109008	NUT, WHIZLOCK 3/8-24
31	363413	FUEL CAP - EPA/CARB
32	593370	VENT, REMOTE
33	363412	GROMMET, VENT VALVE
34	533125	VALVE GROMMET - VITON
35	593457	DECAL, EPA TANK DKA
36	583183	ADAPTER, FUEL TANK
37	5204046	GAUGE, FUEL
38	632051	KIT, FUEL GAUGE GROMMET
39	634084	KIT, CANISTER

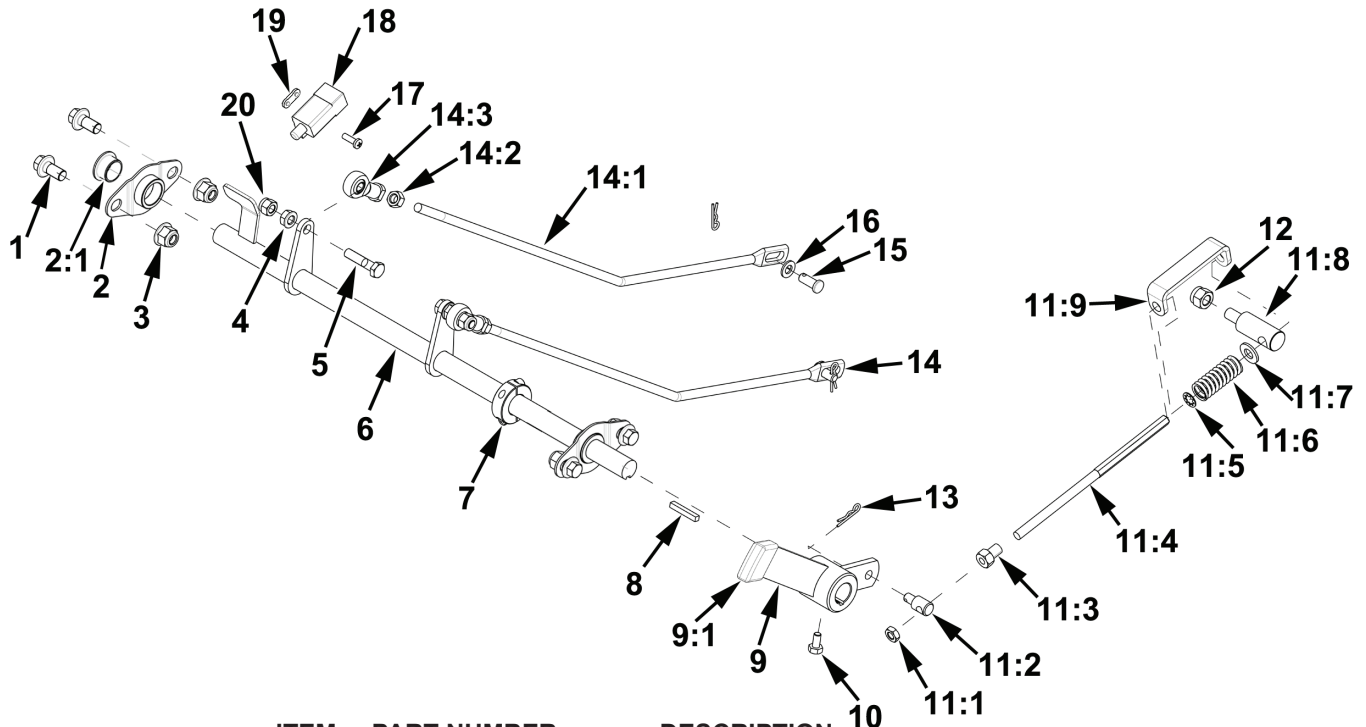


# HYDRO ASSEMBLY



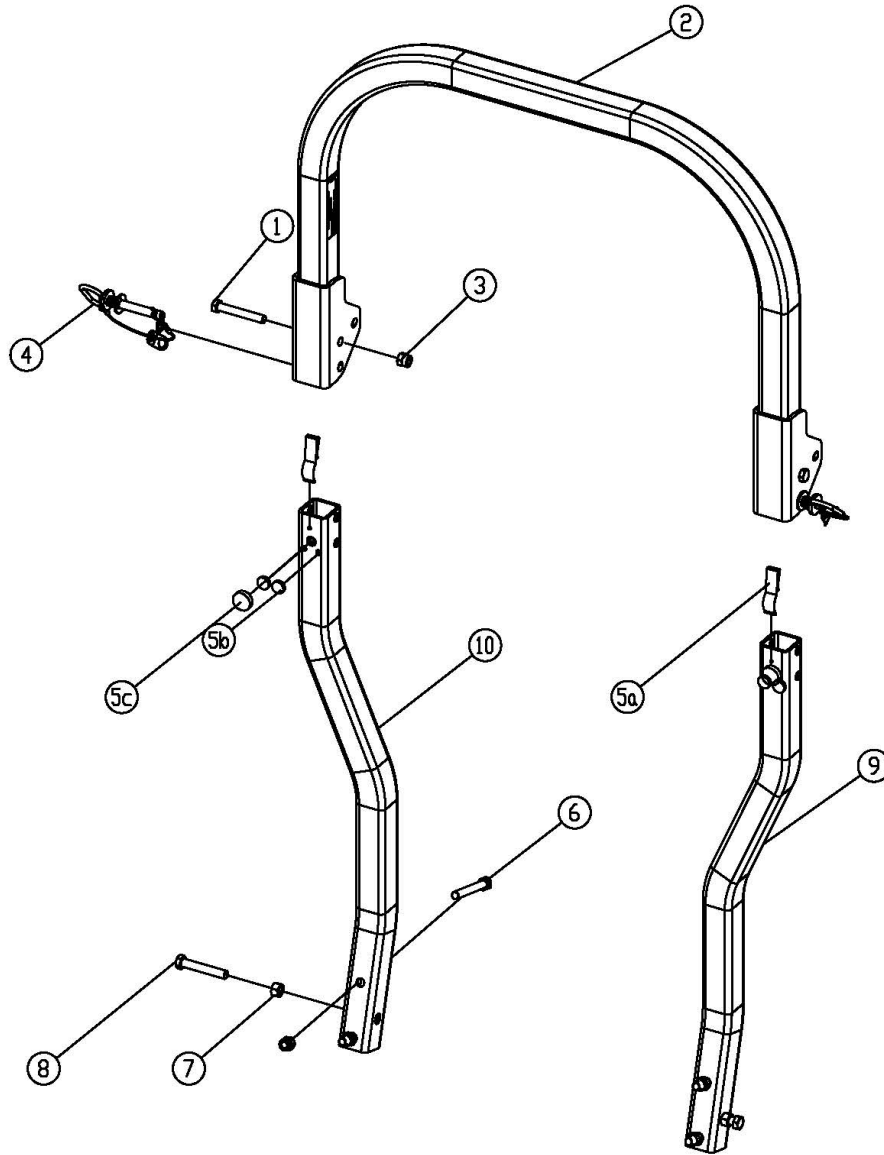
ITEM	PART NO.	DESCRIPTION
1	453313	BUSHING, STEPPED
2	633302	PULLEY, 03.37 X .75 IDLER
3	633122	HYDRO, DB ZT 3200 LH
4	633121	HYDRO DB ZT 3200 RH
5	632017	ASM, HYDRO IDLER W/PULLEY
6	632020	WLD, HYDRO RELEASE RH
7	632021	WLD, HYDRO RELEASE LH
8	633030	HYDRO SPACER
9	633249	ROD, 20MM HYDRO SUPPORT
10	633061	BELT, HYDRO
11	633272	HOSE, 8TOC X 4.5
12	633108	SPACER
13	3302190	KNOB, 3-PRONGED W/STUD
14	543520	EXTENSION SPRING
15	6012021G	TANK, EXPANSION
16	633066-1	BRACKET, HYDRO TANK LH - BLACK
17	633067-1	BRACKET, HYDRO TANK RH - BLACK
18	B5782-855	HEX HD BOLT M8X55
19	B5782-860	HEX HD BOLT M8X60
20	B5782-870	BOLT M8X70
21	B5782-1270	SCREW, HH M12x70
22	B5782-8120	BOLT, M8 X 120
23	B5787-616	SCREW, HH FLANGE M6X16
24	B5787-820	SCREW, HH FLANGE M8X20
25	B5787-1055	BOLT M10 X 55
26	B6182-6	NUT, NYLOC M6
27	B6183-8	NUT, NYLOC M8
28	B6183-12	NUT, NYLOC FLANGE M12
29	B96-6	WASHER, FLAT LARGE M6
30	B96-8	WASHER 8
31	B97.1-12	WASHER 12
32	XSZ56-1-17	HAIR PIN
33	632022	ASM, HYDRO IDLER
34	B276-6203RS	BEARING 6203-2RS
35	B893.1-40	SNAP RING 40
36	5201077	BUSHING
37	B5782-845	BOLT M8X45
38	3303034	WASHER 8MM
39	H-52114	FILTER, SPIN-ON 2.6 X 3.0
40	JB8870-25	CLAMP, 16/25MM HOSE
41	B93-10	SPLIT LOCK WASHERM10

# PARK BRAKE ASSEMBLY



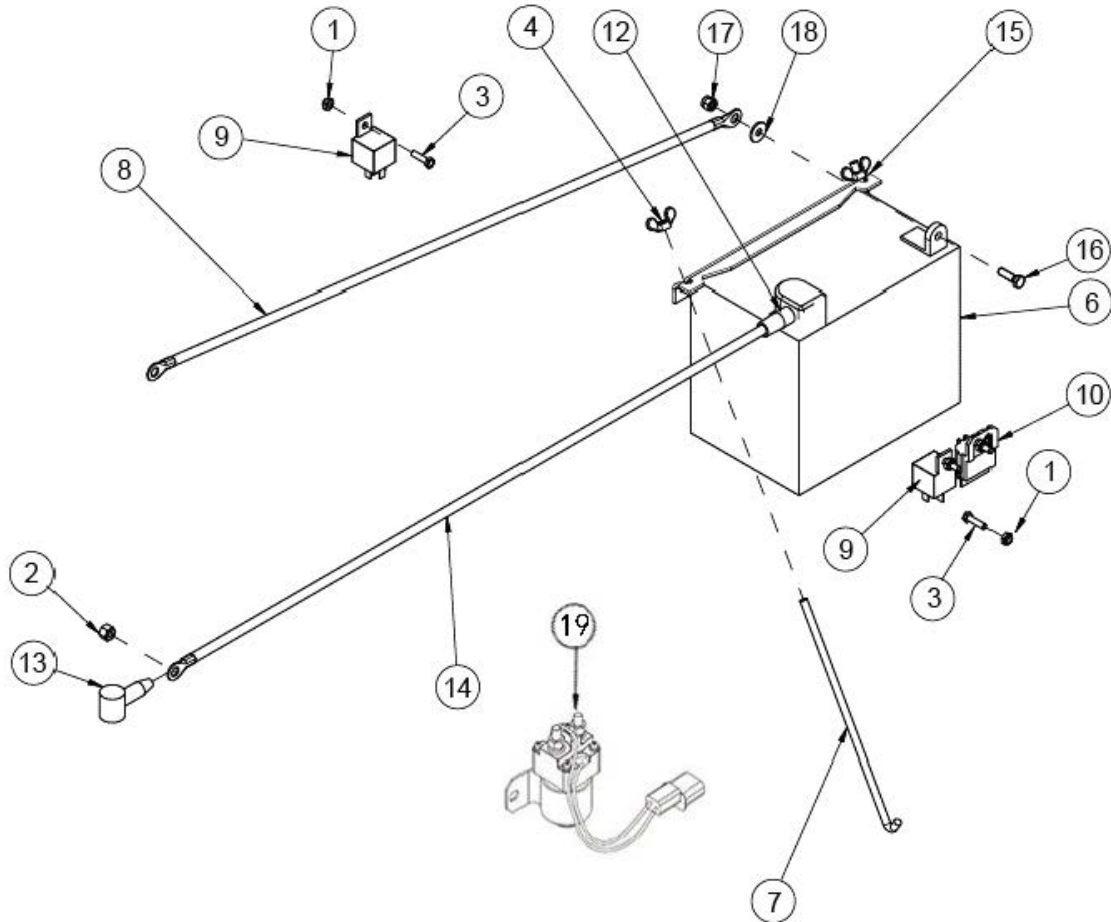
ITEM	PART NUMBER	DESCRIPTION
1	B5787-1020	SCREW, HH FLANGED M10 X 20
2	423140G	BEARING, 2 BOLT 3/4" ID
2:1	423140G-5	BEARING, JFI-1214-08
3	B6183-10	NUT, NYLOC FLANGE M10
4	B6177-8	NUT, WHIZLOCK M8
5	B5783-835	SCREW, M8 X 35
6	632013	SHAFT-BRAKE -BLACK
7	523138	COLLAR, CLAMP 3/4"
8	107264	KEY, MACHINE 3/16 X 3/16 X 1-1/4
9	632015	ASM, BRAKE LEVER
9:1	543300	GRIP, PARK BRAKE
10	100501	SCREW, HH 1/2 X 1/4-28
11	632123	ASM, BRAKE SPRING
11:1	104751	NUT, HEX JAM 5/16-18
11:2	463231	SWIVEL, PARK BRAKE ROD
11:3	593116	NUT, BRAKE SPRING - PLATED
11:4	463089	ROD, SHORT BRAKE
11:5	363177	WASHER, STAR 3/8"
11:6	523024	SPRING, COMPRESSION
11:7	B97.1-10	WASHER, FLAT SAE 3/8"
11:8	633116	SWIVEL, PARK BRAKE
11:9	593114	STRAP, PARK BRAKE - PLATED
12	B6182-10	NUT, NYLOC M10
13	XSZ56-1-17	PIN, HAIR
14	632019	ASM, BRAKE LINK
15	B882B-820	PIN, CLEVIS 8 X 20
16	B97.1-8	WASHER 8
17	B823-516	SCREW, M5 X 16
18	5208015	BRAKE SWITCH (ELECT)
19	5208103	NUT RACK
20	B6182-8	NUT, NYLOC M8

# ROPS ASSEMBLY



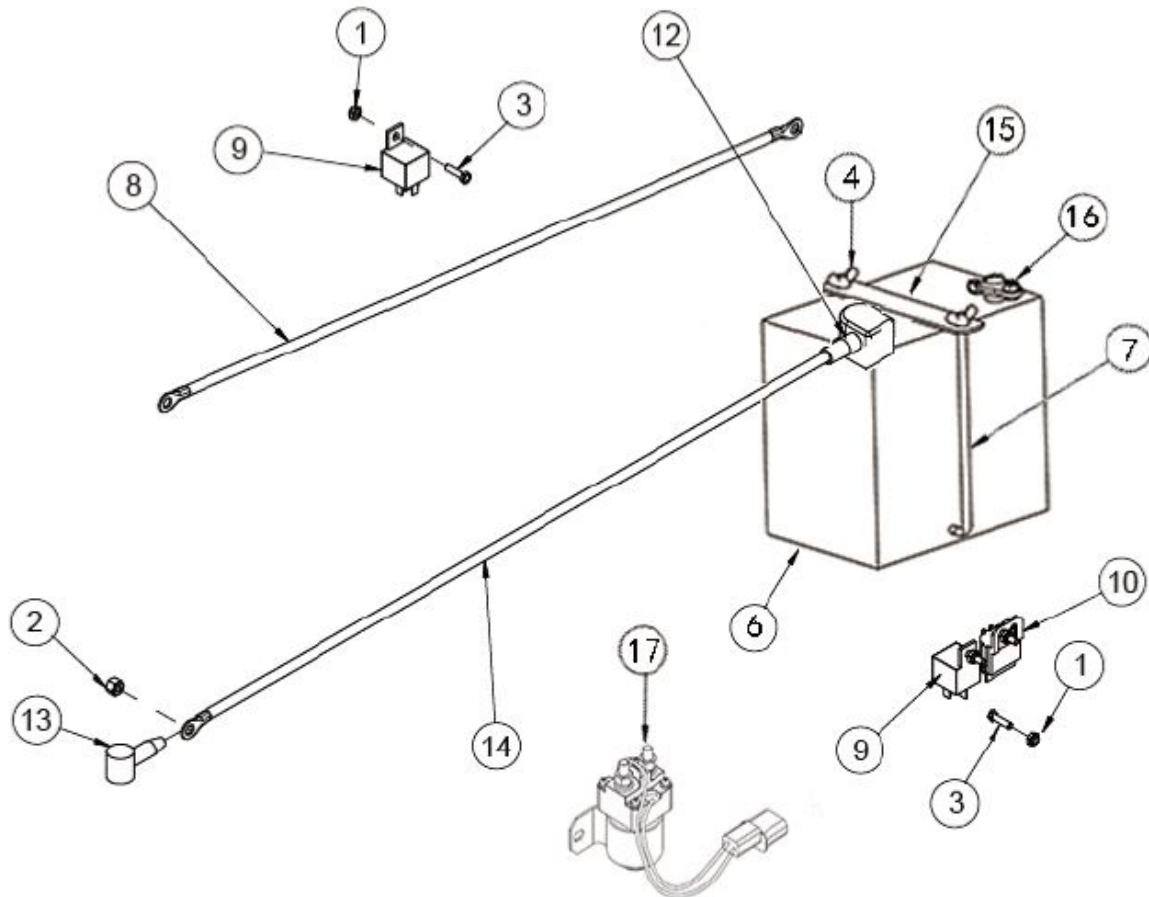
ITEM	PART NO.	DESCRIPTION
1	B5783-1280	SCREW,HH TAP M12X80
2	632031	ROPS ASM
3	B6182-12	NUT,NYLOC M12
4	543262A	PIN,ROPS W/LANYARD
5a	633152	SPRING,DB ROPS
5b	5203907	BUMPER,RUBBER
5c	633422	BUMPER,RUBBER
6	B5783-1290	SCREW,HH TAP M12X90
7	104509	1/2-13 REG HEX NUT
8	100049	SCREW,HH TAP 1/2-13X3
9	REF ONLY	WLD, LH ROPS POST
10	REF ONLY	WLD, RH ROPS POST

# OLD LONCIN ENGINE ELECTRICAL ASSEMBLY



ITEM	PART NO.	DESCRIPTION
1	B6182-4	NUT, NYLOC M4
2	104255	1/4-20 HEX NYLOC NUT
3	B5783-416	SCREW, HH TAP M4 X 16
4	109012	1/4 WING NUT
5	5208008-NOT SHOWN	PLASTIC TIE
6	5208002	BATTERY 12V
7	423172	BATTERY HOLD DOWN ROD - PLATED
8	543330	CABLE, BATTERY NEGATIVE
9	5008010	RELAY
10	583423	TIME DELAY MODULE
11	633098G-NOT SHOWN	HARNESS
12	3312032	POSITIVE POST COVER
13	2808107	COVER
14	4807105	POSITIVE POLE CABLE-BATTERY
15	453419-1	BATTERY HOLD DOWN - BLACK
16	B5783-620	SCREW, HH TAP M6x20
17	B6182-6	NUT, NYLOC M6
18	B96-6	WASHER, FLAT LARGE M6
19	463234	Start-up Relay

# NEW LONCIN ENGINE ELECTRICAL ASSEMBLY



ITEM	PART NO.	DESCRIPTION
1	B6182-4	NUT, NYLOC M4
2	104255	1/4-20 HEX NYLOC NUT
3	B5783-416	SCREW, HH TAP M4 X 16
4	109012	1/4 WING NUT
5	5008008-NOT SHOWN	PLASTIC TIE
6	REF ONLY	BATTERY 12V
7	423172	BATTERY HOLD DOWN ROD - PLATED
8	543330	CABLE, BATTERY NEGATIVE
9	5008010	RELAY
10	583423	TIME DELAY MODULE
11	633098G-NOT SHOWN	HARNESS
12	3312032	POSITIVE POST COVER
13	2808107	COVER
14	4807105	POSITIVE POLE CABLE-BATTERY
15	633421	BATTERY HOLD DOWN - BLACK
16	633424	TERMINAL ADAPTER
17	463234	Start-up Relay



# DECAL ASSEMBLY



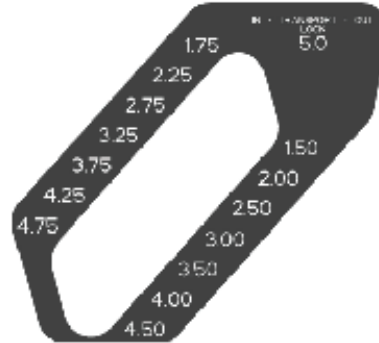
**CAUTION**  
 TO REDUCE THE RISK OF FALTY  
 DO NOT OPERATE MOWER UNLESS  
 THIS GUARD IS IN ITS PROPER PLACE



8008

**PRO**  
**48**

483075



633106



8324

**CAUTION**  
 DO NOT OPERATE WITHOUT  
 GUARD IN PLACE

8303

**PRO**  
**52**

523493



453389



453390



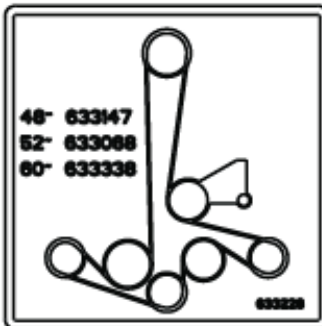
543391

**PRO**  
**60**

543402

**NO STEP**

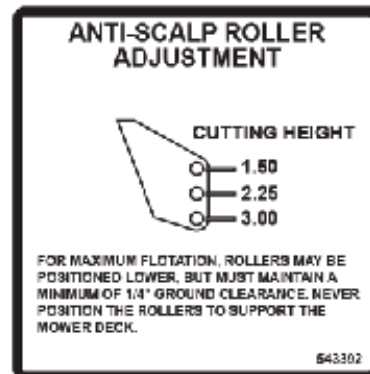
8304



633228

**WARNING**  
 DO NOT OPERATE WITHOUT  
 DISCHARGE DEFLECTOR, ENTIRE  
 GRASS COLLECTION SYSTEM, OR  
 MULCH KIT IN PLACE. DO NOT  
 REMOVE GRASS CATCHER UNTIL  
 BLADES HAVE STOPPED.

8307



543392

**CAUTION**  
 MUFFLER AND SHIELDS  
 MAY EXCEED 150°F

8318



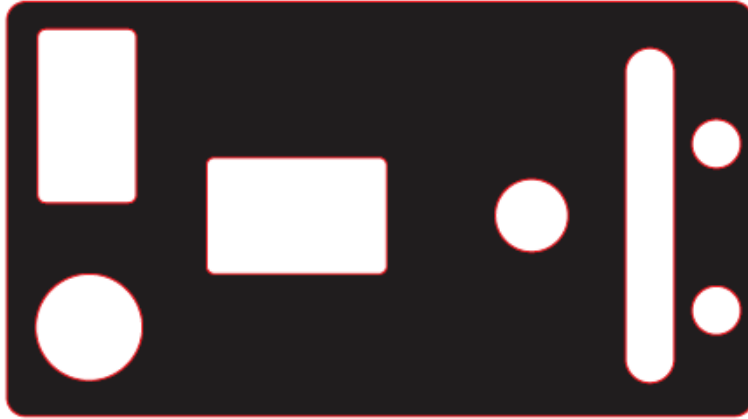
363023

**WARNING**  
 BATTERY CONTAINS SULFURIC ACID. AVOID  
 CONTACT AND ALWAYS SHIELD EYES, FACE AND  
 SKIN FROM BATTERY. CIGARETTES, FLAMES OR  
 SPARKS COULD CAUSE BATTERY TO EXPLODE.  
 DO NOT CHARGE OR USE RECHARGE CABLES  
 WITHOUT PROPER TRAINING. IN EVENT OF AN  
 ACCIDENT FLUSH WITH WATER AND CALL A  
 PHYSICIAN IMMEDIATELY.

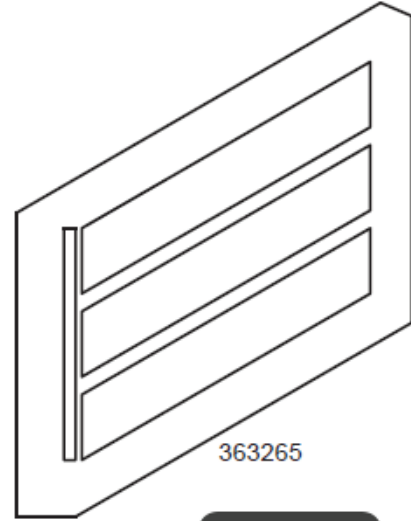
543397



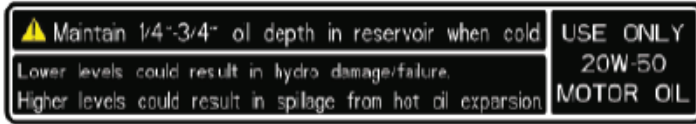
543433



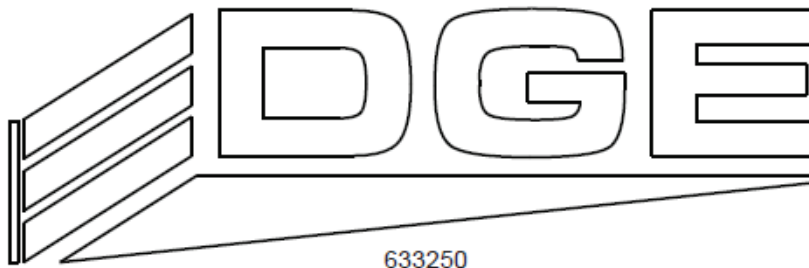
633105



363265



543396



633250



633306



543401



363243



543504







# ENCORE