

# PARTS LIST

## EH270D-S

### CONTENTS

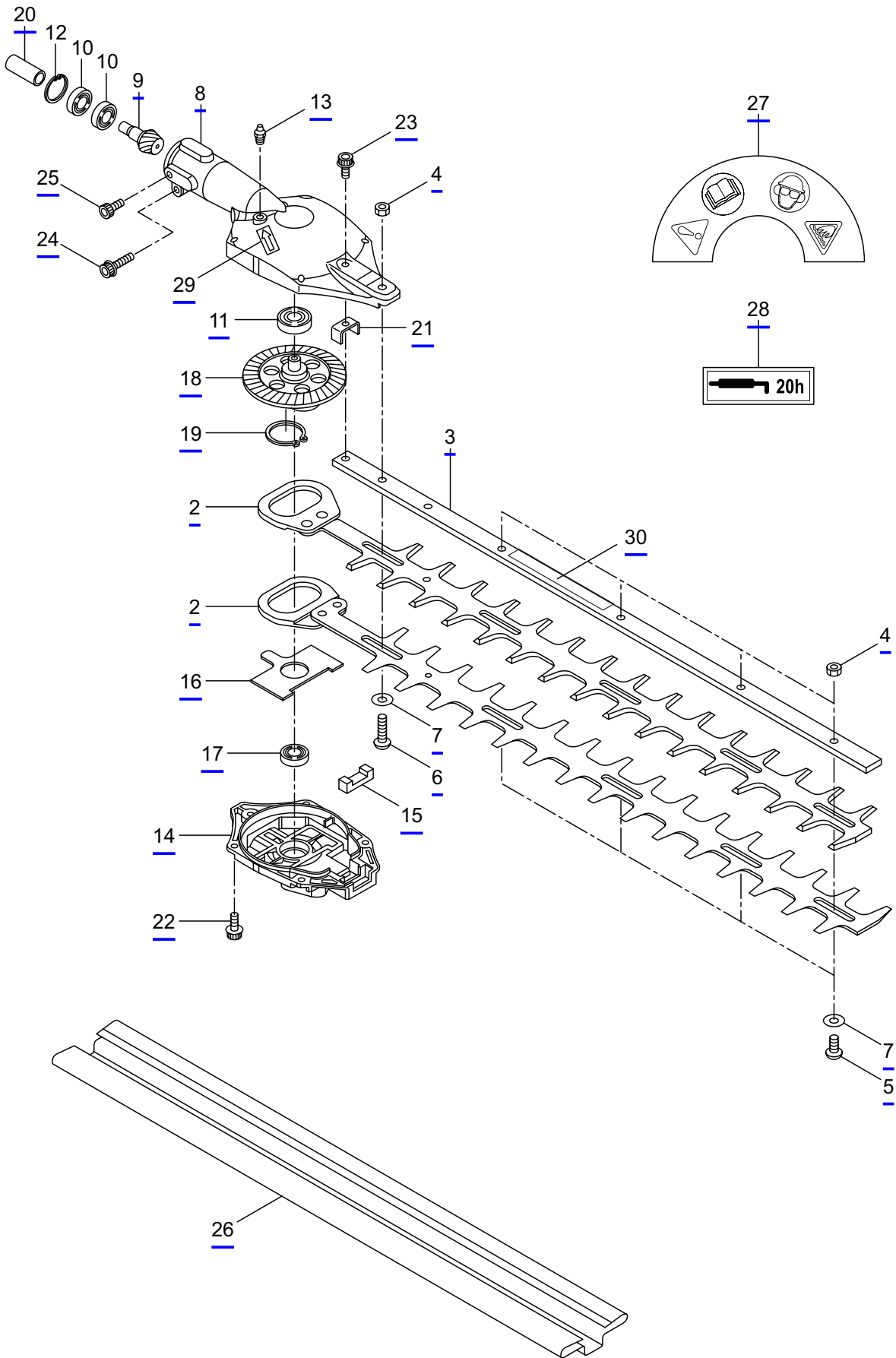
1. BLADE .....	1 ~ 2
2. CLUTCHCASE, ACCESSORIES .....	3 ~ 4
3. ENGINE .....	5 ~ 8
4. CARBURETOR, FUEL TANK .....	9 ~ 12

2019. 12.



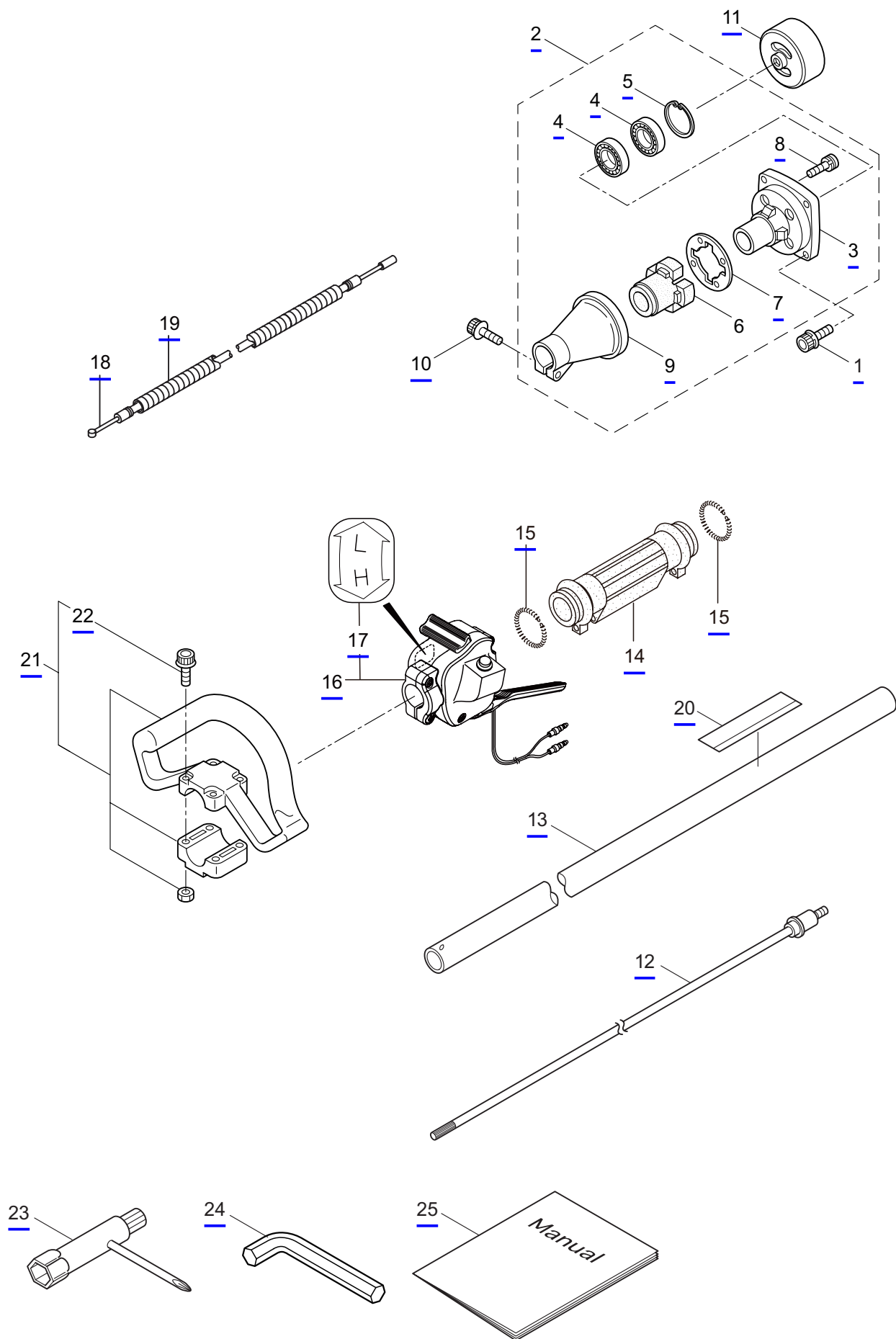
P/N 524926

1. EH270D-S  
BLADE



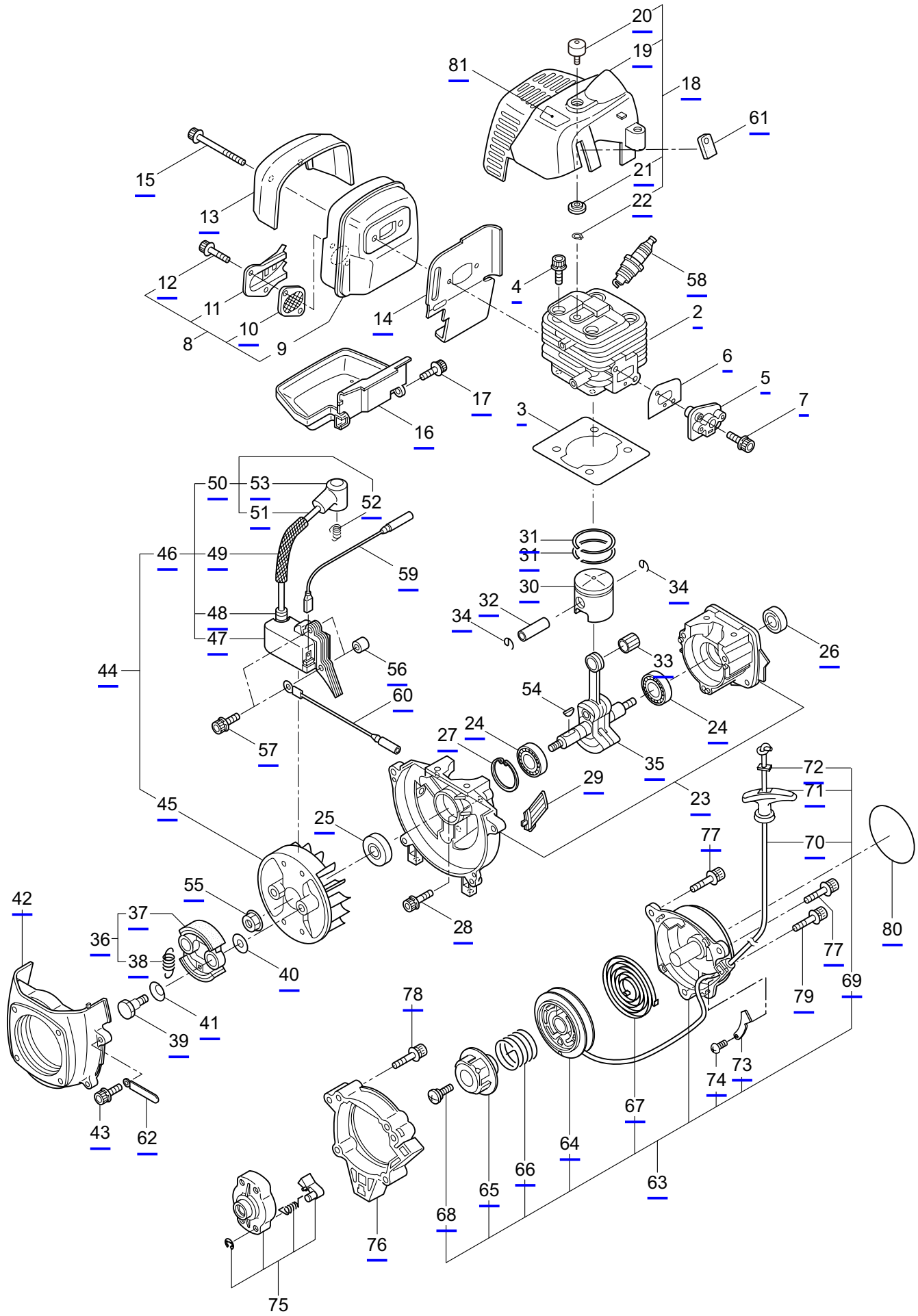
Ref. No.	Part No.	Part Name	Q'ty	Remarks
1-1	<a href="#">364865</a>	<a href="#">EH270D-S</a>	1	
1-2	<a href="#">423321</a>	Blade	2	
1-3	<a href="#">423322</a>	Guide Plate	1	
1-4	<a href="#">580764</a>	U-Nut	5	M6
1-5	<a href="#">631765</a>	Screw	4	L17
1-6	<a href="#">407328</a>	Screw	1	L26
1-7	<a href="#">991913</a>	Washer	5	
1-8	<a href="#">423323</a>	Upper Case	1	
1-9	<a href="#">423324</a>	Pinion	1	
1-10	<a href="#">423325</a>	Bearing	2	#6900UU
1-11	<a href="#">407313</a>	Bearing	1	
1-12	<a href="#">631772</a>	Snap Ring	1	RTW22
1-13	<a href="#">580766</a>	Grease Nipple	1	M6
1-14	<a href="#">423326</a>	Lower Case	1	
1-15	<a href="#">407332</a>	Felt	1	
1-16	<a href="#">407340</a>	Plate	1	
1-17	<a href="#">638464</a>	Bearing	1	#608Z
1-18	<a href="#">423327</a>	Crank Comp	1	
1-19	<a href="#">631759</a>	Snap Ring	1	STW28
1-20	<a href="#">631779</a>	Joint	1	
1-21	<a href="#">407333</a>	Plate	1	
1-22	<a href="#">407331</a>	Bolt	5	M5x14
1-23	<a href="#">423328</a>	Cap Screw	1	M5x16
1-24	<a href="#">631778</a>	Cap Screw	1	M5x25
1-25	<a href="#">423329</a>	Cap Screw	1	M5x12
1-26	<a href="#">423330</a>	Cover of Blade	1	
1-27	<a href="#">423331</a>	Label	1	
1-28	<a href="#">423332</a>	Label	1	
1-29	<a href="#">423333</a>	Label	1	
1-30	<a href="#">235595</a>	Label	1	

## 2. EH270D-S CLUTCHCASE, ACCESSORIES



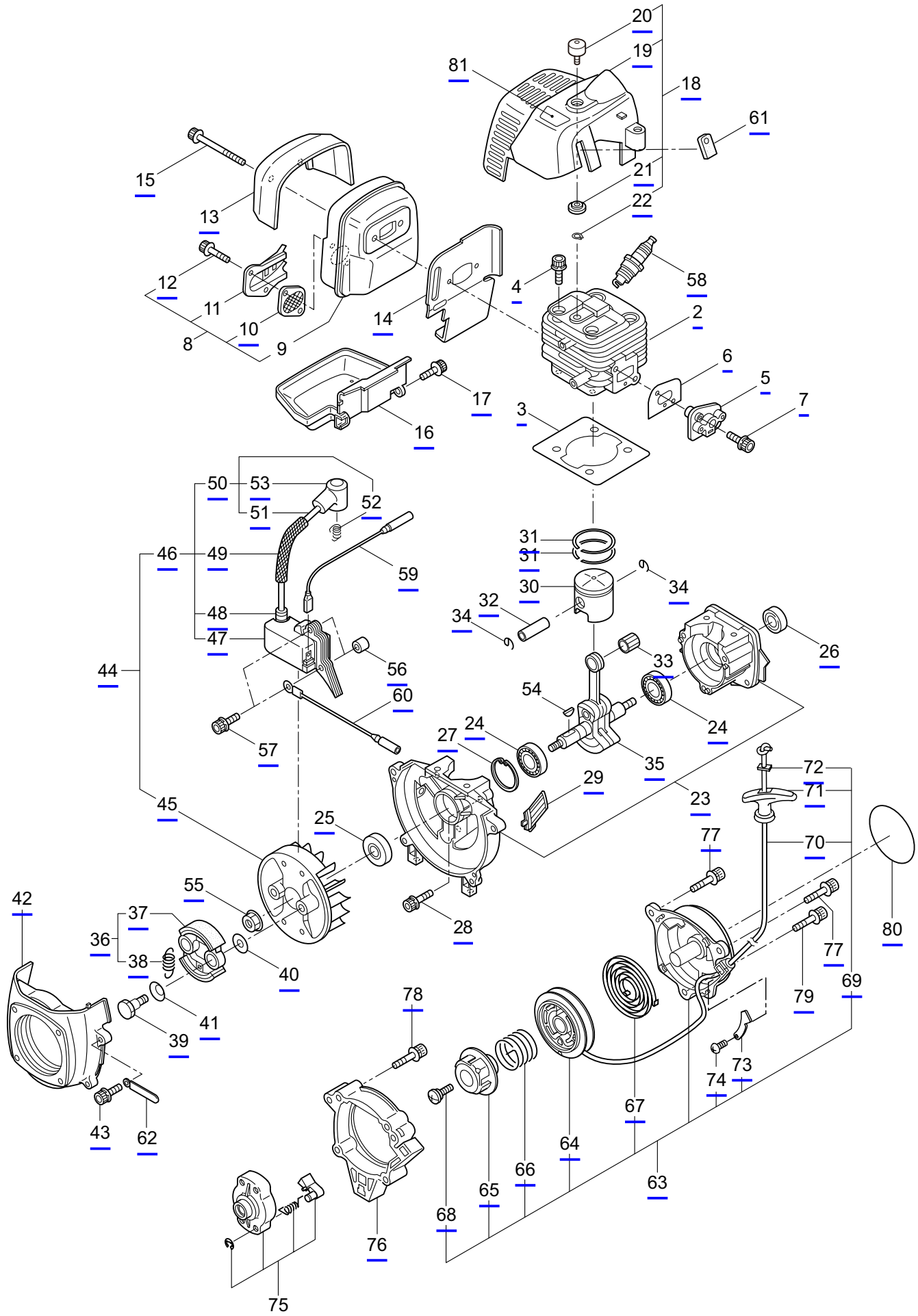
Ref. No.	Part No.	Part Name	Q'ty	Remarks
2-1	<a href="#">261250</a>	Cap Screw	4	M5x20
2-2	<a href="#">215512</a>	Clutch Case Ass'y	1	Incl.3-9
2-3	<a href="#">214592</a>	Bearing Case	1	
2-4	<a href="#">214161</a>	Bearing	2	#6000ZZ
2-5	<a href="#">054676</a>	Snap Ring	1	#26
2-6	<a href="#">560309</a>	Buffer	1	
2-7	<a href="#">214163</a>	Washer	1	
2-8	<a href="#">092033</a>	Screw	4	M5x15
2-9	<a href="#">214593</a>	Driveshaft Tube Adapter	1	
2-10	<a href="#">261246</a>	Cap Screw	1	M5x25
2-11	<a href="#">054677</a>	Clutch Drum	1	
2-12	<a href="#">235494</a>	Driveshaft	1	
2-13	<a href="#">242653</a>	Driveshaft Tube Ass'y	1	
2-14	<a href="#">211736</a>	Shaft Grip	1	
2-15	<a href="#">211737</a>	Band	2	
2-16	<a href="#">242050</a>	Throttle Trigger Ass'y	1	Incl.17
2-17	<a href="#">237241</a>	Label	1	
2-18	<a href="#">235752</a>	Throttle Cable	1	
2-19	<a href="#">213548</a>	Plastic Tube	1	#10x200L
2-20	<a href="#">242153</a>	Label	1	<a href="#">EH270D-S</a>
2-21	<a href="#">227816</a>	Loop Handle Ass'y	1	Incl.22
2-22	<a href="#">215608</a>	Cap Screw	4	M5x30x16
2-23	<a href="#">210418</a>	Box Spanner	1	13x19x(+)
2-24	<a href="#">219432</a>	Wrench	1	4mm
2-25	<a href="#">242149</a>	Instruction Manual	1	EH230D/270D-S

### 3. EH270D-S ENGINE



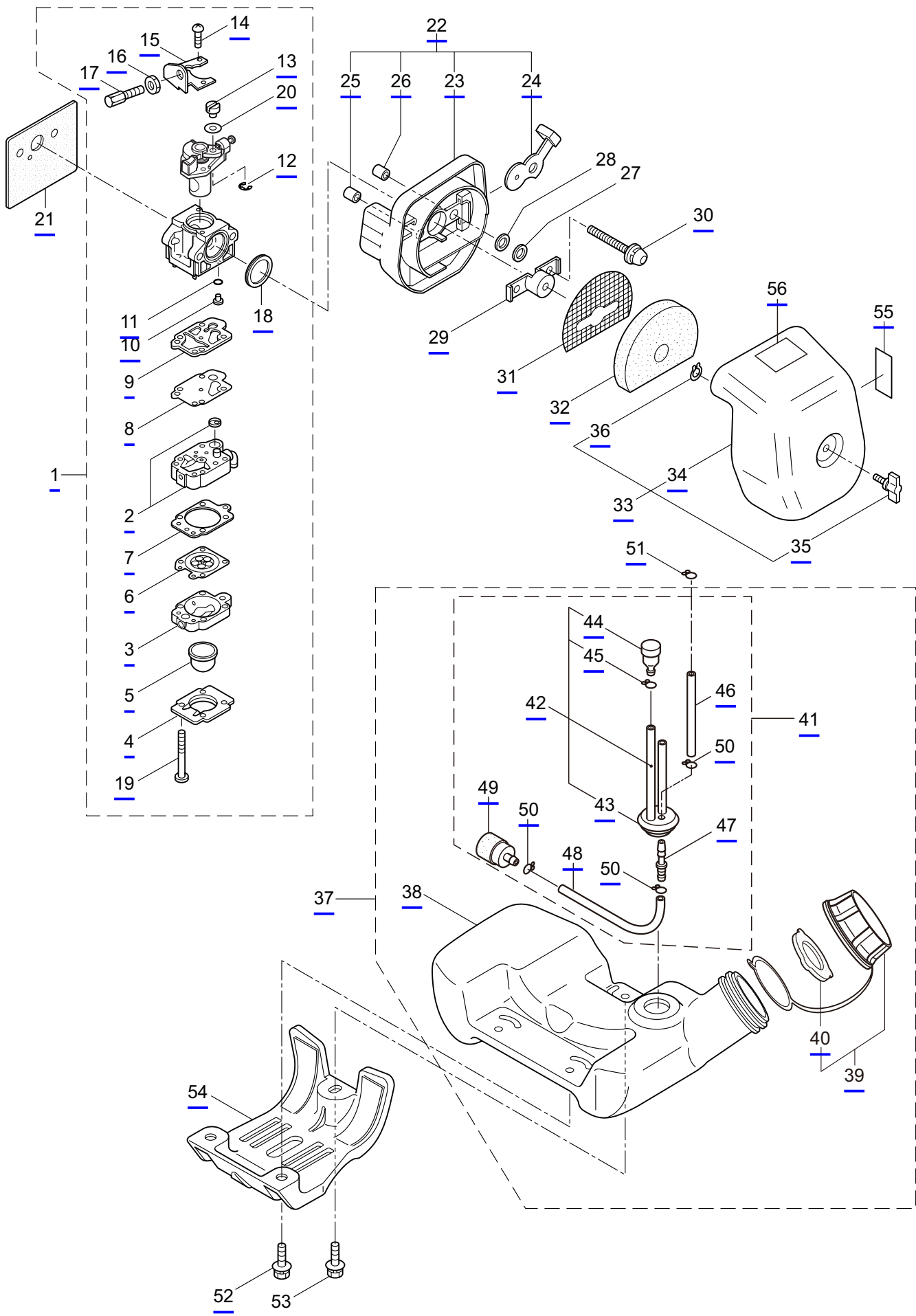
Ref. No.	Part No.	Part Name	Q'ty	Remarks
3-1	<a href="#">875376</a>	Engine	1	CE260/87
3-2	<a href="#">283734</a>	Cylinder	1	
3-3	<a href="#">283783</a>	Gasket	1	
3-4	<a href="#">261250</a>	Cap Screw	4	M5x20
3-5	<a href="#">269144</a>	Insulator	1	New gasket required
3-6	<a href="#">267049</a>	Gasket	1	
3-7	<a href="#">265924</a>	Cap Screw	2	M5x25
3-8	<a href="#">282208</a>	Muffler Ass'y	1	Incl.9-12
3-9	<a href="#">282209</a>	Muffler Comp	1	
3-10	<a href="#">267056</a>	Spark Arrester	1	
3-11	<a href="#">268171</a>	Muffler Tail	1	
3-12	<a href="#">265107</a>	Cap Screw	2	M4x10
3-13	<a href="#">284071</a>	Holder	1	
3-14	<a href="#">283940</a>	Gasket	1	
3-15	<a href="#">266402</a>	Cap Screw	2	M5x55
3-16	<a href="#">281435</a>	Under Cover	1	
3-17	<a href="#">267191</a>	Cap Screw	1	M5x16
3-18	<a href="#">286707</a>	Top Cover Ass'y	1	Incl.19-22
3-19	<a href="#">281434</a>	Top Cover	1	
3-20	<a href="#">286300</a>	Knob	1	
3-21	<a href="#">261020</a>	Spacer	1	
3-22	<a href="#">261734</a>	Snap Ring	1	#5
3-23	<a href="#">289582</a>	Crankcase	1	
3-24	<a href="#">280488</a>	Bearing	2	PPL 6001
3-25	<a href="#">261492</a>	Oil Seal	1	ISCD12287
3-26	<a href="#">261386</a>	Oil Seal	1	ISCD12227
3-27	<a href="#">055185</a>	Snap Ring	1	H28
3-28	<a href="#">261612</a>	Cap Screw	3	M5x30
3-29	<a href="#">281442</a>	Screen	1	
3-30	<a href="#">272809</a>	Piston	1	
3-31	<a href="#">261496</a>	Piston Ring	2	(2)Required
3-32	<a href="#">261497</a>	Piston Pin	1	
3-33	<a href="#">261037</a>	Bearing,Needle	1	KBK8x11x11.8x1
3-34	<a href="#">261576</a>	Clip,Piston	2	
3-35	<a href="#">265197</a>	Crankshaft/Conn.Rod Ass'y	1	
3-36	<a href="#">267327</a>	Clutch Ass'y	1	Incl.37,38
3-37	<a href="#">267342</a>	Clutch Shoe	2	(2)required
3-38	<a href="#">267345</a>	Spring,Clutch	1	
3-39	<a href="#">264505</a>	Bolt	2	
3-40	<a href="#">261189</a>	Washer	2	6x16.5xt1.2
3-41	<a href="#">261777</a>	Wave Washer	2	
3-42	<a href="#">281433</a>	Fan Cover	1	
3-43	<a href="#">261250</a>	Cap Screw	4	M5x20
3-44	<a href="#">289923</a>	Magneto Ass'y	1	Incl.45-53
3-45	<a href="#">268253</a>	Rotor/Fan	1	

### 3. EH270D-S ENGINE



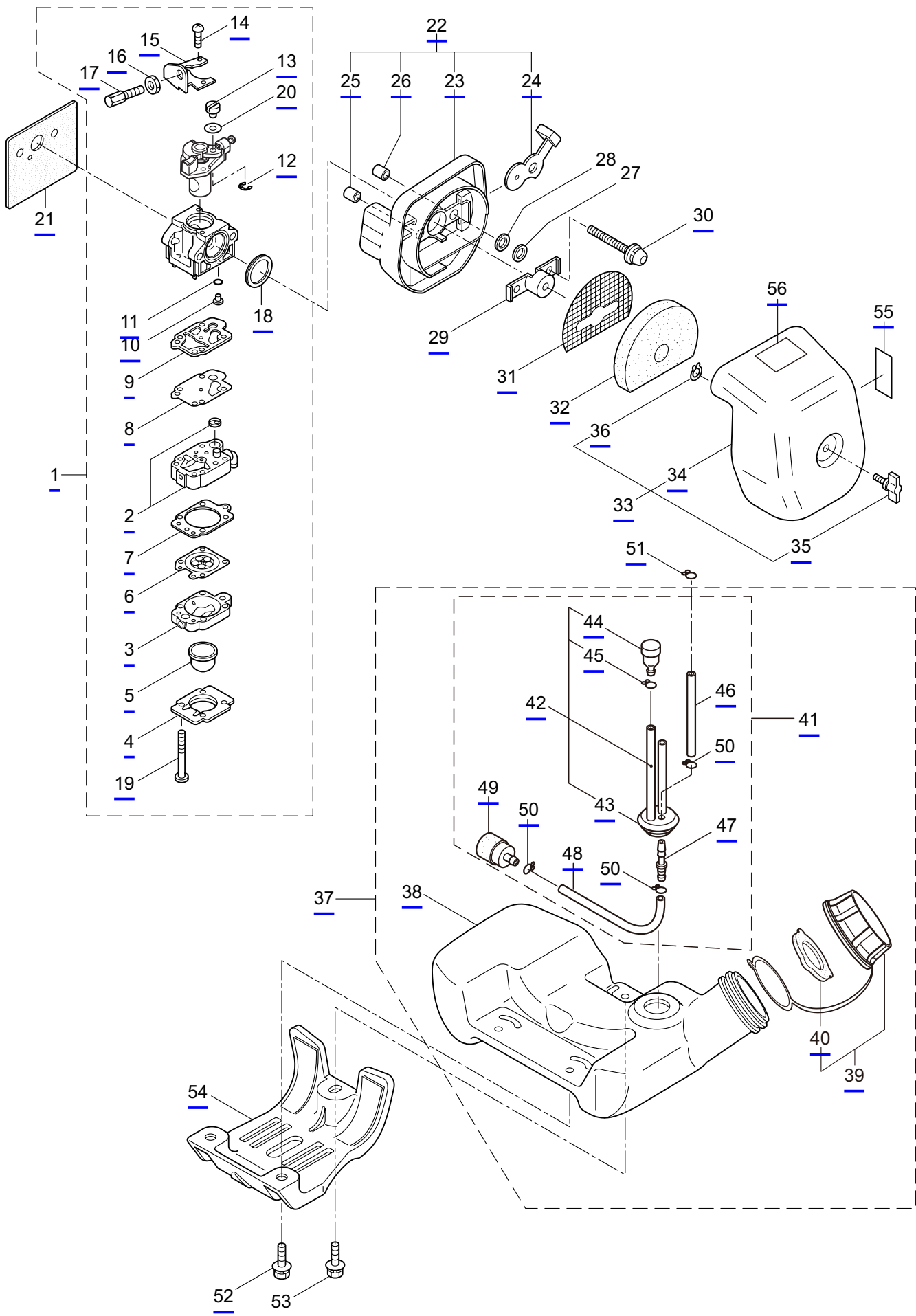
Ref. No.	Part No.	Part Name	Q'ty	Remarks
3-46	<a href="#">289924</a>	Ignition Coil Ass'y	1	Incl.47-53
3-47	<a href="#">272082</a>	Coil	1	
3-48	<a href="#">261072</a>	Cap	1	
3-49	<a href="#">283731</a>	Tube	1	
3-50	<a href="#">283732</a>	Spark Plug Wire Ass'y	1	Incl.51-53
3-51	<a href="#">283733</a>	Spark Plug Wire	1	
3-52	<a href="#">261075</a>	Connector	1	
3-53	<a href="#">261074</a>	Plug Boot	1	
3-54	<a href="#">261076</a>	Woodruff Key	1	3x10
3-55	<a href="#">261417</a>	Nut,Rotor	1	M8
3-56	<a href="#">280381</a>	Spacer	2	
3-57	<a href="#">261256</a>	Cap Screw	2	M4x25
3-58	<a href="#">285982</a>	Spark Plug	1	NGK <a href="#">BPM8Y</a>
3-59	<a href="#">261772</a>	Lead	1	
3-60	<a href="#">268044</a>	Lead	1	
3-61	<a href="#">269189</a>	Grommet	1	
3-62	<a href="#">264588</a>	Clamp	1	
3-63	<a href="#">273254</a>	Starter Ass'y	1	Incl.64-74
3-64	<a href="#">283504</a>	Reel	1	
3-65	<a href="#">283505</a>	Cam Plate	1	
3-66	<a href="#">283506</a>	Spring	1	
3-67	<a href="#">261721</a>	Spiral Spring	1	
3-68	<a href="#">267213</a>	Screw	1	
3-69	<a href="#">273261</a>	Rope Ass'y	1	Incl.70-72
3-70	<a href="#">283579</a>	Stater Rope	1	
3-71	<a href="#">287651</a>	Starter Grip	1	
3-72	<a href="#">283511</a>	Rope Stopper	1	
3-73	<a href="#">277328</a>	Cover	1	
3-74	<a href="#">273037</a>	Screw	1	
3-75	<a href="#">283575</a>	Starter Pawl Ass'y	1	
3-76	<a href="#">284698</a>	Adapter Ass'y	1	
3-77	<a href="#">283391</a>	Cap Screw	2	M4x20
3-78	<a href="#">265726</a>	Cap Screw	4	M4x16
3-79	<a href="#">282096</a>	Cap Screw	1	M4x16WSW
3-80	<a href="#">246562</a>	Label	1	CER260
3-81	<a href="#">246678</a>	Label	1	<a href="#">EH270D-S</a>

4. EH270D-S  
CARBURETOR, FUEL TANK



Ref. No.	Part No.	Part Name	Q'ty	Remarks
4-1	<a href="#">283898</a>	Carburetor Ass'y	1	Incl.2-20 New gasket required
4-2	<a href="#">264155</a>	Pump Body	1	
4-3	<a href="#">262991</a>	Purge Body	1	
4-4	<a href="#">262992</a>	Cover Plate	1	
4-5	<a href="#">261874</a>	Primer Bulb	1	
4-6	<a href="#">283905</a>	Diaphragm, Meterring	1	
4-7	<a href="#">262993</a>	Gasket	1	
4-8	<a href="#">262994</a>	Diaphragm,Fuel Pump	1	
4-9	<a href="#">282576</a>	Gasket	1	
4-10	<a href="#">281487</a>	Main Jet	1	#37
4-11	<a href="#">261871</a>	O-Ring	1	
4-12	<a href="#">261876</a>	E-Ring	1	
4-13	<a href="#">261658</a>	Swivel	1	
4-14	<a href="#">261875</a>	Screw	2	
4-15	<a href="#">264677</a>	Bracket	1	
4-16	<a href="#">261878</a>	Nut	1	
4-17	<a href="#">263994</a>	Adapter	1	
4-18	<a href="#">261657</a>	Packing	1	
4-19	<a href="#">262996</a>	Screw	4	
4-20	<a href="#">264678</a>	Washer	1	
4-21	<a href="#">269762</a>	Gasket	1	
4-22	<a href="#">268055</a>	Air Filter Case Ass'y	1	Incl.23-26
4-23	<a href="#">268056</a>	Air Filter Case	1	
4-24	<a href="#">268057</a>	Valve	1	
4-25	<a href="#">268157</a>	Sleeve	1	5.5x7.1x6L
4-26	<a href="#">268412</a>	Sleeve	1	5.2x7.1x6.4L
4-27	<a href="#">263345</a>	Packing	1	7.2x11xt1.3
4-28	<a href="#">263942</a>	Washer	1	7.2x12xt0.15
4-29	<a href="#">263815</a>	Stay	1	
4-30	<a href="#">264016</a>	Cap Screw	2	M5x60
4-31	<a href="#">265026</a>	Screen	1	
4-32	<a href="#">265027</a>	Foam Element	1	
4-33	<a href="#">268058</a>	Air Filter Cover Ass'y	1	Incl.34-36
4-34	<a href="#">268059</a>	Air Filter Cover	1	
4-35	<a href="#">281438</a>	Knob	1	
4-36	<a href="#">261734</a>	Snap Ring	1	#5
4-37	<a href="#">246592</a>	Fuel Tank Ass'y	1	Incl.38-50
4-38	<a href="#">284820</a>	Fuel Tank	1	
4-39	<a href="#">289046</a>	Tank Cap Ass'y	1	Incl.40
4-40	<a href="#">287058</a>	Gasket	1	
4-41	<a href="#">289035</a>	Fuel Pipe Pick-up Ass'y	1	Incl.42-50
4-42	<a href="#">289036</a>	Fuel Pipe Ass'y	1	Incl.43-45
4-43	<a href="#">268065</a>	Grommet	1	
4-44	<a href="#">261590</a>	Breather	1	
4-45	<a href="#">261117</a>	Clip	1	

#### 4. EH270D-S CARBURETOR, FUEL TANK



Ref. No.	Part No.	Part Name	Q'ty	Remarks
4-46	<a href="#">289028</a>	Pipe A	1	3x5x53L
4-47	<a href="#">288921</a>	Joint	1	
4-48	<a href="#">289033</a>	Pipe	1	3x5x100L
4-49	<a href="#">277887</a>	Filter Ass'y	1	
4-50	<a href="#">261117</a>	Clip	3	
4-51	<a href="#">261117</a>	Clip	1	
4-52	<a href="#">281714</a>	Cap Screw	2	M5x20
4-53	<a href="#">281715</a>	Cap Screw	1	M5x20
4-54	<a href="#">281441</a>	Stand	1	
4-55	<a href="#">261352</a>	Label	1	Choke
4-56	<a href="#">285188</a>	Label	1	