



RAGE

COMPACT STANDON

PARTS MANUAL

**ER32FS600VL
ER32FS600VLCA
ER36FS600VL
ER36FS600VLCA**



ENCORE MANUFACTURING
A DIVISION OF WORL DLAWN POWER EQUIPMENT, INC.

ENCOREEQUIPMENT.COM

401 N. COMMERCE STREET

BEATRICE, NE 68310

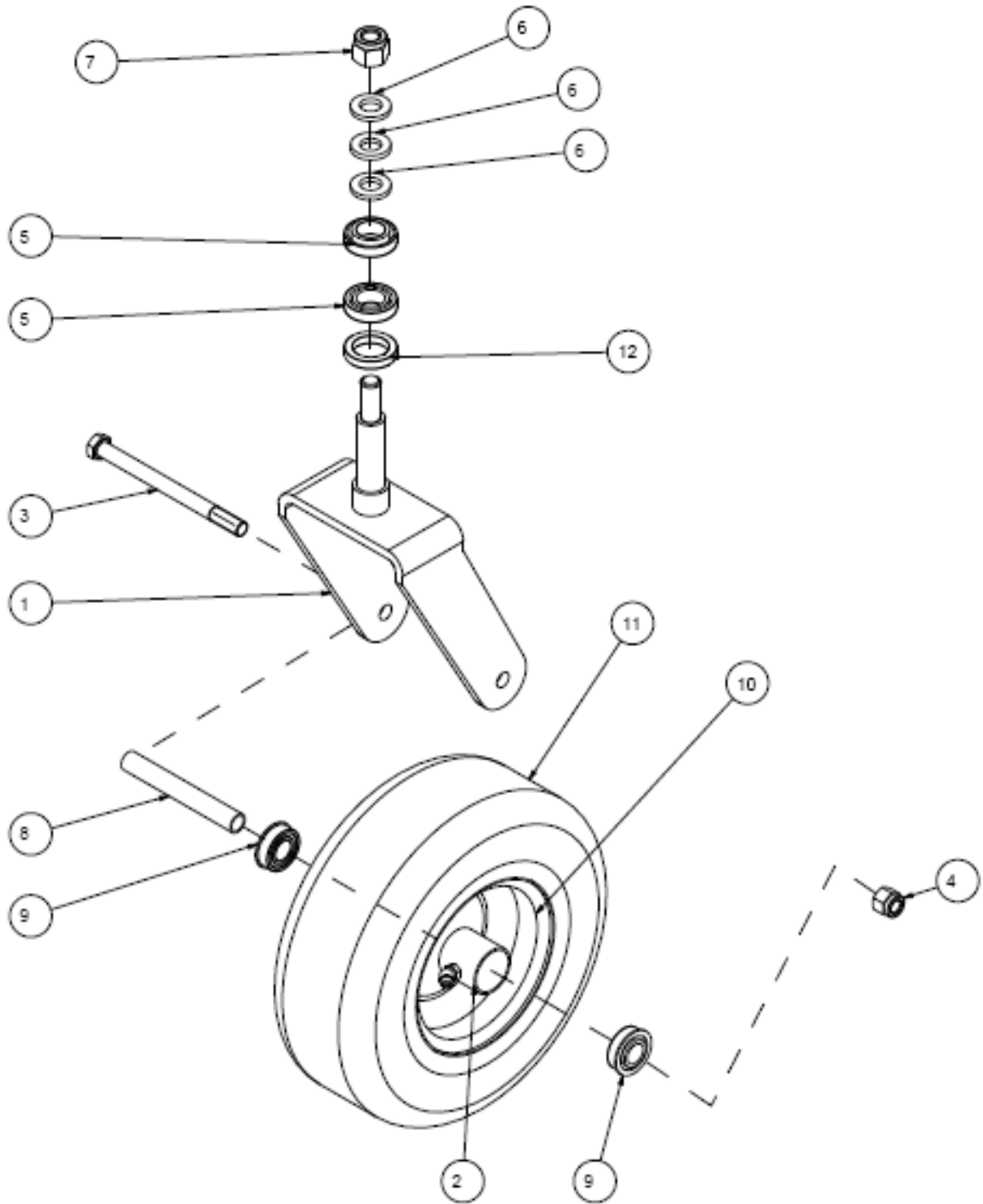
800-267-4255

FAX – 402-223-4103

Contents

CASTER ASSEMBLY	7
CONTROL ASSEMBLY LH	9
CONTROL ASSEMBLY RH.....	10
UPPER HANDLE ASSEMBLY	11
FRONT FRAME	13
UPPER FRAME GROUP	15
LIFT LEVER ASSEMBLY	18
LEG PAD ASSEMBLY.....	19
FUEL TANK ASSEMBLY	20
CARBON CANISTER ASSEMBLY.....	21
32" DECK ASSEMBLY.....	22
36" DECK ASSEMBLY.....	24
FLOATING IDLER ASSEMBLY.....	26
BLADE BELT TENSION ASSEMBLY	27
DRIVE IDLER ASSEMBLY	28
BLADE SPINDLE ASSEMBLY.....	29
PUMP IDLER ASM	30
PARK BRAKE ASSEMBLY.....	32
DRIVE ASSEMBLY.....	34
ENGINE GROUP.....	36
WIRE HARNESS.....	38
ELECTRICAL GROUP.....	39
DECAL GROUP	41

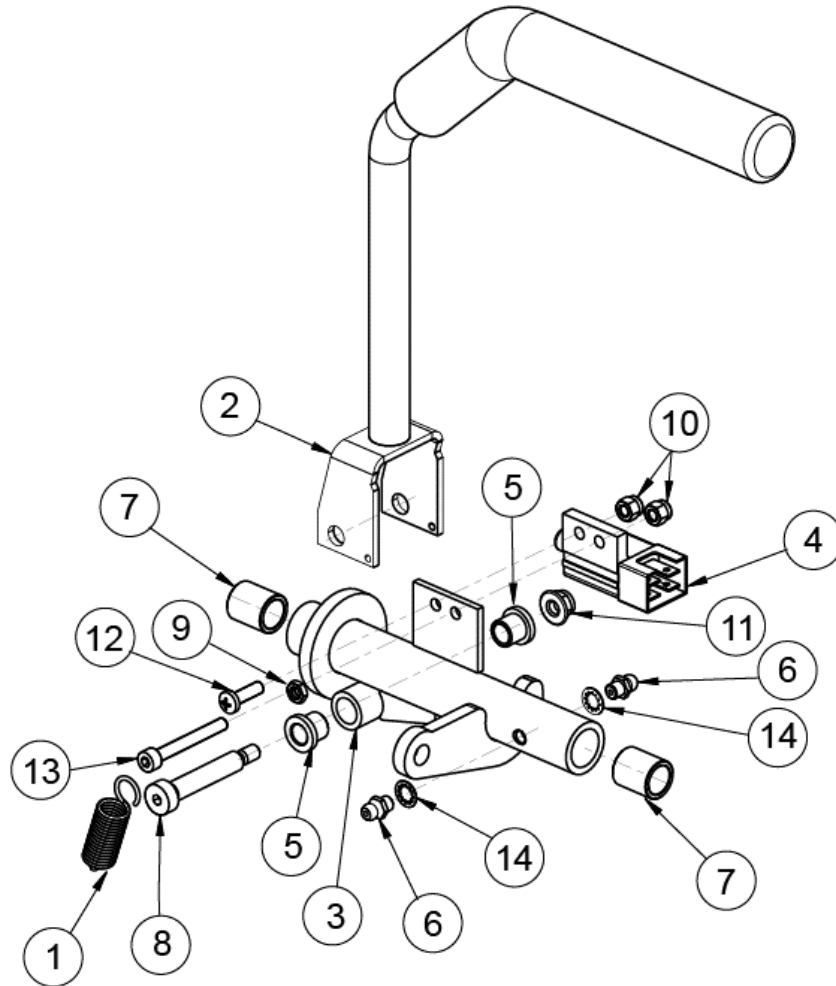
CASTER ASSEMBLY



CASTER ASSEMBLY

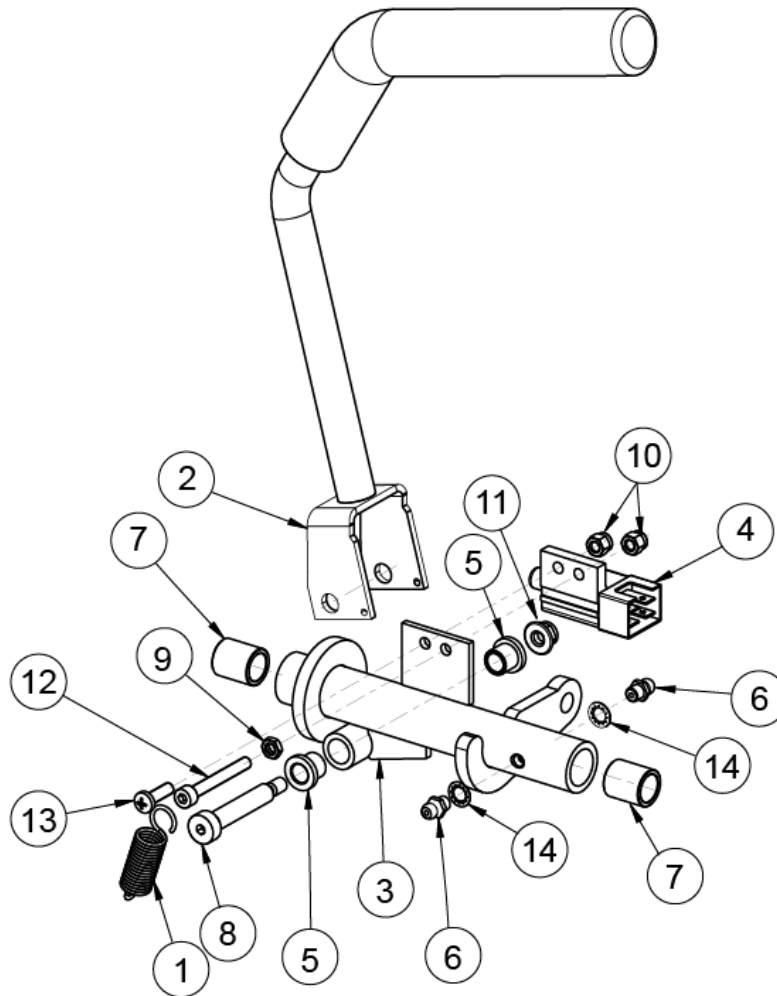
ITEM	PART NO.	DESCRIPTION
1	5002095	CASTER YOKE WELDMENT
2	5002100	CASTER WHEEL W/BEARINGS
3	B5782-12150	BOLT M12 X 150
4	B6182-12	LOCKNUT M12
5	B297-32922	BEARING
6	5002091	SPRING WASHER
7	B6182-16	LOCKNUT M16
8	5002092	CASTER TUBE
9	5002103	CASTER WHEEL BEARING
10	5002102	RIM
11	5002101	TIRE 11X4
12	B9877.1-28407	SEAL

CONTROL ASSEMBLY LH



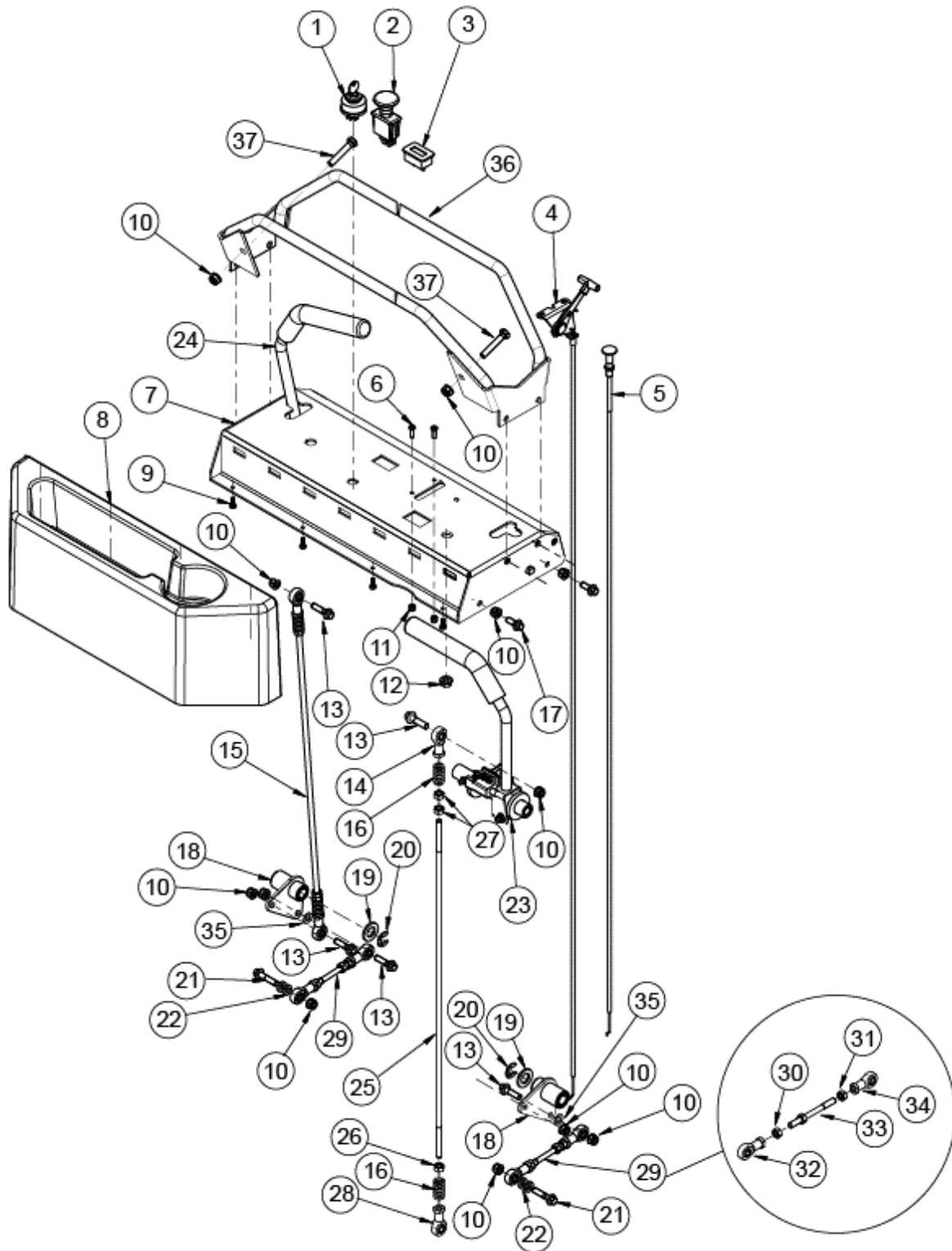
ITEM	PART NO.	DESCRIPTION
1	363155	OPC SPRING
2	452081	HANDLE W/GRIP
3	462154	WLD, LH HANDLE PIVOT
4	523034	PARK SWITCH
5	2806010	NYLON BUSHING
6	B1152-6	GREASE FITTING M6
7	B2685-121618	OILITE BRONZE BEARING 12 X 16 X 18
8	B5281-840	SHOULDER BOLT
9	B6172-5	NUT, JAM M5
10	B6182-5	NUT, NYLOC M5
11	B6187-6	FLANGED TOPLOCK M6
12	B823-516	SCREW M5X16
13	B70-540	SCREW M5 X 40
14	B861.1-6	INT TOOTH LOCKWASHER 6

CONTROL ASSEMBLY RH



ITEM	PART NO.	DESCRIPTION
1	363155	OPC SPRING
2	452081	HANDLE W/GRIP
3	462155	WLD, RH HANDLE PIVOT
4	523034	PARK SWITCH
5	2806010	NYLON BUSHING
6	B1152-6	GREASE FITTING M6
7	B2685-121618	OILITE BRONZE BEARING 12 X 16 X 18
8	B5281-840	SHOULDER BOLT
9	B6172-5	NUT, JAM M5
10	B6182-5	NUT, NYLOC M5
11	B6187-6	FLANGED TOPLOCK M6
12	B70-540	SCREW M5 X 40
13	B823-516	SCREW, M5 X 16
14	B861.1-6	INT TOOTH LOCKWASHER 6

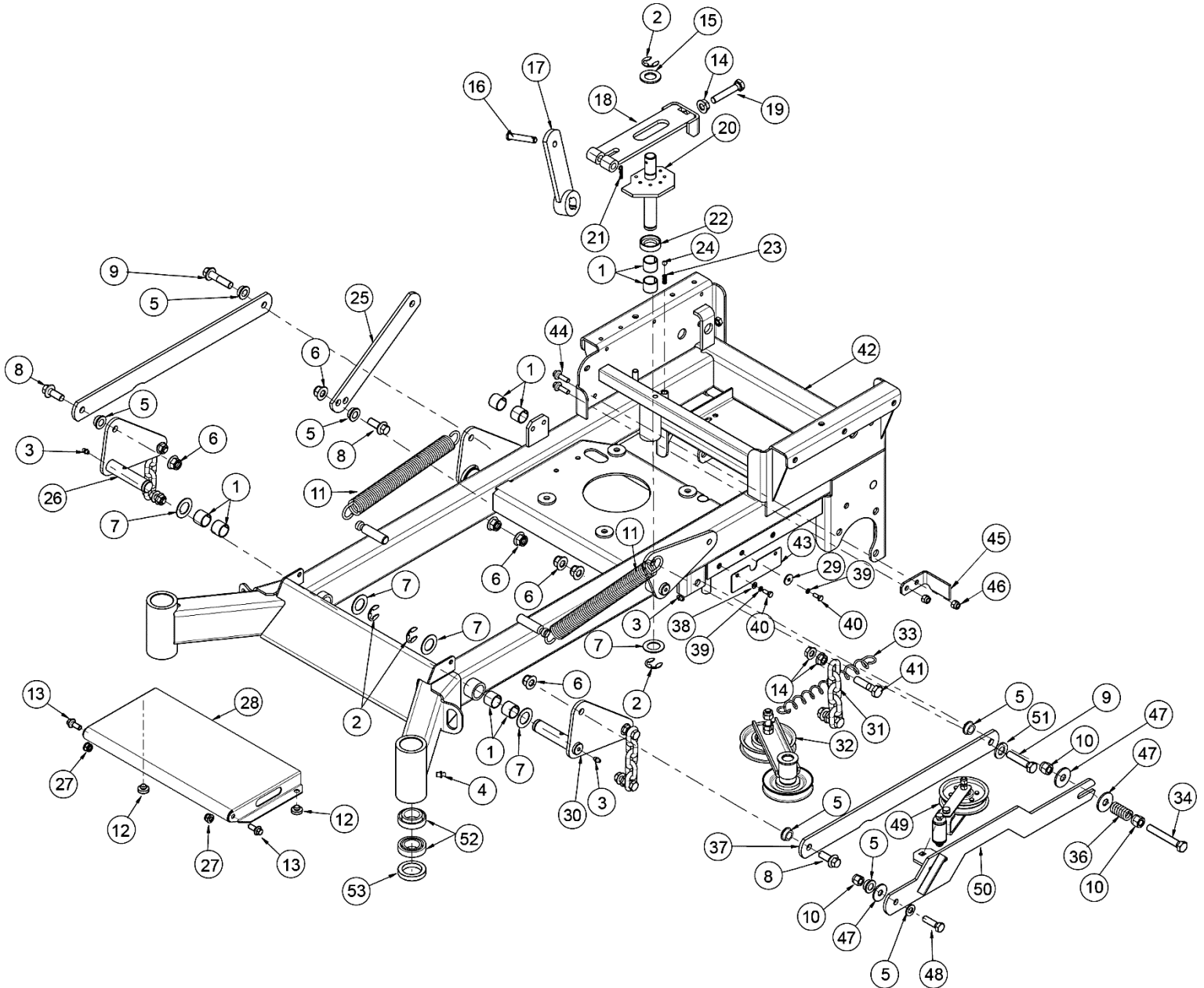
UPPER HANDLE ASSEMBLY



UPPER HANDLE ASSEMBLY

ITEM	PART NO.	DESCRIPTION
1	423027	IGNITION SWITCH
NOT SHOWN	423413	KEY, COVERED IGNITION
NOT SHOWN	423414	NUT, 5/8-32 NYLON
NOT SHOWN	423415	WASHER, INTERNAL TOOTH LOCK
NOT SHOWN	423416	BEZEL, 5/8 NUT
2	523031	PTO SWITCH
3	453417	METER, MS HOUR
4	463555	THROTTLE CONTROL – CONSOLE
5	463554	CABLE, CHOKE
6	B823-516	SCREW M5 X 16
7	462152-2	Wld, SO CONTROL PANEL
8	463539	TRAY, UTILITY
9	103003	#10-14 X 1/2 PP PLASTITE
10	B6187-8	FLANGED TOPLOCK M8
11	B6182-5	NUT, NYLOC M5
12	109008	3/8-24 WHIZLOCK NUT
13	B5787-830	SCREW, HH FLANGE M8 X 30
14	5205016	ROD END, SPHERICAL M8 RH SIBJK8S
15	464084	ASM, SO PUMP ROD
16	5205003	SPRING, COMPRESSION
17	B5787-820	SCREW, HH FLANGE M8X20
18	462144	ASM, PUMP CNTL CRANK
19	B97.1-16	WASHER 16
20	B896-12	SNAP RING 12
21	B5787-835	BOLT, M8 X 35 FLANGE HEAD
22	253075	CABLE ANCHOR SPACER
23	464080	ASM, LH DRIVE HANDLE - DETAIL ON PG 9
24	464081	ASM, RH DRIVE HANDLE – DETAIL ON PG 10
25	463276	ROD, SO PUMP CONTROL
26	B6171-8L	NUT M8 X 1 LH
27	B6171-8	NUT M8
28	5205017	ROD END, SPHERICAL M8 LH SILBJK8S
29	464098	ASM, PUMP CTRL SHORT
30	B6171-8	NUT M8
31	B6171-8L	NUT M8 X 1 (LH)
32	5205016	ROD END, SPHERICAL M8 RH SIBJK8S
33	462179	ASM, SHORT PUMP LINK
34	5205017	ROD END, SPHERICAL M8 LH SILBJK8S
35	B97.1-8	WASHER 8
36	462153-2	WLD, REFERENCE BAR
37	B5783-845	BOLT M8 X 45

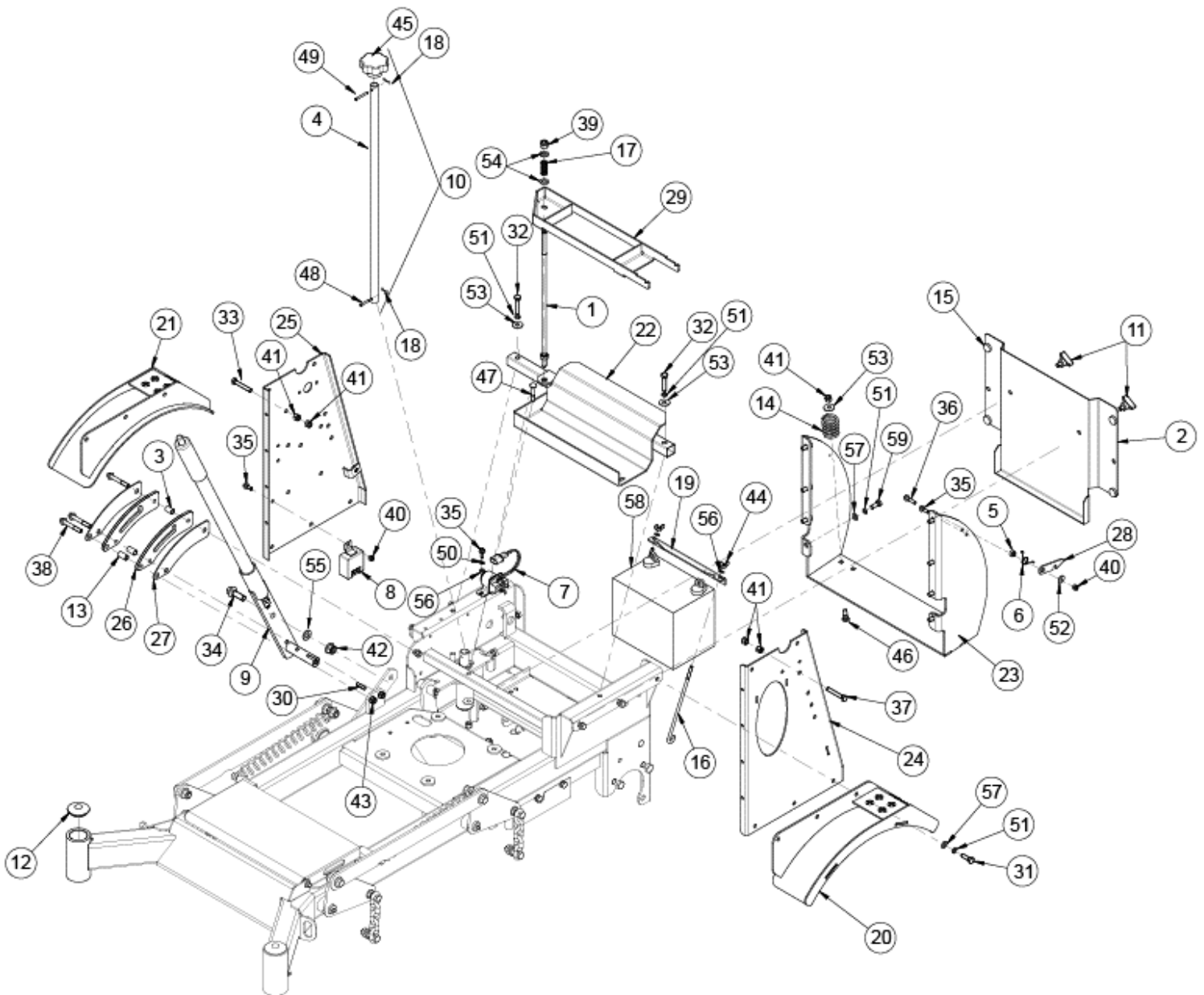
FRONT FRAME



FRONT FRAME

ITEM	PART NO.	DESCRIPTION
1	B12613-252220	BUSHING 25X22X20
2	B896-15	SNAP RING 15
3	B1152-6	GREASE FITTING M6
4	B1152-8	GREASE FITTING 8MM
5	463515	BUSHING
6	B6187-12	NUT, FLANGED TOPLOCK M12
7	5202020	WASHER
8	B5787-1235	SCREW, HH FLANGED M12 X 35
9	B5783-1255	SCREW, HH TAP M12 X 55
10	B6182-12	NUT, NYLOC M12
11	463521	SPRING, DECK
12	5203907	BUMPER, RUBBER
13	B5787-820	SCREW, HH FLANGE M8X20
14	B6177-10	NUT, FLANGED M10
15	B97.1-20	WASHER 20
16	B882-1055B	PIN, M10 X 55 CLEVIS
17	462282-1	WLD, HGT STOP ARM
18	462130	WLD, CAM SLIDE
19	B5786-10055	SCREW, HH TAP M10 X 55
20	462123	WLD, LIFT STOP CAM
21	XSZ56-1-17	HAIR PIN
22	463188	SPACER, CAM HUB
23	2804038	DETENT SPRING
24	B308-4	BALL SR4
25	463516-2	LINK, SHORT LIFT
26	462126-2	WLD, LH FRONT LIFT CRANK
27	B6187-8	FLANGED TOPLOCK M8
28	462193	ASM, FRONT COVER WITH DECAL
29	5203408	WASHER
30	462125-2	WLD, RH FRONT LIFT CRANK
31	463320	CHAIN, DECK
32	464062	ASM, 36 SO PUMP IDLER DETAIL ON PG 30
33	463787	SPRING, TENSION
34	B5783-1280	SCREW, HH TAP M12 X 80
35	463320	CHAIN, DECK
36	3332005	COMPRESSION SPRING
37	463514-2	LINK, LONG LIFT
38	B97.1-8	WASHER 8
39	B93-8	LOCKWASHER 8
40	B5783-820	SCREW, HH TAP M 8 X 20
41	B5782-1040	SCREW, HH M10 X 40
42	462120-2	WLD, 32/36 MAIN FRAME
43	463523-2	COVER, PUMP BELT
44	B5787-620	HEX FLANGE HD BOLT M6X20
45	463565	PLATE, LIMITING
46	B6182-6	NUT, NYLOC M6
47	B96-12	WASHER, FLAT LARGE M12
48	B5783-1240	SCREW, HH TAP M12 X 40
49	464113	ASM, FLOATING IDLER DETAIL ON PG 26
50	462148-2	WLD, FLTG IDLER BAR
51	B97.1-12	WASHER 12
52	B297-32922	BEARING 329/22
53	B9877.1-28407	GREASE SEAL 28X40X7

UPPER FRAME GROUP



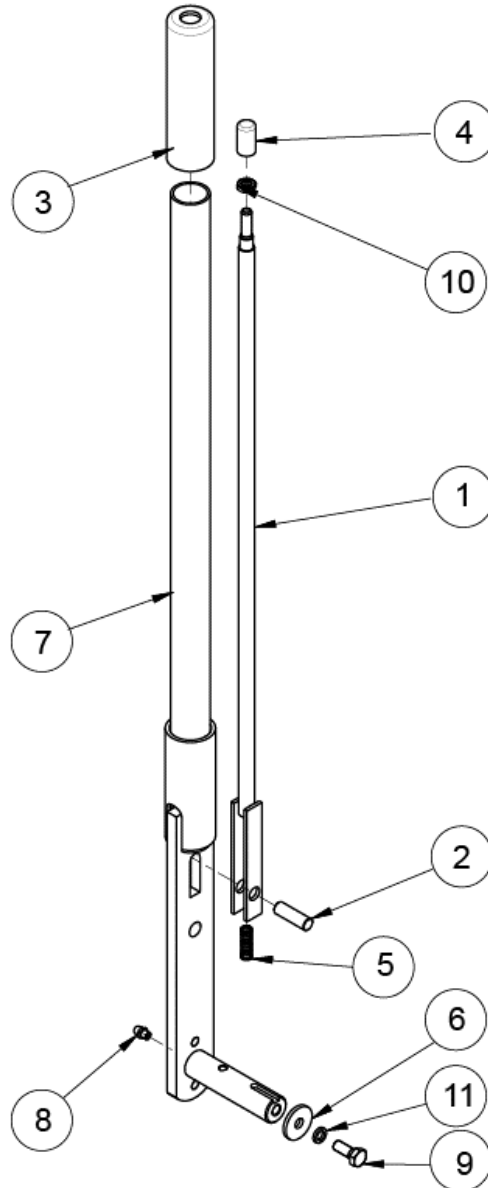
UPPER FRAME GROUP

ITEM	PART NO.	DESCRIPTION
1	462138	WLD, DECK HEIGHT CAM ROD
2	462194	ASM, TOE PANEL WITH DECAL
3	463195	SPACER, LEVER LOCK
4	463199	TUBE, HEIGHT KNOB
5	463211	BUSHING, LATCH
6	463212	SPRING, LATCH
7	463234	RELAY, START
8	463235	MODULE, CSO SAFETY
9	464063	ASM, LIFT LEVER DETAIL ON PG 18
10	464065	ASM, HEIGHT CAM CONTROL
11	3302190	KNOB, 3-PRONGED W/STUD
12	5002020	CAP, DUST
13	5202022	BUSHING
14	5203044	SEAT SPRING
15	5203907	BUMPER, RUBBER
16	5208203	HOOK ROD/ LINK ROD
17	5210407	COMPRESSION SPRING
18	2ZS6-049001	HAIR PIN COTTER
19	453419-1	BATTERY HOLD DOWN – BLACK
20	462132-2	WLD, LH FENDER
21	462133-2	WLD, RH FENDER
22	462137-1	WLD, GAS TANK TRAY
23	464068	ASM, FOOT PLATE FRAME
24	462178-2	WLD, LH UPPER SIDE
25	462180-2	WLD, RH UPPER SIDE
26	463193-2	PLATE, LOCK
27	463194-2	COVER, LOCK PLATE
28	463210-2	LATCH, FOOT PLATE
29	463248-1	BRACKET, GAS TANK TOP
30	B1096-625	KEY 6 X 25
31	B5783-825	HEX HD BOLT M8X25
32	B5783-840	SCREW, HH TAP M8 X 40
33	B5783-850	BOLT M8 X 50
34	B5787-1235	SCREW, HH FLANGE M12 X 35
35	B5787-616	SCREW, HH FLANGE M6 X 16
36	B5787-625	M6 X 25 HH FLAT SCREW
37	B5787-850	HEX FLANGE HD BOLT M8 X 50
38	B5787-855	SCREW, HH FLANGED M8 X 55
39	B6182-10	NUT, NYLOC M10
40	B6182-6	NUT, NYLOC M6
41	B6182-8	NUT, NYLOC M8
42	B6187-12	NUT, FLANGED TOPLOCK M12
43	B6187-8	FLANGED TOPLOCK M8
44	B62-6	BUTTERFLY NUT M6

UPPER FRAME GROUP

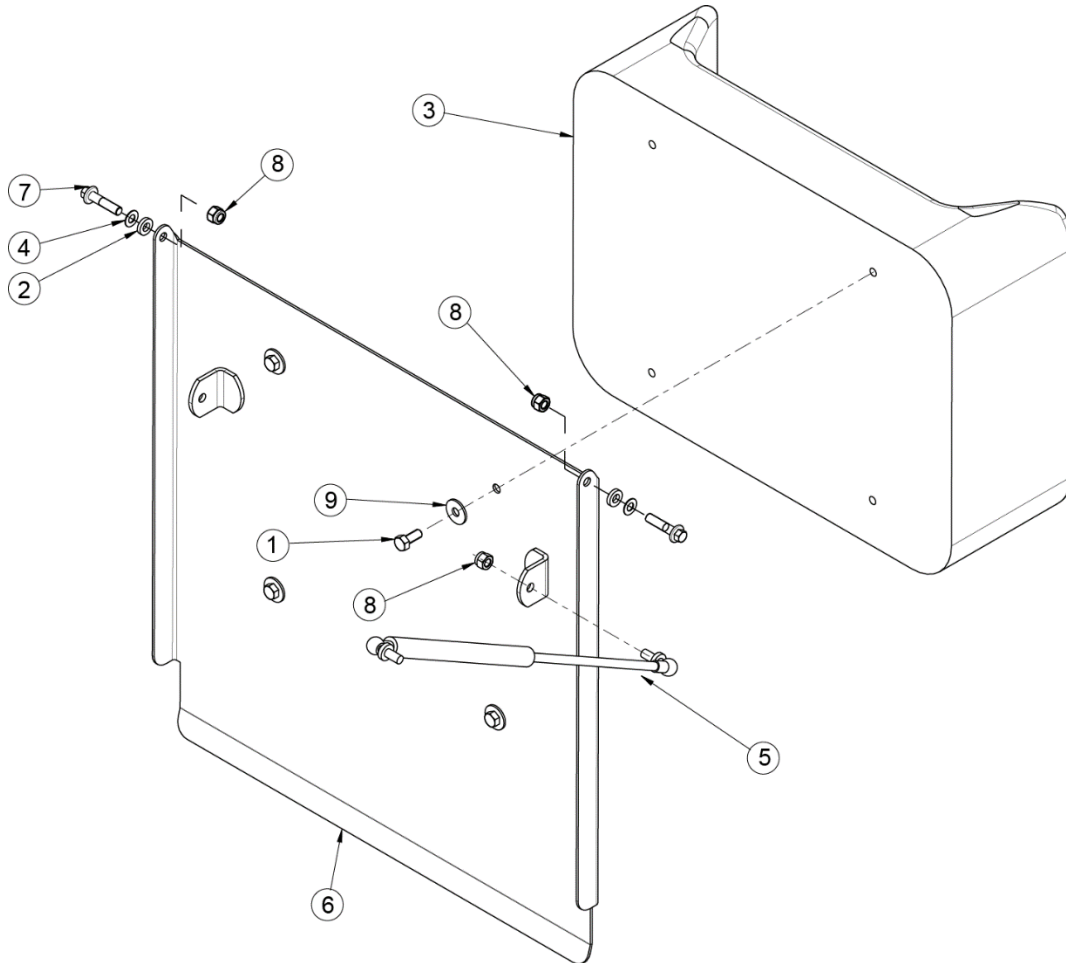
ITEM	PART NO.	DESCRIPTION
45	B7274.4-16063	KNOB, 16 X 63
46	B801-825	BOLT, CARRIAGE SN M8 X 25
47	B801-840	BOLT, CARRIAGE SN M8 X 40
48	B882-4024B	PIN, 4 X 24 CLEVIS
49	B882-4035B	PIN, 4 X 35 CLEVIS
50	B93-6	LOCKWASHER 6
51	B93-8	LOCKWASHER 8
52	B96-6	WASHER, FLAT LARGE M6
53	B96-8	WASHER 8
54	B97.1-10	WASHER, FLAT M10
55	B97.1-12	WASHER 12
56	B97.1-6	WASHER 6
57	B97.1-8	WASHER 8
58	FOR REFERENCE ONLY	BATTERY 12V
59	B5787-825	SCREW, HH FLANGE M8x25

LIFT LEVER ASSEMBLY



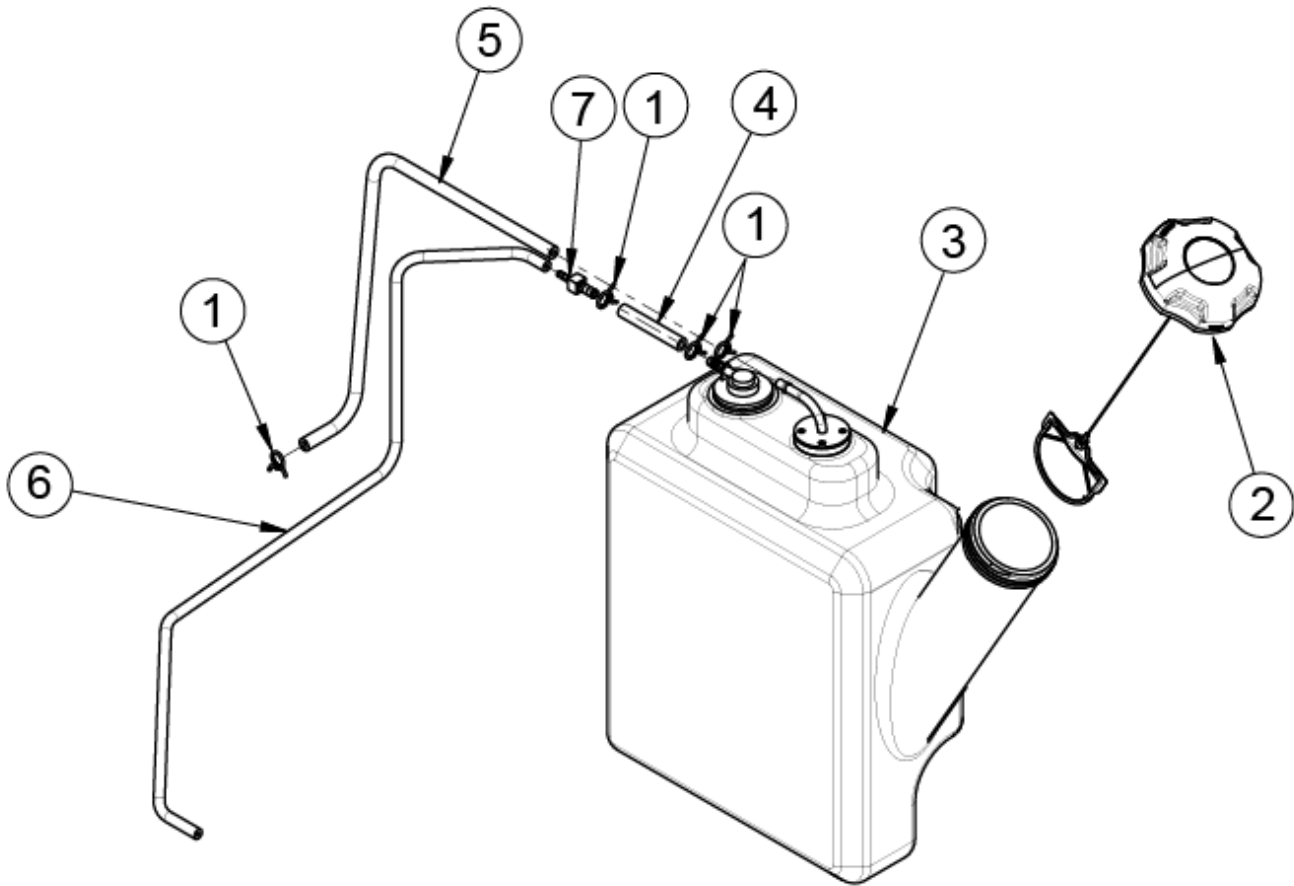
ITEM	PART NO.	DESCRIPTION
1	462128	WLD, RELEASE ROD
2	5202030	ROLLER
3	5202032	HANDLE GRIP
4	5202033	PUSH BUTTON
5	5202034	COMPRESSION SPRING
6	5203408	WASHER
7	462127-2	WLD, DECK LIFT LEVER
8	B1152-6	GREASE FITTING M6
9	B5783-820	SCREW, HH TAP M8 X 20
10	B6172-8	NUT, THIN HEX M8
11	B93-8	LOCKWASHER 8

LEG PAD ASSEMBLY



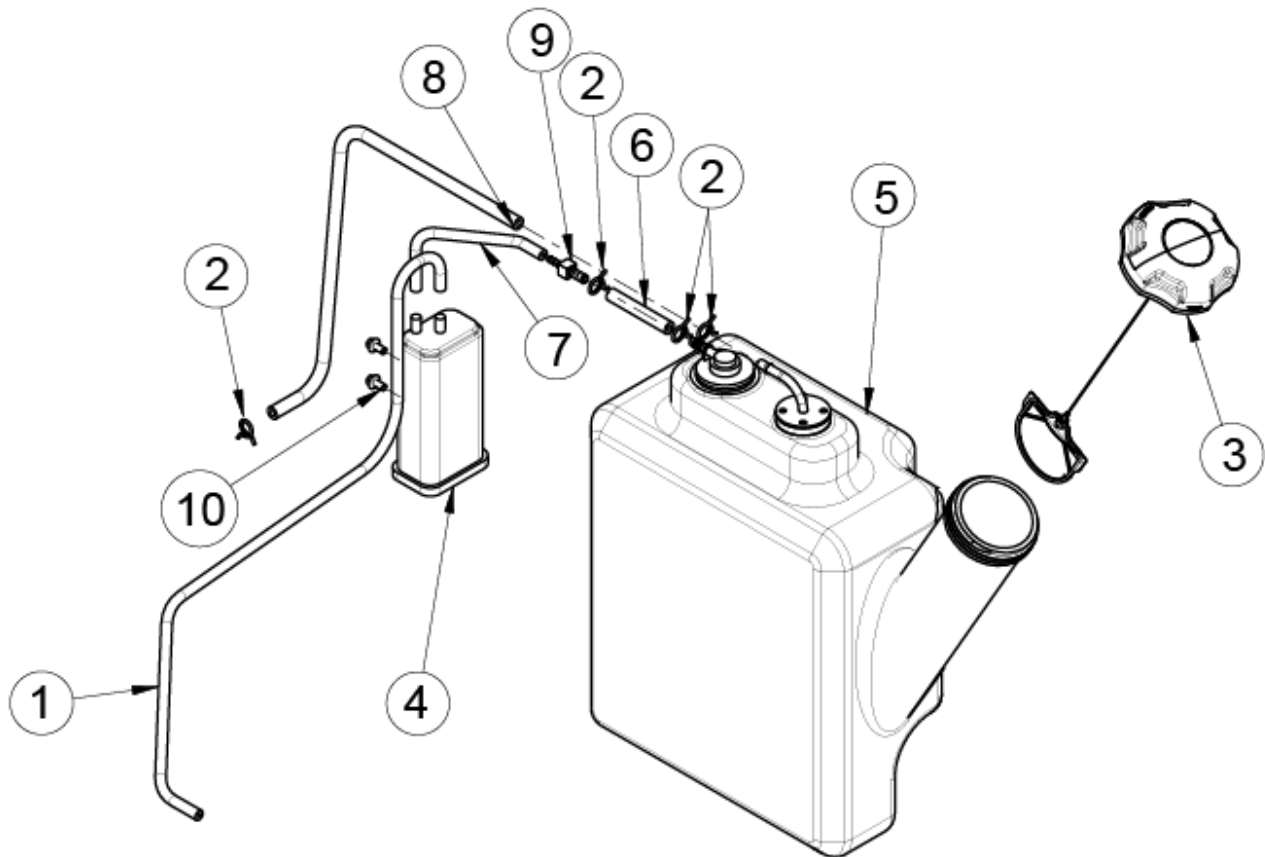
ITEM	PART NO.	DESCRIPTION
1	100271	5/16-18 X 3/4 HHCS
2	253075	CABLE ANCHOR SPACER
3	453379	CUSHION
4	463454	WASHER, .312 ID WAVEY
5	5210107	DAMPER
6	462177-1	WLD, LEG PAD PAN
7	B5787-835	BOLT, M8 X 35 FLANGE HEAD
8	B6182-8	NUT, NYLOC M8
9	B96-8	WASHER 8

FUEL TANK ASSEMBLY



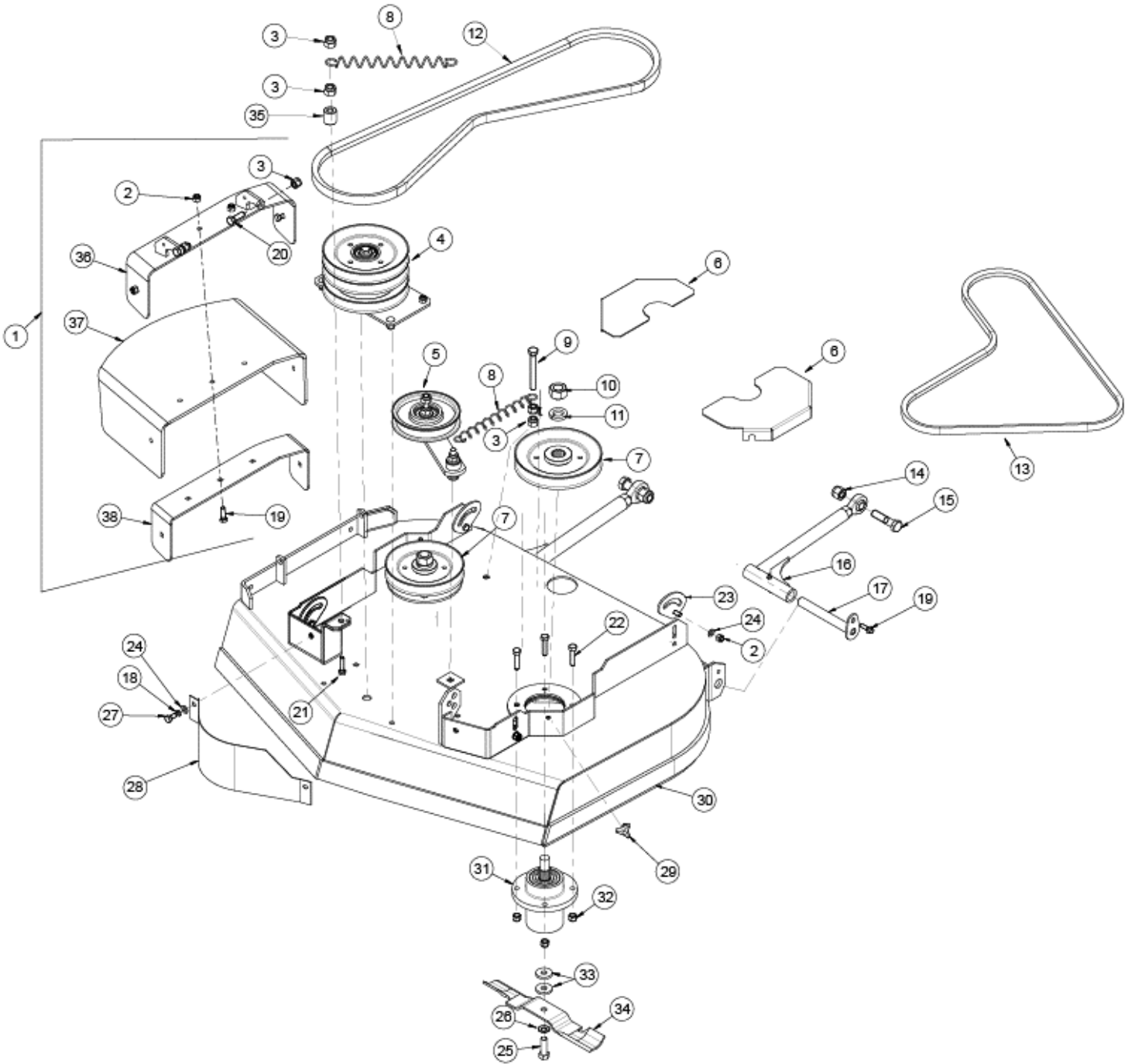
ITEM	PART NO.	DESCRIPTION
1	363098	CLAMP, FUEL LINE 1/4 ID
2	363413	FUEL CAP - EPA/CARB
3	462139	ASM, 36 SO GAS TANK
4	463552	HOSE, VENT 1/4 X 3"
5	533085	FUEL LINE / 21 1/2" LONG (.25")
6	543362	HOSE, VENT 3/16 ID X 36
7	5000130	REDUCER, HOSE 3/16 - 1/4

CARBON CANISTER ASSEMBLY



ITEM	PART NO.	DESCRIPTION
1	353242	HOSE, VENT 3/16 X 33"
2	363098	CLAMP, FUEL LINE 1/4 ID
3	363413	FUEL CAP - EPA/CARB
4	363423	CARBON CANISTER 382 CC
5	462139	ASM, 36 SO GAS TANK
6	463552	HOSE, VENT 1/4 X 3"
7	463553	HOSE, VENT 1/4 x 11"
8	533085	FUEL LINE / 21 1/2" LONG (.25")
9	5000130	REDUCER, HOSE 3/16 - 1/4
10	B5787-612	SCREW, FLANGED HH M6 X 12

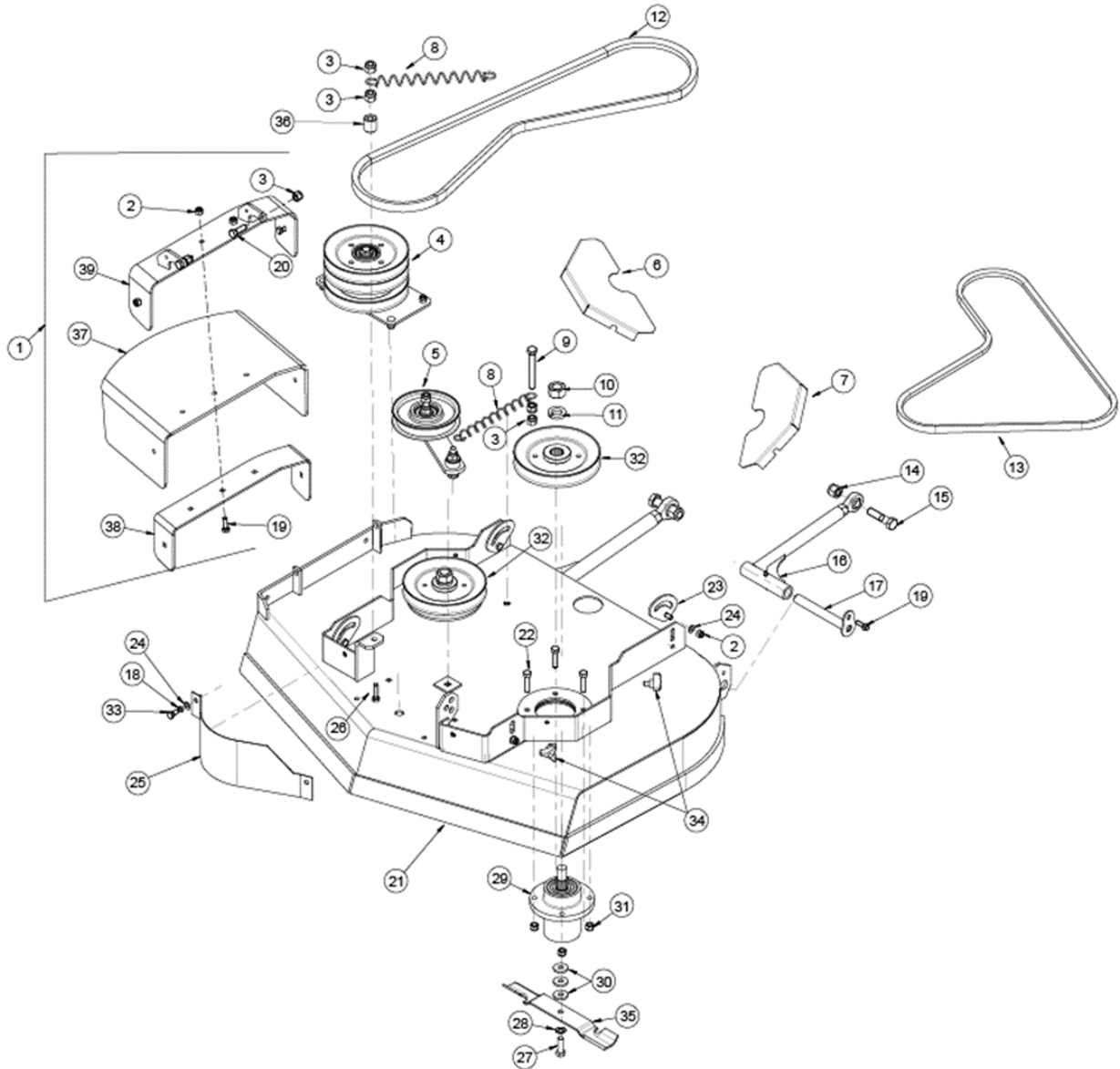
32" DECK ASSEMBLY



32" DECK ASSEMBLY

ITEM	PART NO.	DESCRIPTION
1	464071	ASM, 36 SO DEFLECTOR
2	B6182-8	NUT, NYLOC M8
3	B6182-10	NUT, NYLOC M10
4	464111	ASM, DRIVE IDLER DETAIL ON PG 28
5	464073	ASM, BLADE BELT TENSION – DETAIL ON PG 27
6	462191	ASM, 32 BELT COVER WITH DECAL
7	462166	PULLEY, DECK
8	463787	SPRING, TENSION
9	B5783-1080	HEX HD BOLT M10X80
10	104511	3/4-16 UNF REG HEX NUT
11	105010	3/4 LOCKWASHER
12	463259	BELT, 36 SO DECK DRIVE
13	463474	BELT, 32 SO BLADE
14	B6182-16	NYLOC NUT M16
15	B5782-1665	SCREW, HH M16 X 65
16	464076	ASM, 36 SO DECK STRUT
17	5201055	AXLE PIN WELDMENT
18	B93-8	LOCKWASHER M8
19	B5787-825	SCREW, HH FLANGE M8x25
20	B5783-1030	HEX HD BOLT M10X30
21	B5782-1055	SCREW, HH M10x55
22	100294	3/8-16 X 1-1/2 HHCS
23	462147	WLD, DECK ADJUSTER
24	B97.1-8	WASHER 8
25	100347	5/8-11 X 2 HHCS
26	583108	5/8 SPRING DISC WASHER
27	B5783-816	SCREW, HH TAP M8x16
28	462192	ASM, FRONT PULLEY COVER WITH DECAL
29	3302190	KNOB, 3-PRONGED W/STUD
30	462188	ASM, 32 DECK WITH DECAL
31	583106	BLADE SPINDLE ASSY DETAIL ON PG 29
32	104257	3/8-16 HEX NYLOC NUT
33	363382	BLADE SPACER
34	4801401U	BLADE
	463579	MULCHING BLADE, 16.5"
35	5001331	BUSHING 1
36	4801060	OUTER BRACKET DISCHARGE CHUTE
37	463251	CHUTE, PLASTIC
38	4801051	INNER BRACKET, DISCHARGE CHUTE

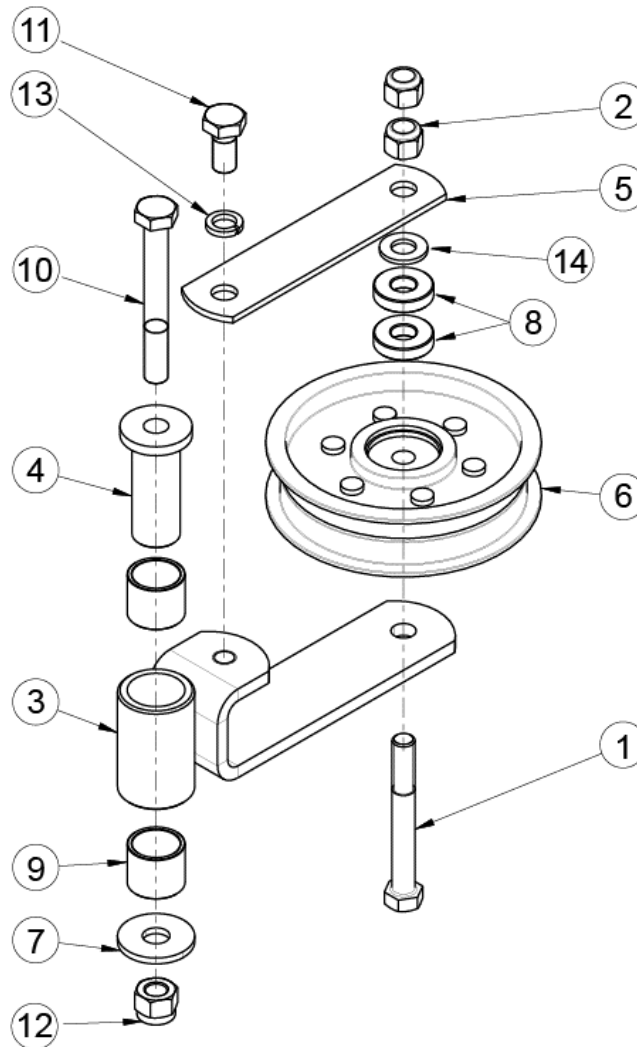
36" DECK ASSEMBLY



36" DECK ASSEMBLY

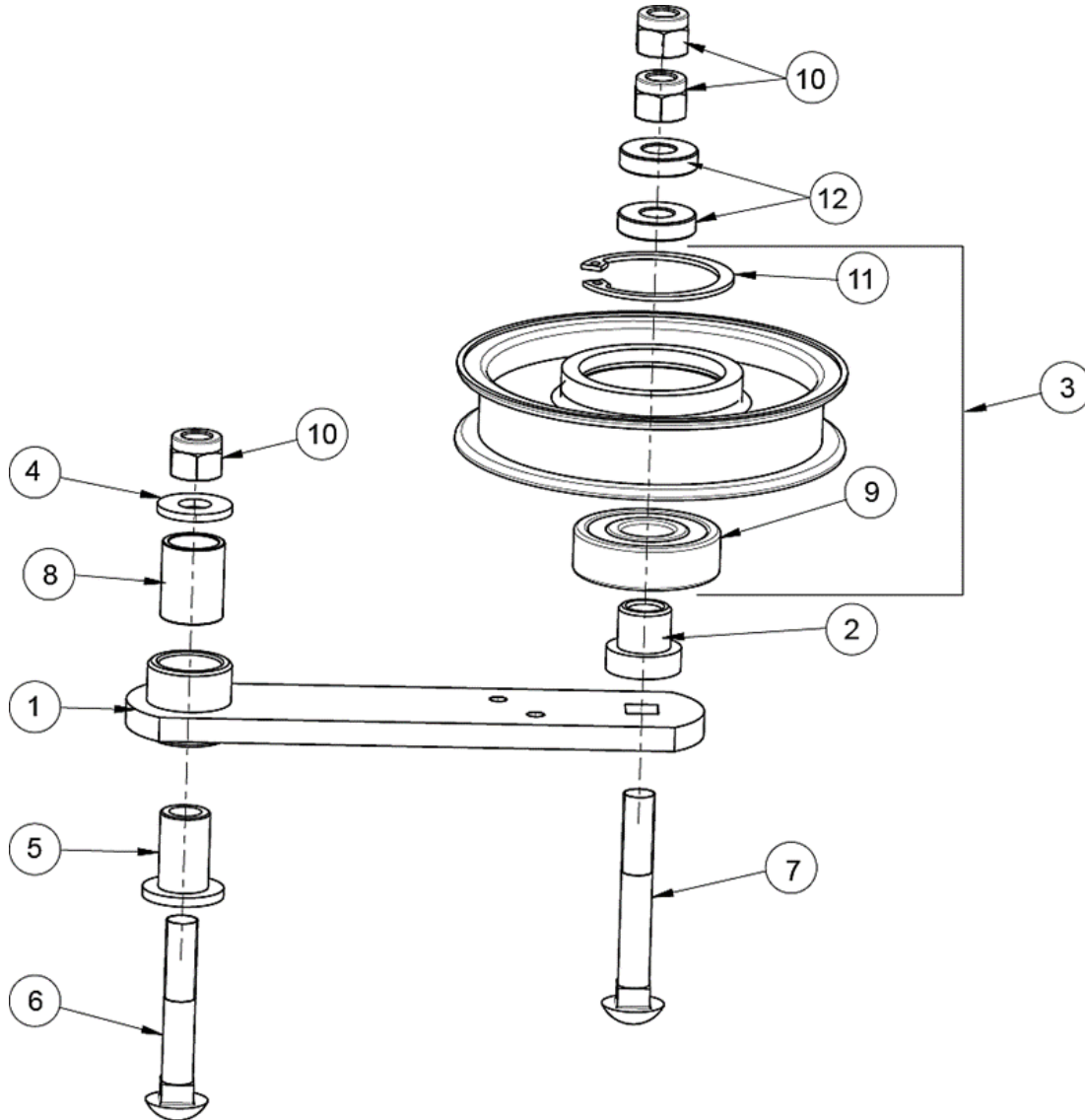
ITEM	PART NO.	DESCRIPTION
1	464071	ASM, 36 SO DEFLECTOR
2	B6182-8	NUT, NYLOC M8
3	B6182-10	NUT, NYLOC M10
4	464111	ASM, DRIVE IDLER DETAIL ON PG 28
5	464073	ASM, BLADE BELT TENSION – DETAIL ON PG 27
6	462190	ASM, 36 LH BELT COVER WITH DECAL
7	462189	ASM, 36 RH BELT COVER WITH DECAL
8	463787	SPRING, TENSION
9	B5783-1080	HEX HD BOLT M10X80
10	104511	3/4-16 UNF REG HEX NUT
11	105010	3/4 LOCKWASHER
12	463259	BELT, 36 SO DECK DRIVE
13	463258	BELT, 36 SO BLADE
14	B6182-16	NYLOC NUT M16
15	B5782-1665	SCREW, HH M16 X 65
16	464076	ASM, 36 SO DECK STRUT
17	5201055	AXLE PIN WELDMENT
18	B93-8	LOCKWASHER M8
19	B5787-825	SCREW, HH FLANGE M8x25
20	B5783-1030	HEX HD BOLT M10X30
21	462187	ASM, 36 DECK WITH DECAL
22	100294	3/8-16 X 1-1/2 HHCS
23	462147	WLD, DECK ADJUSTER
24	B97.1-8	WASHER 8
25	462192	ASM, FRONT PULLEY COVER WITH DECAL
26	B5783-1040	BOLT M10 X 40
27	100347	5/8-11 X 2 HHCS
28	583108	5/8 SPRING DISC WASHER
29	583106	BLADE SPINDLE ASSY DETAIL ON PG 29
30	363382	BLADE SPACER
31	104257	3/8-16 HEX NYLOC NUT
32	462166	PULLEY, DECK
33	B5783-816	SCREW, HH TAP M8 X 16
34	3302190	KNOB, 3-PRONGED W/STUD
35	463250	BLADE, 36 SO
	463557	MULCHING BLADE, 17.75"
36	5001331	BUSHING 1
37	463251	CHUTE, 36 SO PLASTIC
38	4801051	INNER BRACKET, DISCHARGE CHUTE
39	4801060	OUTER BRACKET, DISCHARGE CHUTE

FLOATING IDLER ASSEMBLY



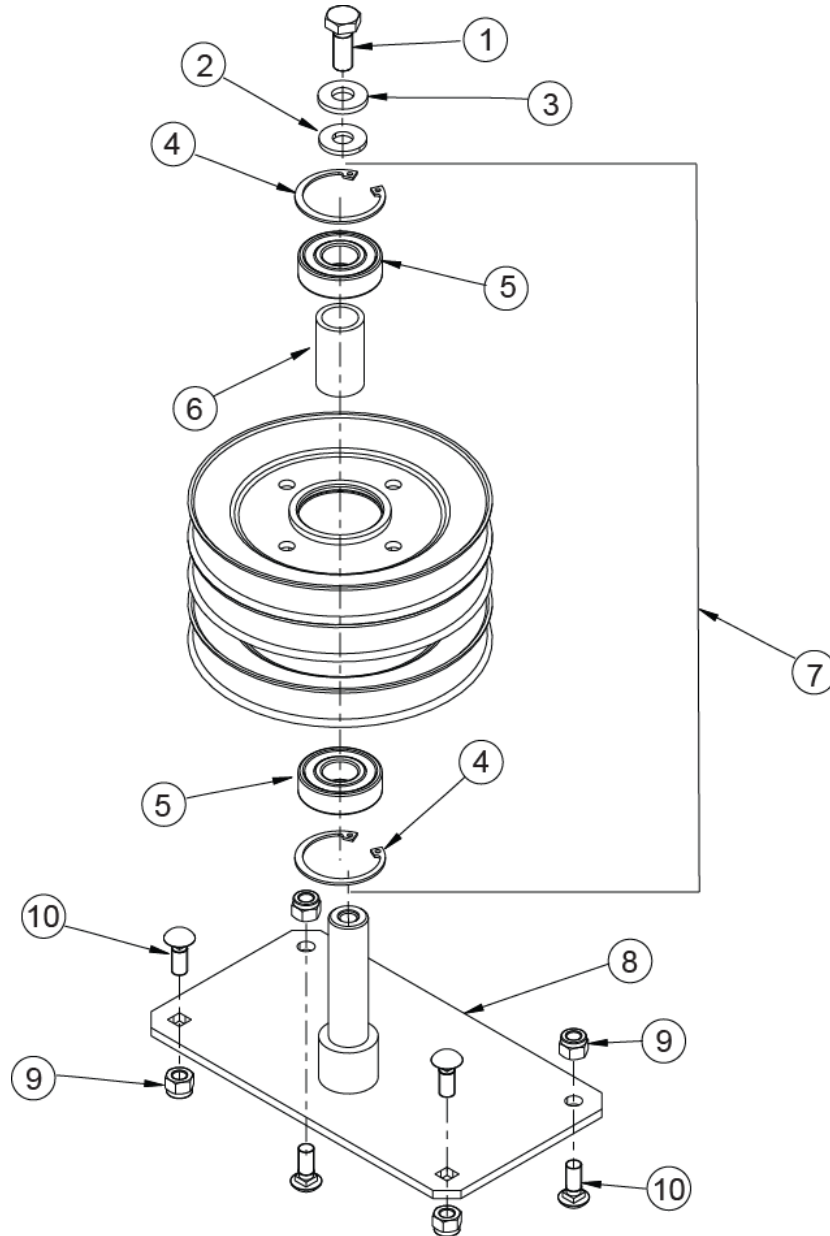
ITEM	PART NO.	DESCRIPTION
1	100030	3/8-16 X 3 HHTB
2	104257	3/8-16 HEX NYLOC NUT
3	462196	WLD, DECK TENSION ARM
4	463569	BUSHING DECK TENSION
5	463570	LINK, DECK TENSION
6	523329	FLOATING IDLER - FLAT
7	3307004	WASHER
8	5002164	PADDING BLOCK
9	B2685-202420	BEARING 20 X 24 X 20
10	B5782-1080	BOLT M10 X 80
11	B5783-1020	SCREW, HH TAP M10 X 20
12	B6182-10	NUT, NYLOC M10
13	B93-10	SPLIT LOCK WASHER M10
14	B97.1-10	WASHER, FLAT M10

BLADE BELT TENSION ASSEMBLY



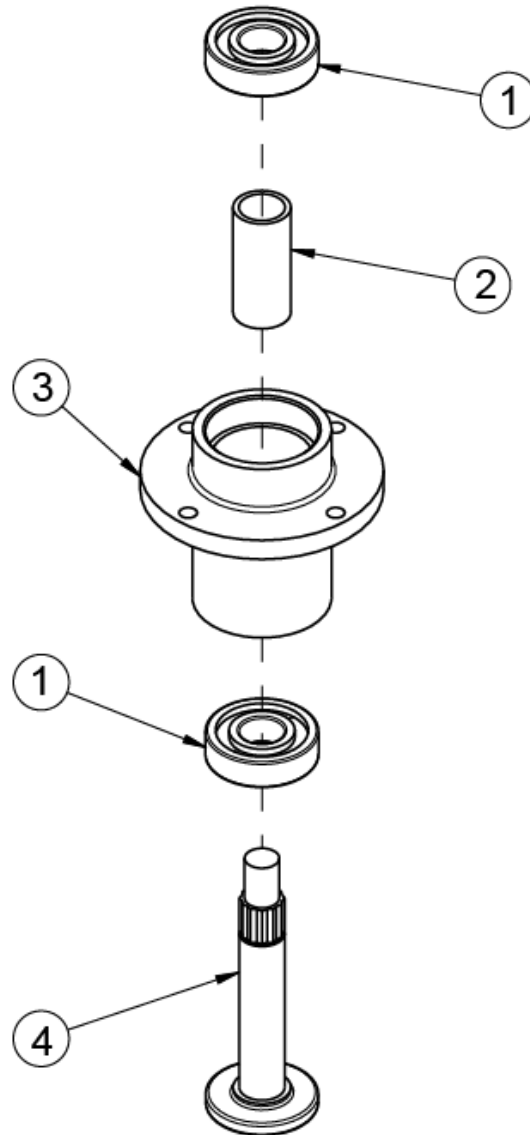
ITEM	PART NO.	DESCRIPTION
1	462143	WLD, BLADE TENSION ARM
2	463323	SPACER, PULLEY
3	542051	IDLER, FLAT 110MM W/BRG & SNAP RING
4	3302058	WASHER 10
5	4201801	BUSHING
6	B12-1060	BOLT, M10 X 60
7	B12-1070	BOLT, M10 X 70
8	B2685-162025	OILITE BRONZE BEARING 16 X 20 X 25
9	B276-6303RS	BEARING 6303-2RS
10	B6182-10	NUT, NYLOC M10
11	B893.2-47	SNAP RING 47
12	5002164	PADDING BLOCK

DRIVE IDLER ASSEMBLY



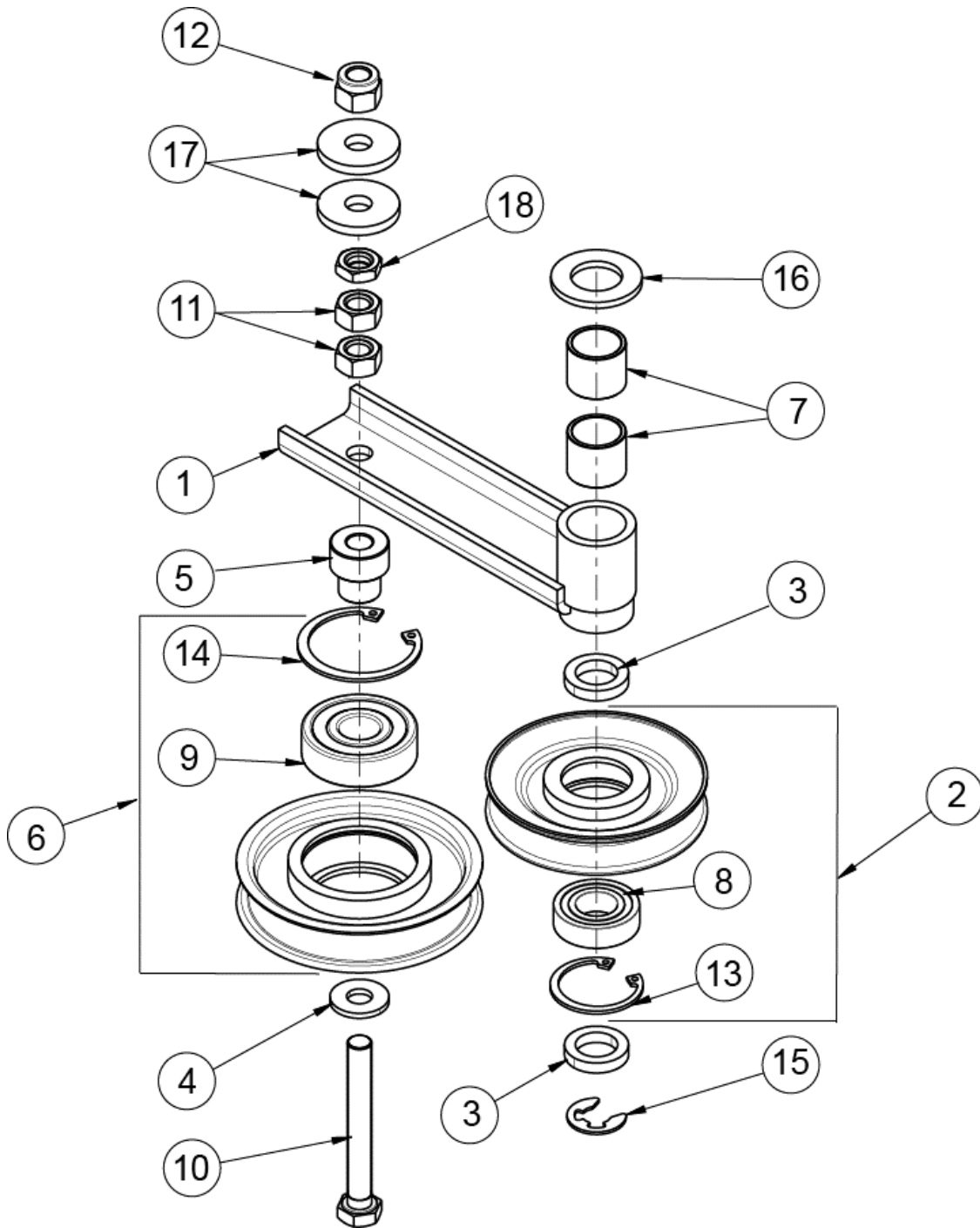
ITEM	PART NO.	DESCRIPTION
1	B5783-1025	SCREW, HH TAP M10x25
2	3302058	WASHER 10
3	5201061	WASHER
4	B893.2-47	SNAP RING 47
5	B276-6204RS	BEARING
6	463568	SPACER, DRIVE IDLER
7	464112	ASM, DRIVE IDLER PULLEY
8	462185-1	WLD, DRIVE IDLER AXLE
9	B6182-8	NUT, NYLOC M8
10	B801-820	BOLT, CARRIAGE SN M8X20

BLADE SPINDLE ASSEMBLY



ITEM	PART NO.	DESCRIPTION
1	363350	BEARING – BLADE SPINDLE
2	583113	BEARING SPACER TUBE
3	583111	SPINDLE HOUSING
4	583112	SPINDLE SHAFT

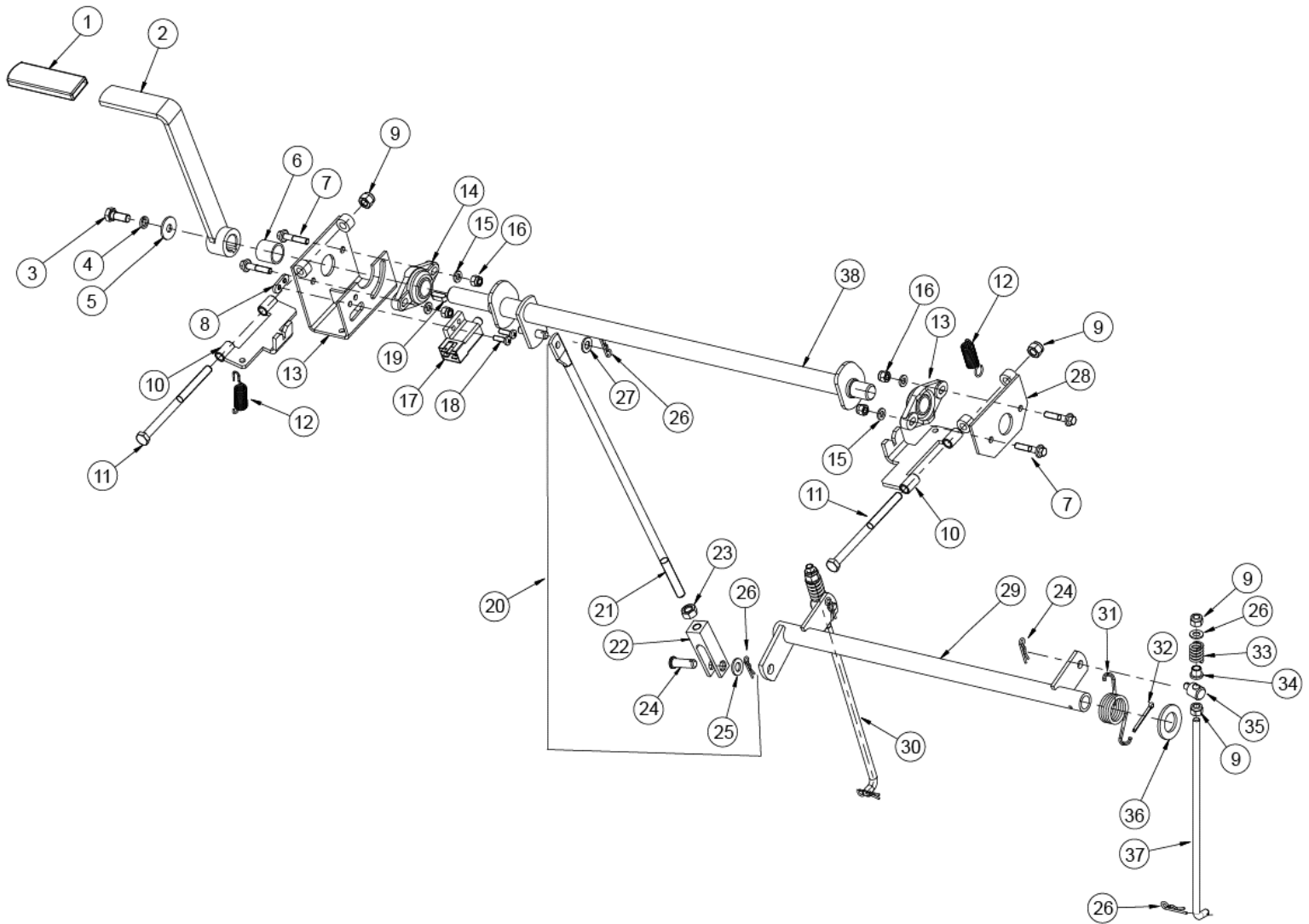
PUMP IDLER ASM



PUMP IDLER ASM

ITEM	PART NO.	DESCRIPTION
1	462122	WLD, 36 SO PUMP IDLER ARM
2	462286	SO IDLER PULLEY W/BRG
3	463175	SPACER, PULLEY 26 X 17.2 X 5
4	3302058	WASHER 10
5	5002161	BUSHING
6	462262	ASM, IDLER 90MM
7	B2685-202420	BEARING 20 X 24 X 20
8	B276-6003RS	BEARING 6003-2RS
9	B276-6303RS	BEARING 6303-2RS
10	B5783-1080	HEX HD BOLT M 10 X 80
11	B6170-10	NUT M10X1
12	B6182-10	NUT, NYLOC M10
13	B893.2-35	SNAP RING 35
14	B893.2-47	SNAP RING 47
15	B896-12	SNAP RING 12
16	B97.1-20	WASHER 20
17	5201083	WASHER, 10mm SPECIAL FLAT
18	B6172-10	NUT, JAM M10

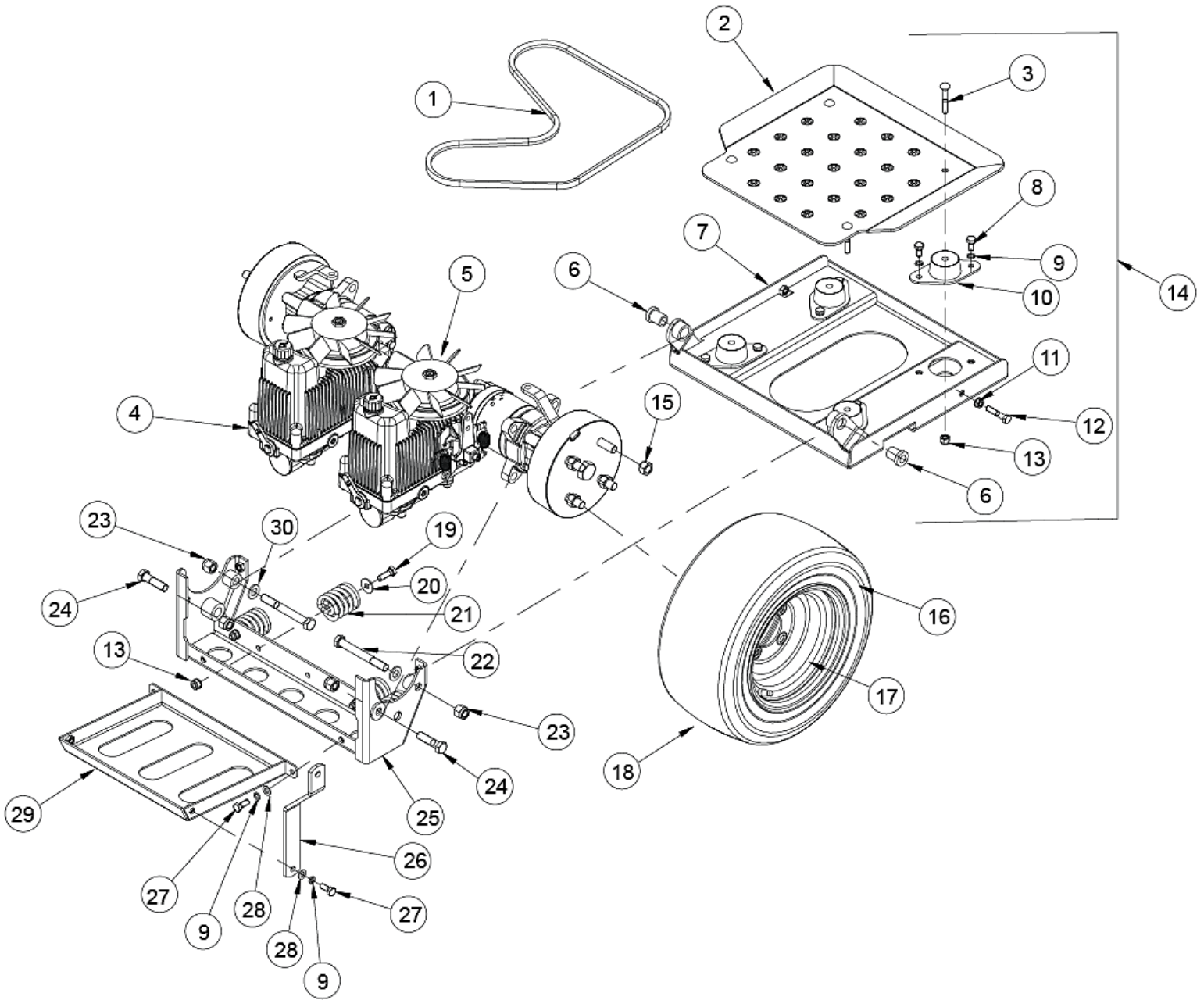
PARK BRAKE ASSEMBLY



PARK BRAKE ASSEMBLY

ITEM	PART NO.	DESCRIPTION
1	363022	ADJ. LEVER GRIP
2	462159-1	WLD, 36 SO PARK BRAKE LEVER
3	B5783-820	SCREW, HH TAP M8 X 20
4	B93-8	LOCKWASHER 8
5	B96-8	WASHER 8
6	463536	SPACER, BRAKE LEVER
7	B5787-630	HEX FLANGE HD BOLT M6 X 30
8	5208103	NUT RACK
9	B6182-8	NUT, NYLOC M8
10	462174-1	WLD, NEUTRAL LOCK PAWL
11	B5782-8120	BOLT M8 X 120
12	363155	OPC SPRING
13	462172-1	WLD, RH BRAKE LEVER BRKT
14	463535	BEARING, TWO BOLT 17MM
15	B97.1-6	WASHER 6
16	B6182-6	NUT, NYLOC M6
17	463513	SWITCH, NO/NO PARK
18	B823-516	SCREW M5 X 16
19	B1096-618	SQUARE KEY 6 X 18
20	464088	ASM, BRAKE CONTROL ROD
21	463288	ROD, 36 SO BRAKE
22	5206003	CONNECTING YOKE
23	B6171-10	NUT M10 X 1
24	B882-1030	PIN, M10 X 30 CLEVIS
25	B97.1-10	WASHER, FLAT M10
26	XSZ56-1-17	HAIR PIN
27	B97.1-8	WASHER 8
28	462173-1	WLD, LH BRAKE LEVER BRKT
29	462160-1	WLD, BRAKE SHAFT
30	464089	ASM, BRAKE LINK
31	463538	SPRING, TORSION
32	106763	1/8 X 1-1/4 COTTER PIN
33	2800017	COMPRESSION SPRING
34	2806010	NYLON BUSHING
35	2800020	BRAKE SWIVEL
36	B97.1-20	WASHER 20
37	463289	LINK, 36 SO BRAKE
38	462171-1	WLD, BRAKE LOCK SHAFT

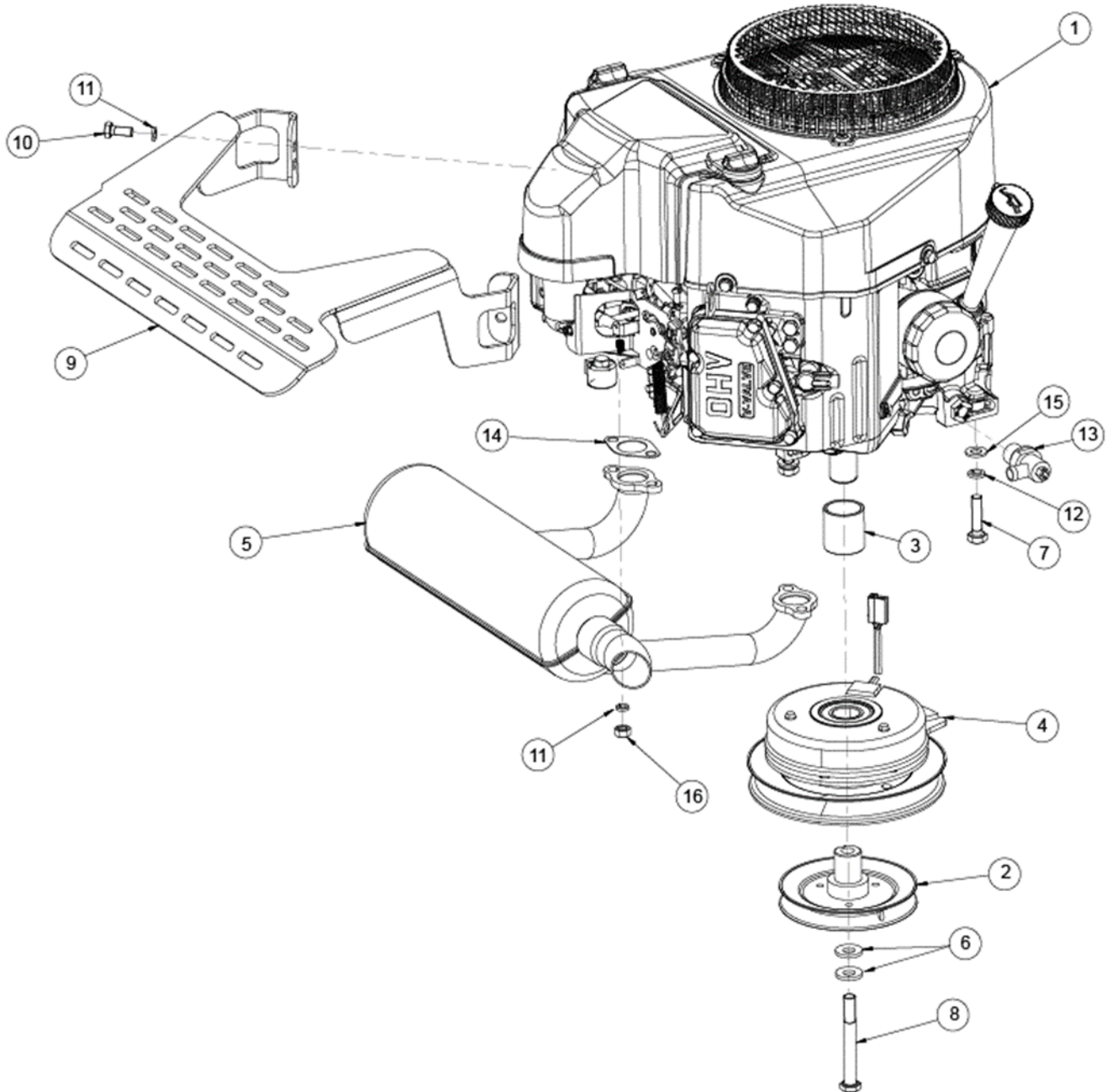
DRIVE ASSEMBLY



DRIVE ASSEMBLY

ITEM	PART NO.	DESCRIPTION
1	463178	BELT, PUMP DRIVE
2	463532-2	PAN, FOOT ISO
3	B12-850	BOLT, M8 X 50
4	463326	HTE TRANSAXLE RH – MODEL #HTE10D195B4FKKCA000
5	463325	HTE TRANSAXLE LH – MODEL #HTE10C195B4DKKCA000
6	463209	BUSHING, FOOT PLATE
7	462134-2	WLD, FOOT PLATE
8	B5783-816	SCREW, HH TAP M8x16
9	B93-8	LOCKWASHER 8
10	543181	ISO MOUNT, SEAT
11	B6172-8	NUT, THIN HEX M8
12	B5782-840	BOLT M8 X 40
13	B6182-8	NUT, NYLOC M8
14	464066	ASM, FOOT PLATE
15	103023	1/2-20 X 60 T LUG NUT
16	463310	TIRE, 18 - 8.50 X 10 DRIVE – 36”
	463482	TIRE, 18 X 7.50 - 10 DRIVE – 32”
17	463458	RIM, WHT 10 X 7 W/VALVE – 36”
	463519	RIM, FOUR HOLES WHT, 10 X 6.00 – 32”
18	462181	ASM, 36 SO DRIVE WHEEL WHT
	462183	ASM, 32 SO DRIVE WHEEL WHT
19	B5783-825	HEX HD BOLT M8 X 25
20	B96-8	WASHER 8
21	463524	SPRING, COMPRESSED
22	B5782-12100	SCREW, HH M12 X 100
23	B6182-12	NUT, NYLOC M12
24	B5782-1245	SCREW, HH M12 X 45
25	464061	ASM, LOWER AXLE MOUNT
26	462136-1	WLD, AXLE PAN STRAP
27	B5783-820	SCREW, HH TAP M8 X 20
28	B97.1-8	WASHER 8
29	462135-1	WLD, AXLE PAN
30	B97.1-12	WASHER 12
31	B93-12	LOCKWASHER M12

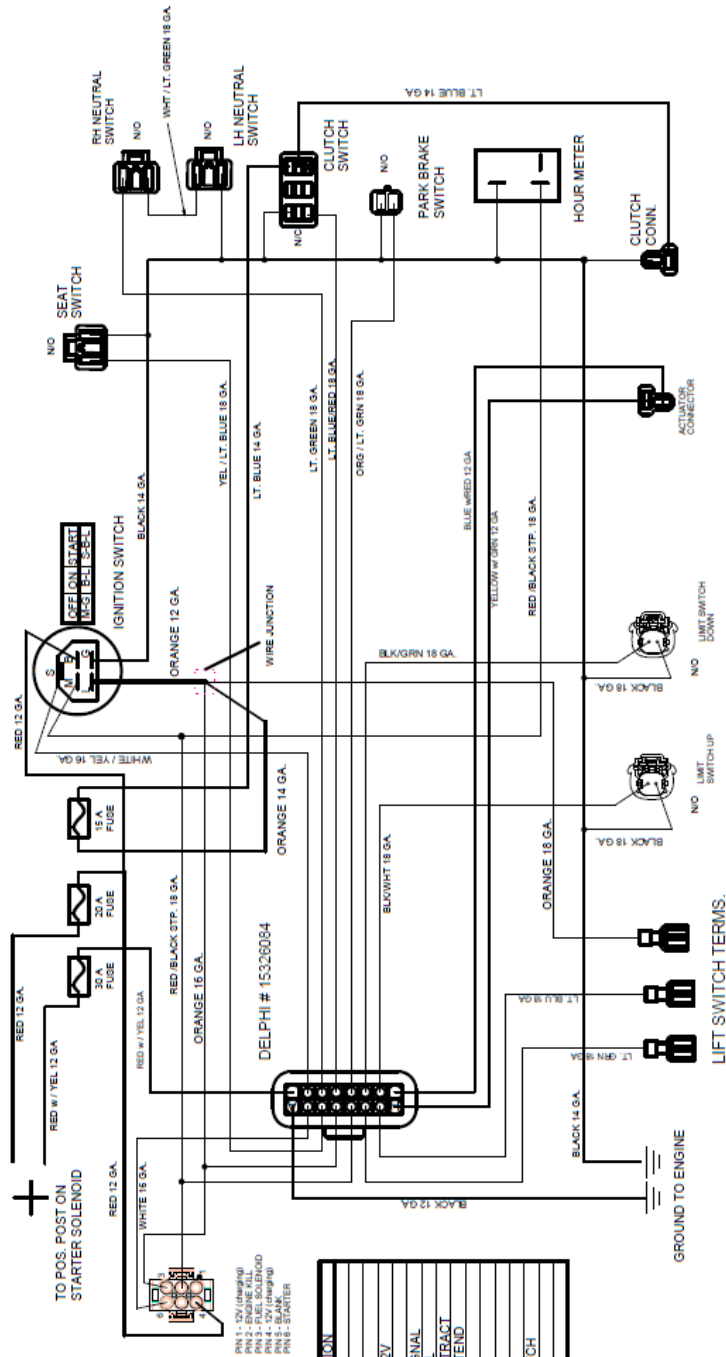
ENGINE GROUP



ENGINE GROUP

ITEM	PART NO.	DESCRIPTION
1	FOR REFERENCE ONLY	ENGINE, KAW FS600V
2	462151	WLD, PUMP DRIVE PULLEY
3	463219	SPACER, 36 SO CLUTCH
4	463564	CLUTCH, 5219-54C
5	853171	MUFFLER - FS600V KAW
6	5201061	WASHER
7	100294	3/8-16 X 1-1/2 HHCS
8	2807016B	BOLT 7/16-20UNFX3-1/2
9	462195	ASM, MUFFLER COVER WITH DECAL
10	B5783-820	SCREW, HH TAP M8x20
11	B93-8	LOCKWASHER 8
12	B93-10	SPLIT LOCK WASHER M10
13	343146	90 DEGREE DRAIN -KAW BLK
14	423324	MUFFLER GASKET - 15,17 HP KAW
15	B97.1-10	WASHER, FLAT M10
16	B6170-8	NUT M8

WIRE HARNESS

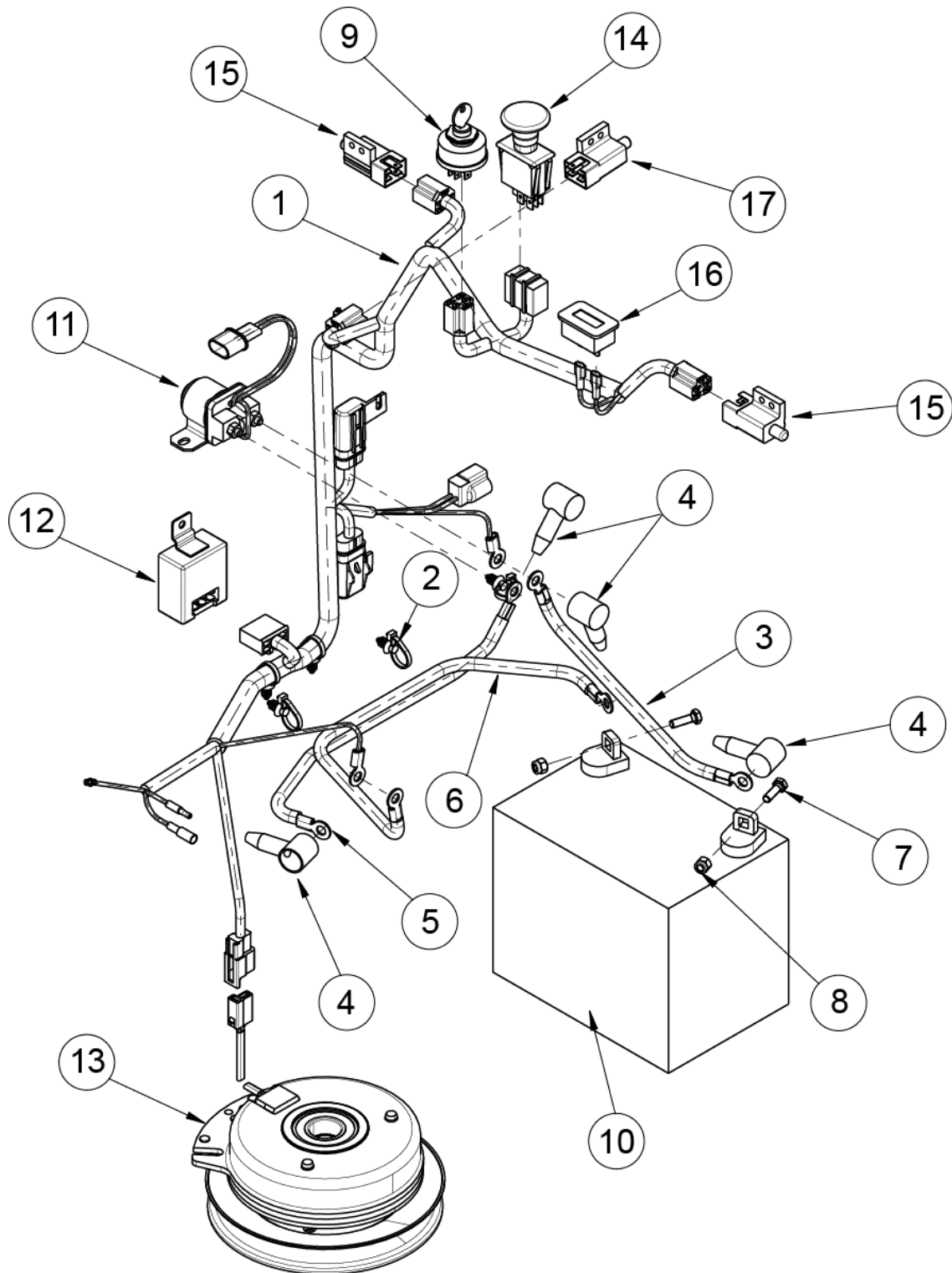


PN 1 - 2V (charging)
 PN 2 - 2V (charging)
 PN 3 - FUEL SOLENOID
 PN 4 - 2V (charging)
 PN 5 - STARTER

WIRE COLOR	POINT	FUNCTION
BLACK	A	GROUND
WHITE	B	START OUT
WHITE	C	SEAT SWITCH
YEL./LT. BLUE	D	KEY SWITCH 12V
ORANGE	E	MAG
RED/BLACK STP.	F	LIFT DOWN SIGNAL
LT. GRN	G	LIFT UP SIGNAL
LT. GRN	H	MOTOR DR. RETRACT
YELLOW w/ GRN	I	MOTOR DR. EXTEND
LT. GRN	J	LIFT DOWN
BLK/WH	K	LIMIT DOWN
BLK/WH	L	LIMIT UP
ORG./LT. GRN	M	PARK SWITCH
LT. BLUE/RED	N	PTO SWITCH
LT. GRN	O	NEUTRAL SWITCH
WHITE/YEL	P	START IN
RED w/ YEL.	Q	BATT 12V

ALL VIEWS OF CONNECTORS ARE FROM WIRE-IN SIDE

ELECTRICAL GROUP



ELECTRICAL GROUP

ITEM	PART NO.	DESCRIPTION
1	463137	HARNESS, 36 SO WIRE
2	543389	CLIP, LOOM ZIP-TIE
3	2808103	POSITIVE POLE CABLE
4	2808107	COVER
5	3609004	MOTOR POLE POST
6	5208013	NEGATIVE POLE
7	B5783-620	SCREW, HH TAP M6x20
8	B6182-6	NUT, NYLOC M6
9	423027	IGNITION SWITCH
10	FOR REFERENCE ONLY	BATTERY, 12V U1 300CCA
11	463234	RELAY, START
12	463235	MODULE, CSO SAFETY
13	463564	CLUTCH, 5219-54C
14	523031	PTO SWITCH
15	523034	PARK SWITCH
16	523283	HOUR METER
17	463513	SWITCH, NO/NO PARK

DECAL GROUP



8303



8318



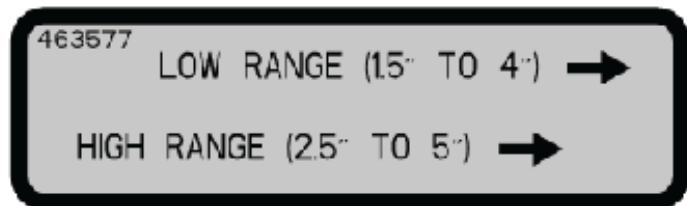
453389



453390



8307



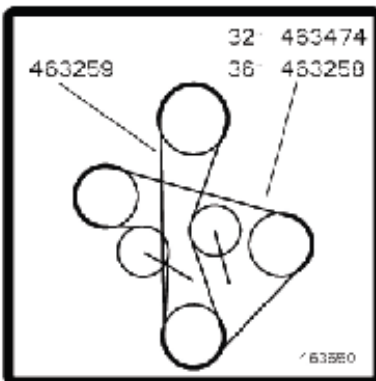
463577



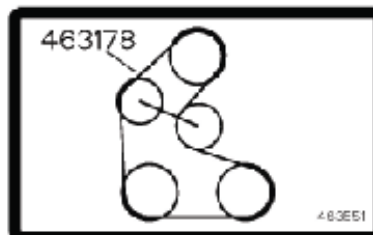
543380



363356



463550



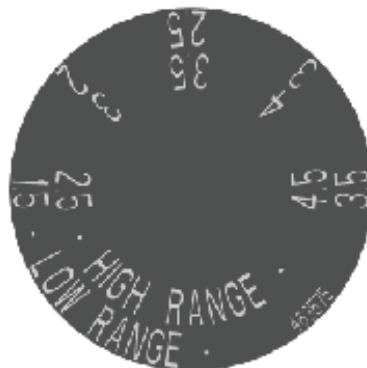
463551



323038



543397

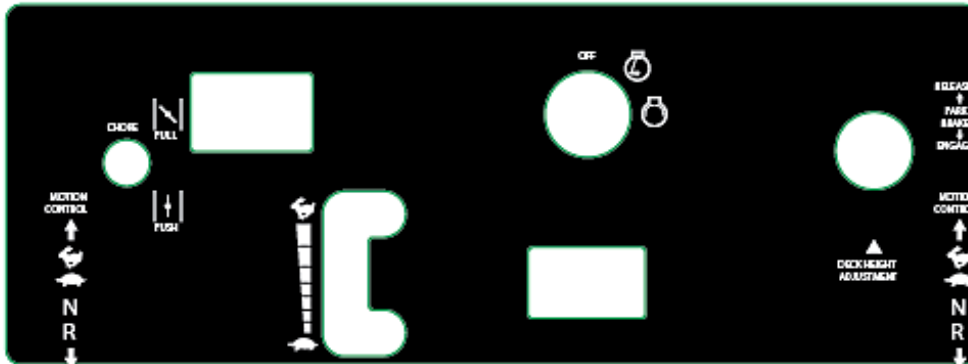


463575



363023

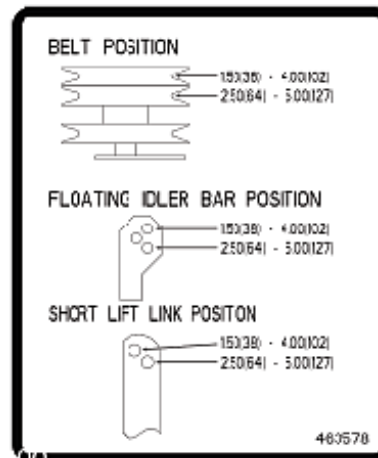
DECAL GROUP



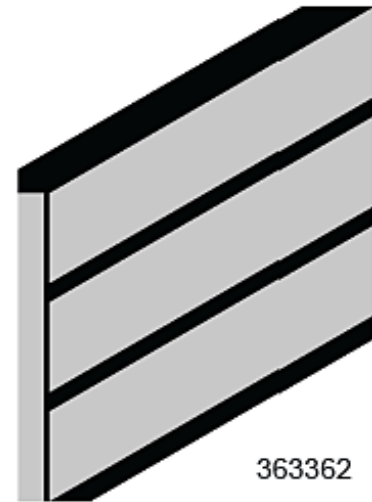
463043



8008



463578



363362

ENCORE **RAGE**

363243

453369

ENCORE

543470

ENCORE

363231



**ALL RIGHTS RESERVED
CONTENTS SUBJECT TO CHANGE**

**ER32FS600VL ER36FS600VL – PARTS MANUAL
STANDON 202010**