

# PARTS LIST

## H23DF

### CONTENTS

1. MAIN BOY ~2021.05 .....	1
1A. MAIN BODY 2021.06~ .....	5
2. ENGINE .....	9
3. CARBURETOR, FUEL TANK .....	13
4. ACCESSORIES .....	17

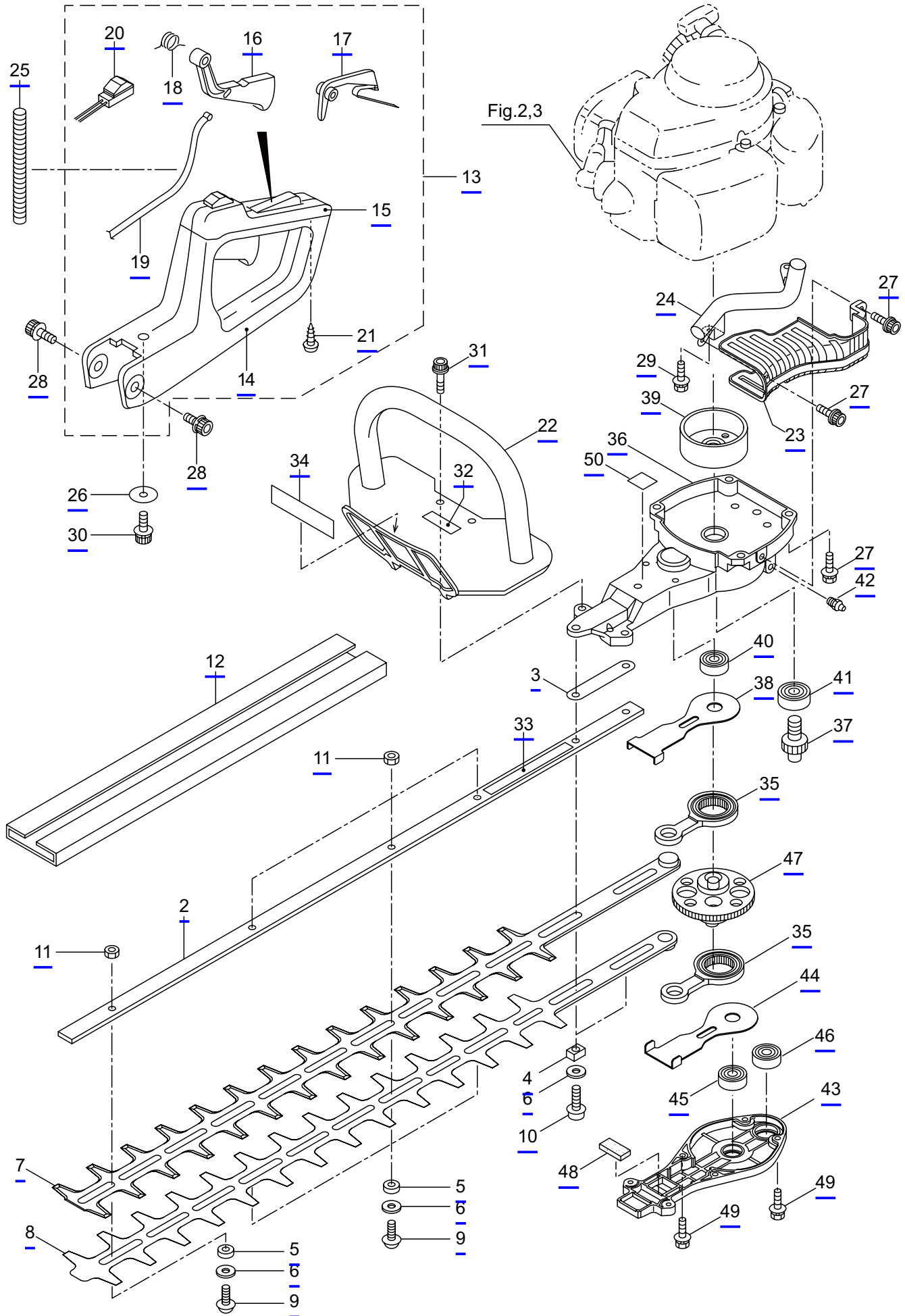
2023. 07.



P/N 524330-1

# H23DF

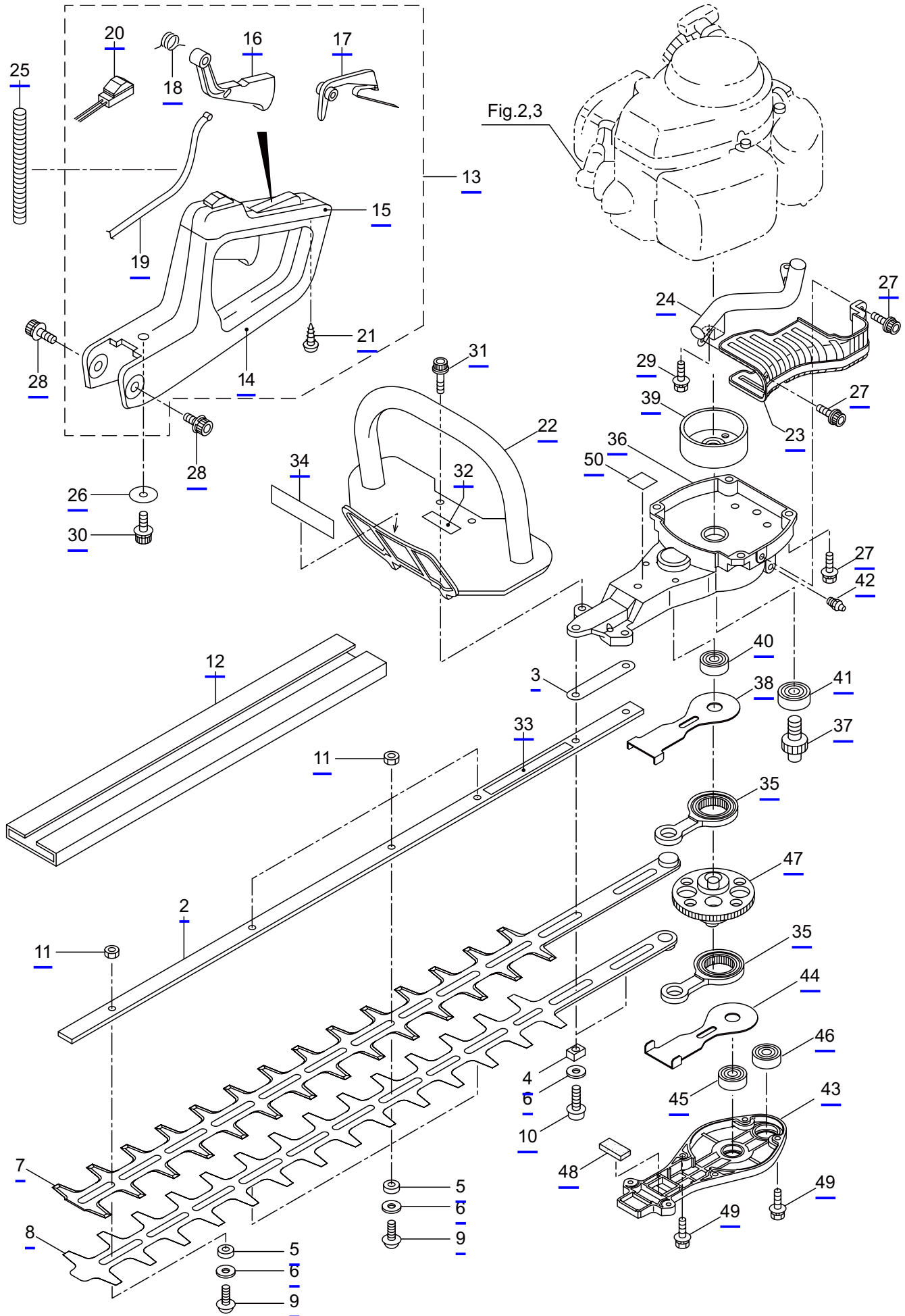
## 1. MAIN BOY ~2021.05



Ref. No.	Part No.	Part Name	Q'ty	Remarks
1-1	<a href="#">362404</a>	<a href="#">H23DF</a>	1	
1-2	<a href="#">277418</a>	Guide Plate	1	
1-3	<a href="#">271888</a>	Spacer Plate	1	
1-4	<a href="#">271889</a>	Spacer	2	
1-5	<a href="#">277421</a>	Spacer	4	
1-6	<a href="#">271890</a>	Washer	6	
1-7	<a href="#">271891</a>	Upper Blade	1	
1-8	<a href="#">271892</a>	Lower Blade	1	
1-9	<a href="#">277530</a>	Screw	4	
1-10	<a href="#">271897</a>	Screw	2	
1-11	<a href="#">271899</a>	Nut	4	
1-12	<a href="#">271901</a>	Cover of Blade	1	
1-13	<a href="#">277397</a>	Rear Handle Ass'y	1	Incl.14-21
1-14	<a href="#">277405</a>	Rear Handle	1	
1-15	<a href="#">277406</a>	Upper Cover	1	
1-16	<a href="#">277407</a>	Throttle Lever	1	
1-17	<a href="#">277408</a>	Stop Lever	1	
1-18	<a href="#">277409</a>	Spring	1	
1-19	<a href="#">277410</a>	Cable Comp	1	
1-20	<a href="#">277411</a>	Switch	1	
1-21	<a href="#">277412</a>	Screw	1	
1-22	<a href="#">271905</a>	Front Handle	1	
1-23	<a href="#">271906</a>	Tail Pipe Cover	1	
1-24	<a href="#">271907</a>	Tail Pipe Comp	1	
1-25	<a href="#">271221</a>	Tube	1	
1-26	<a href="#">270843</a>	Washer	1	25x6xt1.6
1-27	<a href="#">271908</a>	Screw	6	
1-28	<a href="#">271909</a>	Screw	2	
1-29	<a href="#">271910</a>	Screw	1	
1-30	<a href="#">271911</a>	Screw	1	
1-31	<a href="#">271912</a>	Screw	2	
1-32	<a href="#">223925</a>	Label	1	Grease up
1-33	<a href="#">591450</a>	Label	1	
1-34	<a href="#">591449</a>	Label	1	
1-35	<a href="#">271914</a>	Rod Ass'y	2	
1-36	<a href="#">271918</a>	Upper Case	1	
1-37	<a href="#">271919</a>	Pinion	1	
1-38	<a href="#">271920</a>	Plate	1	
1-39	<a href="#">270021</a>	Drum	1	
1-40	<a href="#">271921</a>	Bearing	1	
1-41	<a href="#">580767</a>	Bearing	1	#6001 2RS
1-42	<a href="#">991937</a>	Grease Nipple	1	M6
1-43	<a href="#">271923</a>	Lower Case	1	
1-44	<a href="#">271924</a>	Plate	1	
1-45	<a href="#">270423</a>	Bearing	1	

# H23DF

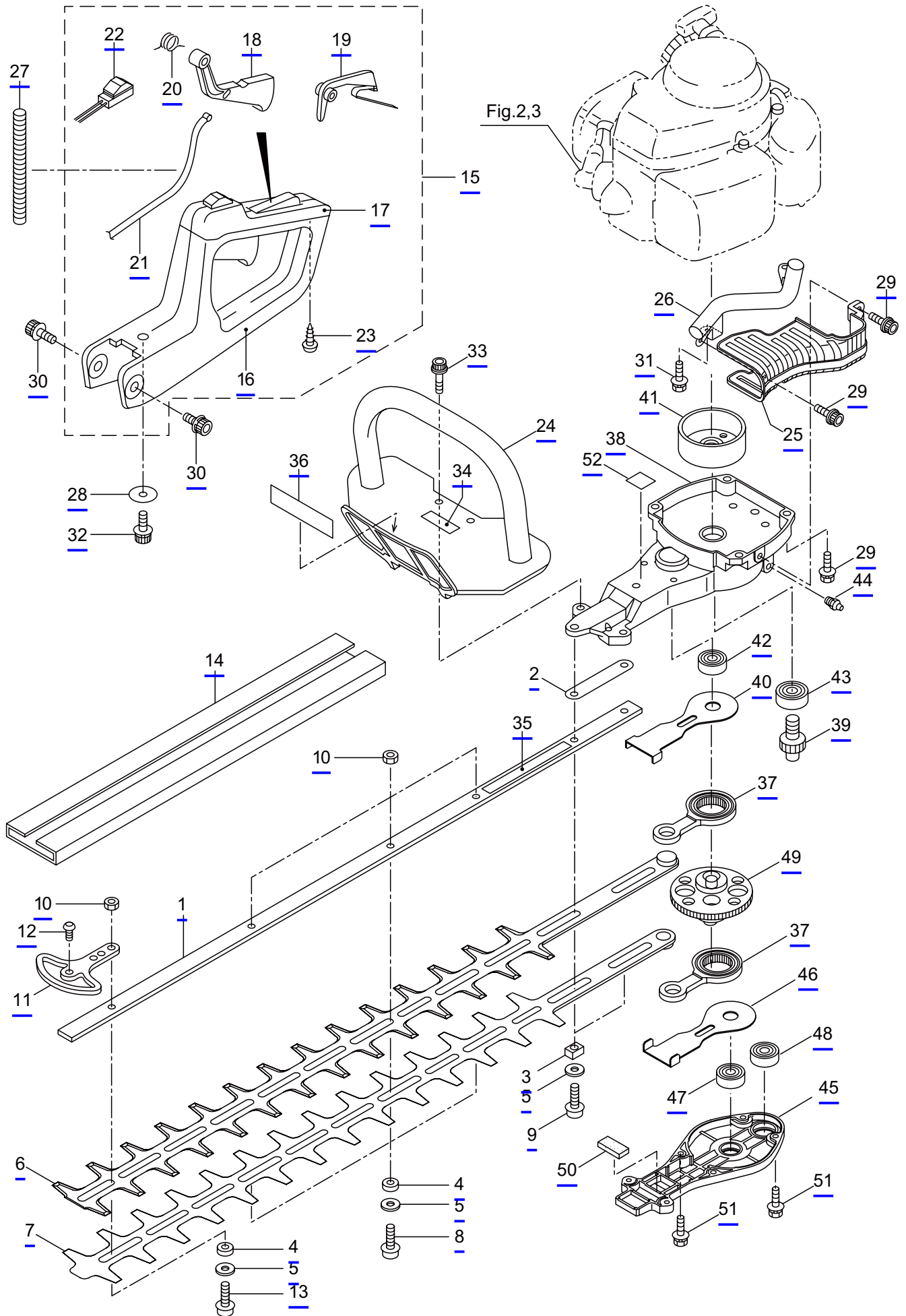
## 1. MAIN BOY ~2021.05





H23DF

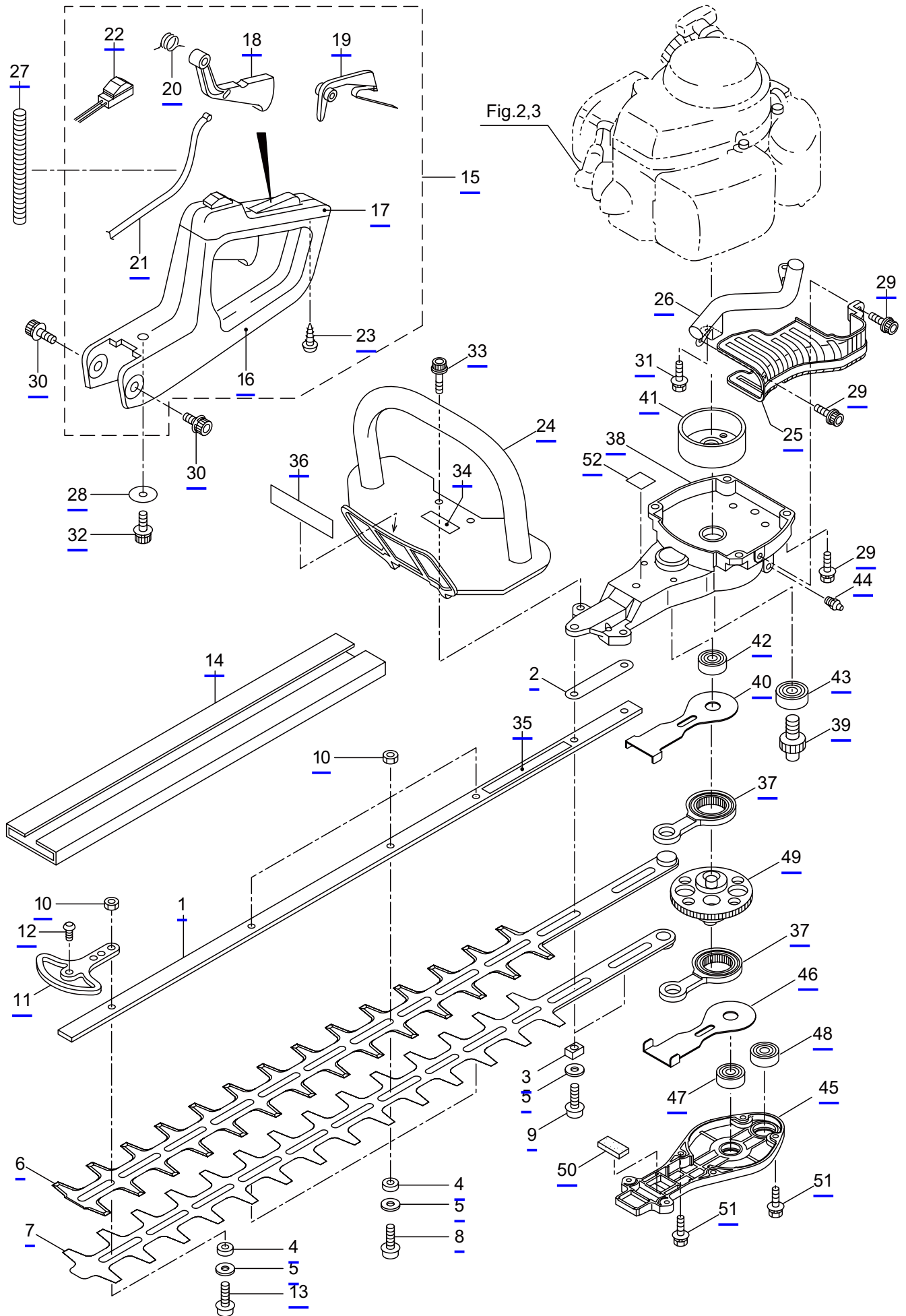
1A. MAIN BODY 2021.06~



Ref. No.	Part No.	Part Name	Q'ty	Remarks
1A-1	<a href="#">277418</a>	Guide Plate	1	
1A-2	<a href="#">271888</a>	Spacer Plate	1	
1A-3	<a href="#">271889</a>	Spacer	2	
1A-4	<a href="#">277421</a>	Spacer	4	
1A-5	<a href="#">271890</a>	Washer	6	
1A-6	<a href="#">271891</a>	Upper Blade	1	
1A-7	<a href="#">271892</a>	Lower Blade	1	
1A-8	<a href="#">271896</a>	Screw	3	
1A-9	<a href="#">271897</a>	Screw	2	
1A-10	<a href="#">271899</a>	Nut	4	
1A-11	<a href="#">278720</a>	Chip Guard	1	
1A-12	<a href="#">278721</a>	Screw	1	
1A-13	<a href="#">248407</a>	Screw	1	
1A-14	<a href="#">271901</a>	Cover of Blade	1	
1A-15	<a href="#">277397</a>	Rear Handle Ass'y	1	Incl.16-23
1A-16	<a href="#">277405</a>	Rear Handle	1	
1A-17	<a href="#">277406</a>	Upper Cover	1	
1A-18	<a href="#">277407</a>	Throttle Lever	1	
1A-19	<a href="#">277408</a>	Stop Lever	1	
1A-20	<a href="#">277409</a>	Spring	1	
1A-21	<a href="#">277410</a>	Cable Comp	1	
1A-22	<a href="#">277411</a>	Switch	1	
1A-23	<a href="#">277412</a>	Screw	1	
1A-24	<a href="#">271905</a>	Front Handle	1	
1A-25	<a href="#">271906</a>	Tail Pipe Cover	1	
1A-26	<a href="#">271907</a>	Tail Pipe Comp	1	
1A-27	<a href="#">271221</a>	Tube	1	
1A-28	<a href="#">270843</a>	Washer	1	25x6xt1.6
1A-29	<a href="#">271908</a>	Screw	6	
1A-30	<a href="#">271909</a>	Screw	2	
1A-31	<a href="#">271910</a>	Screw	1	
1A-32	<a href="#">271911</a>	Screw	1	
1A-33	<a href="#">271912</a>	Screw	2	
1A-34	<a href="#">223925</a>	Label	1	Grease up
1A-35	<a href="#">591450</a>	Label	1	
1A-36	<a href="#">591449</a>	Label	1	
1A-37	<a href="#">271914</a>	Rod Ass'y	2	
1A-38	<a href="#">271918</a>	Upper Case	1	
1A-39	<a href="#">271919</a>	Pinion	1	
1A-40	<a href="#">271920</a>	Plate	1	
1A-41	<a href="#">270021</a>	Drum	1	
1A-42	<a href="#">271921</a>	Bearing	1	
1A-43	<a href="#">580767</a>	Bearing	1	#6001 2RS
1A-44	991937	Grease Nipple	1	M6
1A-45	<a href="#">271923</a>	Lower Case	1	

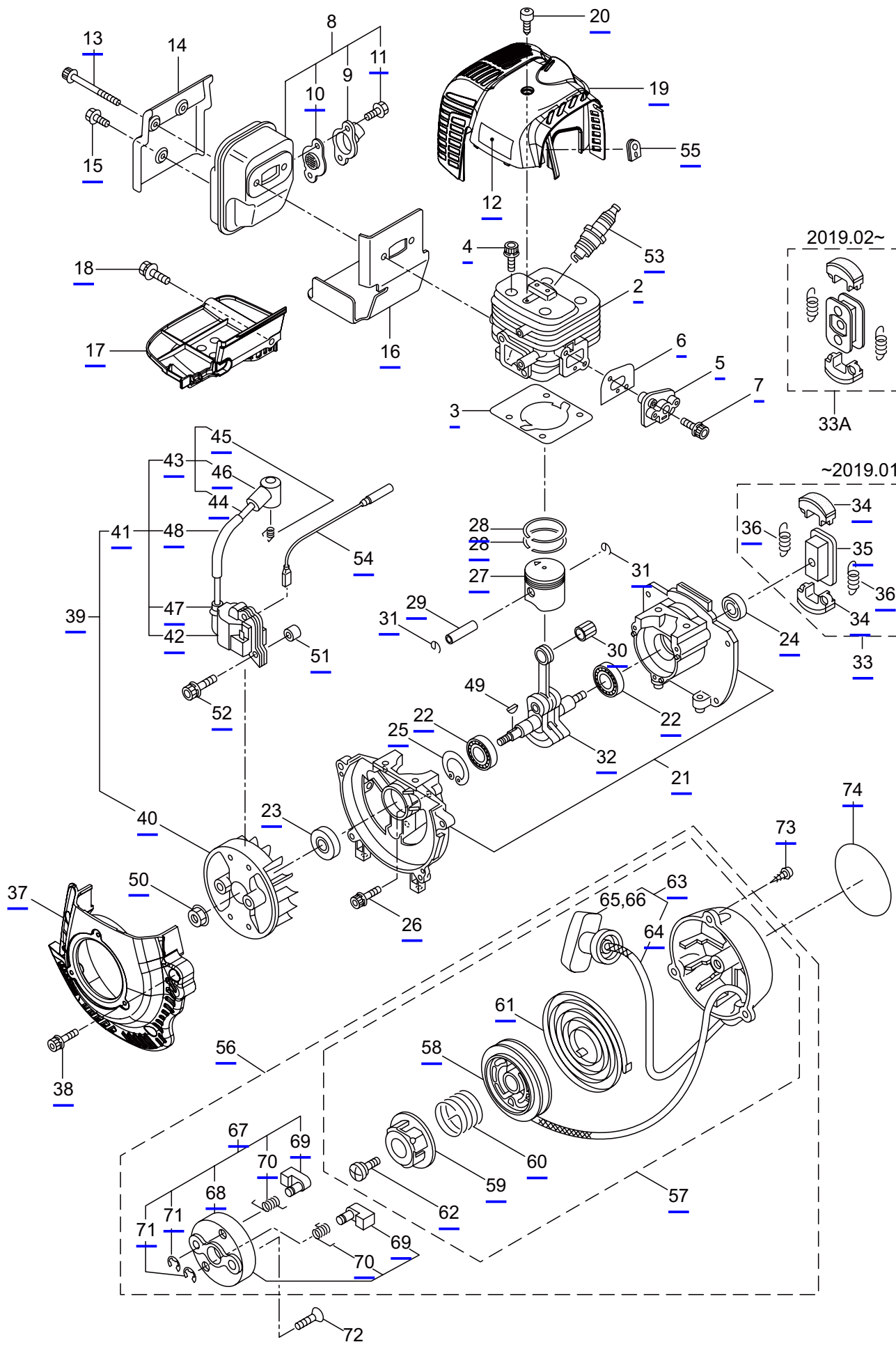
H23DF

1A. MAIN BODY 2021.06~



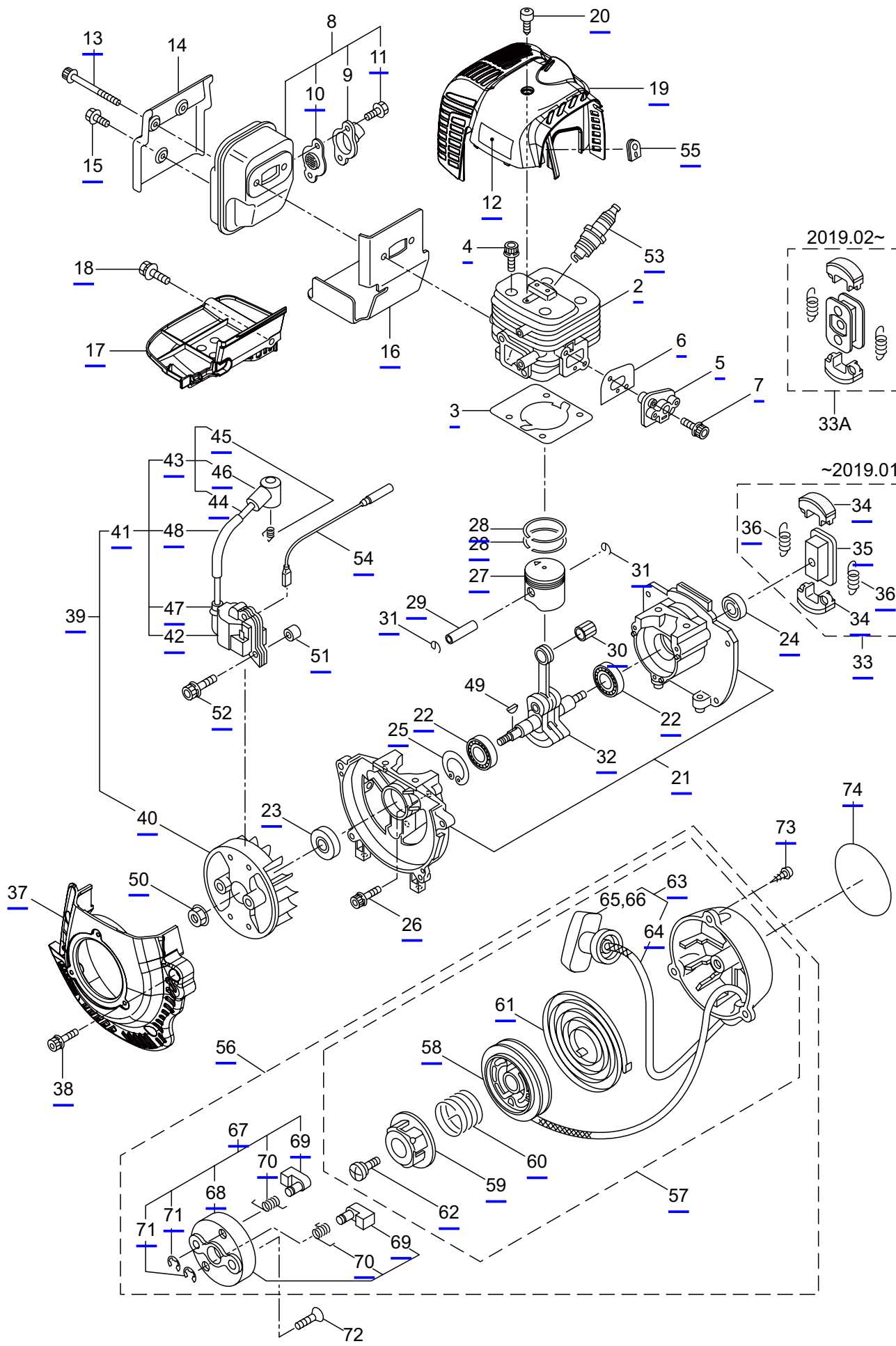


H23DF  
2. ENGINE



Ref. No.	Part No.	Part Name	Q'ty	Remarks
2-1	859894	Engine	1	CE230H/04
2-2	<a href="#">288499</a>	Cylinder	1	
2-3	<a href="#">286074</a>	Gasket	1	
2-4	<a href="#">261250</a>	Cap Screw	4	M5x20
2-5	<a href="#">265802</a>	Insulator	1	New gasket required
2-6	<a href="#">267049</a>	Gasket	1	
2-7	<a href="#">265924</a>	Cap Screw	2	M5x25
2-8	<a href="#">277023</a>	Muffler Ass'y	1	Incl.9-11
2-9	<a href="#">288503</a>	Muffler Tail	1	
2-10	<a href="#">288504</a>	Spark Arrestor	1	
2-11	<a href="#">288542</a>	Screw	2	M4x8
2-12	<a href="#">277031</a>	Label	1	<a href="#">H23DF</a>
2-13	<a href="#">266402</a>	Cap Screw	2	M5x55
2-14	<a href="#">275562</a>	Muffler Guard	1	
2-15	<a href="#">288542</a>	Screw	1	M4x8
2-16	<a href="#">275561</a>	Gasket	1	
2-17	<a href="#">275560</a>	Under Cover	1	
2-18	<a href="#">267191</a>	Cap Screw	1	M5x16
2-19	<a href="#">276564</a>	Top Cover Comp	1	
2-20	<a href="#">286399</a>	Knob	1	M5
2-21	<a href="#">288537</a>	Crankcase	1	
2-22	<a href="#">280488</a>	Bearing	2	PPL 6001
2-23	<a href="#">261492</a>	Oil Seal	1	ISCD12287
2-24	<a href="#">261386</a>	Oil Seal	1	ISCD12227
2-25	<a href="#">055185</a>	Snap Ring	1	#28
2-26	<a href="#">261246</a>	Cap Screw	3	M5x25
2-27	<a href="#">283379</a>	Piston	1	
2-28	<a href="#">282177</a>	Piston Ring	2	
2-29	<a href="#">261036</a>	Piston Pin	1	
2-30	<a href="#">263957</a>	Bearing, Needle	1	KTV81112EG01 B2
2-31	<a href="#">261576</a>	Clip,Piston	2	
2-32	<a href="#">288511</a>	Crankshaft/Conn.Rod Ass'y	1	
2-33	<a href="#">280404</a>	Clutch Ass'y	1	Incl.34-36 -2019.01
2-33A	<a href="#">246054</a>	Clutch Ass'y	1	2019.02-
2-34	<a href="#">280568</a>	Clutch Shoe	2	(2)required
2-35	<a href="#">280569</a>	Clutch Boss	1	
2-36	<a href="#">280570</a>	Spring	2	(2)required
2-37	<a href="#">275557</a>	Fan Cover	1	
2-38	<a href="#">261250</a>	Cap Screw	4	M5x20
2-39	<a href="#">288514</a>	Magneto Ass'y	1	Incl.40-48
2-40	<a href="#">288515</a>	Rotor/Fan	1	
2-41	<a href="#">288516</a>	Ignition Coil Ass'y	1	Incl.42-48
2-42	<a href="#">289483</a>	Coil	1	
2-43	<a href="#">289484</a>	Spark Plug Wire Ass'y	1	Incl.44-46
2-44	<a href="#">289485</a>	Spark Plug Wire	1	

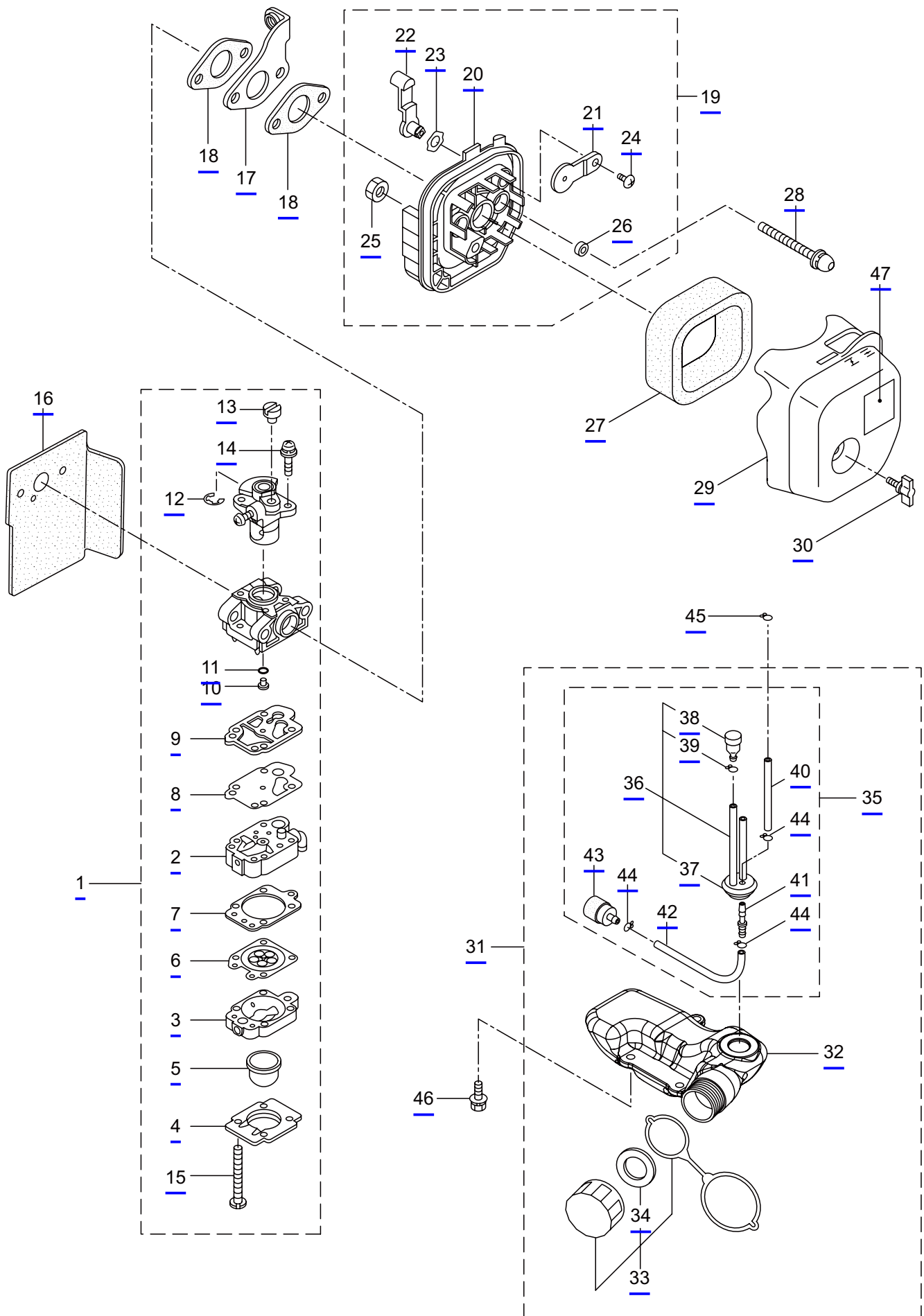
H23DF  
2. ENGINE



Ref. No.	Part No.	Part Name	Q'ty	Remarks
2-45	<a href="#">272805</a>	Connector	1	
2-46	<a href="#">283178</a>	Plug Boot	1	
2-47	<a href="#">283271</a>	Cap	1	
2-48	<a href="#">289486</a>	Insulator	1	
2-49	<a href="#">261076</a>	Woodruff Key	1	3x10
2-50	<a href="#">261417</a>	Nut,Rotor	1	M8
2-51	<a href="#">280381</a>	Spacer	2	
2-52	<a href="#">261256</a>	Cap Screw	2	M4x25
2-53	<a href="#">285982</a>	Spark Plug	1	NGK <a href="#">BPM8Y</a>
2-54	<a href="#">261772</a>	Lead	1	
2-55	<a href="#">283140</a>	Grommet	1	
2-56	<a href="#">283171</a>	Recoil Starter Ass'y	1	Incl.57-71
2-57	<a href="#">283172</a>	Starter Ass'y	1	Incl.58-66
2-58	<a href="#">286363</a>	Reel	1	
2-59	<a href="#">286364</a>	Cam Plate	1	
2-60	<a href="#">283290</a>	Spring	1	
2-61	<a href="#">280931</a>	Spiral Spring	1	
2-62	<a href="#">267213</a>	Screw	1	
2-63	<a href="#">283291</a>	Rope Ass'y	1	Incl.64-66
2-64	<a href="#">283292</a>	Starter Rope	1	
2-65	<a href="#">261725</a>	Starter Grip	1	
2-66	<a href="#">283293</a>	Rope Stopper	1	
2-67	<a href="#">283173</a>	Starter Pulley Ass'y	1	Incl.68-71
2-68	<a href="#">283294</a>	Starter Pulley	1	
2-69	<a href="#">280936</a>	Ratchet	2	
2-70	<a href="#">283295</a>	Spring	2	
2-71	<a href="#">020299</a>	E-Ring	2	#4
2-72	<a href="#">264535</a>	Screw	2	M6x20
2-73	<a href="#">280144</a>	Tapping Screw	3	
2-74	<a href="#">277030</a>	Label	1	<a href="#">H23DF</a>

# H23DF

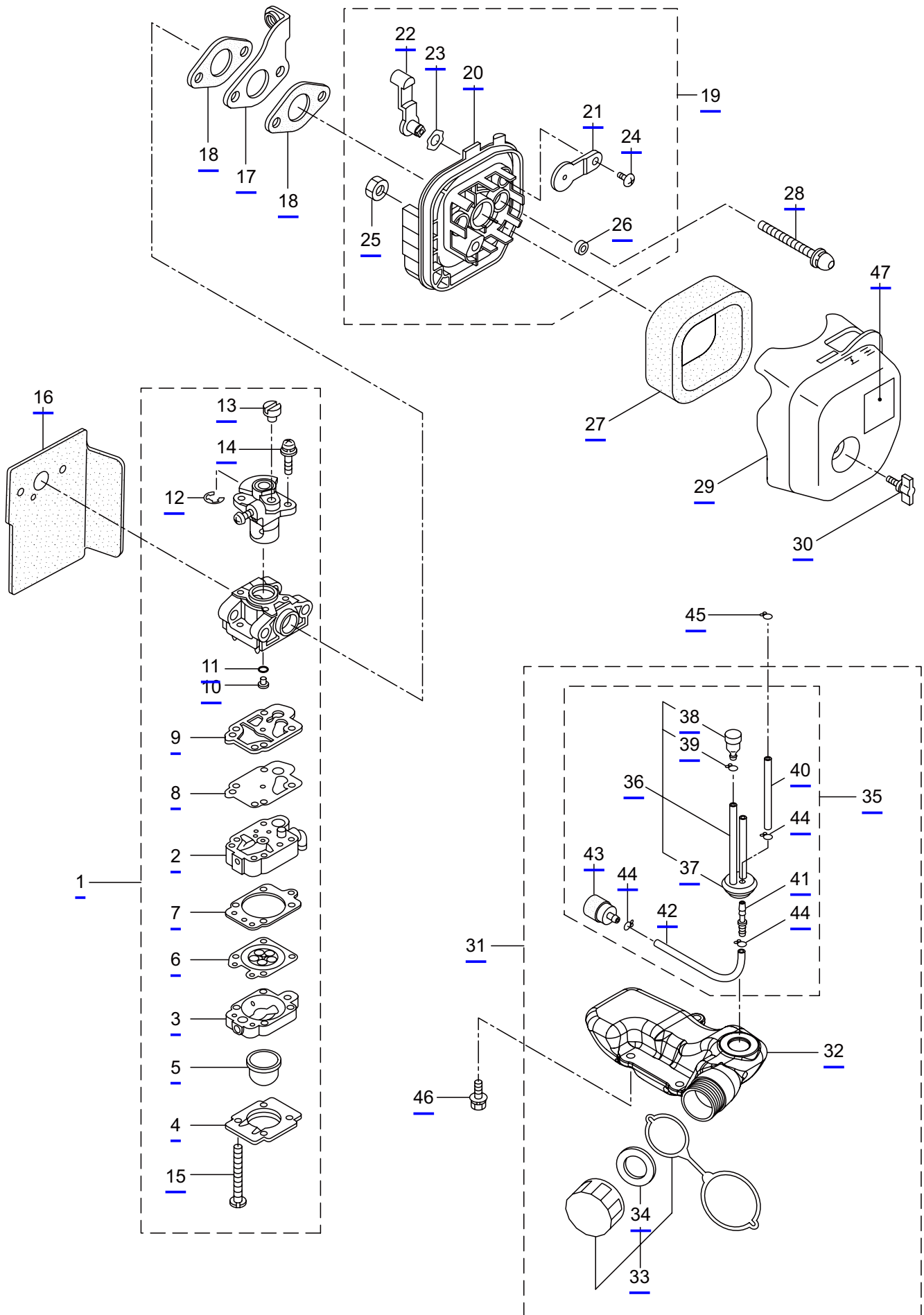
## 3. CARBURETOR, FUEL TANK



Ref. No.	Part No.	Part Name	Q'ty	Remarks
3-1	<a href="#">277126</a>	Carburetor Ass'y	1	Incl.2-15
3-2	<a href="#">268499</a>	Pump Body	1	
3-3	<a href="#">262991</a>	Purge Body	1	
3-4	<a href="#">262992</a>	Cover Plate	1	
3-5	<a href="#">261874</a>	Primer Bulb	1	
3-6	<a href="#">283905</a>	Diaphragm, Meterring	1	
3-7	<a href="#">262993</a>	Gasket	1	
3-8	<a href="#">262994</a>	Diaphragm,Fuel Pump	1	
3-9	<a href="#">282576</a>	Gasket	1	
3-10	<a href="#">289396</a>	Main Jet	1	
3-11	<a href="#">261871</a>	O-Ring	1	
3-12	<a href="#">261876</a>	E-Ring	1	
3-13	<a href="#">261658</a>	Swivel	1	
3-14	<a href="#">264682</a>	Screw	2	
3-15	<a href="#">262996</a>	Screw	4	
3-16	<a href="#">288517</a>	Gasket	1	Incl.20-26
3-17	<a href="#">283773</a>	Stay	1	
3-18	<a href="#">283771</a>	Gasket	2	
3-19	<a href="#">289048</a>	Case Ass'y	1	
3-20	<a href="#">269050</a>	Case Body	1	
3-21	<a href="#">289019</a>	Valve	1	6.4x11x0.15
3-22	<a href="#">284803</a>	Lever	1	
3-23	<a href="#">284816</a>	Washer	1	
3-24	<a href="#">269032</a>	Screw	1	
3-25	<a href="#">126993</a>	Nut	1	
3-26	<a href="#">269051</a>	Sleeve	2	M5x55
3-27	<a href="#">277320</a>	Element	1	
3-28	<a href="#">262720</a>	Cap Screw	2	
3-29	<a href="#">283772</a>	Cleaner Cover	1	
3-30	<a href="#">281438</a>	Knob	1	
3-31	<a href="#">277028</a>	Fuel Tank Ass'y	1	Incl.32-44
3-32	<a href="#">275618</a>	Fuel Tank	1	Incl.34
3-33	<a href="#">289046</a>	Tank Cap Ass'y	1	
3-34	<a href="#">287058</a>	Gasket	1	Incl.36-44
3-35	<a href="#">289279</a>	Fuel Pipe Pick-up Ass'y	1	
3-36	<a href="#">289280</a>	Fuel Pipe Ass'y	1	Incl.37-39
3-37	<a href="#">268065</a>	Grommet	1	
3-38	<a href="#">289451</a>	Breather	1	
3-39	<a href="#">261117</a>	Clip	1	
3-40	<a href="#">289028</a>	Pipe A	1	
3-41	<a href="#">288921</a>	Joint	1	3x5x125L
3-42	<a href="#">289029</a>	Pipe	1	
3-43	<a href="#">264653</a>	Filter Ass'y	1	
3-44	<a href="#">261117</a>	Clip	3	
3-45	<a href="#">261117</a>	Clip	1	

H23DF

3. CARBURETOR, FUEL TANK





4. ACCESSORIES

