

# PARTS LIST

## H23DFR

### CONTENTS

1. PARTS KIT .....	1
2. MAIN BODY .....	3
3. ENGINE .....	7
4. CARBURETOR, FUEL TANK .....	11
5. ACCESSORIES .....	13

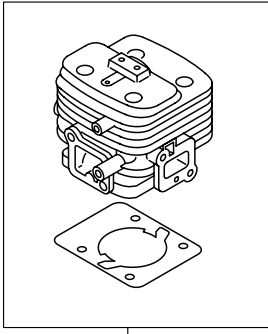
2023. 07.



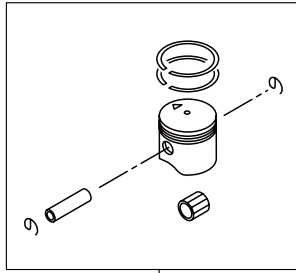
**MARUYAMA**

P/N 524356-2

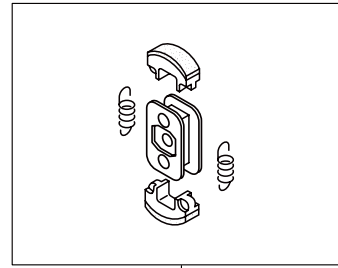
H23DFR  
1.PARTS KIT



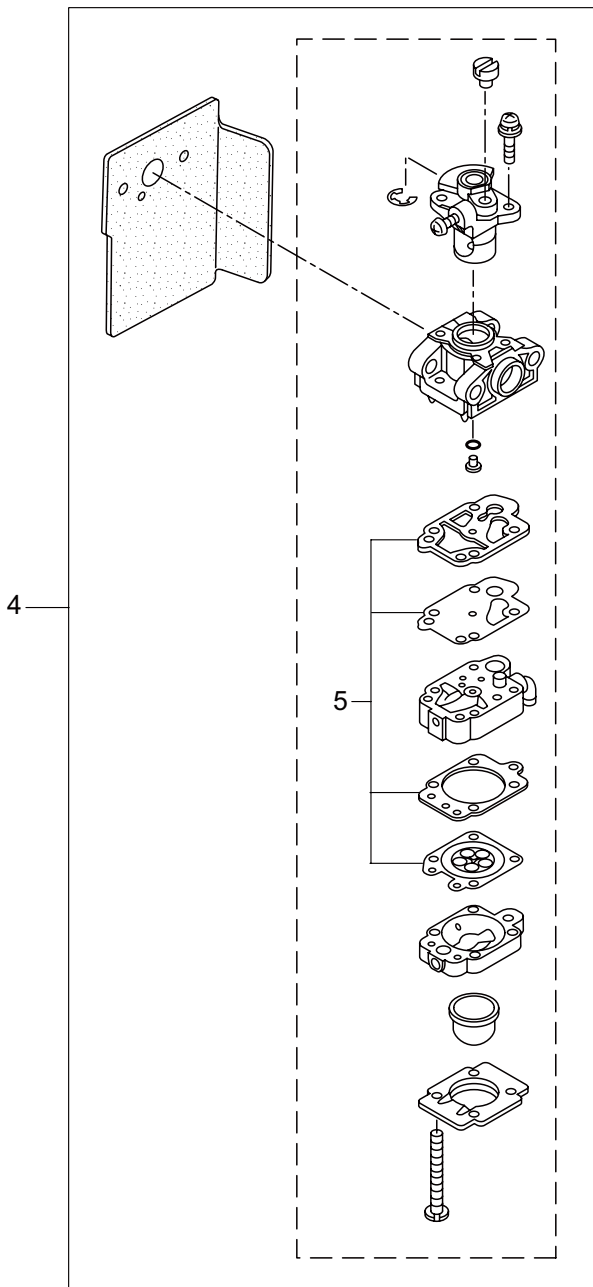
1



2

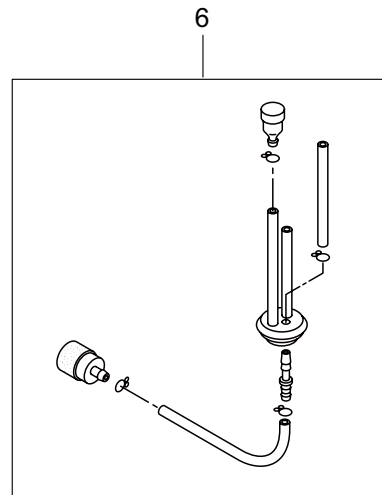


3



4

5

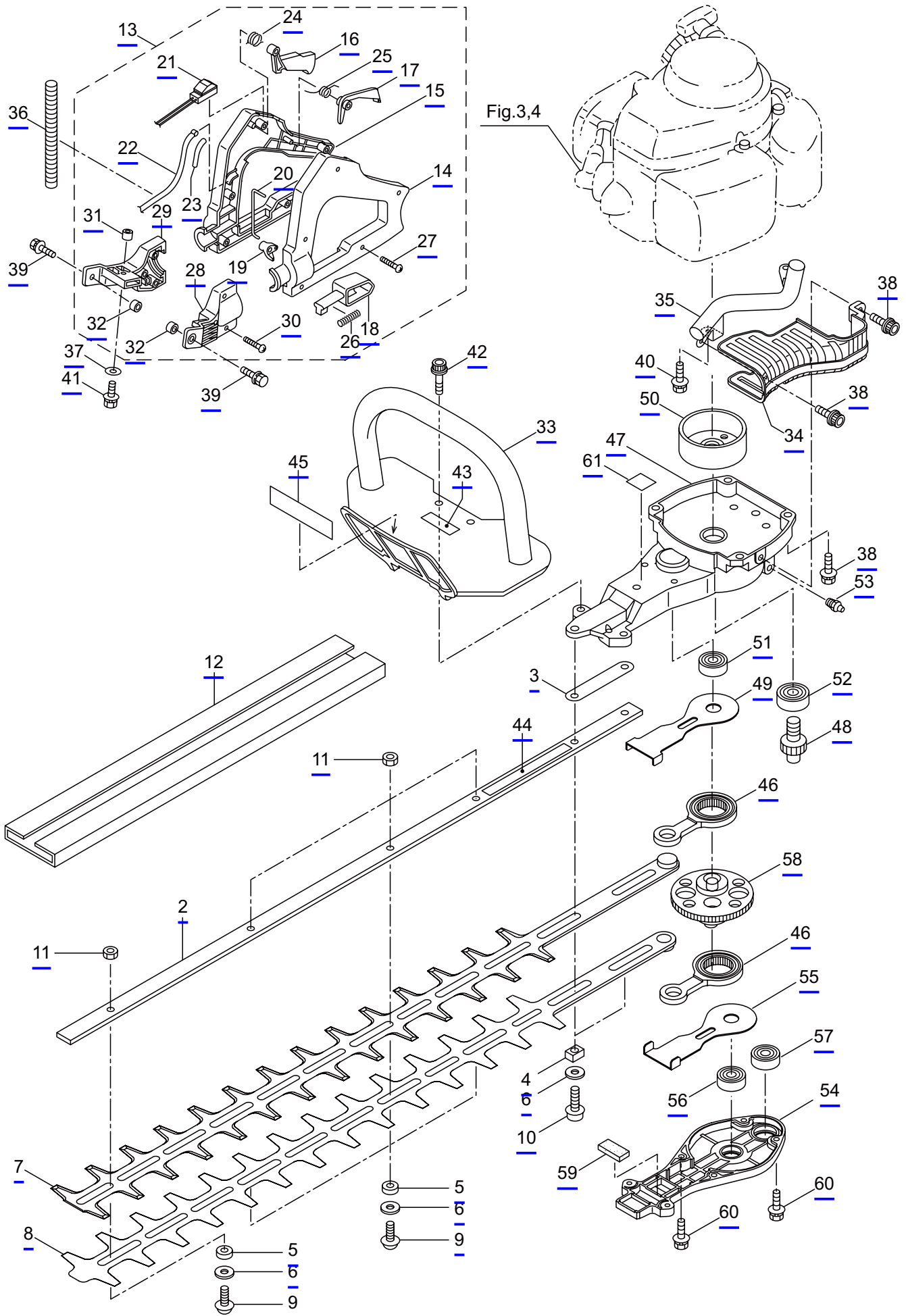


6

Ref. No.	Part No.	Part Name	Q'ty	Remarks
1-1	<a href="#">247672</a>	Cylinder Kit	1	Incl.5
1-2	<a href="#">247673</a>	Piston Kit	1	
1-3	<a href="#">247660</a>	Clutch Kit	1	
1-4	<a href="#">247883</a>	Carburetor Kit	1	
1-5	<a href="#">247867</a>	Carburetor Parts Kit	1	
1-6	<a href="#">289279</a>	Fuel Pipe Pick-up Ass'y	1	

# H23DFR

## 2. MAIN BODY ~2021.05



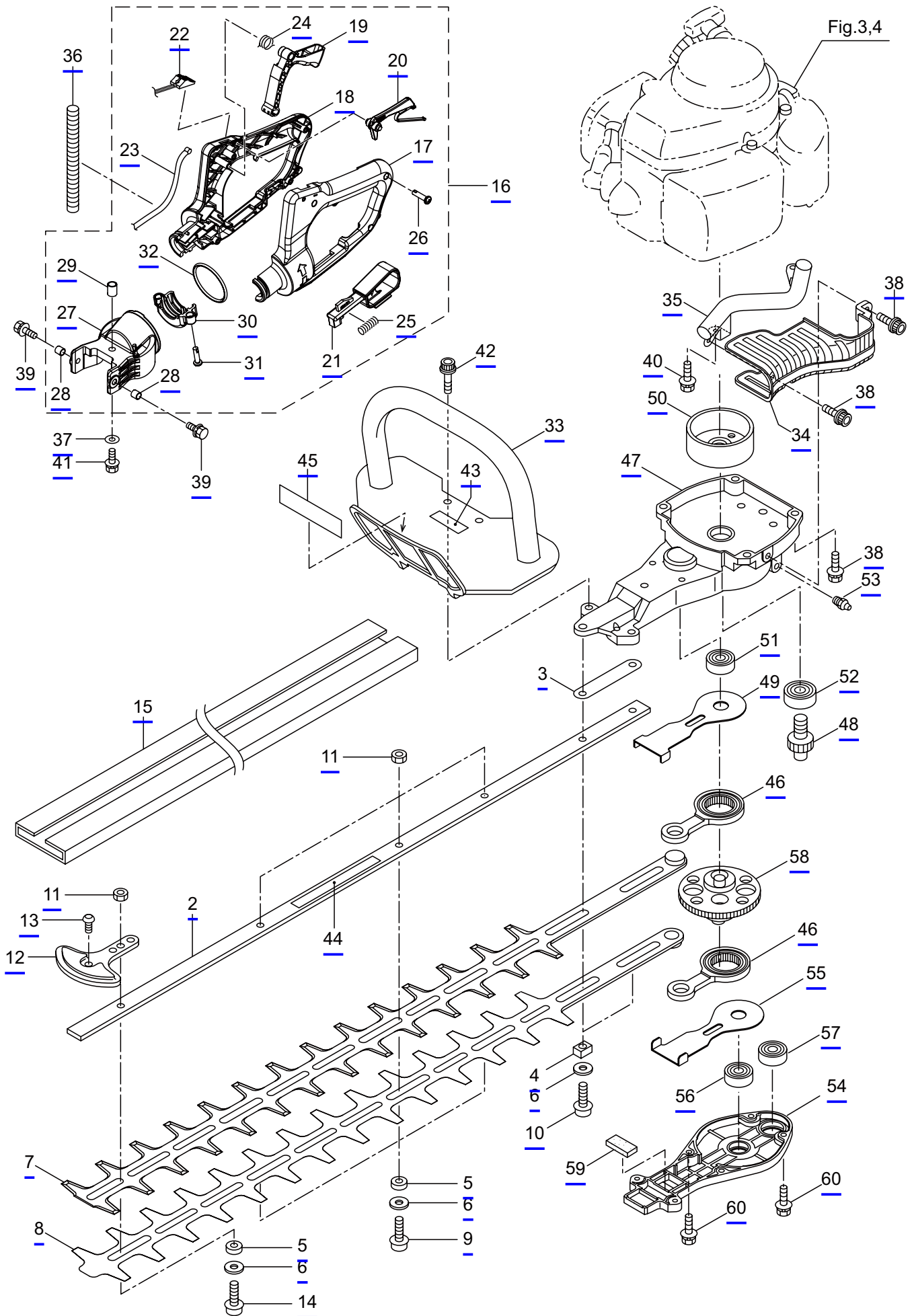
Ref. No.	Part No.	Part Name	Q'ty	Remarks
2-1	<a href="#">362406</a>	H23DFR	1	
2-2	<a href="#">277418</a>	Guide Plate	1	
2-3	<a href="#">271888</a>	Spacer Plate	1	
2-4	<a href="#">271889</a>	Spacer	2	
2-5	<a href="#">277421</a>	Spacer	4	
2-6	<a href="#">271890</a>	Washer	6	
2-7	<a href="#">271891</a>	Upper Blade	1	
2-8	<a href="#">271892</a>	Lower Blade	1	
2-9	<a href="#">277530</a>	Screw	4	
2-10	<a href="#">271897</a>	Screw	2	
2-11	<a href="#">271899</a>	Nut	4	
2-12	<a href="#">271901</a>	Cover of Blade	1	
2-13	<a href="#">271902</a>	Rear Handle Ass'y	1	Incl.14-32
2-14	<a href="#">271278</a>	Rear Handle (L)	1	
2-15	<a href="#">271279</a>	Rear Handle (R)	1	
2-16	<a href="#">271280</a>	Lever,Throttle	1	
2-17	<a href="#">271281</a>	Stop Lever	1	
2-18	<a href="#">271282</a>	Lock Lever	1	
2-19	<a href="#">271283</a>	Lock Lever Stopper	1	
2-20	<a href="#">271284</a>	Rod	1	
2-21	<a href="#">271285</a>	Switch	1	
2-22	<a href="#">271904</a>	Cable Comp	1	
2-23	<a href="#">271287</a>	Spacer	1	
2-24	<a href="#">271288</a>	Spring	1	
2-25	<a href="#">271289</a>	Spring	1	
2-26	<a href="#">270400</a>	Spring	1	
2-27	<a href="#">271276</a>	Screw	5	
2-28	<a href="#">271274</a>	Handle Stay (L)	1	
2-29	<a href="#">271275</a>	Handle Stay (R)	1	
2-30	<a href="#">271276</a>	Screw	3	
2-31	<a href="#">270424</a>	Spacer	1	
2-32	<a href="#">271277</a>	Spacer	2	
2-33	<a href="#">271905</a>	Front Handle	1	
2-34	<a href="#">271906</a>	Tail Pipe Cover	1	
2-35	<a href="#">271907</a>	Tail Pipe Comp	1	
2-36	<a href="#">271221</a>	Tube	1	
2-37	<a href="#">270843</a>	Washer	1	25x6xt1.6
2-38	<a href="#">271908</a>	Screw	6	
2-39	<a href="#">271909</a>	Screw	2	
2-40	<a href="#">271910</a>	Screw	1	
2-41	<a href="#">271911</a>	Screw	1	
2-42	<a href="#">271912</a>	Screw	2	
2-43	<a href="#">223925</a>	Label	1	Grease up
2-44	<a href="#">591450</a>	Label	1	
2-45	<a href="#">591449</a>	Label	1	



Ref. No.	Part No.	Part Name	Q'ty	Remarks
2-46	<a href="#">271914</a>	Rod Ass'y	2	
2-47	<a href="#">271918</a>	Upper Case	1	
2-48	<a href="#">271919</a>	Pinion	1	
2-49	<a href="#">271920</a>	Plate	1	
2-50	<a href="#">270021</a>	Drum	1	
2-51	<a href="#">271921</a>	Bearing	1	#6001 2RS M6
2-52	<a href="#">580767</a>	Bearing	1	
2-53	<a href="#">991937</a>	Grease Nipple	1	
2-54	<a href="#">271923</a>	Lower Case	1	
2-55	<a href="#">271924</a>	Plate	1	
2-56	<a href="#">270423</a>	Bearing	1	
2-57	<a href="#">271925</a>	Bearing	1	
2-58	<a href="#">271926</a>	Crank Comp	1	
2-59	<a href="#">271927</a>	Felt	1	
2-60	<a href="#">271910</a>	Screw	3	
2-61	<a href="#">266960</a>	Label	1	

H23DFR

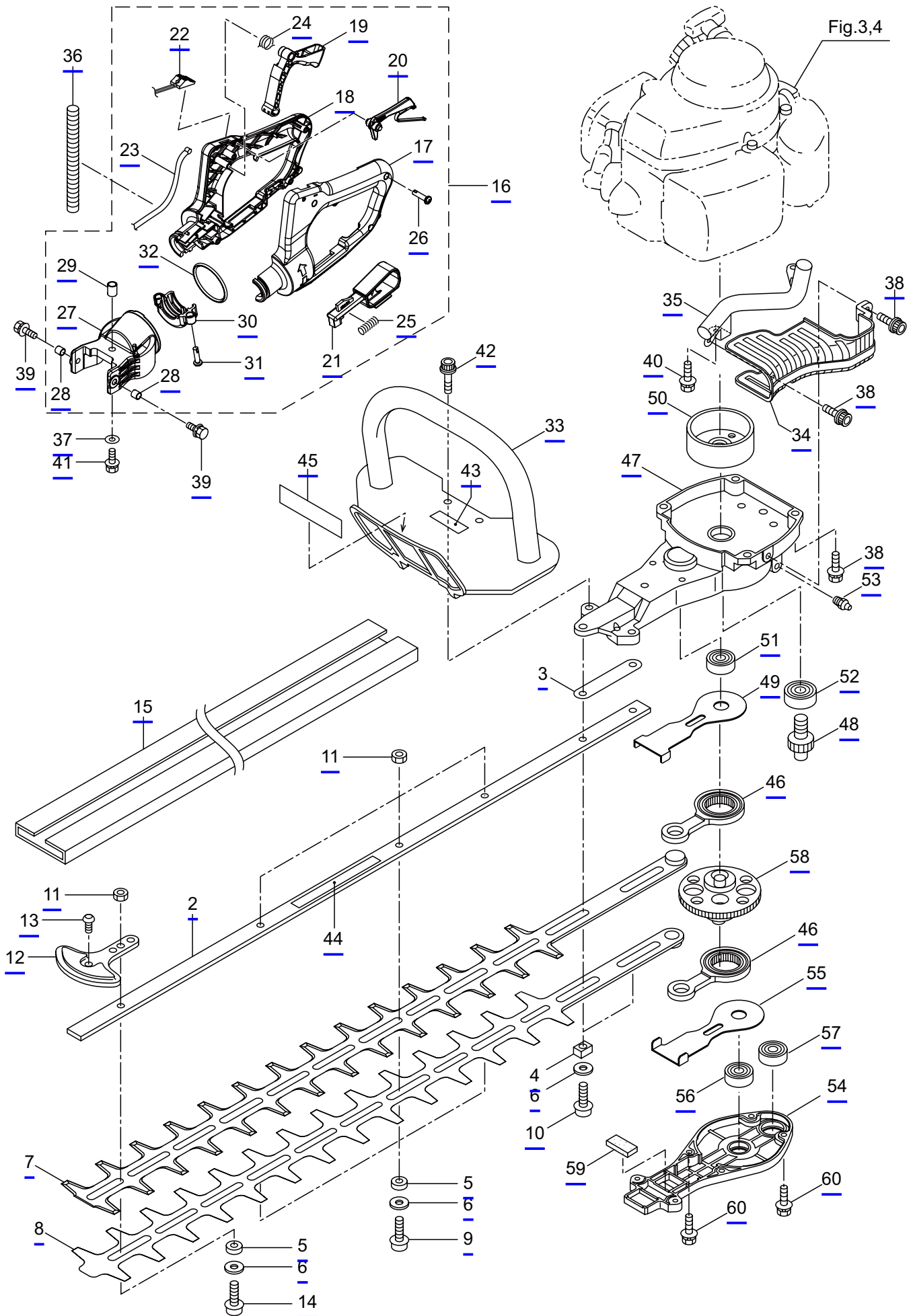
2A. MAIN BODY 2021.06~



Ref. No.	Part No.	Part Name	Q'ty	Remarks
2A-2	<a href="#">277418</a>	Guide Plate	1	
2A-3	<a href="#">271888</a>	Spacer Plate	1	
2A-4	<a href="#">271889</a>	Spacer	2	
2A-5	<a href="#">277421</a>	Spacer	4	
2A-6	<a href="#">271890</a>	Washer	6	
2A-7	<a href="#">271891</a>	Upper Blade	1	
2A-8	<a href="#">271892</a>	Lower Blade	1	
2A-9	<a href="#">271896</a>	Screw	3	M5x18
2A-10	<a href="#">271897</a>	Screw	2	M5x22
2A-11	<a href="#">271899</a>	Nut	4	
2A-12	<a href="#">278720</a>	Chip Guard	1	
2A-13	<a href="#">278721</a>	Screw	1	
2A-14	<a href="#">248407</a>	Screw	1	
2A-15	<a href="#">271901</a>	Cover of Blade	1	
2A-16	<a href="#">248412</a>	Rear Handle Ass'y	1	Incl.17-32
2A-17	<a href="#">248417</a>	Rear Handle (L)	1	
2A-18	<a href="#">248418</a>	Rear Handle (R)	1	
2A-19	<a href="#">248419</a>	Throttle Lever	1	
2A-20	<a href="#">277408</a>	Stop Lever	1	
2A-21	<a href="#">248420</a>	Lock Lever	1	
2A-22	<a href="#">248422</a>	Switch	1	
2A-23	<a href="#">248421</a>	Cable Comp	1	
2A-24	<a href="#">271288</a>	Spring	1	
2A-25	<a href="#">270400</a>	Spring	1	
2A-26	<a href="#">271276</a>	Screw	4	M4x16
2A-27	<a href="#">249093</a>	Handle Stay	1	
2A-28	<a href="#">271277</a>	Spacer	2	
2A-29	<a href="#">270424</a>	Spacer	1	
2A-30	<a href="#">248415</a>	Handle Stay (B)	1	
2A-31	<a href="#">271276</a>	Screw	2	M4x16
2A-32	<a href="#">248416</a>	O-Ring	1	
2A-33	<a href="#">271905</a>	Front Handle	1	
2A-34	<a href="#">271906</a>	Tail Pipe Cover	1	
2A-35	<a href="#">271907</a>	Tail Pipe Comp	1	
2A-36	<a href="#">271221</a>	Tube	1	
2A-37	<a href="#">270843</a>	Washer	1	25x6.5x1.6
2A-38	<a href="#">271908</a>	Screw	6	M5x16
2A-39	<a href="#">271909</a>	Screw	2	M5x20
2A-40	<a href="#">271910</a>	Screw	1	M5x16
2A-41	<a href="#">271911</a>	Screw	1	M6x20
2A-42	<a href="#">271912</a>	Screw	2	M5x55
2A-43	<a href="#">223925</a>	Label	1	
2A-44	<a href="#">591450</a>	Label	1	
2A-45	<a href="#">591449</a>	Label	1	
2A-46	<a href="#">271914</a>	Rod Ass'y	2	

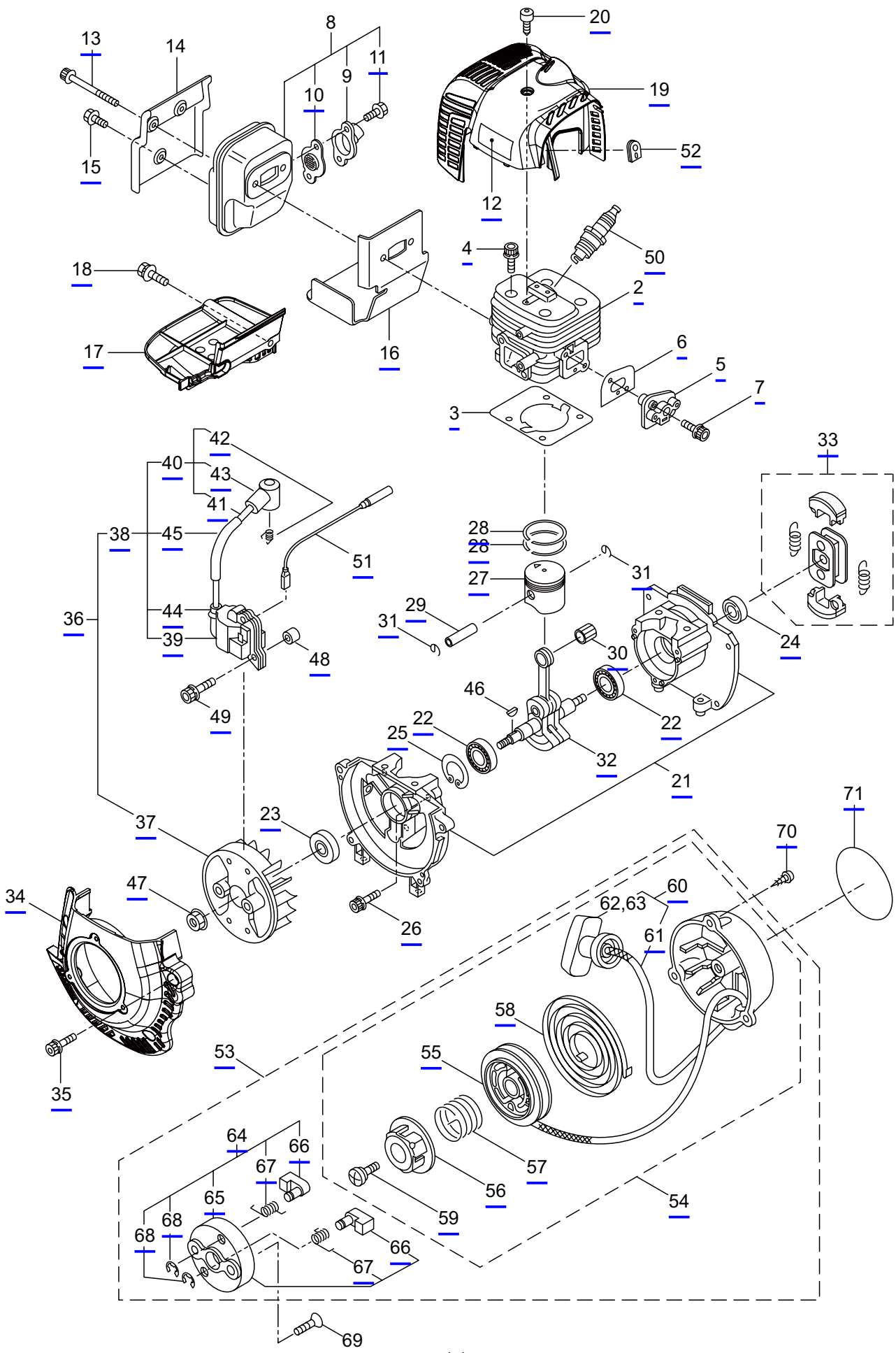
# H23DFR

## 2A. MAIN BODY 2021.06~



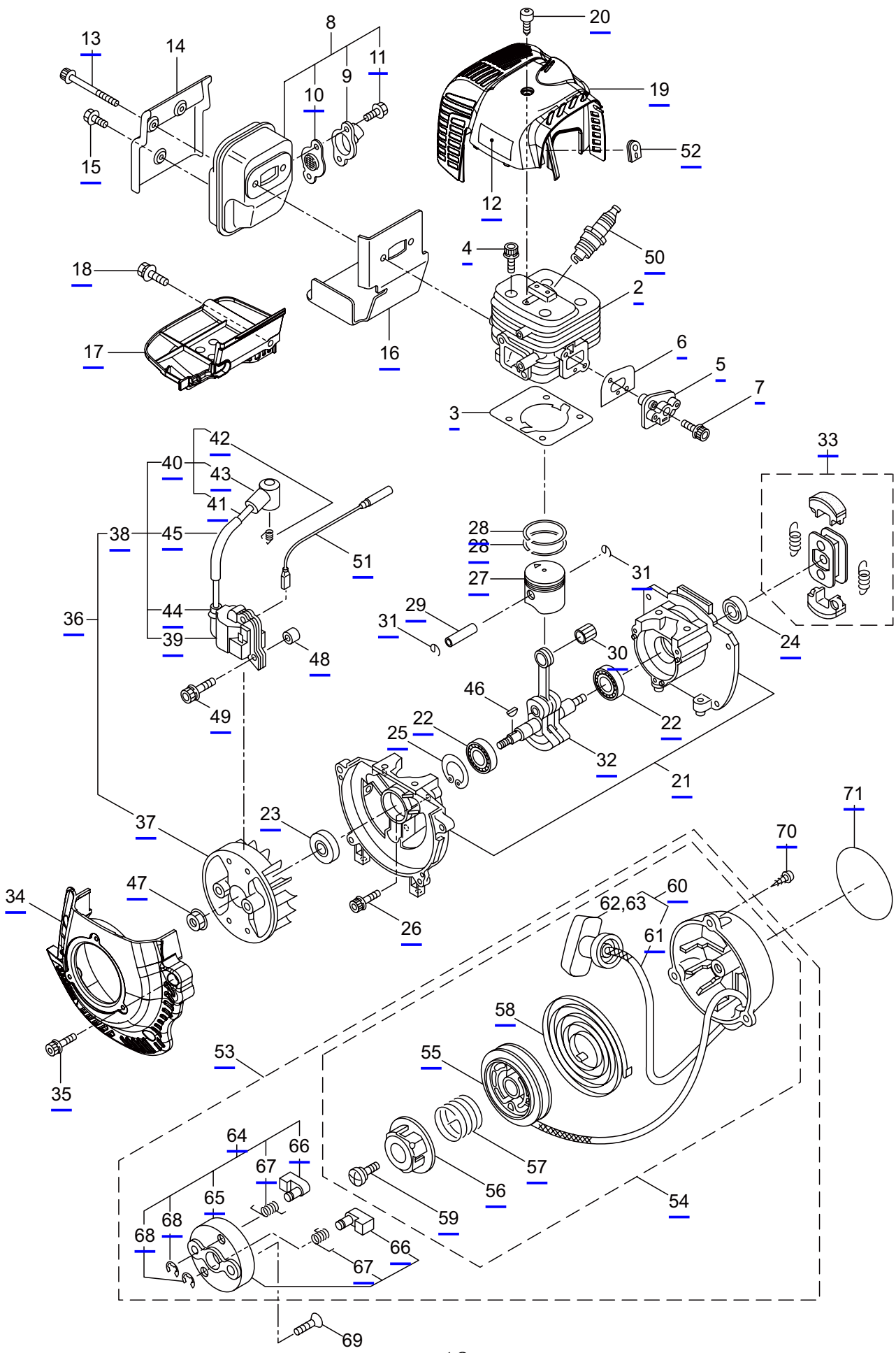
Ref. No.	Part No.	Part Name	Q'ty	Remarks
2A-47	<a href="#">271918</a>	Upper Case	1	
2A-48	<a href="#">271919</a>	Pinion	1	
2A-49	<a href="#">271920</a>	Plate	1	
2A-50	<a href="#">270021</a>	Clutch Drum	1	
2A-51	<a href="#">271921</a>	Bearing	1	608ZZ
2A-52	<a href="#">580767</a>	Bearing	1	
2A-53	991937	Grease Nipple	1	
2A-54	<a href="#">271923</a>	Lower Case	1	
2A-55	<a href="#">271924</a>	Plate	1	
2A-56	<a href="#">270423</a>	Bearing	1	
2A-57	<a href="#">271925</a>	Bearing	1	6000ZZ
2A-58	<a href="#">271926</a>	Crank Comp	1	
2A-59	<a href="#">271927</a>	Felt	1	
2A-60	<a href="#">271910</a>	Screw	3	M5x16

H23DFR  
3. ENGINE



Ref. No.	Part No.	Part Name	Q'ty	Remarks
3-1	859964	Engine	1	CE230H/06
3-2	<a href="#">288499</a>	Cylinder	1	
3-3	<a href="#">286074</a>	Gasket	1	
3-4	<a href="#">261250</a>	Cap Screw	4	M5x20
3-5	<a href="#">265802</a>	Insulator	1	New gasket required
3-6	<a href="#">267049</a>	Gasket	1	
3-7	<a href="#">265924</a>	Cap Screw	2	M5x25
3-8	<a href="#">277023</a>	Muffler Ass'y	1	Incl.9-11
3-9	<a href="#">288503</a>	Muffler Tail	1	
3-10	<a href="#">288504</a>	Spark Arrestor	1	
3-11	<a href="#">288542</a>	Screw	2	M4x8
3-12	<a href="#">277245</a>	Label	1	<a href="#">H23DFR</a>
3-13	<a href="#">266402</a>	Cap Screw	2	M5x55
3-14	<a href="#">275562</a>	Muffler Guard	1	
3-15	<a href="#">288542</a>	Screw	1	M4x8
3-16	<a href="#">275561</a>	Gasket	1	
3-17	<a href="#">275560</a>	Under Cover	1	
3-18	<a href="#">267191</a>	Cap Screw	1	M5x16
3-19	<a href="#">276564</a>	Top Cover Comp	1	
3-20	<a href="#">286399</a>	Knob	1	M5
3-21	<a href="#">288537</a>	Crankcase	1	
3-22	<a href="#">280488</a>	Bearing	2	PPL 6001
3-23	<a href="#">261492</a>	Oil Seal	1	ISCD12287
3-24	<a href="#">261386</a>	Oil Seal	1	ISCD12227
3-25	<a href="#">055185</a>	Snap Ring	1	H28
3-26	<a href="#">261246</a>	Cap Screw	3	M5x25
3-27	<a href="#">283379</a>	Piston	1	
3-28	<a href="#">282177</a>	Piston Ring	2	
3-29	<a href="#">261036</a>	Piston Pin	1	
3-30	<a href="#">263957</a>	Bearing, Needle	1	KTV81112EG01 B2
3-31	<a href="#">261576</a>	Clip,Piston	2	
3-32	<a href="#">246387</a>	Crankshaft/Conn. Rod Ass'y	1	
3-33	<a href="#">246054</a>	Clutch Ass'y	1	
3-34	<a href="#">275557</a>	Fan Cover	1	
3-35	<a href="#">261250</a>	Cap Screw	4	M5x20
3-36	<a href="#">288514</a>	Magneto Ass'y	1	Incl.37-45
3-37	<a href="#">288515</a>	Rotor/Fan	1	
3-38	<a href="#">288516</a>	Ignition Coil Ass'y	1	Incl.39-45
3-39	<a href="#">289483</a>	Coil	1	
3-40	<a href="#">289484</a>	Spark Plug Wire Ass'y	1	Incl.41-43
3-41	<a href="#">289485</a>	Spark Plug Wire	1	
3-42	<a href="#">272805</a>	Connector	1	
3-43	<a href="#">283178</a>	Plug Boot	1	
3-44	<a href="#">283271</a>	Cap	1	
3-45	<a href="#">289486</a>	Insulator	1	

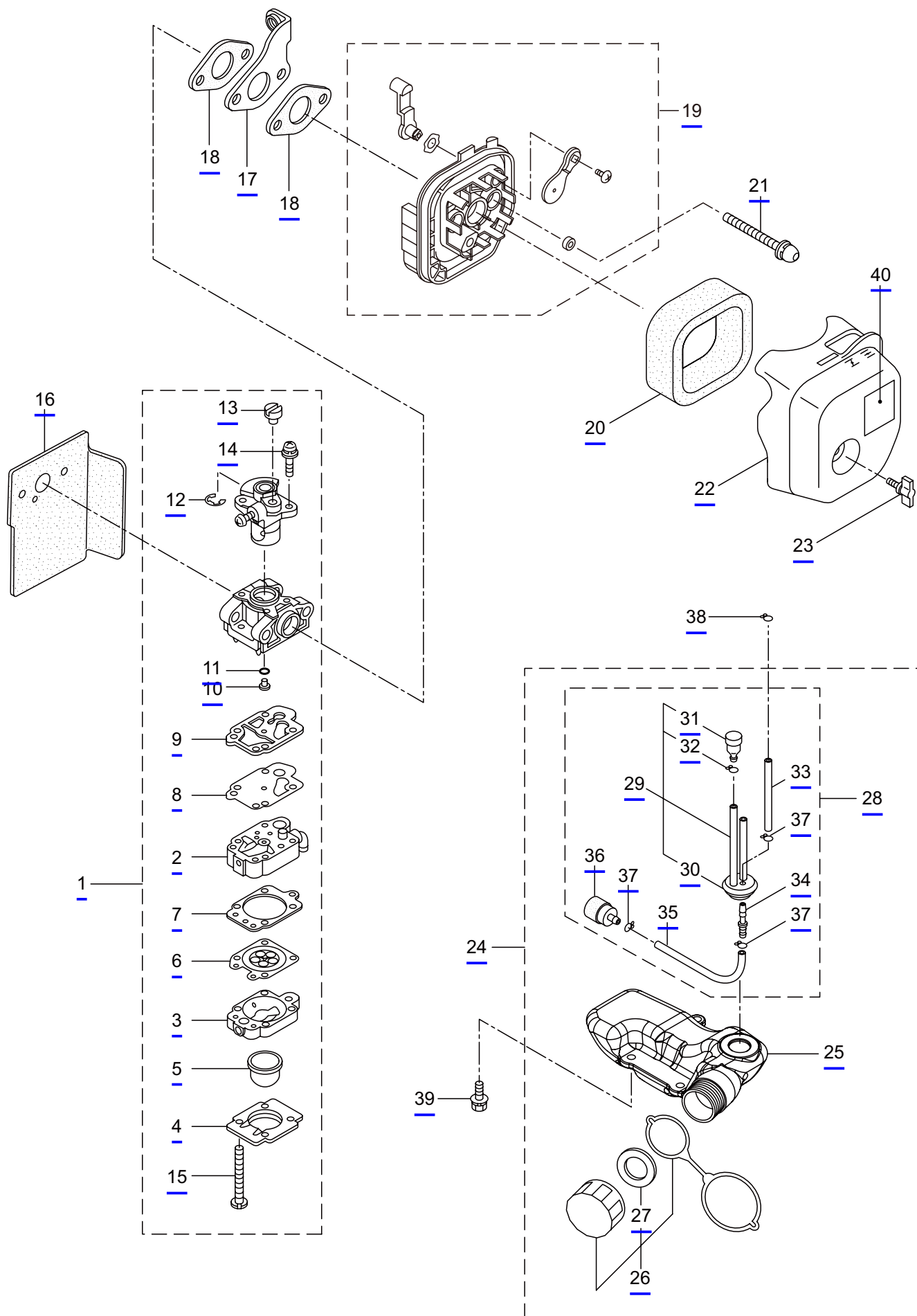
H23DFR  
3. ENGINE



Ref. No.	Part No.	Part Name	Q'ty	Remarks
3-46	<a href="#">261076</a>	Woodruff Key	1	3x10
3-47	<a href="#">261417</a>	Nut,Rotor	1	M8
3-48	<a href="#">280381</a>	Spacer	2	
3-49	<a href="#">261256</a>	Cap Screw	2	M4x25
3-50	<a href="#">285982</a>	Spark Plug	1	NGK <a href="#">BPM8Y</a>
3-51	<a href="#">261772</a>	Lead	1	
3-52	<a href="#">283140</a>	Grommet	1	
3-53	<a href="#">283171</a>	Recoil Starter Ass'y	1	Incl.54-68
3-54	<a href="#">283172</a>	Starter Ass'y	1	Incl.55-63
3-55	<a href="#">286363</a>	Reel	1	
3-56	<a href="#">286364</a>	Cam Plate	1	
3-57	<a href="#">283290</a>	Spring	1	
3-58	<a href="#">280931</a>	Spiral Spring	1	
3-59	<a href="#">267213</a>	Screw	1	
3-60	<a href="#">283291</a>	Rope Ass'y	1	Incl.61-63
3-61	<a href="#">283292</a>	Starter Rope	1	
3-62	<a href="#">261725</a>	Starter Grip	1	
3-63	<a href="#">283293</a>	Rope Stopper	1	
3-64	<a href="#">283173</a>	Starter Pulley Ass'y	1	Incl.65-68
3-65	<a href="#">283294</a>	Starter Pulley	1	
3-66	<a href="#">280936</a>	Ratchet	2	
3-67	<a href="#">283295</a>	Spring	2	
3-68	<a href="#">020299</a>	E-Ring	2	#4
3-69	<a href="#">264535</a>	Screw	2	M6x20
3-70	<a href="#">280144</a>	Tapping Screw	3	
3-71	<a href="#">277244</a>	Label	1	<a href="#">H23DFR</a>

# H23DFR

## 4. CARBURETOR, FUEL TANK



Ref. No.	Part No.	Part Name	Q'ty	Remarks
4-1	<a href="#">277126</a>	Carburetor Ass'y	1	Incl.2-15
4-2	<a href="#">268499</a>	Pump Body	1	
4-3	<a href="#">247116</a>	Purge Body	1	
4-4	<a href="#">262992</a>	Cover Plate	1	
4-5	<a href="#">261874</a>	Primer Bulb	1	
4-6	<a href="#">283905</a>	Diaphragm, Meterring	1	
4-7	<a href="#">262993</a>	Gasket	1	
4-8	<a href="#">262994</a>	Diaphragm,Fuel Pump	1	
4-9	<a href="#">282576</a>	Gasket	1	
4-10	<a href="#">289396</a>	Main Jet	1	
4-11	<a href="#">261871</a>	O-Ring	1	
4-12	<a href="#">261876</a>	E-Ring	1	
4-13	<a href="#">261658</a>	Swivel	1	
4-14	<a href="#">264682</a>	Screw	2	
4-15	<a href="#">262996</a>	Screw	4	
4-16	<a href="#">288517</a>	Gasket	1	
4-17	<a href="#">283773</a>	Stay	1	
4-18	<a href="#">283771</a>	Gasket	2	
4-19	<a href="#">248152</a>	Case Ass'y	1	
4-20	<a href="#">277320</a>	Element	1	
4-21	<a href="#">262720</a>	Cap Screw	2	M5x55
4-22	<a href="#">283772</a>	Cleaner Cover	1	
4-23	<a href="#">281438</a>	Knob	1	
4-24	<a href="#">277028</a>	Fuel Tank Ass'y	1	Incl.25-37
4-25	<a href="#">275618</a>	Fuel Tank	1	
4-26	<a href="#">289046</a>	Tank Cap Ass'y	1	Incl.27
4-27	<a href="#">287058</a>	Gasket	1	
4-28	<a href="#">289279</a>	Fuel Pipe Pick-up Ass'y	1	Incl.29-37
4-29	<a href="#">289280</a>	Fuel Pipe Ass'y	1	
4-30	<a href="#">268065</a>	Grommet	1	Incl.30-32
4-31	<a href="#">289451</a>	Breather	1	
4-32	<a href="#">261117</a>	Clip	1	3x5x53L
4-33	<a href="#">289028</a>	Pipe A	1	
4-34	<a href="#">288921</a>	Joint	1	
4-35	<a href="#">289029</a>	Pipe	1	3x5x125L
4-36	<a href="#">277887</a>	Filter Ass'y	1	
4-37	<a href="#">261117</a>	Clip	3	
4-38	<a href="#">261117</a>	Clip	1	
4-39	<a href="#">269690</a>	Cap Screw	4	
4-40	<a href="#">285188</a>	Label	1	

H23DFR  
5. ACCESSORIES

