

# PARTS LIST

## H23F

### CONTENTS

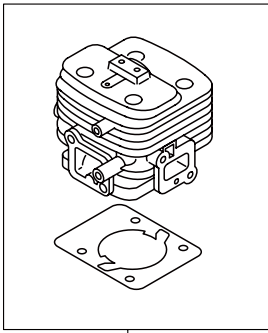
0A. PARTS KIT .....	1
1. MAIN BOY .....	3
2. ENGINE .....	7
3. CARBURETOR, FUEL TANK .....	11
4. ACCESSORIES .....	13

2023. 07.

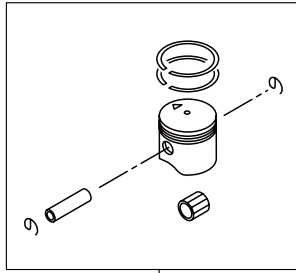


P/N 524361-1

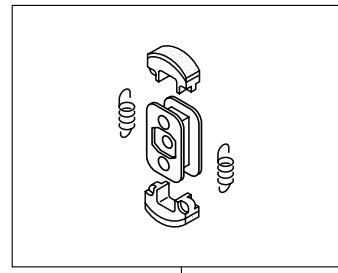
H23F  
0A. PARTS KIT



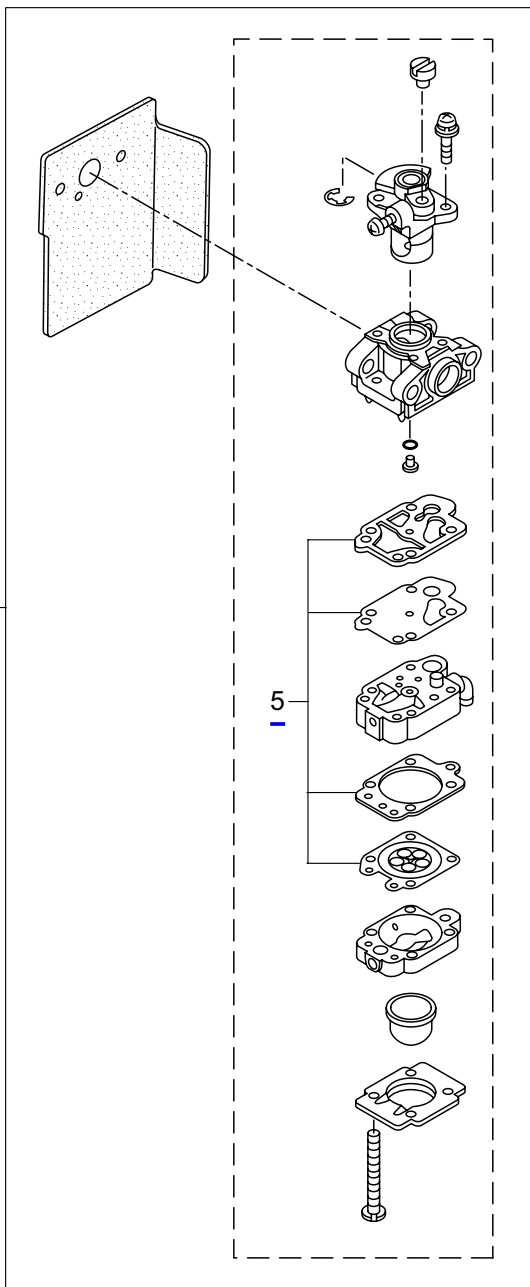
1



2

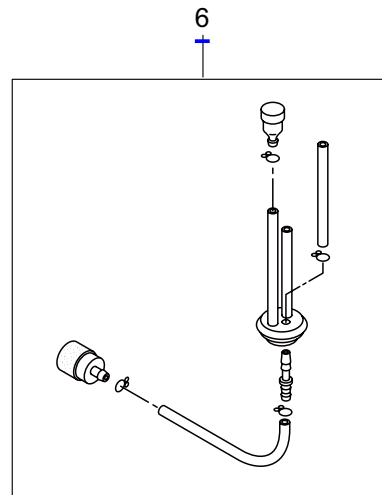


3



4

5

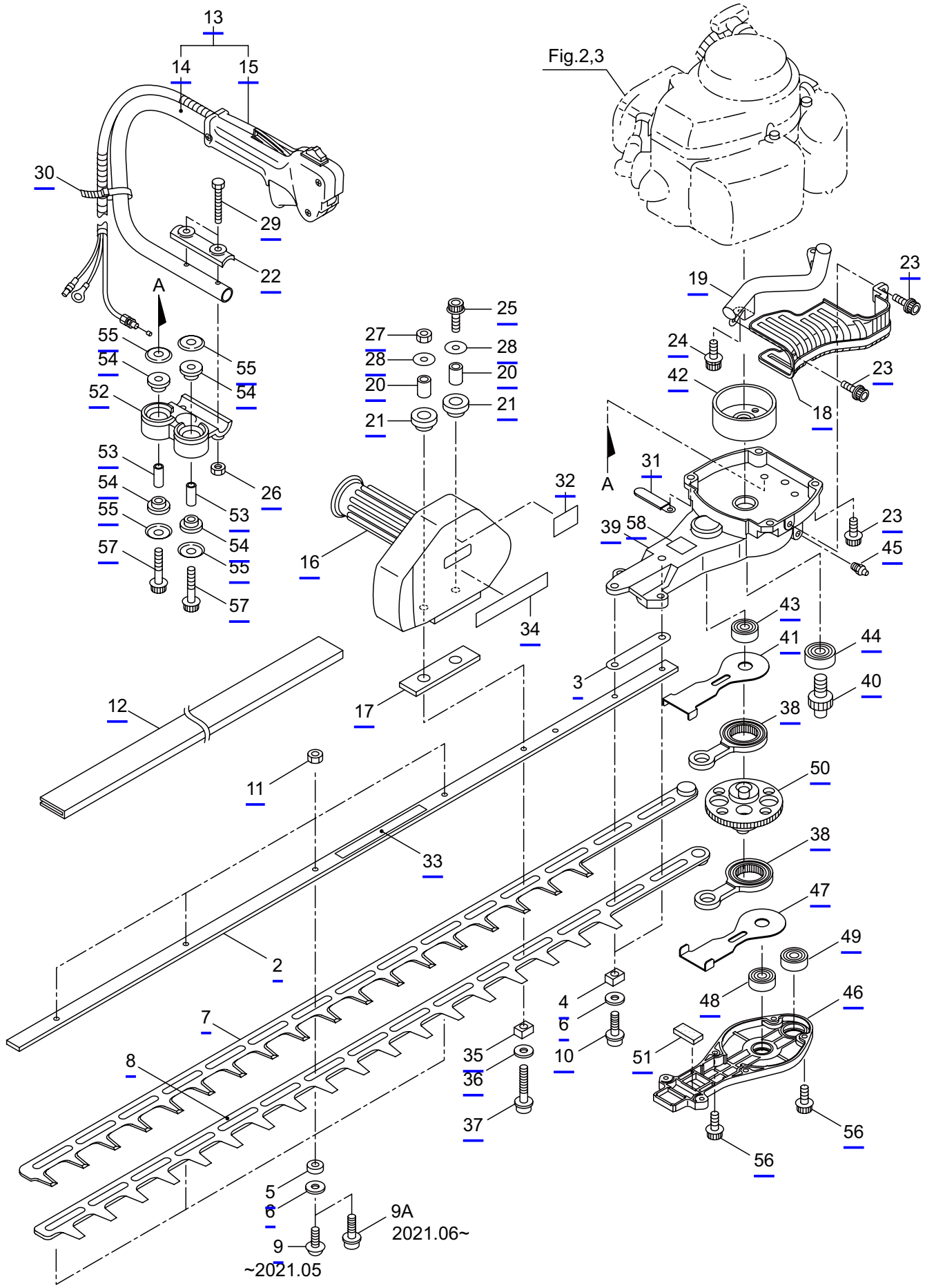


6



H23F

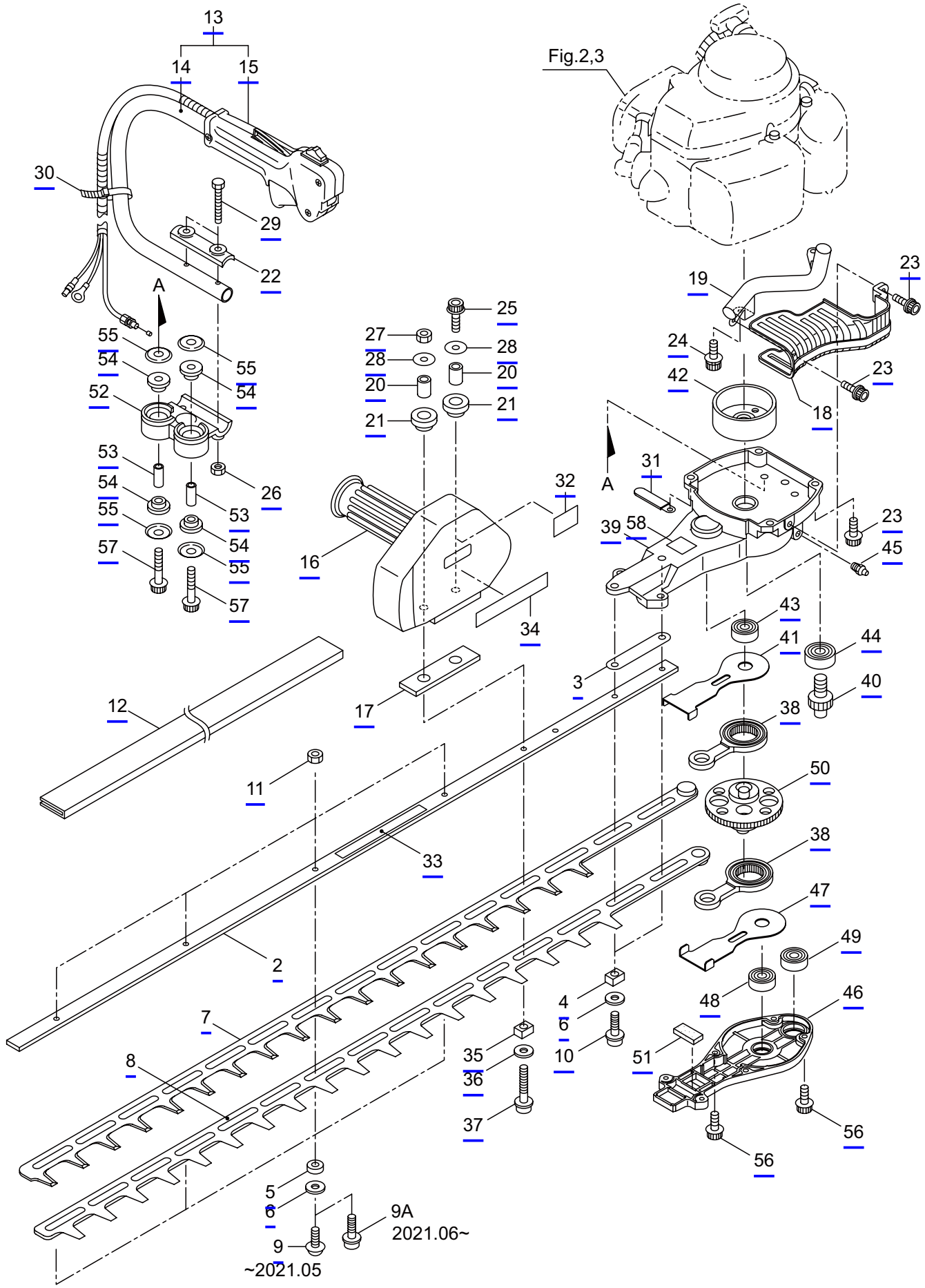
1. MAIN BOY



Ref. No.	Part No.	Part Name	Q'ty	Remarks
1-1	<a href="#">362408</a>	H23F	1	
1-2	<a href="#">277420</a>	Guide Plate	1	
1-3	<a href="#">271888</a>	Spacer Plate	1	
1-4	<a href="#">271889</a>	Spacer	2	
1-5	<a href="#">277421</a>	Spacer	4	
1-6	<a href="#">271890</a>	Washer	6	
1-7	<a href="#">274280</a>	Upper Blade	1	
1-8	<a href="#">274281</a>	Lower Blade	1	
1-9	<a href="#">271896</a>	Screw	4	
1-10	<a href="#">271897</a>	Screw	2	
1-11	<a href="#">271899</a>	Nut	4	
1-12	<a href="#">274292</a>	Cover of Blade	1	
1-13	<a href="#">274240</a>	Left Handle Ass'y	1	Incl.14,15
1-14	<a href="#">274241</a>	Left Handle	1	
1-15	<a href="#">274242</a>	Throttle Trigger	1	
1-16	<a href="#">274293</a>	Right Handle Ass'y	1	
1-17	<a href="#">274294</a>	Cushion A	1	
1-18	<a href="#">271906</a>	Tail Pipe Cover	1	
1-19	<a href="#">271907</a>	Tail Pipe Comp	1	
1-20	<a href="#">274295</a>	Sleeve	2	
1-21	<a href="#">274296</a>	Cushion B	2	
1-22	<a href="#">577133</a>	Handle <u>Fitting</u>	1	
1-23	<a href="#">271908</a>	Screw	6	
1-24	<a href="#">271910</a>	Screw	1	
1-25	<a href="#">274297</a>	Screw	1	
1-26	<a href="#">991938</a>	Nut	2	M5
1-27	<a href="#">271899</a>	Nut	1	
1-28	<a href="#">274298</a>	Washer	2	
1-29	<a href="#">580796</a>	Bolt	2	M5x30
1-30	<a href="#">274299</a>	Band	2	
1-31	<a href="#">274300</a>	Clamp	1	
1-32	<a href="#">223925</a>	Label	1	Grease up
1-33	<a href="#">591450</a>	Label	1	
1-34	<a href="#">591449</a>	Label	1	
1-35	<a href="#">271889</a>	Spacer	1	
1-36	<a href="#">271890</a>	Washer	1	
1-37	<a href="#">274282</a>	Screw	1	
1-38	<a href="#">271914</a>	Rod Ass'y	2	
1-39	<a href="#">274284</a>	Upper Case	1	
1-40	<a href="#">271919</a>	Pinion	1	
1-41	<a href="#">271920</a>	Plate	1	
1-42	<a href="#">270021</a>	Drum	1	
1-43	<a href="#">271921</a>	Bearing	1	
1-44	<a href="#">580767</a>	Bearing	1	#6001 2RS
1-45	<a href="#">991937</a>	Grease Nipple	1	M6

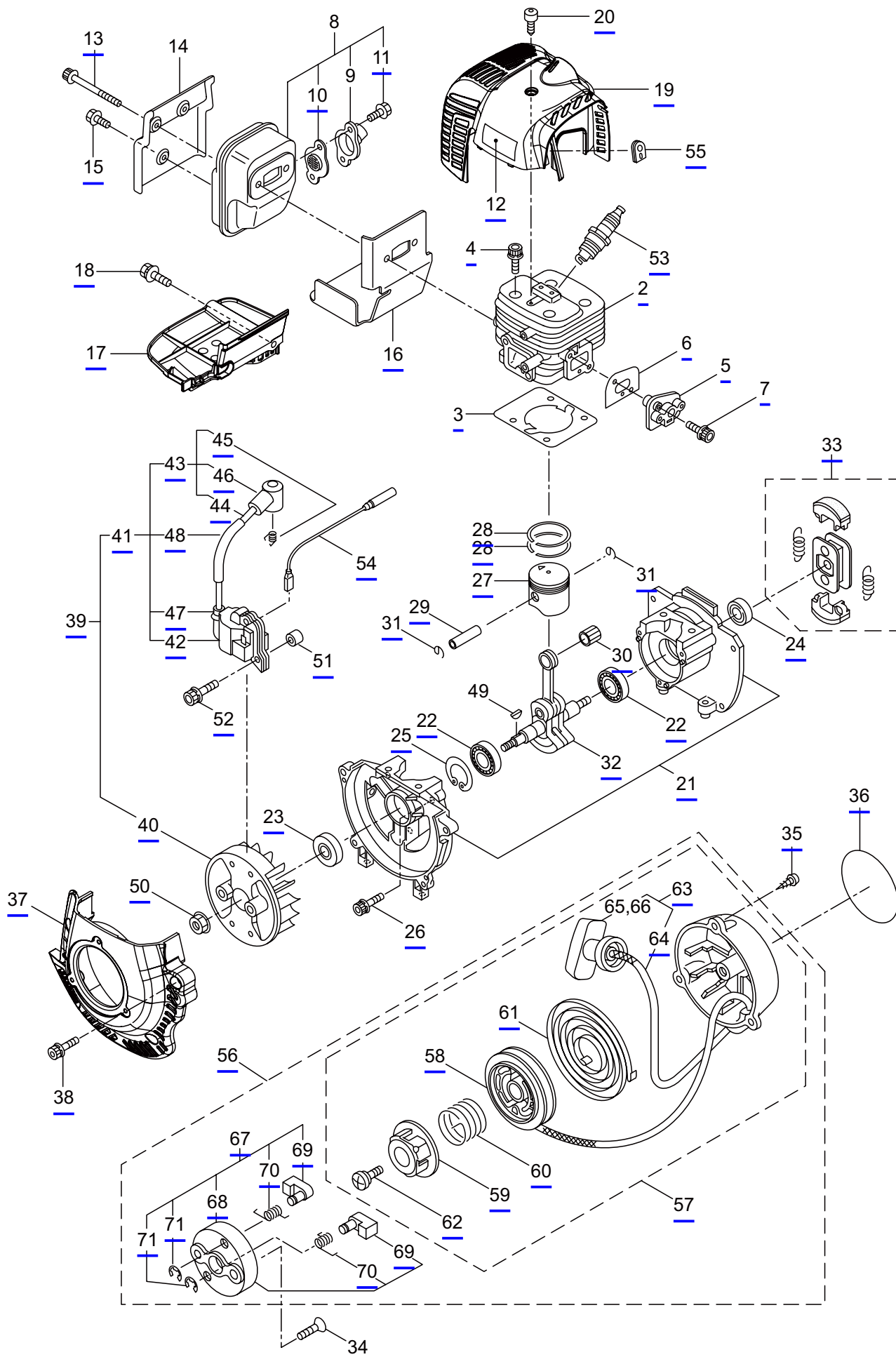
# H23F

## 1. MAIN BOY



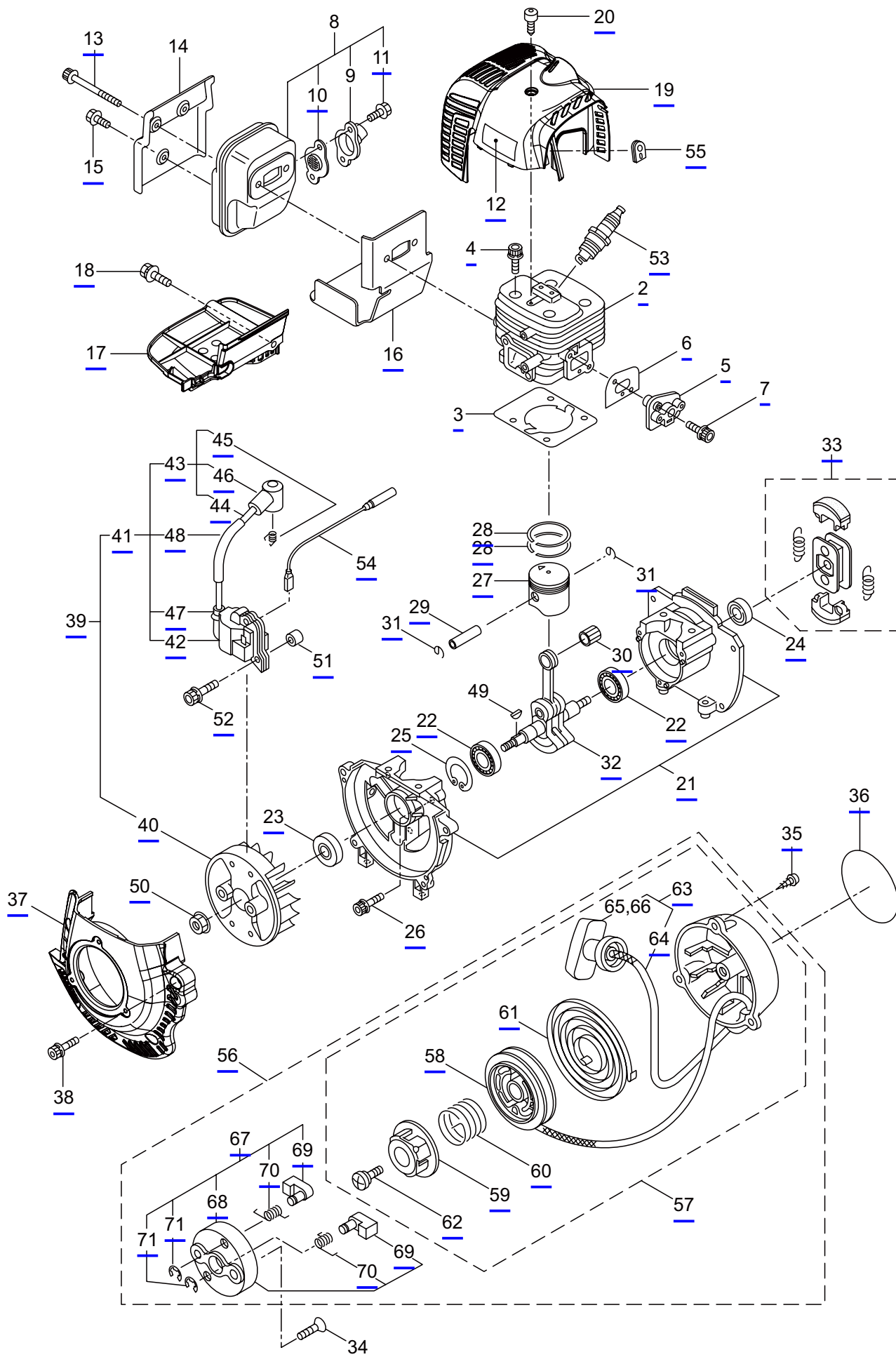
Ref. No.	Part No.	Part Name	Q'ty	Remarks
1-46	<a href="#">274286</a>	Lower Case	1	
1-47	<a href="#">271924</a>	Plate	1	
1-48	<a href="#">270423</a>	Bearing	1	
1-49	<a href="#">271925</a>	Bearing	1	
1-50	<a href="#">271926</a>	Crank Comp	1	
1-51	<a href="#">271927</a>	Felt	1	
1-52	<a href="#">577136</a>	Handle Bracket	1	
1-53	<a href="#">274288</a>	Spacer	2	
1-54	<a href="#">274289</a>	Cushion	4	
1-55	<a href="#">274290</a>	Washer	4	
1-56	<a href="#">271910</a>	Screw	5	
1-57	<a href="#">274291</a>	Screw	2	
1-58	<a href="#">266960</a>	Label	1	

H23F  
2. ENGINE



Ref. No.	Part No.	Part Name	Q'ty	Remarks
2-1	859966	Engine	1	CE230H/08
2-2	<a href="#">288499</a>	Cylinder	1	
2-3	<a href="#">286074</a>	Gasket	1	
2-4	<a href="#">261250</a>	Cap Screw	4	M5x20
2-5	<a href="#">265802</a>	Insulator	1	New gasket required
2-6	<a href="#">267049</a>	Gasket	1	
2-7	<a href="#">265924</a>	Cap Screw	2	M5x25
2-8	<a href="#">277023</a>	Muffler Ass'y	1	Incl.9-11
2-9	<a href="#">288503</a>	Muffler Tail	1	
2-10	<a href="#">288504</a>	Spark Arrestor	1	
2-11	<a href="#">288542</a>	Screw	2	M4x8
2-12	<a href="#">277257</a>	Label	1	<a href="#">H23F</a>
2-13	<a href="#">266402</a>	Cap Screw	2	M5x55
2-14	<a href="#">275562</a>	Muffler Guard	1	
2-15	<a href="#">288542</a>	Screw	1	M4x8
2-16	<a href="#">275561</a>	Gasket	1	
2-17	<a href="#">275560</a>	Under Cover	1	
2-18	<a href="#">267191</a>	Cap Screw	1	M5x16
2-19	<a href="#">276564</a>	Top Cover Comp	1	
2-20	<a href="#">286399</a>	Knob	1	M5
2-21	<a href="#">288537</a>	Crankcase	1	
2-22	<a href="#">280488</a>	Bearing	2	PPL 6001
2-23	<a href="#">261492</a>	Oil Seal	1	ISCD12287
2-24	<a href="#">261386</a>	Oil Seal	1	ISCD12227
2-25	<a href="#">055185</a>	Snap Ring	1	H28
2-26	<a href="#">261246</a>	Cap Screw	3	M5x25
2-27	<a href="#">283379</a>	Piston	1	
2-28	<a href="#">282177</a>	Piston Ring	2	
2-29	<a href="#">261036</a>	Piston Pin	1	
2-30	<a href="#">263957</a>	Bearing, Needle	1	KTV81112EG01 B2
2-31	<a href="#">261576</a>	Clip,Piston	2	
2-32	<a href="#">246387</a>	Crankshaft/Conn. Rod Ass'y	1	
2-33	<a href="#">246054</a>	Clutch Ass'y	1	
2-34	<a href="#">264535</a>	Screw	2	M6x20
2-35	<a href="#">280144</a>	Tapping Screw	3	4X16
2-36	<a href="#">277256</a>	Label	1	<a href="#">H23F</a>
2-37	<a href="#">275557</a>	Fan Cover	1	
2-38	<a href="#">261250</a>	Cap Screw	4	M5x20
2-39	<a href="#">288514</a>	Magneto Ass'y	1	Incl.40-48
2-40	<a href="#">288515</a>	Rotor/Fan	1	
2-41	<a href="#">288516</a>	Ignition Coil Ass'y	1	Incl.42-48
2-42	<a href="#">289483</a>	Coil	1	
2-43	<a href="#">289484</a>	Spark Plug Wire Ass'y	1	Incl.44-46
2-44	<a href="#">289485</a>	Spark Plug Wire	1	
2-45	<a href="#">272805</a>	Connector	1	

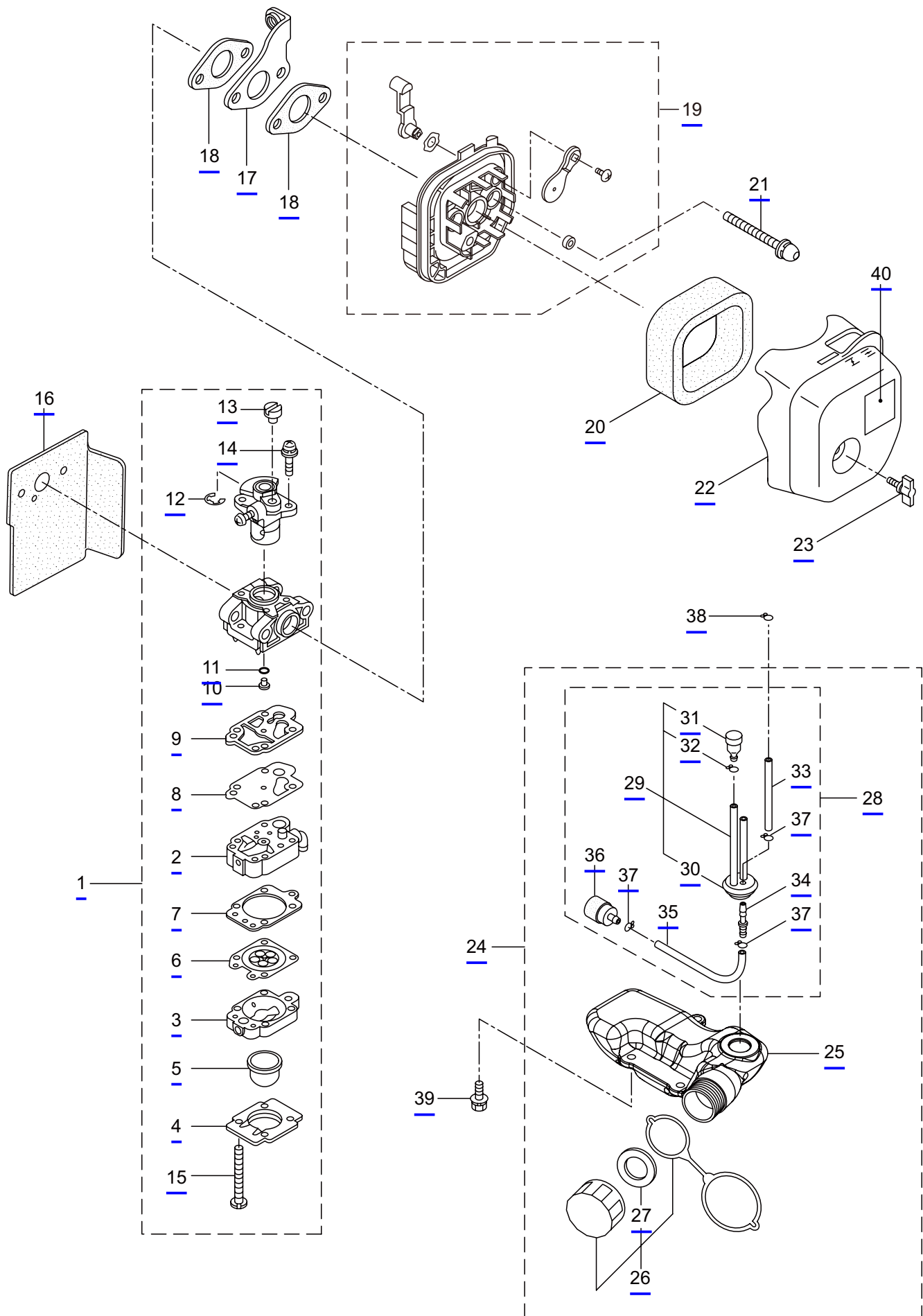
H23F  
2. ENGINE



Ref. No.	Part No.	Part Name	Q'ty	Remarks
2-46	<a href="#">283178</a>	Plug Boot	1	
2-47	<a href="#">283271</a>	Cap	1	
2-48	<a href="#">289486</a>	Insulator	1	
2-49	<a href="#">261076</a>	Woodruff Key	1	3x10
2-50	<a href="#">261417</a>	Nut,Rotor	1	M8
2-51	<a href="#">280381</a>	Spacer	2	
2-52	<a href="#">261256</a>	Cap Screw	2	M4x25
2-53	<a href="#">285982</a>	Spark Plug	1	NGK <a href="#">BPM8Y</a>
2-54	<a href="#">261772</a>	Lead	1	
2-55	<a href="#">283140</a>	Grommet	1	
2-56	<a href="#">283171</a>	Recoil Starter Ass'y	1	Incl.57-71
2-57	<a href="#">283172</a>	Starter Ass'y	1	Incl.58-66
2-58	<a href="#">286363</a>	Reel	1	
2-59	<a href="#">286364</a>	Cam Plate	1	
2-60	<a href="#">283290</a>	Spring	1	
2-61	<a href="#">280931</a>	Spiral Spring	1	
2-62	<a href="#">267213</a>	Screw	1	
2-63	<a href="#">283291</a>	Rope Ass'y	1	Incl.64-66
2-64	<a href="#">283292</a>	Starter Rope	1	
2-65	<a href="#">261725</a>	Starter Grip	1	
2-66	<a href="#">283293</a>	Rope Stopper	1	
2-67	<a href="#">283173</a>	Starter Pulley Ass'y	1	Incl.68-71
2-68	<a href="#">283294</a>	Starter Pulley	1	
2-69	<a href="#">280936</a>	Ratchet	2	
2-70	<a href="#">283295</a>	Spring	2	
2-71	<a href="#">020299</a>	E-Ring	2	#4

H23F

3. CARBURETOR, FUEL TANK



Ref. No.	Part No.	Part Name	Q'ty	Remarks
3-1	<a href="#">277126</a>	Carburetor Ass'y	1	Incl.2-15
3-2	<a href="#">268499</a>	Pump Body	1	
3-3	<a href="#">247116</a>	Purge Body	1	
3-4	<a href="#">262992</a>	Cover Plate	1	
3-5	<a href="#">261874</a>	Primer Bulb	1	
3-6	<a href="#">283905</a>	Diaphragm, Metering	1	
3-7	<a href="#">262993</a>	Gasket	1	
3-8	<a href="#">262994</a>	Diaphragm,Fuel Pump	1	
3-9	<a href="#">282576</a>	Gasket	1	
3-10	<a href="#">289396</a>	Main Jet	1	
3-11	<a href="#">261871</a>	O-Ring	1	
3-12	<a href="#">261876</a>	E-Ring	1	
3-13	<a href="#">261658</a>	Swivel	1	
3-14	<a href="#">264682</a>	Screw	2	
3-15	<a href="#">262996</a>	Screw	4	
3-16	<a href="#">288517</a>	Gasket	1	
3-17	<a href="#">283773</a>	Stay	1	
3-18	<a href="#">283771</a>	Gasket	2	
3-19	<a href="#">248152</a>	Case Ass'y	1	
3-20	<a href="#">277320</a>	Element	1	
3-21	<a href="#">262720</a>	Cap Screw	2	M5x55
3-22	<a href="#">283772</a>	Cleaner Cover	1	Incl.25-37
3-23	<a href="#">281438</a>	Knob	1	
3-24	<a href="#">277028</a>	Fuel Tank Ass'y	1	
3-25	<a href="#">275618</a>	Fuel Tank	1	
3-26	<a href="#">289046</a>	Tank Cap Ass'y	1	
3-27	<a href="#">287058</a>	Gasket	1	Incl.29-37 Incl.30-32
3-28	<a href="#">289279</a>	Fuel Pipe Pick-up Ass'y	1	
3-29	<a href="#">289280</a>	Fuel Pipe Ass'y	1	
3-30	<a href="#">268065</a>	Grommet	1	
3-31	<a href="#">289451</a>	Breather	1	
3-32	<a href="#">261117</a>	Clip	1	
3-33	<a href="#">289028</a>	Pipe A	1	
3-34	<a href="#">288921</a>	Joint	1	
3-35	<a href="#">289029</a>	Pipe	1	
3-36	<a href="#">277887</a>	Filter Ass'y	1	M5x18
3-37	<a href="#">261117</a>	Clip	3	
3-38	<a href="#">261117</a>	Clip	1	
3-39	<a href="#">269690</a>	Cap Screw	4	
3-40	<a href="#">285188</a>	Label	1	

4. ACCESSORIES

