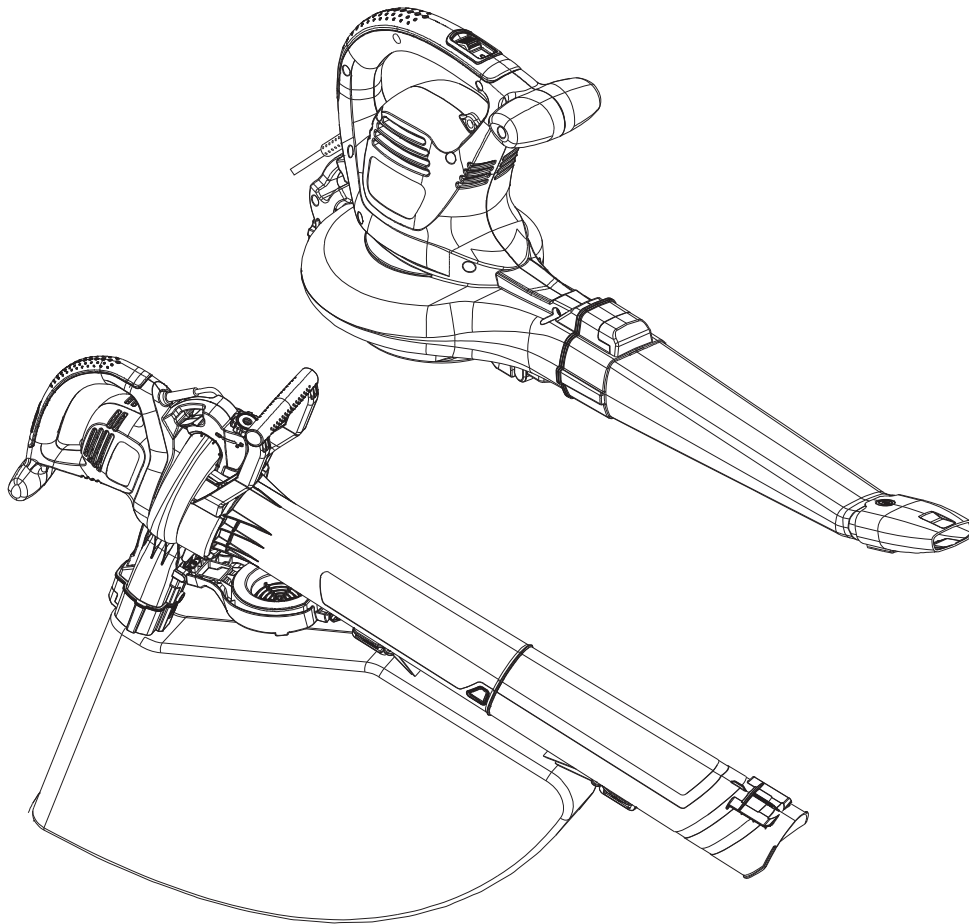




12 Amp Motor Electric Blower Vacuum

Operator's manual
Model : BLVE12-M



For customer support, please call 1-800-261-3981 or send email to:

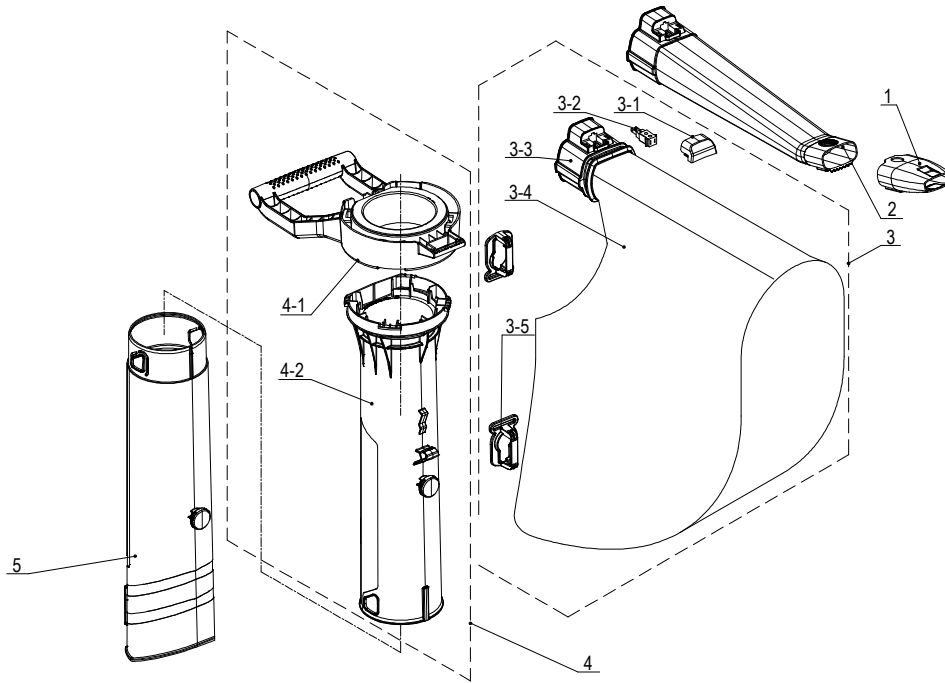
Service@senixtools.com

SAVE THIS MANUAL FOR FUTURE REFERENCE.

8458-A072012001-001

PARTS

EXPLODED VIEW



PARTS

No.	Part #	Description	Qty.
1	202041000012	Flat Nose	1
2	202054000039	Blowpipe	1
3	199068000012	Dust Bag Assembly	1
3-1	202030001729	Shroud	1
3-2	202999001785	U type male terminal block	1
3-3	202154000009	Bend Tube	1
3-4	299010000031	Dust Bag	1
4	199049000033	Duct Components	1
4-1	202024002548	Handle	1
4-2	202155000033	Blowpipe	1
5	202155000034	Blowpipe	1

For replacement parts, email: parts@SENIXtools.com.