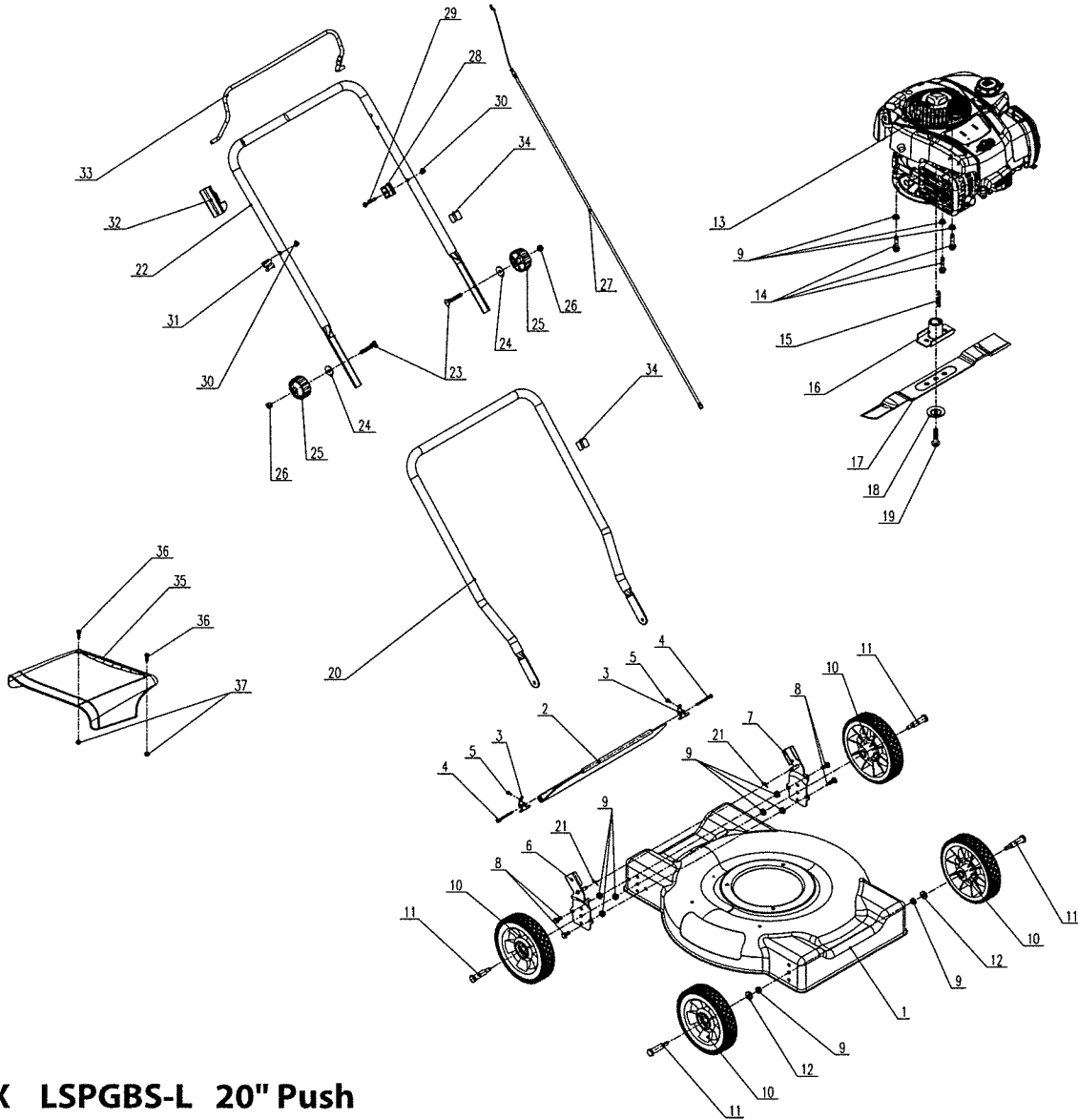


PARTS LIST



SENIX LSPGBS-L 20" Push

Ref. No.	Part No.	Description
1	20105000127	Deck
2	202006000100	Flap
3	8187-510804-0000000	Bracket
4	85JGB50-50D	Screw
5	85JGN04-10D	Screw
6	201084000038	Right handle support
7	201084000037	Left handle support
8	85FDD08-16D	Hex bolt
9	8NE-08D01	Flange nut
10	207150100017	Wheel
11	201026000434	Axle
12	207280100032	Axle sleeve
13	205001000323	Engine Head Assembly
14	85QDD08-35D	Hex flange bolt
15	8205-910803-0000000	Crankshaft key
16	201101000060	Blade adapter
17	201045000244	Blade

Ref. No.	Part No.	Description
19	8206-910601-0000000	Blade bolt
20	201139000089	Lower handle
21	201102000008	Clamp
22	201139000090	Upper handle
23	207220900019	Bolt
24	207050100037	Flat washer
25	8313-910101-0000120	Handle knob
26	207320100157	Hex nut
27	199081000130	Cable assembly
28	8141-911602-0100120	Cable clamp
29	85FDD06-35Q	Hex bolt
30	8207-911809-0000000	Cap nut
31	201096000010	Pull start holder
32	8141-911601-0000120	Mount
33	201120000075	Blade control handle
34	202157000125	Cable clip
35	202012000535	Shield