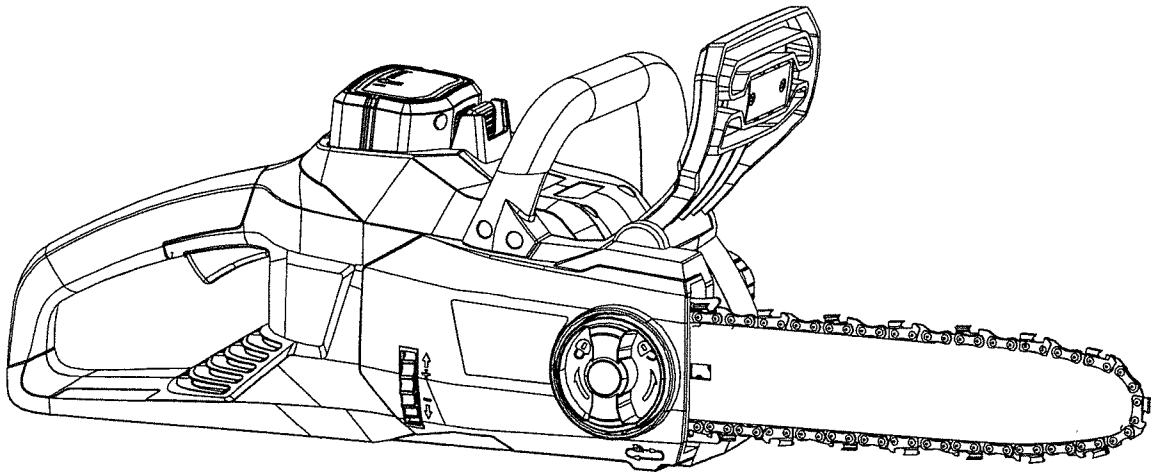




---

# 58V MAX LITHIUM ION CORDLESS CHAINSAW

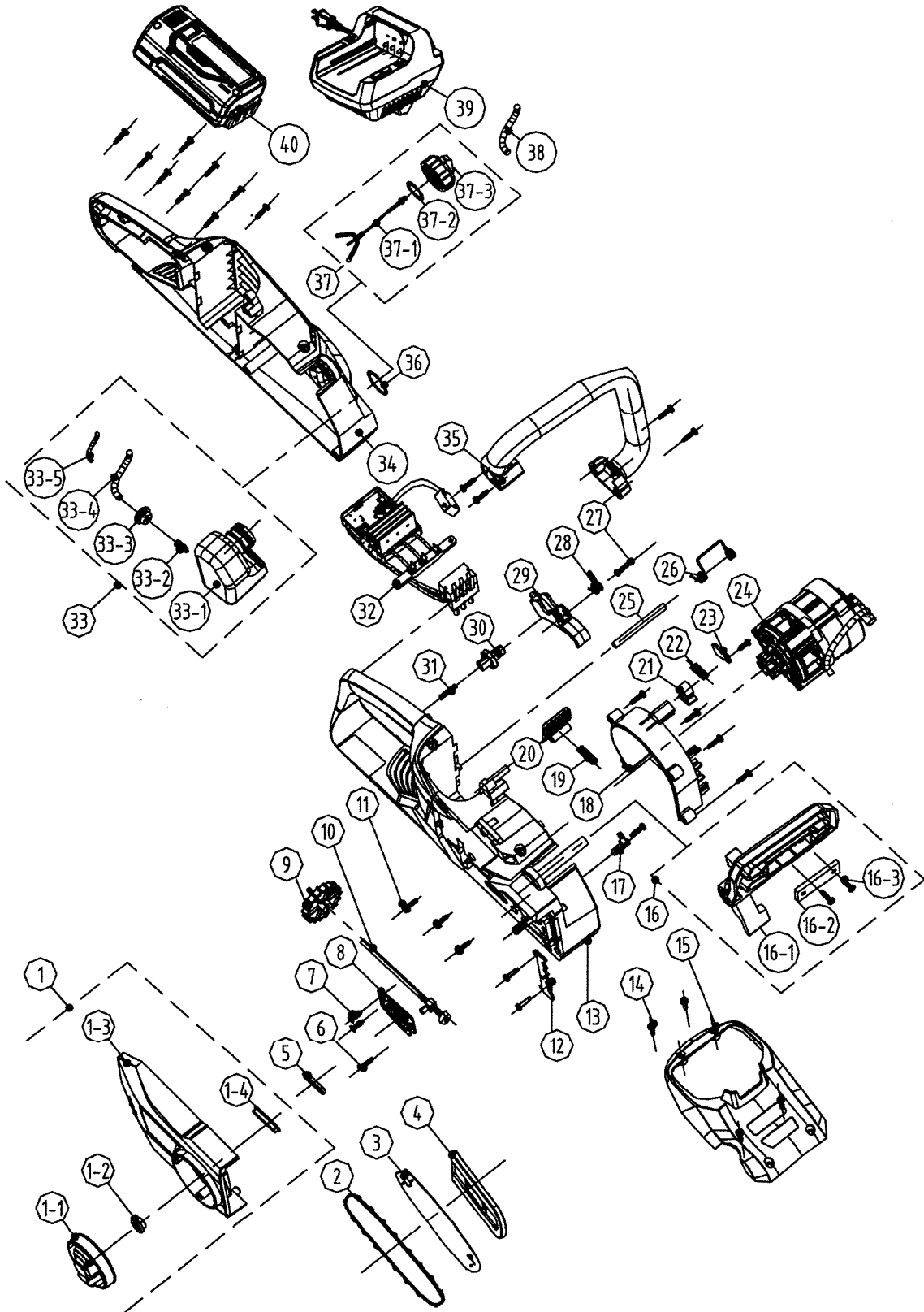
Operator's manual  
Model: CSX5-M



For customer support, please call 1-800-261-3981 or send email to:  
[support@senixtools.com](mailto:support@senixtools.com)  
SAVE THIS MANUAL FOR FUTURE REFERENCE.

PARTS

EXPLODED VIEW



## WARRANTY

No.	Part #	Description	Qty.
1		Blade Tension Cap Assembly	1
1-1		Tension Lock Knob	1
1-2		Spindle Cover	1
1-3		Bar Cover	1
1-4		Cover Seal	1
2		Chain	1
3		Guide Bar	1
4		Sheath	1
5		Oil Feed Seal	1
6		Screw	22
7		Screw	2
8		Insulating Washer	1
9		Tension Adjusting Knob	1
10		Tension Adjustment Rod	1
11		Screw	3
12		Bucking Teeth	1
13		Right Housing	1
14		Screw	4
15		Upper cover	1
16		Brake Handle Assembly	1
16-1		Brake Handle	1
16-2		Guard Plate	1
16-3		Screw	2
17		Oil Outlet Nozzle	1
18		Housing Vent	1
19		Battery Pack Release Spring	1
20		Battery Pack Release Lever	1
21		Lock	1

No.	Part #	Description	Qty.
22		Bake Spring	1
23		Clamp	1
24		Motor	1
25		Shaft	1
26		Spring	1
27		Screw	1
28		Torsion Spring	1
29		Trigger	1
30		Safety Button	1
31		Safety Spring	1
32		PCB	1
33		Oil Tank Assembly	1
33-1		Oil Tank	1
33-2		Filter	1
33-3		Seal	1
33-4		Oil Tube (90)	1
33-5		Spring (60)	1
34		Left Housing	1
35		Handle	1
36		Rubber Washer	1
37		Oil Cap Assembly	1
37-1		Hanger	1
37-2		Seal Ring	1
37-3		Oil Cap	1
38		Oil Tube (120)	1
39		Charger	1
40		4.0Ah Battery	1

For replacement parts, email: [parts@SENIXtools.com](mailto:parts@SENIXtools.com).