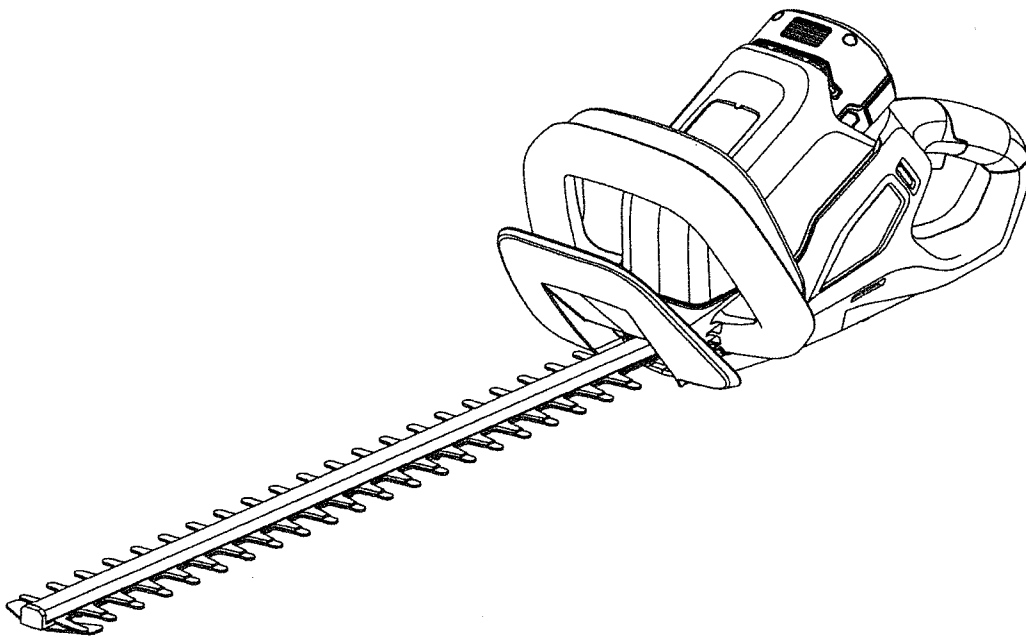


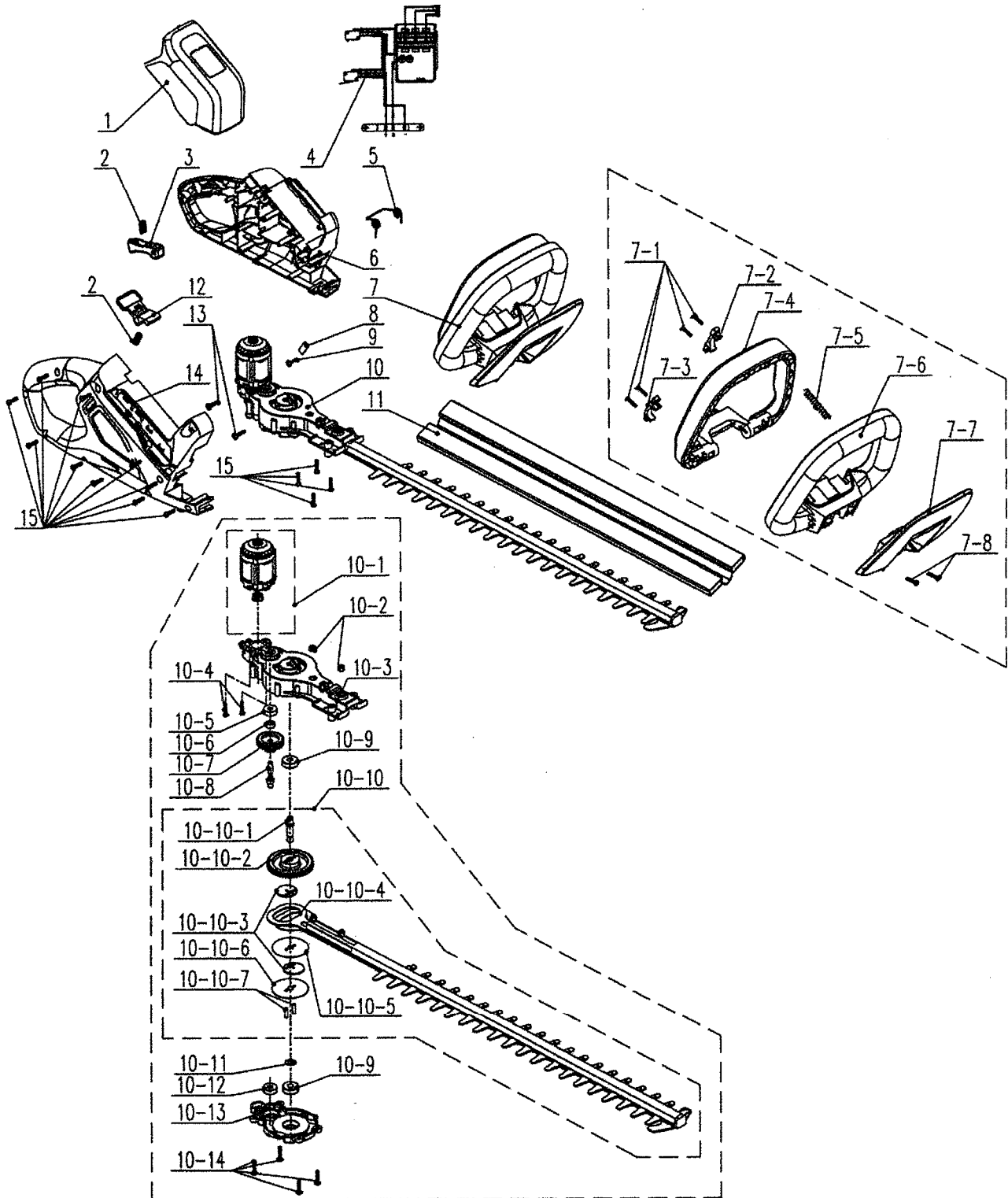


58V MAX LITHIUM ION HEDGE TRIMMER

Operator's manual
Model: HTX5-M
HTX5-M-0



PARTS
EXPLODED VIEW



| No. | Part # | Description | Qty. |
|---------|--------------|---------------------------------|------|
| 1 | 202033000400 | Decorative cover | 1 |
| 2 | 207019900109 | Lock push button spring | 2 |
| 3 | 202004000833 | Switch trigger | 1 |
| 4 | 102003000398 | Electronic components | 1 |
| 5 | 207019900323 | Reset spring | 1 |
| 6 | 202016003465 | Left housing | 1 |
| 7 | L1809012 | Handle assembly | 1 |
| 7.1 | 207310100149 | Countersunk head tapping screws | 4 |
| 7.2 | 202029000210 | Left platen | 1 |
| 7.3 | 202029000211 | Right platen | 1 |
| 7.4 | 202024002220 | Front handle | 1 |
| 7.5 | 207019900038 | Button spring | 1 |
| 7.6 | 202999001731 | Handle stent | 1 |
| 7.7 | 202012000443 | Shield | 1 |
| 7.8 | 207310100046 | Self tapping screws | 2 |
| 8 | 299999000054 | Clamp | 1 |
| 9 | 207310100326 | Flange tapping screw | 1 |
| 10 | L1809013 | Gear box components | 1 |
| 10.1 | 101001000441 | Motor assy' | 1 |
| 10.2 | 207320100078 | Six angle lock nut | 2 |
| 10.3 | 202005000016 | Gear box | 1 |
| 10.4 | 207310100276 | Pan head tapping screws | 2 |
| 10.5 | 207390100014 | 626 bearing | 1 |
| 10.6 | 207289900093 | Spindle cover | 1 |
| 10.7 | 201004000338 | Duplicate gear | 1 |
| 10.8 | 201025000103 | Output shaft | 1 |
| 10.9 | 207390100001 | 608Z bearing | 2 |
| 10.10 | 199999001345 | Output shaft assy' | 1 |
| 10.10.1 | 201025000102 | Output shaft | 1 |
| 10.10.2 | 201004000341 | Big gear | 1 |
| 10.10.3 | 201005000015 | Wobbler | 2 |
| 10.10.4 | 199029000207 | Blade assy' | 1 |
| 10.10.5 | 201999000895 | Blade separator | 1 |
| 10.10.6 | 207059900258 | Base plate | 1 |
| 10.10.7 | 207199900065 | Pin | 2 |
| 10.11 | 201999000919 | Grinding pad | 1 |
| 10.12 | 207390200008 | 607 bearing | 1 |
| 10.13 | 202011000383 | End cover | 1 |
| 10.14 | 207310100119 | Flange tapping screw | 4 |
| 11 | 202009000171 | Blade Guard | 1 |
| 12 | 202003001625 | The battery pack button | 1 |
| 13 | 207310100119 | Flange tapping screw | 2 |
| 14 | 202016003466 | Right housing | 1 |
| 15 | 207310100046 | Self tapping screws | 14 |

For replacement parts, email: parts@SENIXtools.com.