

# PARTS LIST

M300QC

## CONTENTS

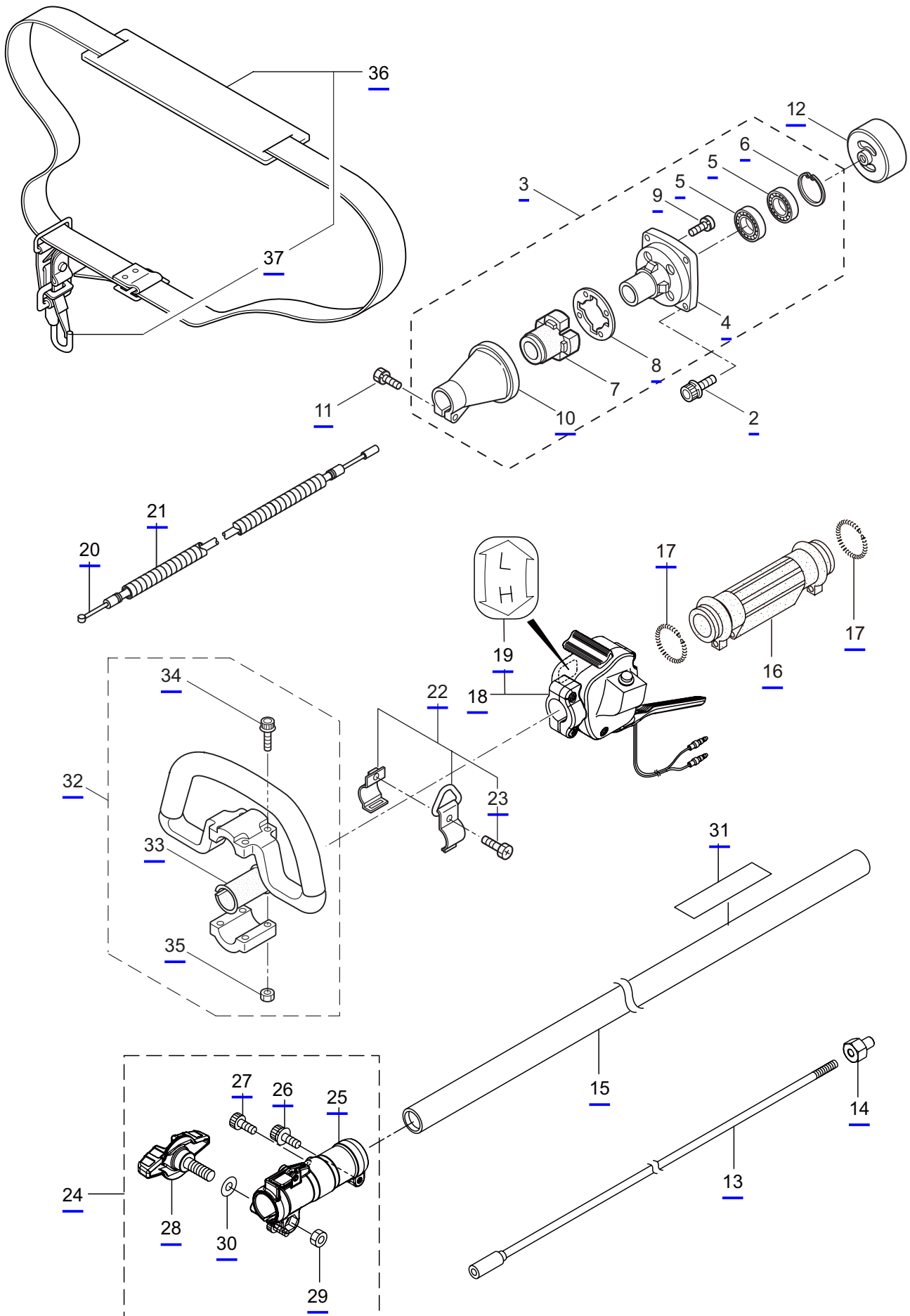
1. MAIN BODY .....	1 ~ 2
2. ACCESSORIES .....	3 ~ 4
3. ENGINE .....	5 ~ 8
4. CARBURETOR, FUEL TANK .....	9 ~ 12

2019. 12.



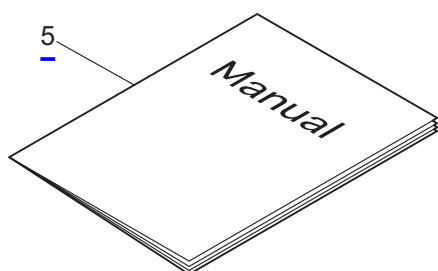
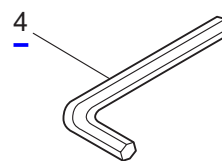
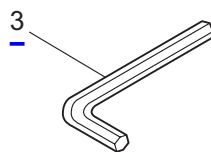
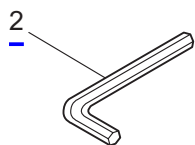
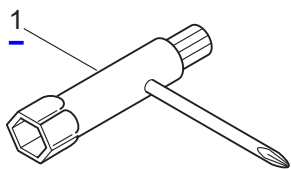
P/N 524920

1. M300QC  
MAIN BODY



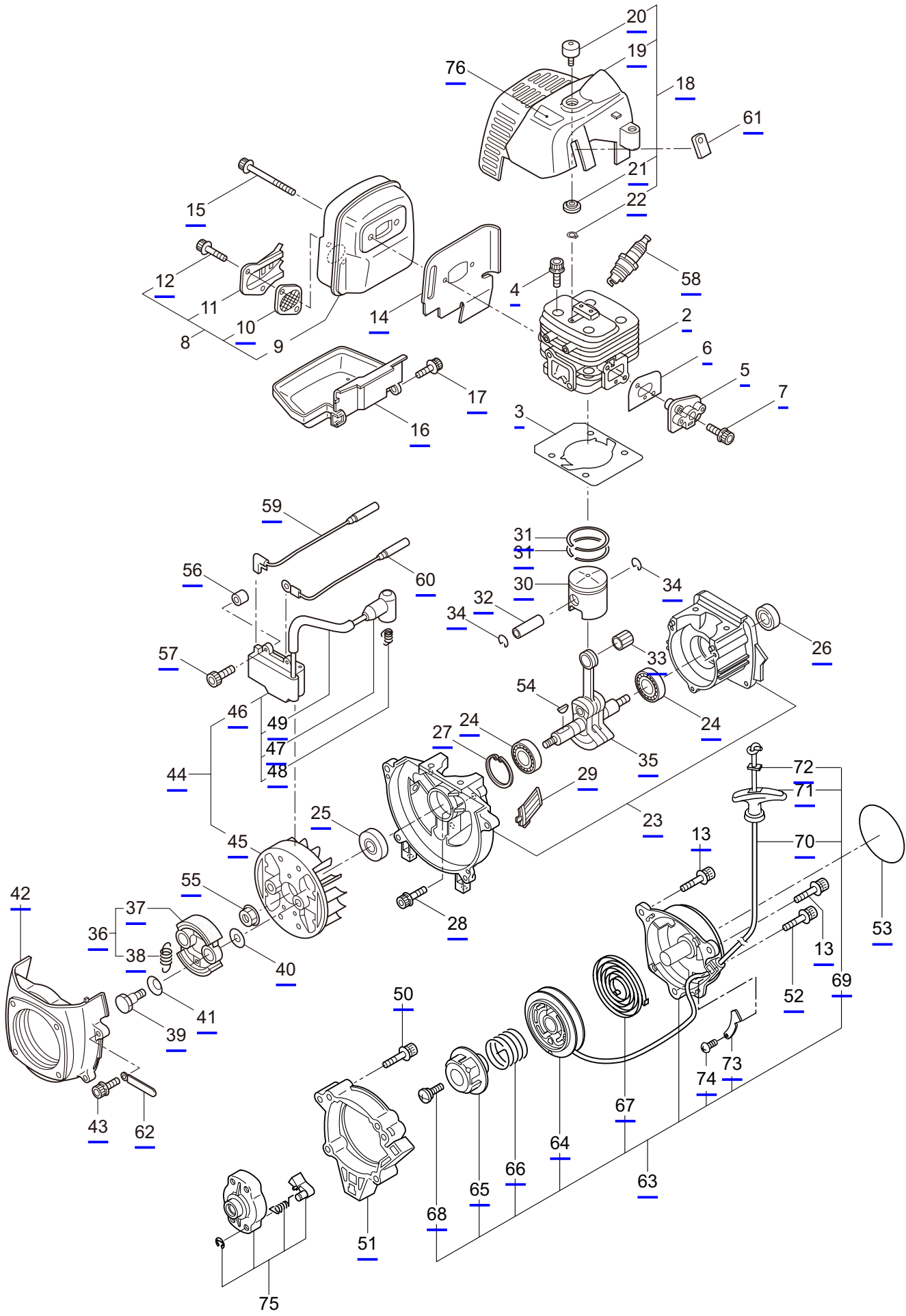
Ref. No.	Part No.	Part Name	Q'ty	Remarks
1-1	<a href="#">364859</a>	<a href="#">M300QC</a>	1	
1-2	<a href="#">261250</a>	Cap Screw	4	M5x20
1-3	<a href="#">215512</a>	Clutch Case Ass'y	1	Incl.4-10
1-4	<a href="#">214592</a>	Bearing Case	1	
1-5	<a href="#">214161</a>	Bearing	2	#6000ZZ
1-6	<a href="#">054676</a>	Snap Ring	1	#26
1-7	<a href="#">560309</a>	Buffer	1	
1-8	<a href="#">214163</a>	Washer	1	
1-9	<a href="#">092033</a>	Screw	4	M5x15
1-10	<a href="#">214593</a>	Driveshaft Tube Adapter	1	
1-11	<a href="#">261246</a>	Cap Screw	1	M5x25
1-12	<a href="#">054677</a>	Clutch Drum	1	
1-13	<a href="#">236836</a>	Driveshaft Ass'y	1	
1-14	<a href="#">211464</a>	Upper Adapt	1	
1-15	<a href="#">242650</a>	Driveshaft Tube Ass'y	1	
1-16	<a href="#">211736</a>	Shaft Grip	1	
1-17	<a href="#">211737</a>	Band	2	
1-18	<a href="#">242050</a>	Throttle Trigger Ass'y	1	Incl.19
1-19	<a href="#">237241</a>	Label	1	
1-20	<a href="#">235752</a>	Throttle Cable	1	
1-21	<a href="#">213548</a>	Plastic Tube	1	#10x200L
1-22	<a href="#">054691</a>	Hanging Bracket Ass'y	1	Incl.23
1-23	<a href="#">089738</a>	Bolt	1	M5x15
1-24	<a href="#">237165</a>	Joint Pipe Ass'y	1	Incl.25-30
1-25	<a href="#">237166</a>	Joint Pipe	1	
1-26	<a href="#">261246</a>	Cap Screw	1	M5x25
1-27	<a href="#">283139</a>	Screw	1	M5x12
1-28	<a href="#">236962</a>	Knob	1	M8x26
1-29	<a href="#">126990</a>	Nut	1	M8
1-30	<a href="#">550131</a>	Washer	1	M8
1-31	<a href="#">242114</a>	Label	1	<a href="#">M300QC</a>
1-32	<a href="#">215601</a>	Loop Handle Ass'y	1	Incl.33-35
1-33	<a href="#">213171</a>	Packing	1	
1-34	<a href="#">215608</a>	Cap Screw	4	M5x30x16
1-35	<a href="#">081027</a>	Nut	4	M5
1-36	<a href="#">220533</a>	Hanging Strap Ass'y	1	Incl.37
1-37	<a href="#">231657</a>	<a href="#">Hook</a>	1	

2. M300QC  
ACCESSORIES



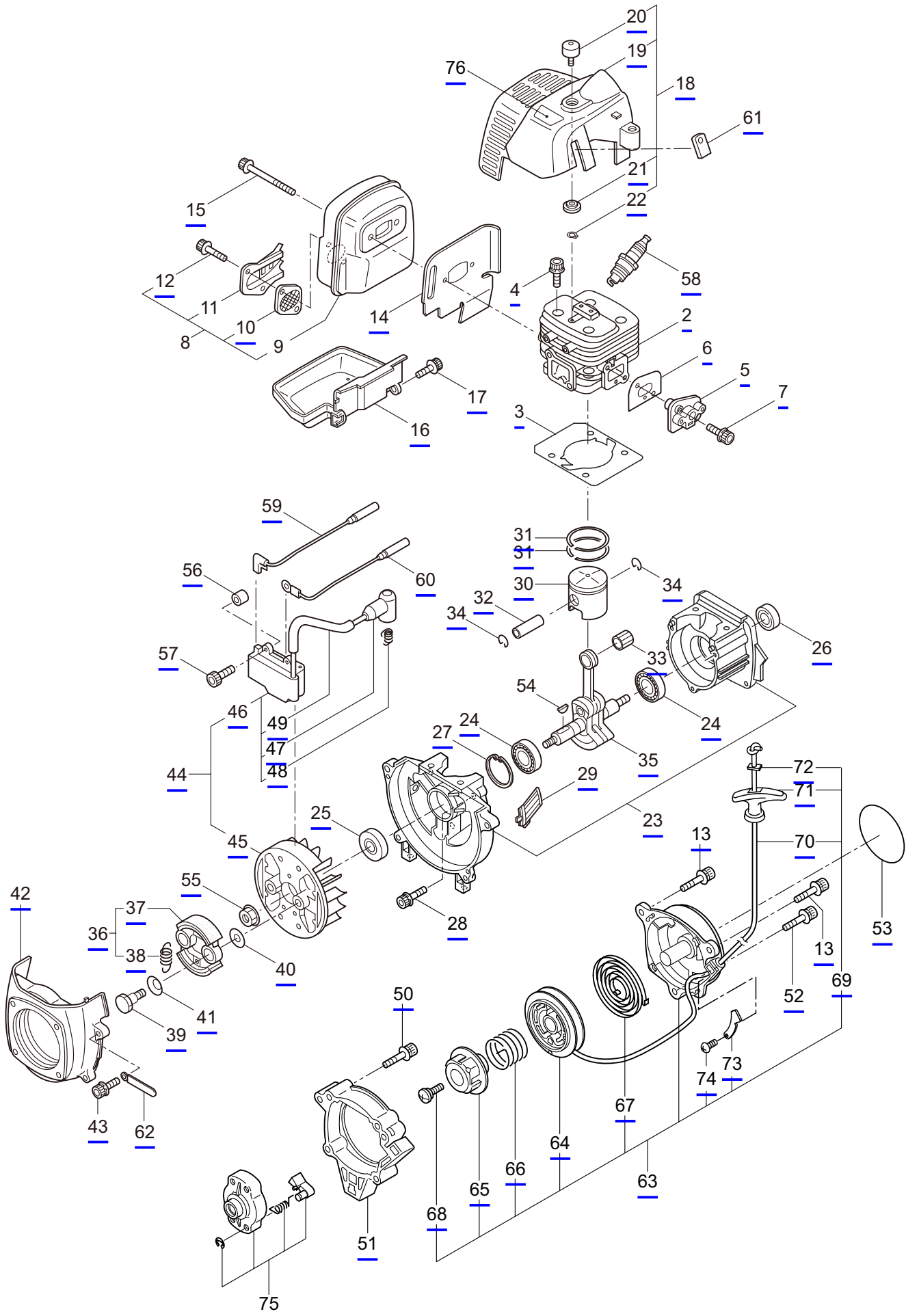
Ref. No.	Part No.	Part Name	Q'ty	Remarks
2-1	<a href="#">210418</a>	Box Spanner	1	13x19x(+)
2-2	<a href="#">219431</a>	Wrench	1	3mm
2-3	<a href="#">219432</a>	Wrench	1	4mm
2-4	<a href="#">219433</a>	Wrench	1	5mm
2-5	242109	Instruction Manual	1	M270QC/300QC

### 3. M300QC ENGINE



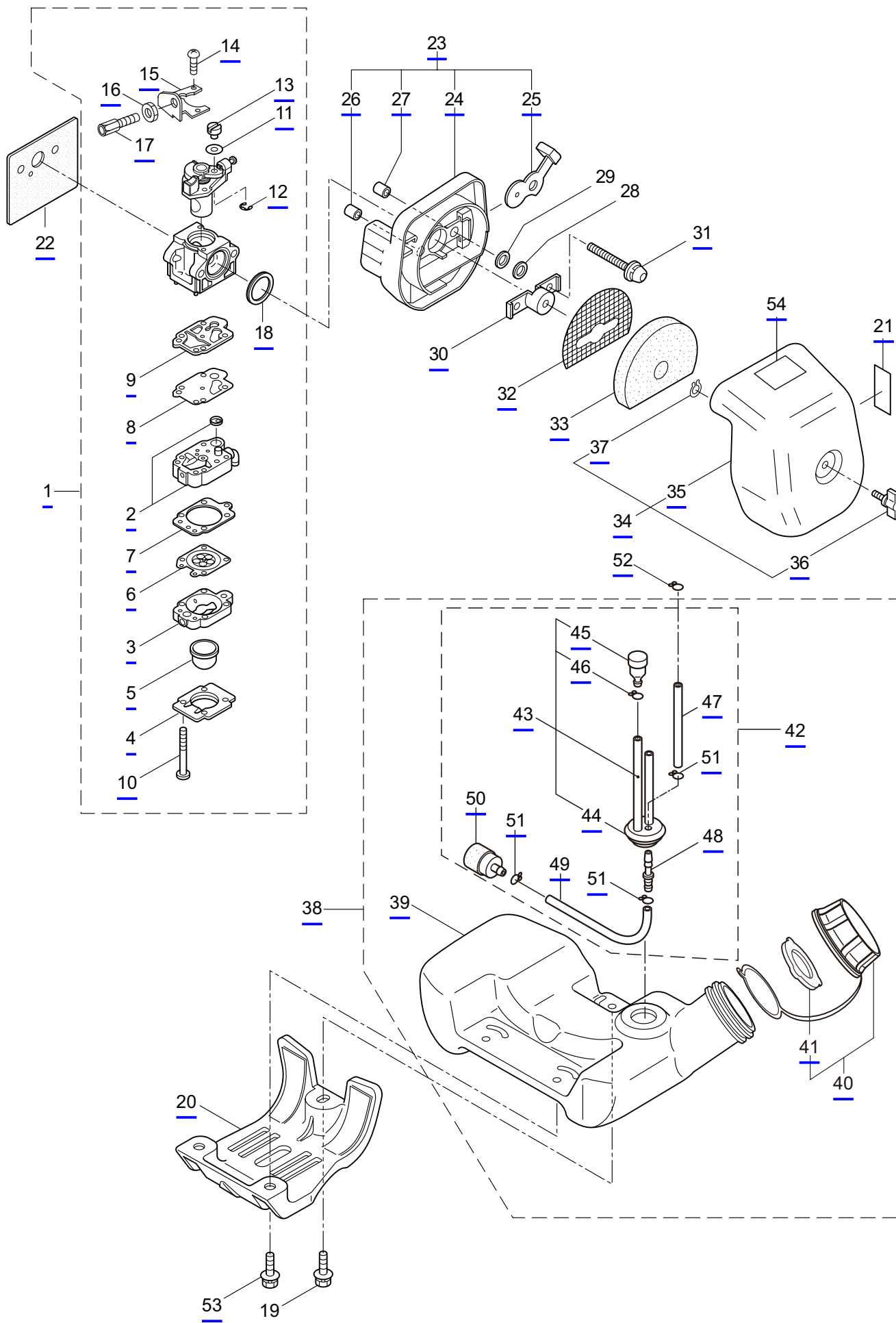
Ref. No.	Part No.	Part Name	Q'ty	Remarks
3-1	<u>875366</u>	Engine	1	CE300/109
3-2	<u>286791</u>	Cylinder	1	
3-3	<u>286846</u>	Gasket	1	
3-4	<u>261250</u>	Cap Screw	4	M5x20
3-5	<u>269144</u>	Insulator	1	New gasket required
3-6	<u>267049</u>	Gasket	1	
3-7	<u>265924</u>	Cap Screw	2	M5x25
3-8	<u>283007</u>	Muffler Ass'y	1	Incl.9-12
3-9	<u>283003</u>	Muffler Comp	1	
3-10	<u>267056</u>	Spark Arrester	1	
3-11	<u>268171</u>	Muffler Tail	1	
3-12	<u>265107</u>	Cap Screw	2	M4x10
3-13	<u>283391</u>	Cap Screw	2	M4x20
3-14	<u>281440</u>	Gasket	1	
3-15	<u>266402</u>	Cap Screw	2	M5x55
3-16	<u>281435</u>	Under Cover	1	
3-17	<u>267191</u>	Cap Screw	1	M5x16
3-18	<u>286707</u>	Top Cover Ass'y	1	Incl.19-22
3-19	<u>281434</u>	Top Cover	1	
3-20	<u>286300</u>	Knob	1	
3-21	<u>261020</u>	Spacer	1	
3-22	<u>261734</u>	Snap Ring	1	#5
3-23	<u>286851</u>	Crankcase	1	
3-24	<u>280488</u>	Bearing	2	PPL 6001
3-25	<u>261492</u>	Oil Seal	1	ISCD12287
3-26	<u>261386</u>	Oil Seal	1	ISCD12227
3-27	<u>055185</u>	Snap Ring	1	H28
3-28	<u>261612</u>	Cap Screw	3	M5x30
3-29	<u>281442</u>	Screen	1	
3-30	<u>283380</u>	Piston	1	
3-31	<u>265067</u>	Piston Ring	2	(2)Required
3-32	<u>265068</u>	Piston Pin	1	
3-33	<u>265225</u>	Bearing,Needle	1	
3-34	<u>261393</u>	Clip,Piston Pin	2	
3-35	<u>265141</u>	Crankshaft/Conn.Rod Ass'y	1	
3-36	<u>267327</u>	Clutch Ass'y	1	Incl.37,38
3-37	<u>267342</u>	Clutch Shoe	2	(2)required
3-38	<u>267345</u>	Spring,Clutch	1	
3-39	<u>264505</u>	Bolt	2	
3-40	<u>261189</u>	Washer	2	6x16.5xt1.2
3-41	<u>261777</u>	Wave Washer	2	
3-42	<u>281433</u>	Fan Cover	1	
3-43	<u>261250</u>	Cap Screw	4	M5x20
3-44	<u>287898</u>	Magneto Ass'y	1	Incl.45-49
3-45	<u>287902</u>	Rotor/Fan	1	

### 3. M300QC ENGINE



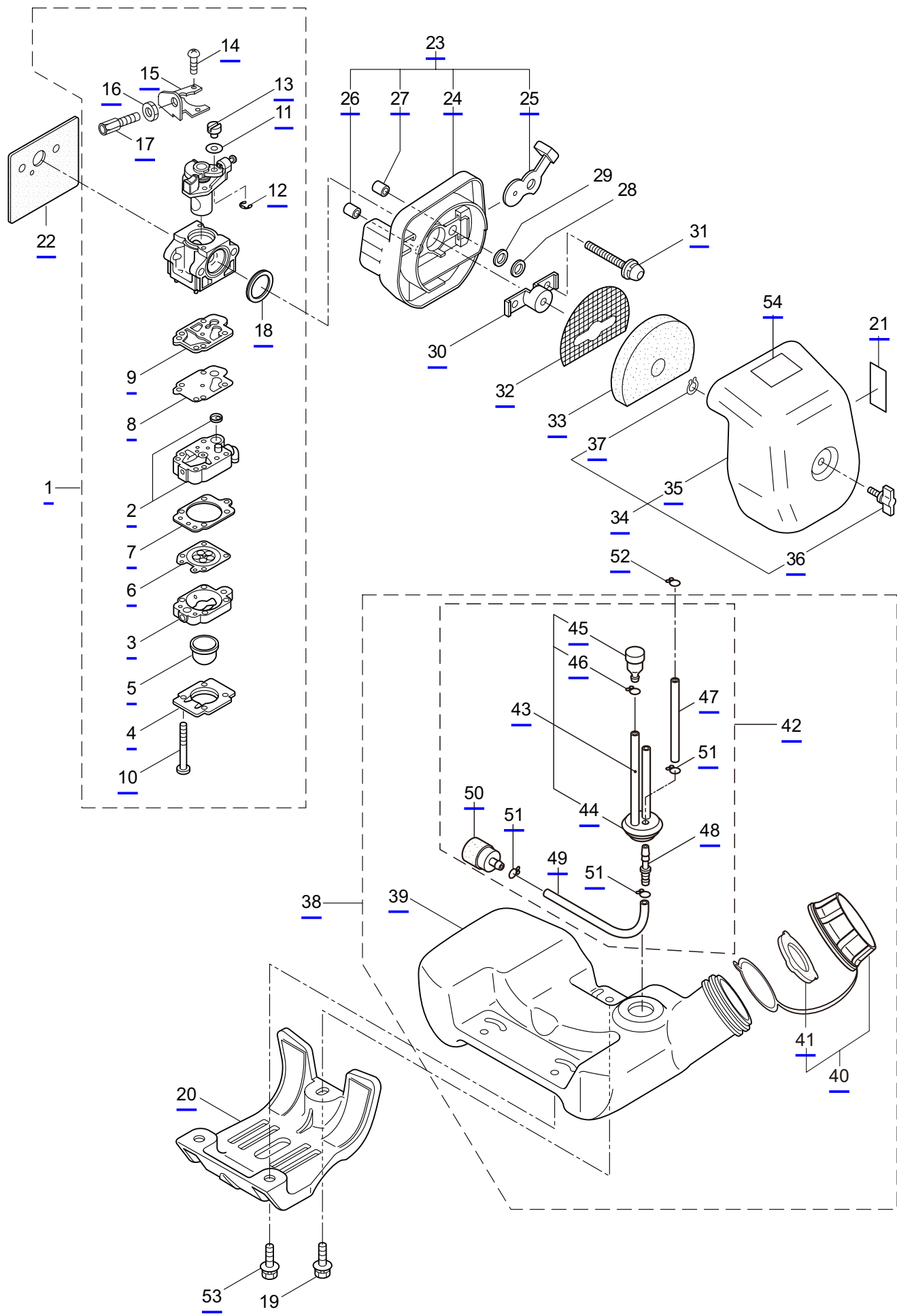
Ref. No.	Part No.	Part Name	Q'ty	Remarks
3-46	<a href="#">281746</a>	Ignition Coil Ass'y	1	Incl.47-49
3-47	<a href="#">269714</a>	Plug Boot	1	
3-48	<a href="#">269715</a>	Connector	1	
3-49	<a href="#">281756</a>	Insulator	1	
3-50	<a href="#">265726</a>	Cap Screw	4	M4x16
3-51	<a href="#">284698</a>	Adapter Ass'y	1	
3-52	<a href="#">282096</a>	Cap Screw	1	M4x16WSW
3-53	<a href="#">246567</a>	Label	1	CER300
3-54	<a href="#">261076</a>	Woodruff Key	1	3x10
3-55	<a href="#">261417</a>	Nut,Rotor	1	M8
3-56	<a href="#">280381</a>	Spacer	2	
3-57	<a href="#">261256</a>	Cap Screw	2	M4x25
3-58	<a href="#">285982</a>	Spark Plug	1	NGK <a href="#">BPM8Y</a>
3-59	<a href="#">269722</a>	Lead	1	
3-60	<a href="#">268044</a>	Lead	1	
3-61	<a href="#">269189</a>	Grommet	1	
3-62	<a href="#">264588</a>	Clamp	1	
3-63	<a href="#">273254</a>	Starter Ass'y	1	Incl.64-74
3-64	<a href="#">283504</a>	Reel	1	
3-65	<a href="#">283505</a>	Cam Plate	1	
3-66	<a href="#">283506</a>	Spring	1	
3-67	<a href="#">261721</a>	Spiral Spring	1	
3-68	<a href="#">267213</a>	Screw	1	
3-69	<a href="#">273261</a>	Rope Ass'y	1	Incl.70-72
3-70	<a href="#">283579</a>	Stater Rope	1	
3-71	<a href="#">287651</a>	Starter Grip	1	
3-72	<a href="#">283511</a>	Rope Stopper	1	
3-73	<a href="#">277328</a>	Cover	1	
3-74	<a href="#">273037</a>	Screw	1	
3-75	<a href="#">283575</a>	Starter Pawl Ass'y	1	
3-76	<a href="#">246642</a>	Label	1	MARUYAMA <a href="#">M300QC</a>

# 4. M300QC CARBURETOR, FUEL TANK



Ref. No.	Part No.	Part Name	Q'ty	Remarks
4-1	<a href="#">282542</a>	Carburetor Ass'y	1	Incl.2-18 New gasket required
4-2	<a href="#">264155</a>	Pump Body	1	
4-3	<a href="#">262991</a>	Purge Body	1	
4-4	<a href="#">262992</a>	Cover Plate	1	
4-5	<a href="#">261874</a>	Primer Bulb	1	
4-6	<a href="#">283905</a>	Diaphragm, Meterring	1	
4-7	<a href="#">262993</a>	Gasket	1	
4-8	<a href="#">262994</a>	Diaphragm,Fuel Pump	1	
4-9	<a href="#">282576</a>	Gasket	1	
4-10	<a href="#">262996</a>	Screw	4	
4-11	<a href="#">264678</a>	Washer	1	
4-12	<a href="#">261876</a>	E-Ring	1	
4-13	<a href="#">261658</a>	Swivel	1	
4-14	<a href="#">261875</a>	Screw	2	
4-15	<a href="#">264677</a>	Bracket	1	
4-16	<a href="#">261878</a>	Nut	1	
4-17	<a href="#">263994</a>	Adapter	1	
4-18	<a href="#">261657</a>	Packing	1	
4-19	<a href="#">281715</a>	Cap Screw	1	M5x20
4-20	<a href="#">281441</a>	Stand	1	
4-21	<a href="#">261352</a>	Label	1	Choke
4-22	<a href="#">269762</a>	Gasket	1	
4-23	<a href="#">268055</a>	Air Filter Case Ass'y	1	Incl.24-27
4-24	<a href="#">268056</a>	Air Filter Case	1	
4-25	<a href="#">268057</a>	Valve	1	
4-26	<a href="#">268157</a>	Sleeve	1	5.5x7.1x6L
4-27	<a href="#">268412</a>	Sleeve	1	5.2x7.1x6.4L
4-28	<a href="#">263345</a>	Packing	1	7.2x11xt1.3
4-29	<a href="#">263942</a>	Washer	1	7.2x12xt0.15
4-30	<a href="#">263815</a>	Stay	1	
4-31	<a href="#">264016</a>	Cap Screw	2	M5x60
4-32	<a href="#">265026</a>	Screen	1	
4-33	<a href="#">265027</a>	Foam Element	1	
4-34	<a href="#">268058</a>	Air Filter Cover Ass'y	1	Incl.35-37
4-35	<a href="#">268059</a>	Air Filter Cover	1	
4-36	<a href="#">281438</a>	Knob	1	
4-37	<a href="#">261734</a>	Snap Ring	1	#5
4-38	<a href="#">246592</a>	Fuel Tank Ass'y	1	Incl.39-51
4-39	<a href="#">284820</a>	Fuel Tank	1	
4-40	<a href="#">289046</a>	Tank Cap Ass'y	1	Incl.41
4-41	<a href="#">287058</a>	Gasket	1	
4-42	<a href="#">289035</a>	Fuel Pipe Pick-up Ass'y	1	Incl.43-51
4-43	<a href="#">289036</a>	Fuel Pipe Ass'y	1	Incl.44-46
4-44	<a href="#">268065</a>	Grommet	1	
4-45	<a href="#">261590</a>	Breather	1	

# 4. M300QC CARBURETOR, FUEL TANK



Ref. No.	Part No.	Part Name	Q'ty	Remarks
4-46	<a href="#">261117</a>	Clip	1	
4-47	<a href="#">289028</a>	Pipe A	1	3x5x53L
4-48	<a href="#">288921</a>	Joint	1	
4-49	<a href="#">289033</a>	Pipe	1	3x5x100L
4-50	<a href="#">277887</a>	Filter Ass'y	1	
4-51	<a href="#">261117</a>	Clip	3	
4-52	<a href="#">261117</a>	Clip	1	
4-53	<a href="#">281714</a>	Cap Screw	2	M5x20
4-54	<a href="#">285188</a>	Label	1	