

PARTS LIST

MG51

CONTENTS

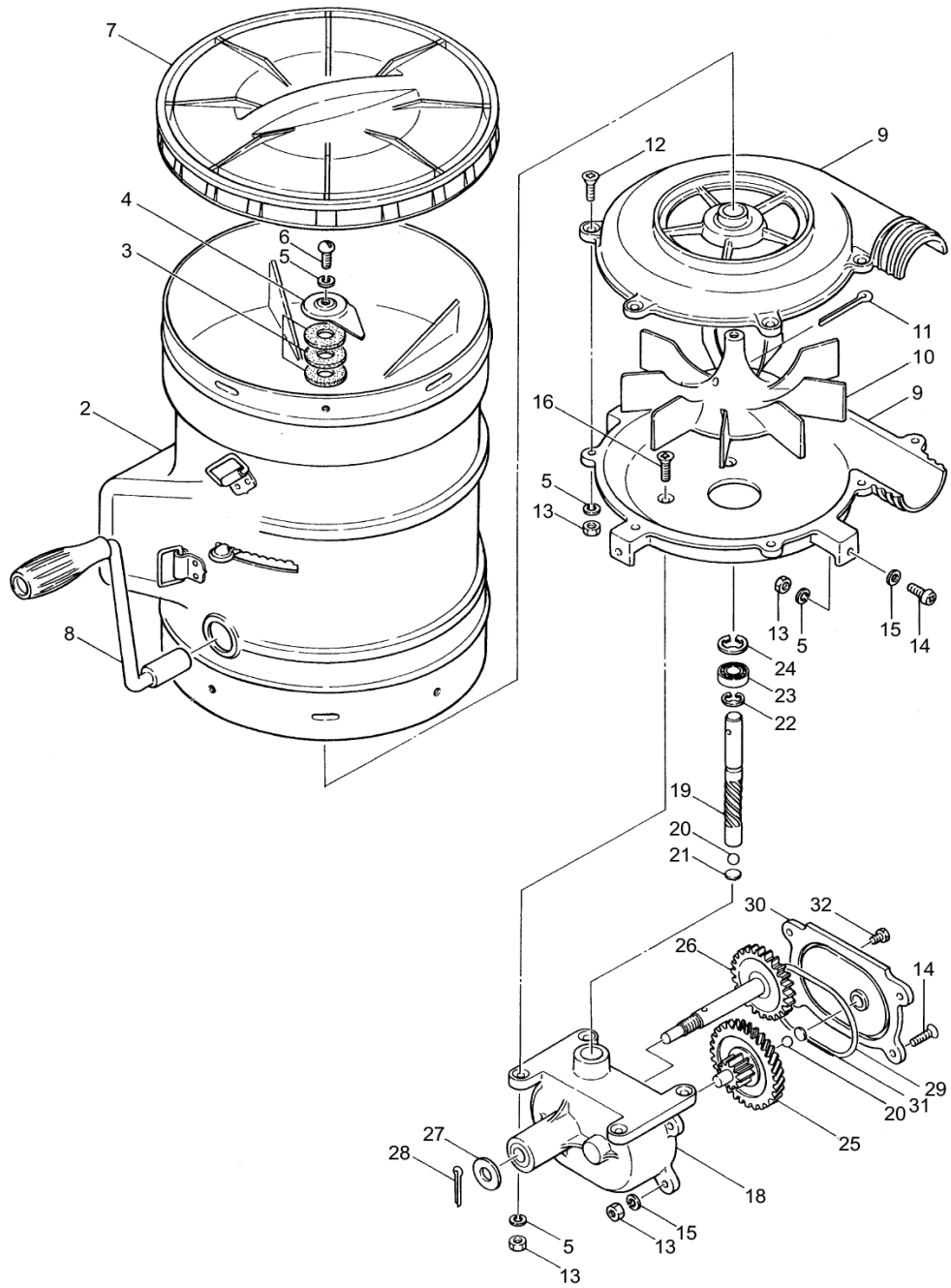
1. MAIN BODY	1 ~ 2
2. ACCESSORIES	3 ~ 4

2014. 05.



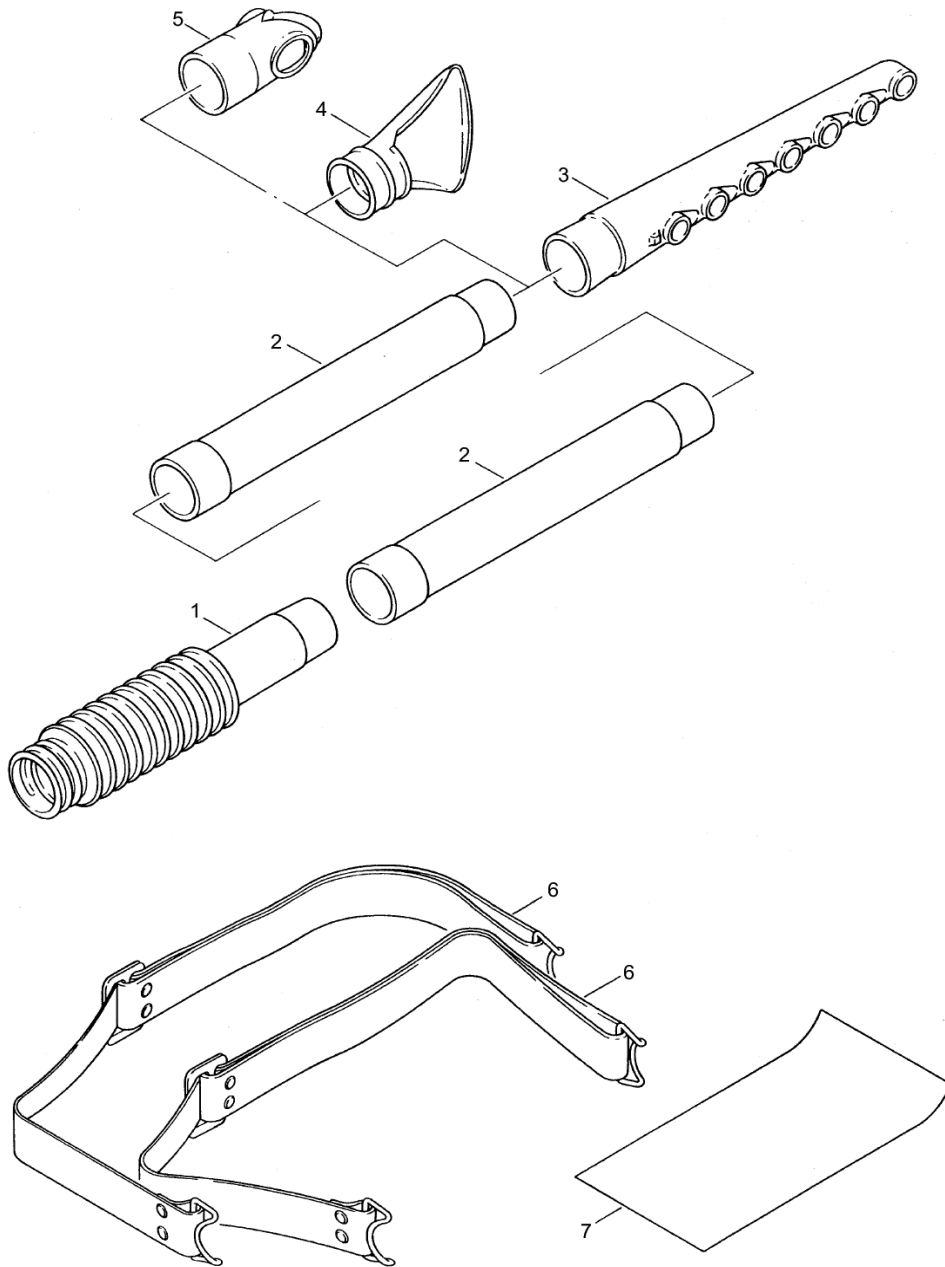
P/N 523808

1. MG51
MAIN BODY



Status	Position	Parts Number	Parts Name	Unit Quantity	Set Unit Quantity	Specification	Remarks	Maker code
	1	338129	MG51	1				
	2	570730	TANK MAIN BODY ASSY	1				
	3	941002	FELT PACKING	3	5			
	4	941003	AGITATOR	1				
	5	941004	SPRING WASHER M5	16	10		M5	
	6	941005	SCREW M5X10	1	5		M5x10, Counterclockwise	
	7	999985	TANK CAP	1				
	8	941011	HANDLE	1				
	9	941012	FAN CASE	1				
	10	570731	FAN	1				
	11	941014	COTTER PIN 3MMX35	1		3X35	3x35	
	12	941015	SCREW M5X18	7		M5X18	M5x18	
	13	941016	NUT	19	5	M5X0.8 1ｼｺ	M5	
	14	941017	SCREW M5X12	8			M5x12	
	15	941018	WASHER	8	10	M5 コｶﾞﾀﾏﾙ	M5	
	16	941019	SCREW M5X18	4			M5x18	
	17	941020	GEAR CASE ASSY	1			Incl.18-32	
	18	941021	GEAR CASE	1				
	19	941022	FAN SHAFT	1				
	20	941025	STEEL BALL	2			7/32	
	21	941054	WASHER 10MMX2T	4				
	22	941024	E-SHAPED SNAP RING	1	5	㊦ 8	#8	
	23	570732	BEARING	1			#6000Z	
	24	570733	C-SHAPED SNAP RING	1			#26	
	25	941026	SPIRAL GEAR	1				
	26	941027	GEAR	1				
	27	941028	WASHER M10	1			M10	
	28	941029	COTTER PIN 2.5MMX15	1			2.5x15L	
	29	570734	O-RING	1			S85	
	30	941031	GEAR CASE LID	1				
	31	570735	WASHER	1				
	32	570736	DRAIN PLUG	1			M6x1.0x8L	

2. MG51
ACCESSORIES



Status	Position	Parts Number	Parts Name	Unit Quantity	Set Unit Quantity	Specification	Remarks	Maker code
--------	----------	--------------	------------	---------------	-------------------	---------------	---------	------------

Status	Position	Parts Number	Parts Name	Unit Quantity	Set Unit Quantity	Specification	Remarks	Maker code
	1	941035	FLEXIBLE PIPE	1				
	2	941036	STRAIGHT PIPE	2				
	3	941037	MULTI BLOW PIPE	1				
	4	941038	DRIFFUSION BLOW PIPE	1				
	5	941039	Y BLOW HEAD	1				
	6	941040	BAND	1				
	7	570740	INSTRUCTION MANUAL	1			MG51	