

# PARTS LIST

MM91-V

## CONTENTS

1. FRAME & BLOWER .....	1
2. ENGINE (Cylinder, Crankcase) .....	5
3. ENGINE (Carburetor, Fuel Tank) .....	9
4. ACCESSORIES .....	11

2023. 07.



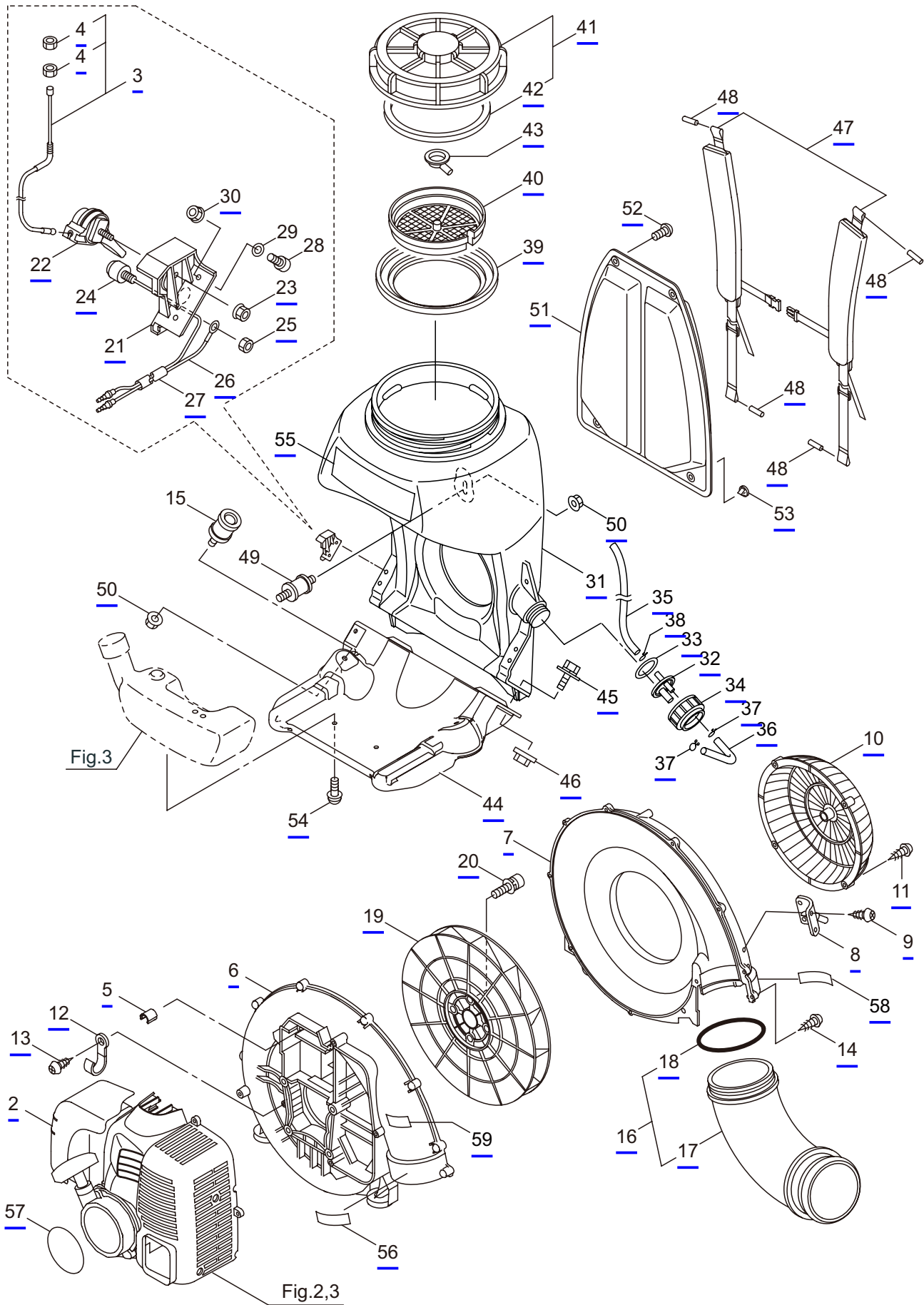
P/N 525270-1



Ref. No.	Part No.	Part Name	Q'ty	Remarks
1-1	<a href="#">352873</a>	MM91-V	1	
1-2	<a href="#">248584</a>	Engine	1	CE800D/05
1-3	<a href="#">663598</a>	Throttle Wire	1	Incl.4
1-4	<a href="#">261878</a>	Nut	2	M6
1-5	<a href="#">276361</a>	Collar	1	
1-6	<a href="#">662402</a>	Fan Case (E)	1	
1-7	<a href="#">662405</a>	Fan Case (S)	1	
1-8	<a href="#">127797</a>	Air Pass Plate	1	
1-9	<a href="#">126753</a>	Screw	4	M4x14
1-10	<a href="#">125413</a>	Cover	1	
1-11	<a href="#">127296</a>	Screw	4	M5x10
1-12	<a href="#">109051</a>	Clamp	1	
1-13	<a href="#">089806</a>	Screw	1	M5x10
1-14	<a href="#">130420</a>	Tapping Screw	11	M5x25
1-15	<a href="#">120615</a>	Buffer	2	
1-16	<a href="#">661894</a>	Elbow Pipe Ass'y	1	Incl.17,18
1-17	<a href="#">661895</a>	Elbow Pipe	1	
1-18	<a href="#">275873</a>	O-Ring	1	V95
1-19	<a href="#">275874</a>	Fan	1	
1-20	<a href="#">275877</a>	Cap Screw	4	M6X25
1-21	<a href="#">662575</a>	Stay	1	
1-22	<a href="#">115148</a>	Throttle Lever	1	
1-23	<a href="#">127226</a>	Nut	1	M5
1-24	<a href="#">275414</a>	Stop Switch Ass'y	1	
1-25	<a href="#">084003</a>	Nut	1	M8x1
1-26	<a href="#">114896</a>	Ground Wire	1	
1-27	<a href="#">114901</a>	Vinyl Hose	1	8x9x220L
1-28	<a href="#">183421</a>	Cap Screw	2	M5x16
1-29	<a href="#">127210</a>	Washer	2	5.3x16xt1.6
1-30	<a href="#">107746</a>	Nylon Nut	2	M5
1-31	<a href="#">663381</a>	Chemical Tank	1	
1-32	<a href="#">127729</a>	Joint	1	
1-33	<a href="#">108629</a>	Packing	1	
1-34	<a href="#">127810</a>	Cap	1	
1-35	<a href="#">127727</a>	Hose	1	6x9x600L
1-36	<a href="#">127798</a>	Hose	1	6x9x150L
1-37	<a href="#">112530</a>	Hose Band	2	
1-38	<a href="#">125370</a>	Hose Clamp	1	
1-39	<a href="#">101834</a>	Cover	1	
1-40	<a href="#">131152</a>	Strainer	1	
1-41	<a href="#">662542</a>	Chemical Tank Cap	1	Incl.42
1-42	<a href="#">662545</a>	Packing	1	
1-43	<a href="#">101915</a>	Inner Cap	1	
1-44	<a href="#">125429</a>	Backpack Frame B	1	
1-45	<a href="#">092582</a>	Bolt	4	M6x20

MM91-V

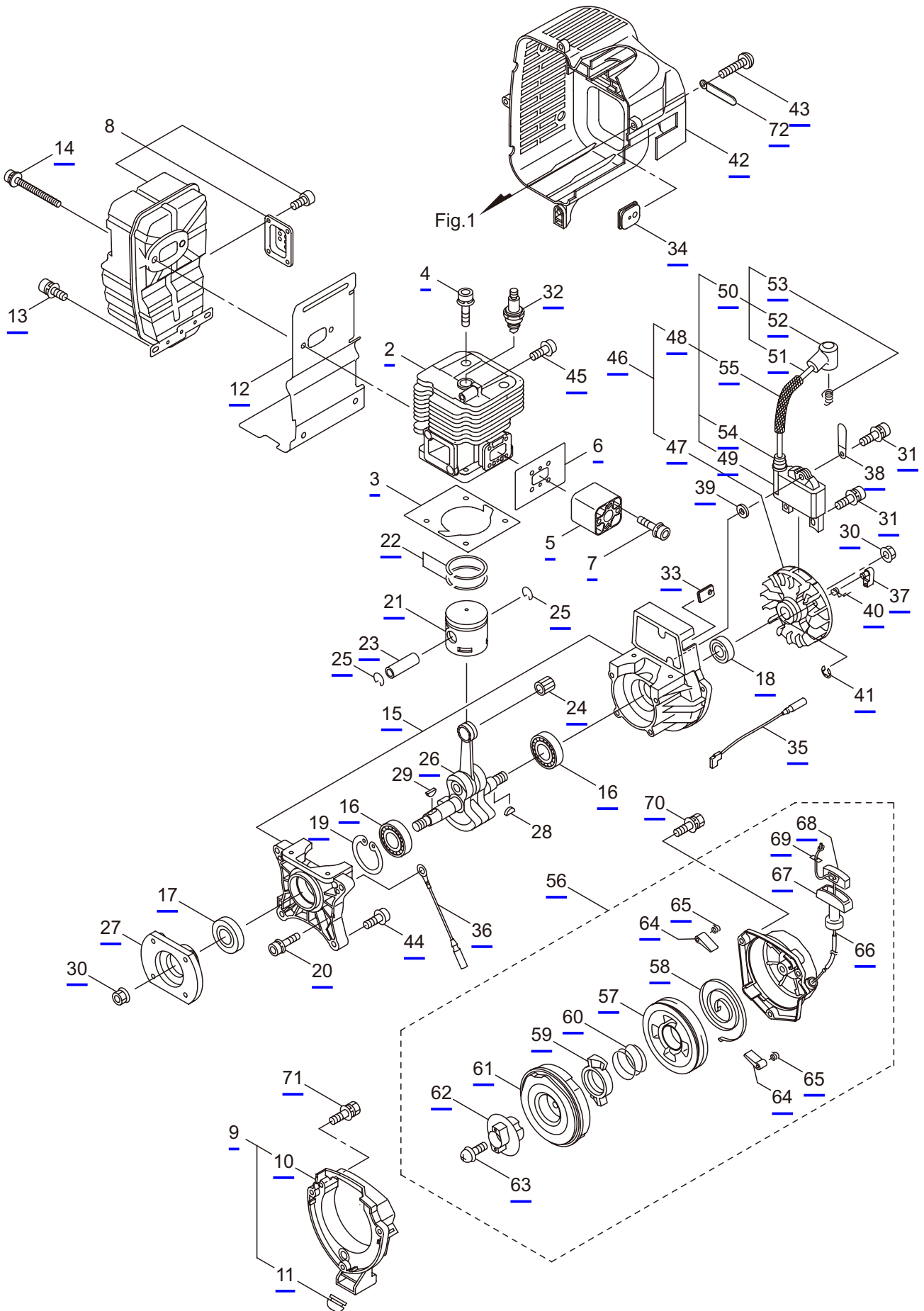
1. FRAME & BLOWER



Ref. No.	Part No.	Part Name	Q'ty	Remarks
1-46	<a href="#">127228</a>	Nut	4	M6
1-47	<a href="#">663159</a>	Knapsack Band Ass'y	1	
1-48	<a href="#">660404</a>	Rod	4	
1-49	<a href="#">100734</a>	Buffer	1	30-M6x14
1-50	<a href="#">127228</a>	Nut	3	M6
1-51	<a href="#">278020</a>	Cushion Pad	1	
1-52	<a href="#">126758</a>	Screw	2	M6x8
1-53	<a href="#">100749</a>	Fastener	2	#7
1-54	<a href="#">125561</a>	Screw	2	M5x14
1-55	<a href="#">663109</a>	Label	1	MM91
1-56	<a href="#">266959</a>	Label	1	Caution
1-57	<a href="#">663115</a>	Label	1	CER800
1-58	<a href="#">664024</a>	Label	1	79dB
1-59	<a href="#">285188</a>	Label	1	

MM91-V

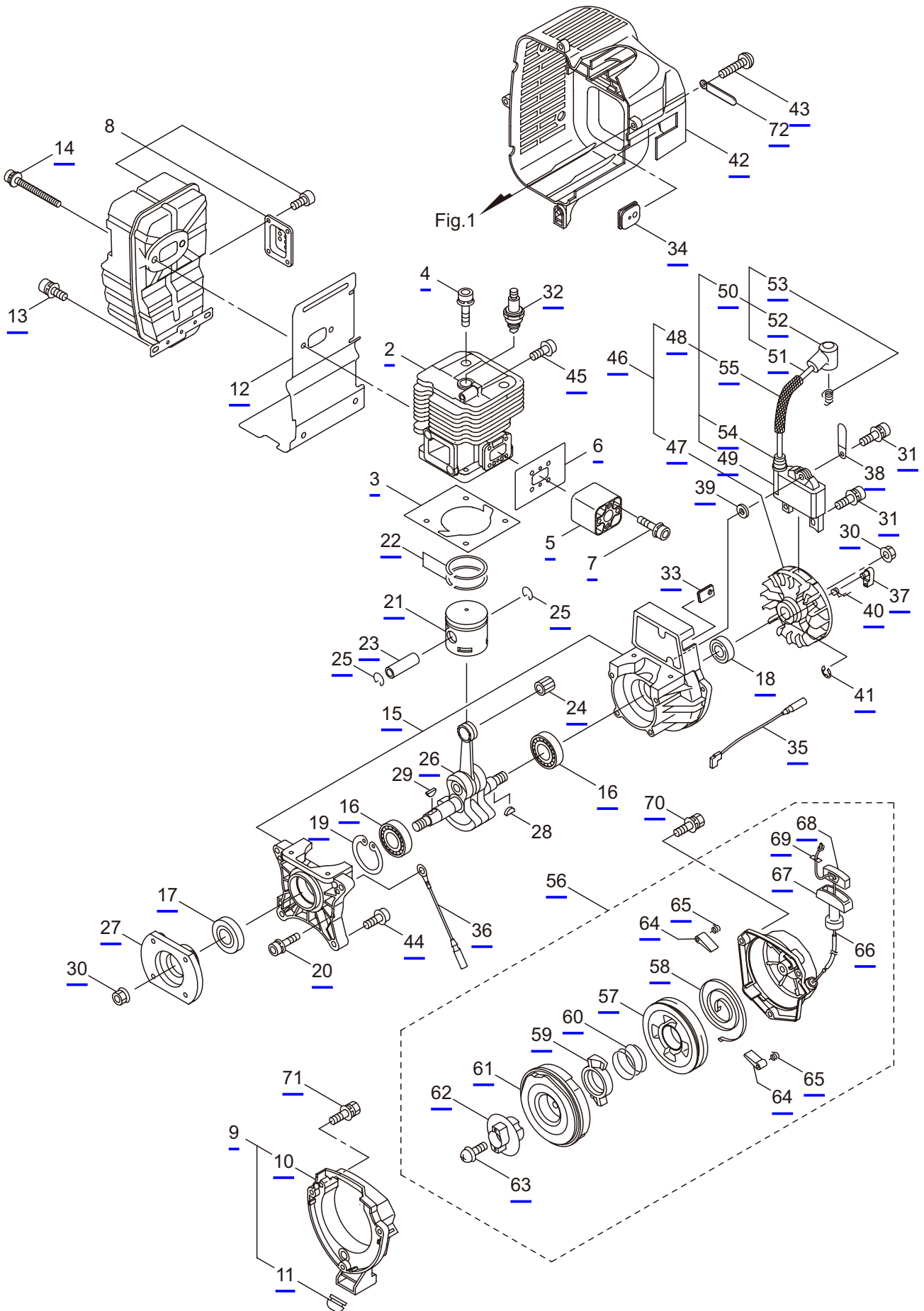
2. ENGINE (Cylinder, Crankcase)



Ref. No.	Part No.	Part Name	Q'ty	Remarks
2-1	248584	Engine	1	CE800D/05
2-2	<a href="#">275765</a>	Cylinder Comp	1	
2-3	<a href="#">275760</a>	Gasket	1	
2-4	<a href="#">261246</a>	Cap Screw	4	M5x25
2-5	<a href="#">276109</a>	Insulator	1	
2-6	<a href="#">276110</a>	Gasket	1	
2-7	<a href="#">277832</a>	Cap Screw	4	M5x30
2-8	248586	Muffler Ass'y	1	
2-9	<a href="#">279413</a>	Adapter Ass'y	1	Incl.10,11
2-10	<a href="#">279026</a>	Adapter	1	
2-11	<a href="#">288192</a>	Grommet	1	
2-12	<a href="#">276111</a>	Gasket	1	
2-13	<a href="#">261607</a>	Cap Screw	2	M5x16
2-14	<a href="#">276154</a>	Cap Screw	2	M6x70
2-15	<a href="#">276112</a>	Crankcase	1	
2-16	<a href="#">276117</a>	Bearing	2	
2-17	<a href="#">276118</a>	Oil Seal	1	
2-18	<a href="#">262565</a>	Oil Seal	1	ISCD15257
2-19	<a href="#">276119</a>	Snap Ring	1	
2-20	<a href="#">234636</a>	Cap Screw	4	M5x35
2-21	<a href="#">277475</a>	Piston	1	
2-22	<a href="#">275757</a>	Piston Ring	2	
2-23	<a href="#">278019</a>	Piston Pin	1	
2-24	<a href="#">278471</a>	Bearing, Needle	1	KBK12x15x14.3x5
2-25	<a href="#">276122</a>	Cir Crip	2	
2-26	<a href="#">276123</a>	Shaft Comp	1	
2-27	<a href="#">663401</a>	Adapter	1	
2-28	<a href="#">261076</a>	Woodruff Key	1	3x10
2-29	<a href="#">261076</a>	Woodruff Key	1	3x10
2-30	<a href="#">276302</a>	Nut	2	
2-31	<a href="#">281211</a>	Cap Screw	2	M4x20
2-32	<a href="#">285982</a>	Spark Plug	1	NGK <a href="#">BPM8Y</a>
2-33	<a href="#">279721</a>	Grommet	1	
2-34	<a href="#">285807</a>	Grommet	1	
2-35	<a href="#">279575</a>	Lead	1	
2-36	<a href="#">279576</a>	Lead	1	
2-37	<a href="#">279069</a>	Ratchet	2	
2-38	<a href="#">279636</a>	Clamp	1	
2-39	<a href="#">289481</a>	Spacer	2	
2-40	<a href="#">262637</a>	Return Spring	2	
2-41	<a href="#">262638</a>	E-Ring	2	
2-42	<a href="#">661406</a>	Top Cover	1	
2-43	<a href="#">131523</a>	Tapping Screw	4	M5x20
2-44	<a href="#">275877</a>	Cap Screw	4	M6X25
2-45	<a href="#">264223</a>	Cap Screw	1	M5x40

MM91-V

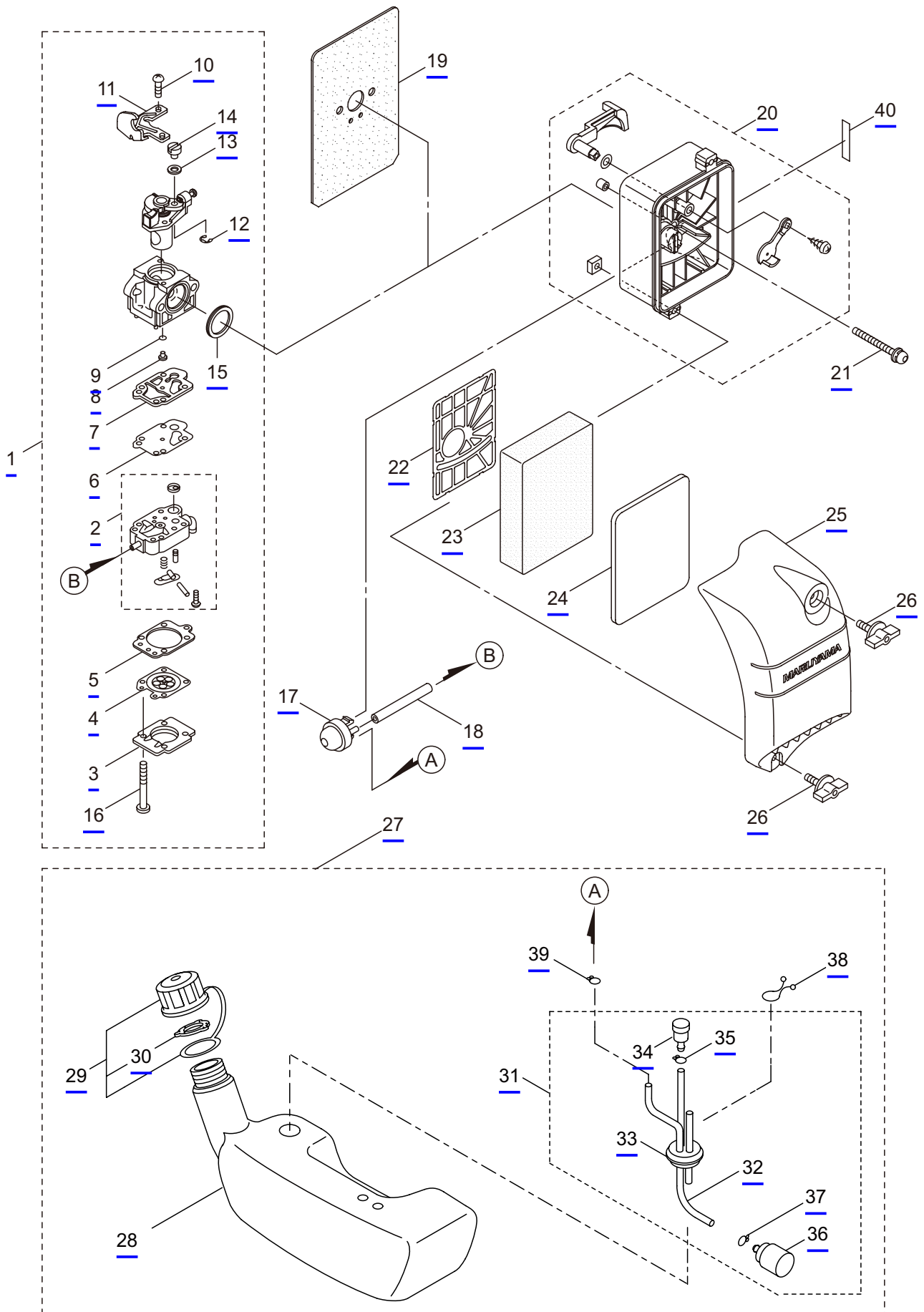
2. ENGINE (Cylinder, Crankcase)



Ref. No.	Part No.	Part Name	Q'ty	Remarks
2-46	246208	Magneto Ass'y	1	Incl.47-55
2-47	<a href="#">246209</a>	Rotor/Fan	1	
2-48	<a href="#">279505</a>	Ignition Coil Ass'y	1	Incl.49-55
2-49	<a href="#">246060</a>	Coil	1	
2-50	<a href="#">246051</a>	Spark Plug Wire Ass'y	1	Incl.51-53
2-51	246052	Spark Plug Wire	1	
2-52	<a href="#">283178</a>	Plug Boot	1	
2-53	<a href="#">272805</a>	Connector	1	
2-54	<a href="#">283271</a>	Cap	1	
2-55	<a href="#">246053</a>	Tube	1	
2-56	<a href="#">279023</a>	Recoil Starter Ass'y	1	Incl.57-69
2-57	<a href="#">280994</a>	Pulley	1	
2-58	<a href="#">280995</a>	Spiral Spring	1	
2-59	<a href="#">280996</a>	Pawl	1	
2-60	<a href="#">280997</a>	Return Spring	1	
2-61	<a href="#">279366</a>	Spring Comp	1	
2-62	<a href="#">280999</a>	Plate	1	
2-63	<a href="#">281000</a>	Set Screw	1	
2-64	<a href="#">281001</a>	Pawl	2	
2-65	<a href="#">281002</a>	Return Spring	2	
2-66	<a href="#">279862</a>	Starter Rope	1	
2-67	<a href="#">262633</a>	Starter Grip	1	
2-68	<a href="#">262981</a>	Cap	1	
2-69	<a href="#">281005</a>	Rope Stopper	1	
2-70	<a href="#">284985</a>	Screw	3	M5x25
2-71	<a href="#">248474</a>	Screw	3	M5x18
2-72	<a href="#">279636</a>	Clamp	1	

MM91-V

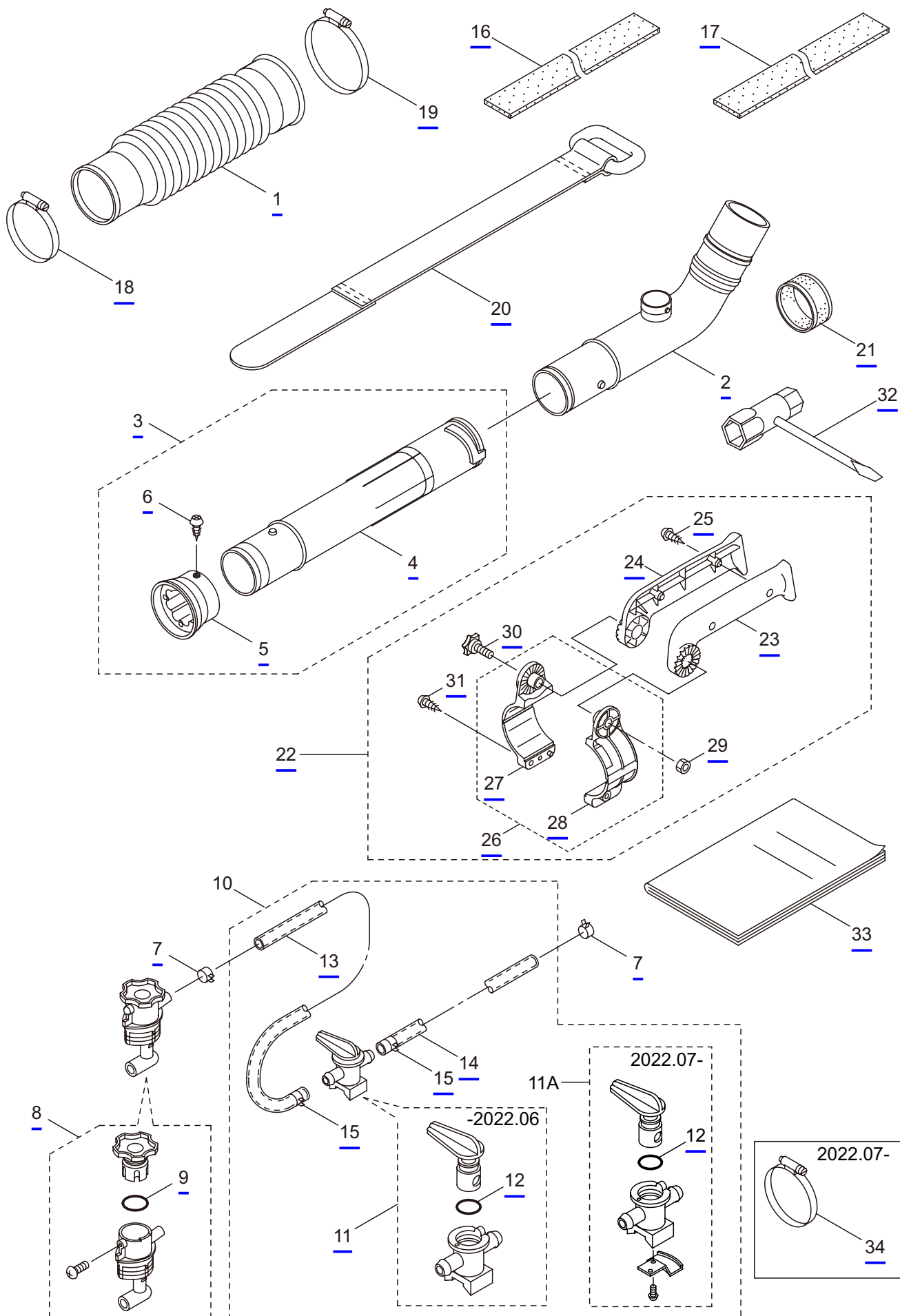
3. ENGINE (Carburetor, Fuel Tank)



Ref. No.	Part No.	Part Name	Q'ty	Remarks
3-1	<a href="#">247975</a>	Carburetor Ass'y	1	Incl.2-16
3-2	<a href="#">283124</a>	Pump Body	1	
3-3	<a href="#">263726</a>	Cover Plate	1	
3-4	<a href="#">283905</a>	Diaphragm, Meterring	1	
3-5	<a href="#">263727</a>	Gasket	1	
3-6	<a href="#">262994</a>	Diaphragm,Fuel Pump	1	
3-7	<a href="#">282576</a>	Gasket	1	
3-8	<a href="#">279748</a>	Main Jet	1	
3-9	<a href="#">261871</a>	O-Ring	1	
3-10	<a href="#">261875</a>	Screw	2	
3-11	<a href="#">248327</a>	Bracket	1	
3-12	<a href="#">261876</a>	E-Ring	1	
3-13	<a href="#">264678</a>	Washer	1	
3-14	<a href="#">261658</a>	Swivel	1	
3-15	<a href="#">261657</a>	Packing	1	
3-16	<a href="#">263737</a>	Screw	4	
3-17	<a href="#">282299</a>	Pump	1	
3-18	<a href="#">279029</a>	Pipe	1	
3-19	<a href="#">276134</a>	Gasket	1	
3-20	<a href="#">279030</a>	Case Ass'y	1	
3-21	<a href="#">274106</a>	Cap Screw	2	M5x55
3-22	<a href="#">279088</a>	Plate	1	
3-23	<a href="#">279089</a>	Element	1	
3-24	<a href="#">279711</a>	Element F	1	
3-25	<a href="#">279034</a>	Cleaner Cover	1	
3-26	<a href="#">279350</a>	Knob	2	Incl.28-39
3-27	<a href="#">664021</a>	Fuel Tank Ass'y	1	
3-28	<a href="#">131493</a>	Fuel Tank	1	
3-29	<a href="#">289046</a>	Tank Cap Ass'y	1	
3-30	<a href="#">287058</a>	Gasket	1	
3-31	<a href="#">664022</a>	Fuel Tube Ass'y	1	Incl.32-37
3-32	<a href="#">131291</a>	Pipe	1	
3-33	<a href="#">268065</a>	Grommet	1	
3-34	<a href="#">261590</a>	Breather	1	
3-35	<a href="#">261117</a>	Clip	1	
3-36	<a href="#">247107</a>	Filter Ass'y	1	
3-37	<a href="#">261117</a>	Clip	1	
3-38	<a href="#">131328</a>	Clamp	1	
3-39	<a href="#">261117</a>	Clip	1	
3-40	<a href="#">277762</a>	Label	1	

MM91-V

4. ACCESSORIES



Ref. No.	Part No.	Part Name	Q'ty	Remarks
4-1	<a href="#">107521</a>	Flexible Pipe	1	
4-2	<a href="#">663126</a>	Flexible Bent Pipe	1	
4-3	<a href="#">663813</a>	Straight Pipe Ass'y	1	Incl.4-6
4-4	<a href="#">122400</a>	Straight Pipe	1	510L
4-5	<a href="#">663363</a>	Mist Nozzle Ass'y	1	
4-6	<a href="#">089833</a>	Screw	2	M5x16
4-7	<a href="#">043972</a>	Hose Band	2	
4-8	<a href="#">663130</a>	Nozzle Ass'y	1	Incl.9
4-9	<a href="#">011691</a>	O-Ring	1	P22A
4-11	<a href="#">663865</a>	Mist Cock Ass'y	1	Incl.12 -2022.06
4-11A	<a href="#">101872</a>	Mist Cock Ass'y	1	Incl.12 2022.07-
4-12	<a href="#">019285</a>	O-Ring	1	<a href="#">P11</a>
4-13	<a href="#">663866</a>	Vinyl <a href="#">Hose</a>	1	9x12x80
4-14	<a href="#">663867</a>	Vinyl <a href="#">Hose</a>	1	9x12x600
4-15	<a href="#">043972</a>	Hose Band	2	
4-16	<a href="#">664032</a>	Gasket	1	t3
4-17	<a href="#">664034</a>	Gasket	1	t2
4-18	<a href="#">662580</a>	Hose Band	1	
4-19	<a href="#">128148</a>	Band	1	
4-20	<a href="#">127720</a>	Band	1	
4-21	<a href="#">103211</a>	Rubber Joint	1	
4-22	<a href="#">663113</a>	Grip Ass'y	1	Incl.23-31
4-23	<a href="#">275974</a>	Grip (A)	1	
4-24	<a href="#">275976</a>	Grip (B)	1	
4-25	<a href="#">235679</a>	Screw	2	
4-26	<a href="#">662407</a>	Band Ass'y	1	Incl.27,28
4-27	<a href="#">662408</a>	Band (A)	1	
4-28	<a href="#">662410</a>	Band (B)	1	
4-29	<a href="#">127298</a>	Nut	1	M6
4-30	<a href="#">276459</a>	Knob Bolt	1	M6x40
4-31	<a href="#">130420</a>	Tapping Screw	1	M5x25
4-32	<a href="#">662598</a>	<a href="#">Box</a> Spanner	1	
4-33	<a href="#">664026</a>	Instruction Manual	1	<a href="#">MM91-V</a>
4-34	<a href="#">244123</a>	Hose Band	1	