

PARTS LIST

MS332ECH

CONTENTS

1. MAIN BODY	1 ~ 2
2. POWER SPRAYER (CRANKCASE, SUCTION VALVE) ...	3 ~ 6
3. POWER SPRAYER (PRESSURE REGULATOR VALVE) ...	7 ~ 8
4. ACCESSORIES	9 ~ 10

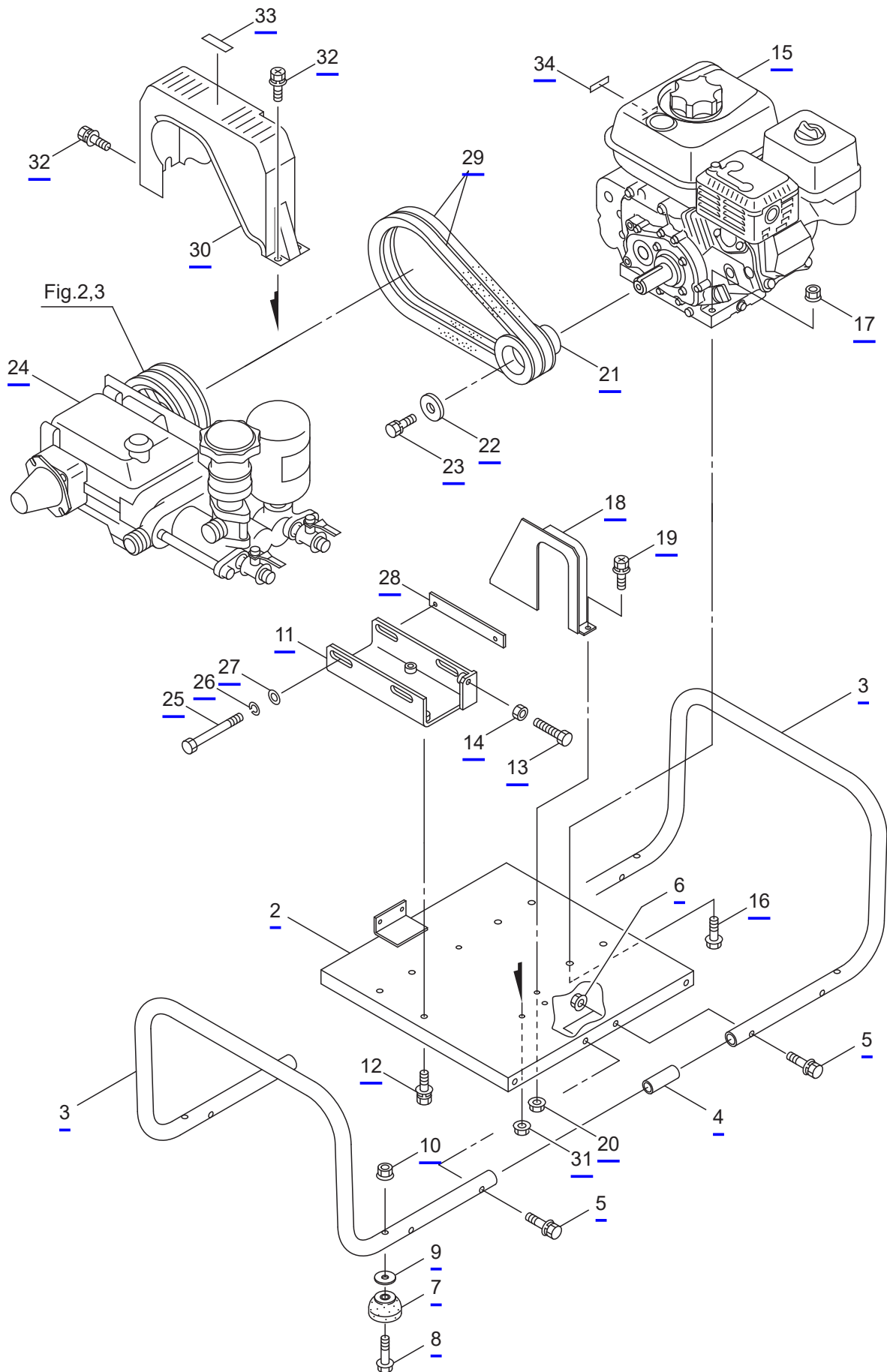
2021.05



MARUYAMA

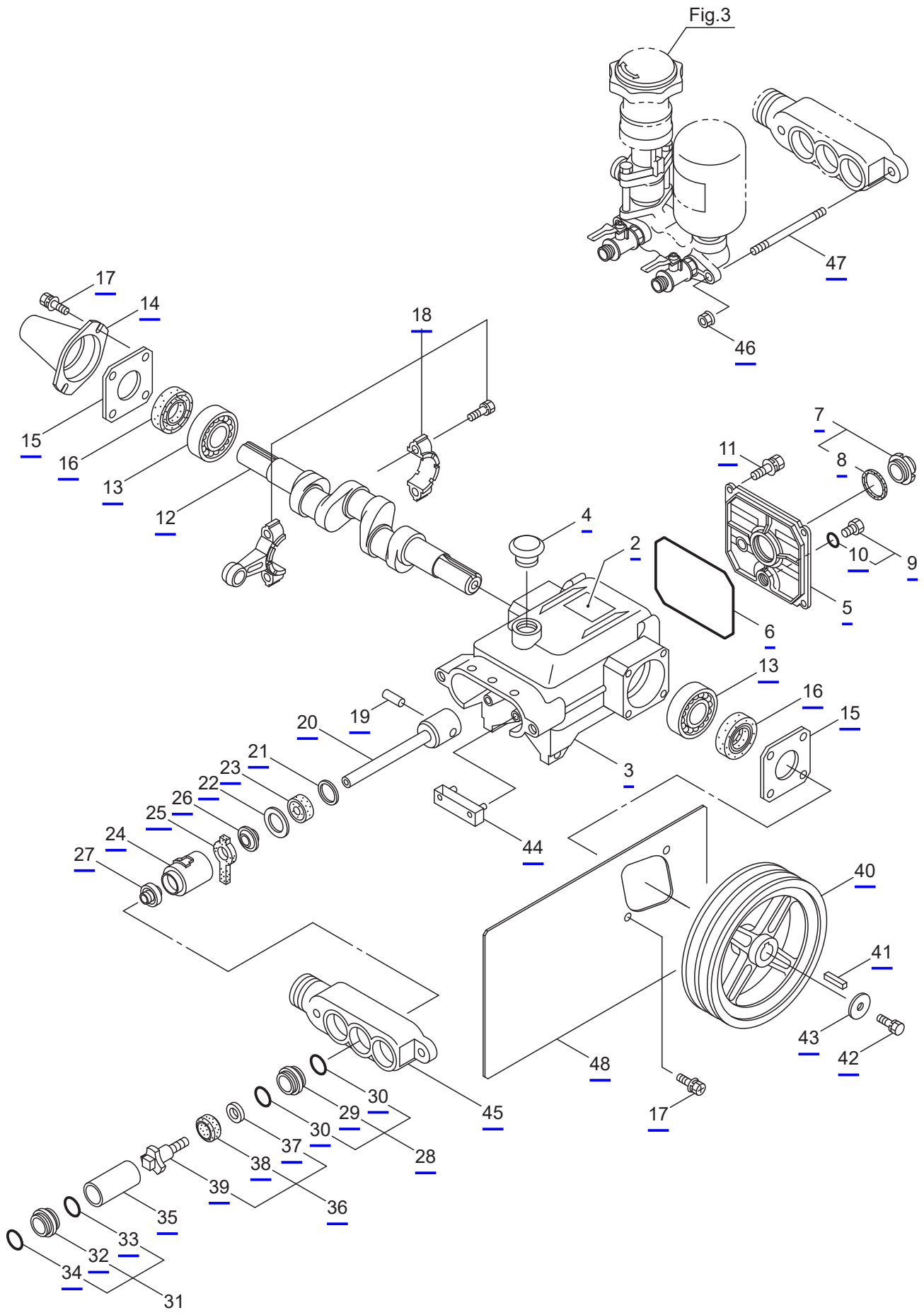
P/N. 525184

1. MS332ECH MAIN BODY



Ref.No.	Parts No.	Parts Name	Q'ty	Remarks
1-1	358585	MS332ECH	1	
1-2	835052	Base	1	
1-3	835054	Handle	2	
1-4	549756	Pipe	2	
1-5	092517	Bolt	8	M8X40
1-6	126201	Nut	8	M8
1-7	543921	Buffer	4	
1-8	092581	Bolt	4	M8X50
1-9	019059	Washer	4	8.5X25XT2.6
1-10	126201	Nut	4	M8
1-11	545640	Rail	1	
1-12	126763	Bolt	3	M8X20
1-13	080178	Bolt	1	M8X60
1-14	126521	Nut	1	M8
1-15	835055	Engine	1	GX160UT2 LX2
1-16	549532	Bolt	4	M8X35
1-17	126201	Nut	4	M8
1-18	835074	Stay	1	
1-19	092501	Bolt	2	M6X16
1-20	126756	Nut	2	M6
1-21	540379	V-pulley	1	89XA2
1-22	090116	Washer	1	8.5X34XT3.2
1-23	126258	Bolt	1	M8X20
1-24	818743	MS332	1	
1-25	126200	Bolt	2	M8X115X30
1-26	126232	Spring Washer	2	M8
1-27	127216	Washer	2	M8
1-28	549784	Plate Nut	1	M8
1-29	106384	V-Belt	2	
1-30	111218	Belt Cover	1	
1-31	126756	Nut	2	M6
1-32	092501	Bolt	4	M6X16
1-33	542232	Label	1	MARUYAMA
1-34	660222	Label	1	

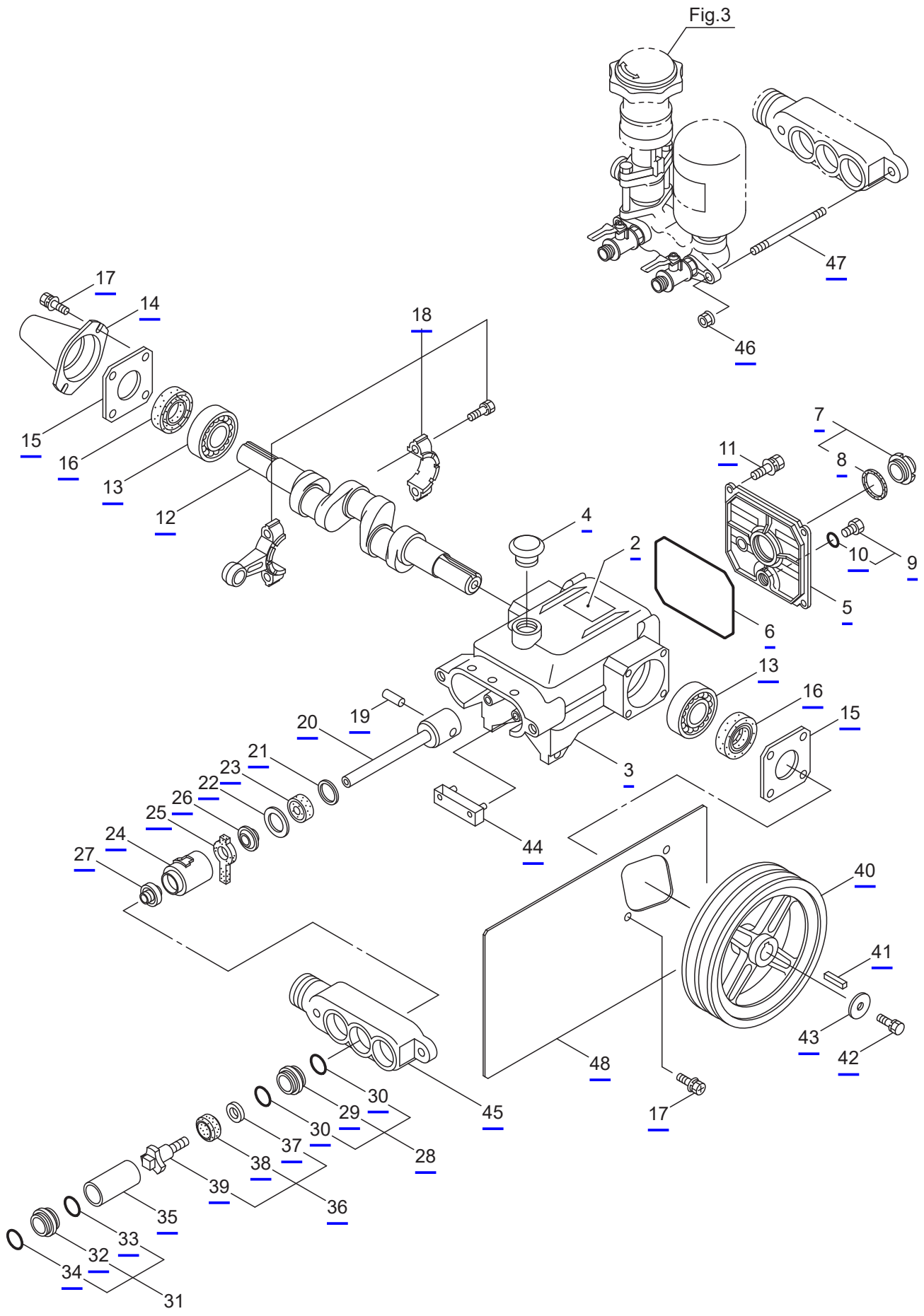
2. MS332ECH POWER SPRAYER (CRANKCASE, SUCTION VALVE)



525184-02

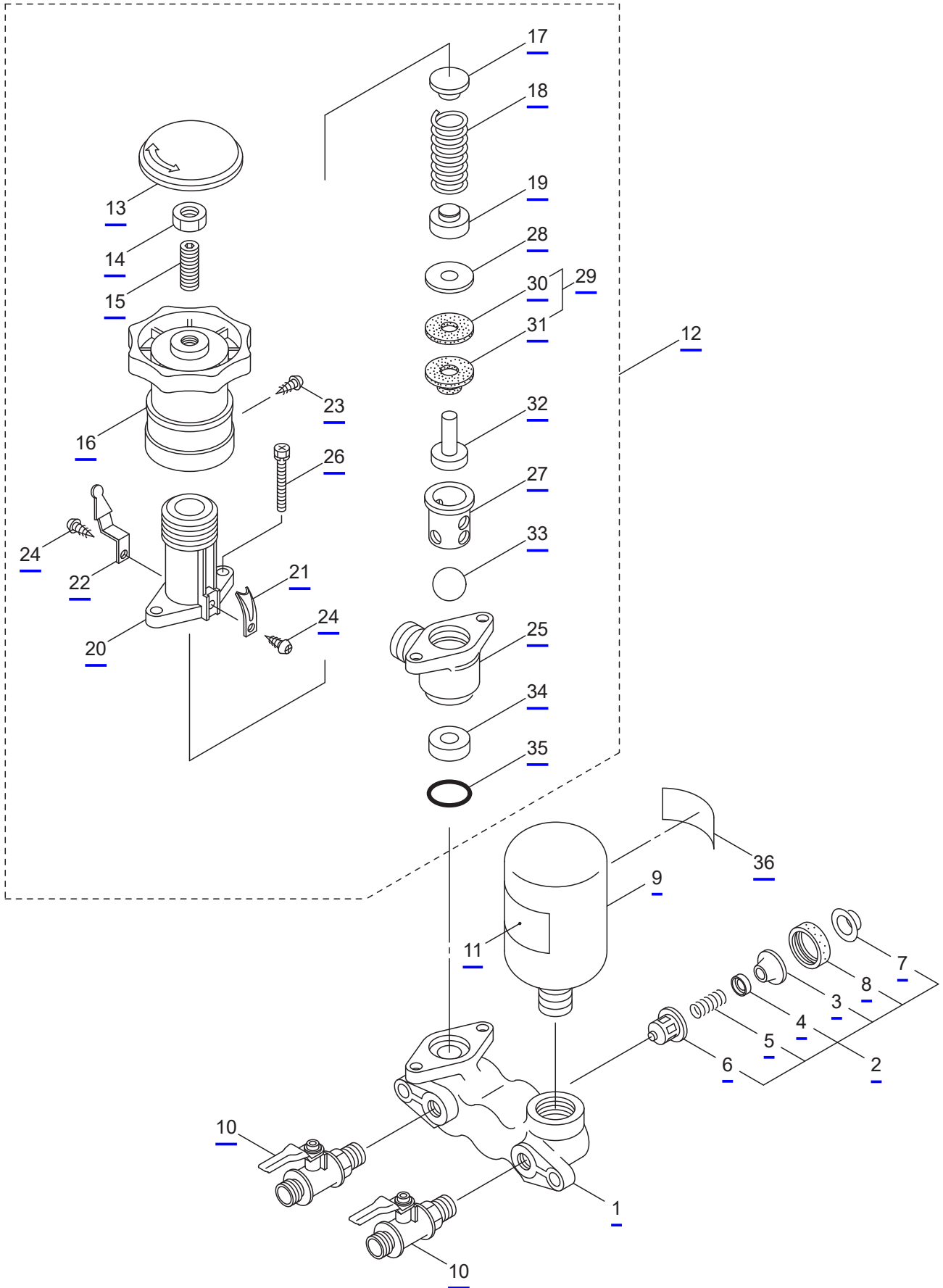
Ref.No.	Parts No.	Parts Name	Q'ty	Remarks
2-1	818743	MS332	1	
2-2	133409	Label	1	MS332
2-3	118176	Crankcase Ass'y	1	
2-4	117420	Oil Filler Cap	1	
2-5	830216	Rear Cover,Crankcase	1	
2-6	014041	O-Ring	1	S100
2-7	092241	Oil Gauge Ass'y	1	Incl.8
2-8	044428	Packing	1	25X34XT2
2-9	091376	Plug Ass'y	1	Incl.10 G1/4
2-10	023170	O-Ring	1	P12.5
2-11	125824	Bolt	4	M6X16
2-12	103921	Crankshaft	1	
2-13	014487	Bearing	2	#6304
2-14	025130	Shaft Protector	1	
2-15	117424	Plate	2	T1.2
2-16	117423	Oil Seal	2	
2-17	125824	Bolt	4	M6X16
2-18	048734	Connecting Rod Ass'y	3	
2-19	016948	Piston Pin	3	9X22
2-20	131358	Piston Rod	3	
2-21	126259	Washer	3	17X24XT1.2
2-22	126189	Washer	3	20X28XT1.2
2-23	025461	Oil Seal	3	S10.5247
2-24	027710	Seal Retainer	3	
2-25	130515	Felt Packing	3	10.5X24X5
2-26	026853	Packing	3	
2-27	100015	Seal	3	
2-28	091109	Adapter Ass'y	3	Incl.29,30
2-29	016957	Adapter	3	
2-30	015862	O-Ring	6	P21
2-31	091108	Adapter Ass'y	3	Incl.32-34
2-32	022931	Adapter	3	
2-33	015862	O-Ring	3	P21
2-34	023172	O-Ring	3	P22
2-35	108065	Cylinder Pipe	3	25X28.5X55
2-36	620661	Inlet Valve Ass'y	3	Incl.37-39
2-37	124277	Inlet Valve	3	6.1X20XT2.8
2-38	116121	Piston Packing	3	25
2-39	118628	Piston Retainer	3	
2-40	100837	V-Pulley	1	152-AX2
2-41	014543	Key	1	5X5X25
2-42	126258	Bolt	1	M8X20
2-43	126198	Washer	1	8.5X30XT3.2
2-44	027712	Oil Pan	1	
2-45	027713	Inlet Manifold	1	MS253

2. MS332ECH POWER SPRAYER (CRANKCASE, SUCTION VALVE)



525184-02

3. MS332ECH POWER SPRAYER (PRESSURE REGULATOR VALVE)



Ref.No.	Parts No.	Parts Name	Q'ty	Remarks
3-1	118409	Discharge Manifold	1	
3-2	120276	Discharge Valve Ass'y	3	Incl.3-8
3-3	120277	Discharge Valve Seat	3	
3-4	043723	Discharge Valve	3	16X1.5
3-5	043360	Spring	3	0.7-15L
3-6	120278	Retainer	3	
3-7	105513	Packing Ring	3	
3-8	105514	Valve Case	3	
3-9	117813	Air Chamber	1	
3-10	117609	Cock Ass'y	2	G1/4XR1/4
3-11	123041	Label	1	
3-12	131311	Pressure Regulator Valve Ass'y	1	Incl.13-35 MS155
3-13	130910	Cap	1	
3-14	126195	Nut	1	M10
3-15	088975	Set Screw	1	M10X49
3-16	130911	Knob	1	
3-17	126196	Valve Seat	1	17X2.3
3-18	105520	Spring	1	3.2-35L
3-19	105521	Retainer	1	
3-20	117448	Spring Case	1	
3-21	117440	Seat Spring	1	
3-22	105524	Pressure Gauge	1	
3-23	089882	Screw	2	M4X14L
3-24	127284	Tapping Screw	2	M4X6
3-25	118237	Body	1	
3-26	126197	Bolt	2	M6X55
3-27	012256	Retainer	1	
3-28	012255	Washer	1	6.2X22XT0.6
3-29	595606	Bellows Packing Set	1	Incl.30,31
3-30	016972	Bellows Packing	1	5X22X1.5
3-31	011451	Bellows	1	
3-32	016975	Valve Rod	1	
3-33	107238	Valve Ball	1	12.7
3-34	126246	Valve Seat	1	
3-35	014179	O-Ring	1	P20
3-36	123043	Label	1	

4. MS332ECH ACCESSORIES

