

PARTS LIST

MS40LI

CONTENTS

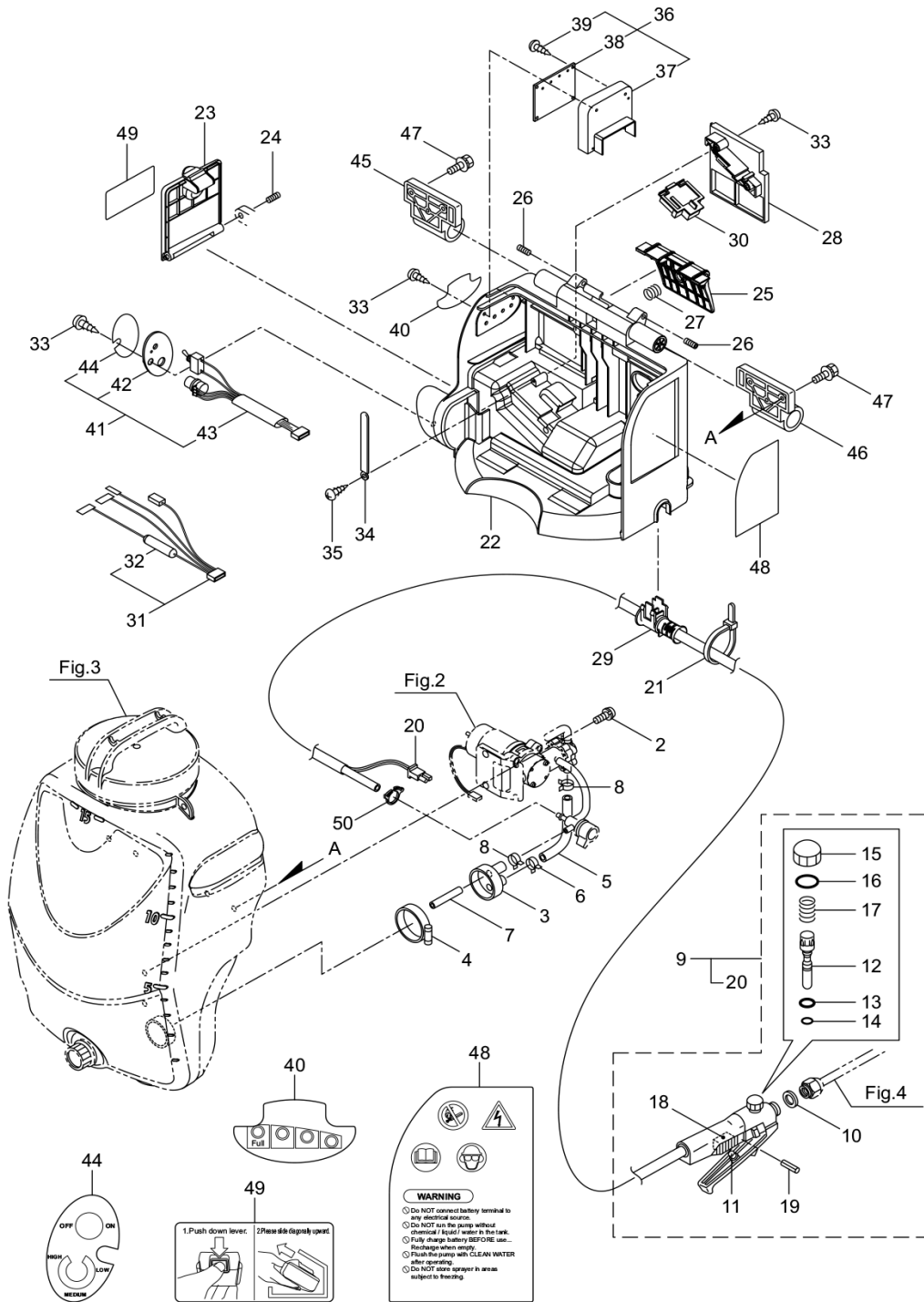
1. MAIN BODY.....	1 ~ 4
2. PUMP.....	5 ~ 6
3. CHEMICAL TANK.....	7 ~ 8
4. ACCESSORIES.....	9 ~ 10

2016.03.



P/N 524276

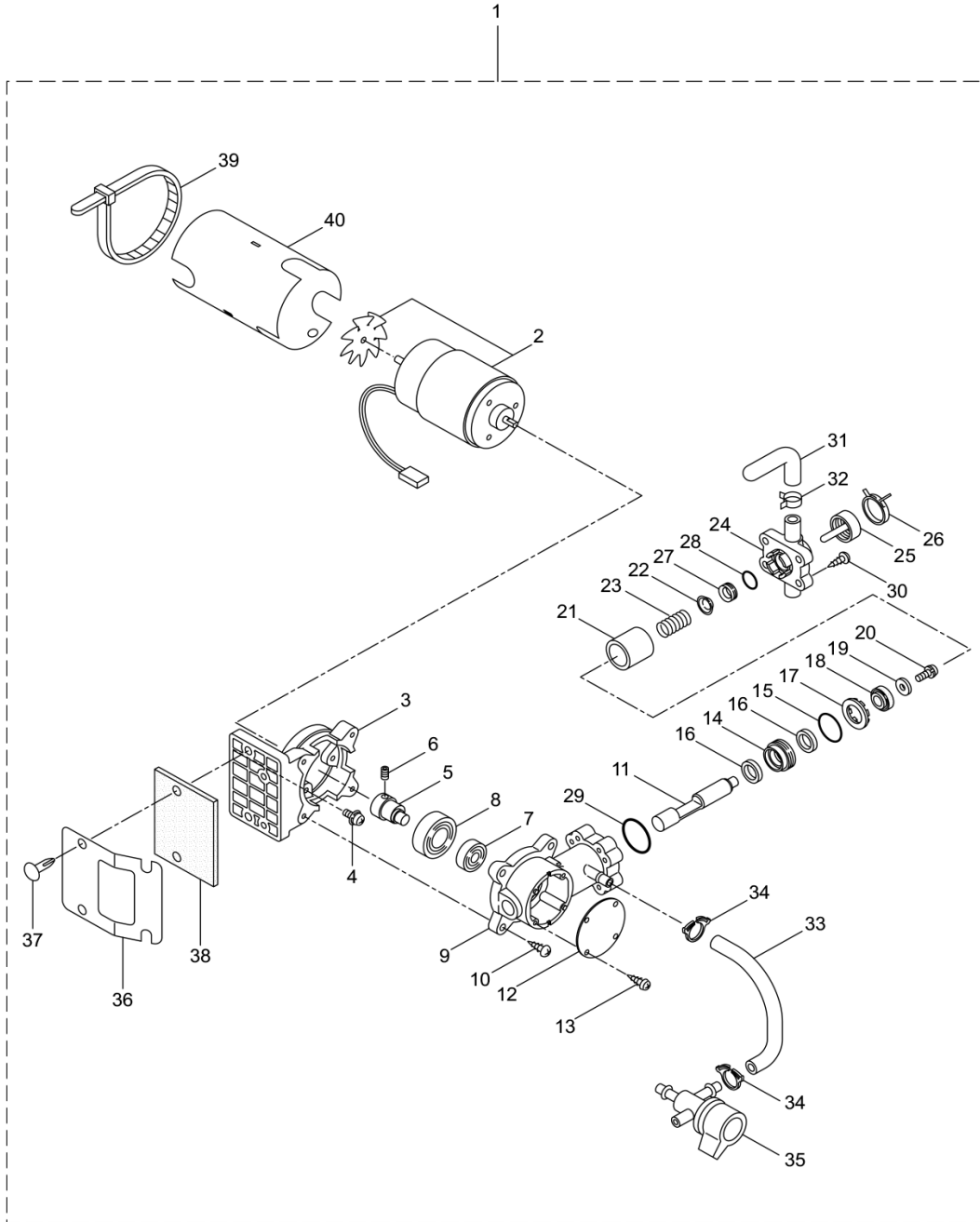
1. MS40LI
MAIN BODY



Status	Position	Parts Number	Parts Name	Unit Quantity	Set Unit Quantity	Specification	Remarks	Maker code
--------	----------	--------------	------------	---------------	-------------------	---------------	---------	------------

Status	Position	Parts Number	Parts Name	Unit Quantity	Set Unit Quantity	Specification	Remarks	Maker code
	1	353080	MS40LI(MUS)	1			0	
	2	126760	SCREW	2	10	M6X10	M6x10	
	3	125903	HOSE BOOTS	1		ナチュラル	0	
	4	124813	BAND	1		GEMI 25-40	0	
	5	125902	HOSE	1		8X12	0	
	6	531145	HOSE BAND	1	5	130-06-00 サワク	130-06-00	
	7	131435	HOSE	1		5X9X50 トウメイ	5x9x50	
	8	043832	HOSE BAND #17	2	5	115-05-00	0	
	9	423244	GRIP ASSY	1			Incl.10-20	
	10	115865	PACKING	1	5	12X17.5XT3.5	12x17.5xt3	
	11	131527	PAD	1			0	
	12	117547	VALVE	1		ナチュラル	0	
	13	124612	O-RING	1		4.8X2.4(HS90)	0	
	14	014194	O-RING	1		S4	S4	
	15	117070	CAP	1	5	グレー(N6.5)	0	
	16	011345	O-RING RETAINER	1	5	ヤマホ P-12	P12	
	17	117074	SPRING	1			0	
	18	117549	SWITCH	1		ABV 123060	0	
	19	550166	SPRING PIN	1		2.5X14 B	2.5x14	
	20	131561	CONNECTOR	1		モリツクス3191-02R1	0	
	21	107046	BAND	1	5	CV-125(パナコウ)	CV-125	
	22	131439	BASE	1		アオ(10B5/10)	0	
	23	131446	CASSETTE COVER	1		ムラサキ	0	
	24	131448	SET SCREW	1		M6X20 クボミサキ	M6x20	
	25	132332	STOPPER	1		アオ(10B5/10)T	0	
	26	131449	SET SCREW	2		M6X35 クボミサキ	M6x35	
	27	130095	SPRING	1		1.0-29L	0	
	28	131441	BASE LID	1		アオ(10B5/10)	0	
	29	131443	HOSE GUIDE	1		グレー	0	
	30	131444	TERMINAL	1		643852-2	0	
	31	131445	WIRE HARNESS	1			Incl.32	
	32	115385	FUSE	1		10A	0	
	33	128974	SCREW	5	10	ナベ M4X16 ノンサート	M4x16	
	34	264588	CLAMP	1	5		0	
	35	132079	SCREW	1		トラス2シユM4X14Pタイト	M4x14	
	36	131450	SUBSTRATE ASSY	1		1500ヨウ	Incl.37-39	
	37	131451	SUBSTRATE COVER	1		アオ(10B5/10)	0	
	38	131453	SUBSTRATE	1		18Vヨウ	0	
	39	130230	SCREW	2		トラス2シユM3X8Pタイト	M3x8	
	40	133554	LABEL	1		パナトリザンリヨウ(US)	0	
	41	133565	OPERATION PANEL ASSY	1		MS40LI(MUS)	Incl.42-44	
	42	131457	OPERATION PANEL	1		シロ	0	
	43	131459	WIRE HARENESS	1		トグルボリユーム	0	
	44	133555	LABEL	1		アム(US)	0	
	45	130137	BRACKET(R)	1		アオ(10B5/10)	R	
	46	130138	BRACKET(L)	1		アオ(10B5/10)	L	
	47	125824	BOLT	4	5	M6X16(SMK)	M6x16	
	48	133557	LABEL	1		PLラベル(US)	0	
	49	133558	LABEL	1		パナトリリアツカイ(US)	0	
	50	125370	CLAMP	1		SNP-2	0	

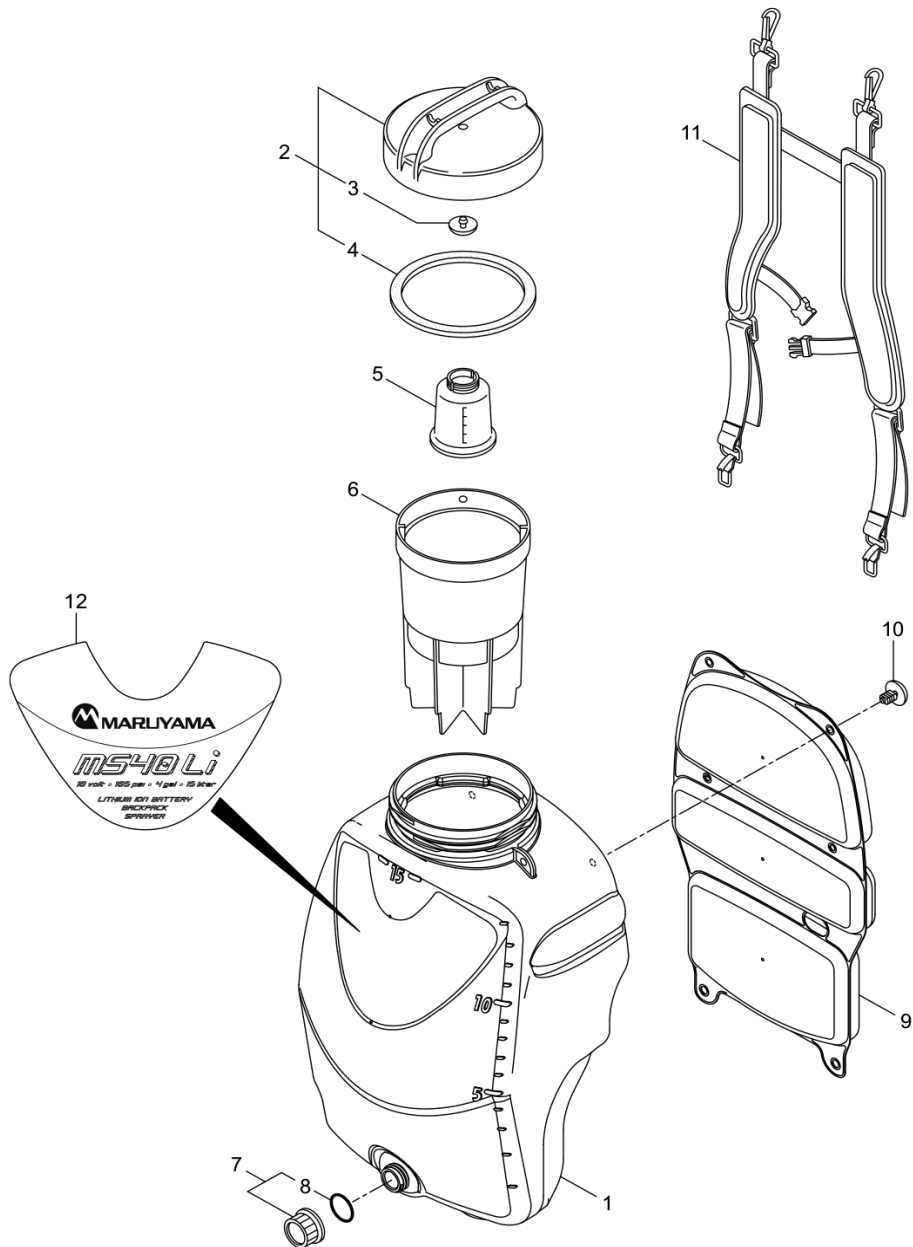
2. MS40LI
PUMP



Status	Position	Parts Number	Parts Name	Unit Quantity	Set Unit Quantity	Specification	Remarks	Maker code
				1				

Status	Position	Parts Number	Parts Name	Unit Quantity	Set Unit Quantity	Specification	Remarks	Maker code
	1	131430	PUMP ASSY	1		131430	Incl.2-40	
	2	423245	MOTOR ASSY	1				
	3	113216	FLANGE	1				
	4	126752	SCREW	3	10	M3X0.5X10(SM)	M3x0.5x10	
	5	123253	CAM	1		ST 2.6		
	6	089969	SCREW	1	5	M4X6 ｸﾞﾎﾞ ﾐﾏｷ	M4x6	
	7	114000	BEARING 607ZZ	1		607ZZ	#607ZZ	
	8	102681	BEARING 6001ZZ	1		#6001ZZ	#6001ZZ	
	9	123254	CRANKCASE	1				
	10	132079	SCREW	4		ﾄﾞﾗｽ2ｼﾞﾓM4X14Pﾀｲﾄ	M4x14	
	11	115233	PISTON ROD	1				
	12	114003	PLATE	1				
	13	126754	TAPPING SCREW	2		ｸﾞﾎﾞ 1ｼﾞﾓ M3X8	M3x8	
	14	126779	SEAL CASE	1				
	15	013969	O-RING PISTON ROD	1	5	S16	S16	
	16	114005	PACKING A	2		ｺﾞﾐ 10		
	17	123256	SEAL PACKING RETAINER	1				
	18	121434	PISTON PACKING	1				
	19	114009	VALVE SEAT	1		4.2X11XT2	4.2x11xt2	
	20	816018	SCREW	1	10	M4X0.7X8	M4x0.7x8	
	21	123258	CYLINDER PIPE	1				
	22	116114	SUCTION VALVE	1				
	23	132147	SPRING	1		0.5-15L ﾗｲﾌﾞ		
	24	116284	MANIFOLD	1				
	25	116128	PIN ASSY	1				
	26	126755	HOSE BAND	1	5			
	27	115121	VALVE SEAT	1				
	28	026531	O-RING	1	5	S8	S8	
	29	014179	O-RING	1	5	P20 1ｼﾞﾓA	P20	
	30	132079	SCREW	4		ﾄﾞﾗｽ2ｼﾞﾓM4X14Pﾀｲﾄ	M4x14	
	31	125877	CAP	1		ｸﾞﾎﾞ		
	32	043832	HOSE BAND #17	1	5	115-05-00		
	33	131432	HOSE	1				
	34	125370	CLAMP	2		SNP-2		
	35	123290	PRESSURE REGULATOR	1		MSB150		
	36	125889	PLATE	1				
	37	123461	FASTENER	2	5			
	38	116304	BUFFER	1	5			
	39	123421	BAND	1		CV-250N(ﾊﾞ ﾆﾞｺｸ)		
	40	126751	PROTECTION PLATE	1				

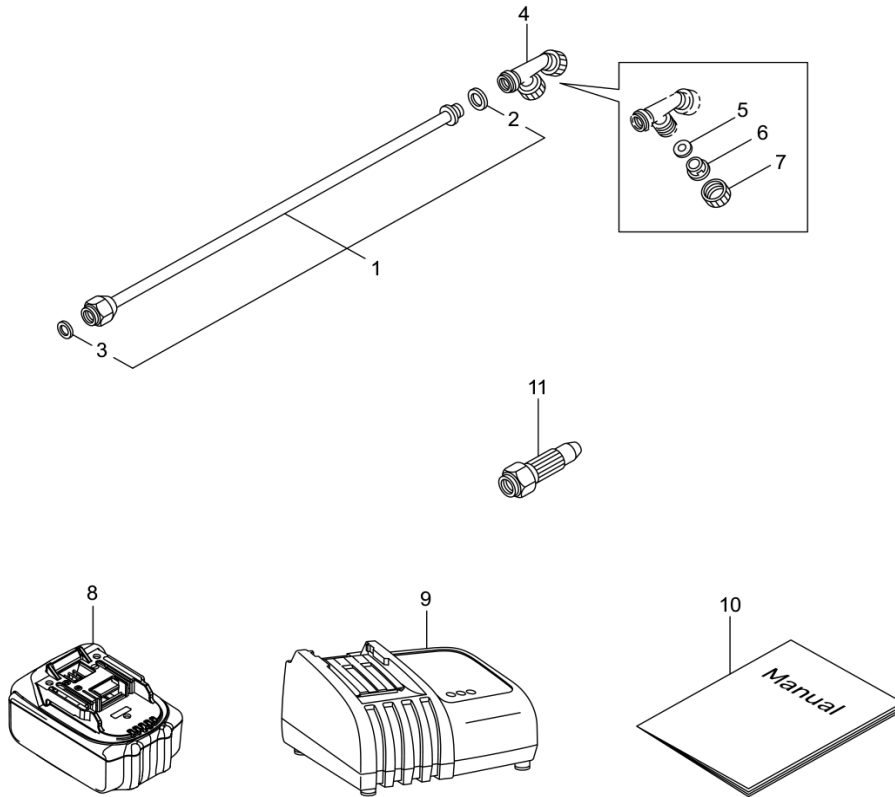
3. MS40LI
CHEMICAL TANK



Status	Position	Parts Number	Parts Name	Unit Quantity	Set Unit Quantity	Specification	Remarks	Maker code
				1				

Status	Position	Parts Number	Parts Name	Unit Quantity	Set Unit Quantity	Specification	Remarks	Maker code
	1	131433	CHEMICAL TANK	1		15L ナチユラル	15L	
	2	125876	CHEMICAL TANK CAP	1		ﾌﾞﾙｰ	Incl.3,4	
	3	126668	RUBBER PLATE	1			0	
	4	123216	PACKING	1			0	
	5	125063	MEASURE CUP	1		ナチユラル	0	
	6	125878	STRAINER	1		ﾚﾓﾝｲﾝﾃｰ	0	
	7	131542	CAP ASSY	1		ﾌﾞﾙｰ(10B5/10)	Incl.8	
	8	014818	<u>O-RING</u>	1	5	W1516-16	W1516-16	
	9	131461	CUSHION PAD	1		ｸﾞﾚｰ	0	
	10	125068	FASTNER	4	5	ｸﾛ	0	
	11	130219	BAND ASSY	1		ｸﾛ	0	
	12	133556	LABEL	1		MS40LJ (MUS)	MS40LJ	

4. MS40LI
ACCESSORIES



Status	Position	Parts Number	Parts Name	Unit Quantity	Set Unit Quantity	Specification	Remarks	Maker code
				1				

Status	Position	Parts Number	Parts Name	Unit Quantity	Set Unit Quantity	Specification	Remarks	Maker code
	1	122933	NOZZLE PIPE ASSY	1		G1/4 8-600 アサハ	Incl.2,3	
	2	112850	PACKING	1	5		11.5x15.5xt1.5	8000142
	3	112851	PACKING	1	10	7X11XT1.5	7x11xt1.5	
	4	117958	WIDE NOZZLE	1		NH-V-2M-2-D5	Incl.5-7	
	5	103171	PACKING H-704	2	5	ヤマホH-704	H-704	501214
	6	412894	NOZZLE PLATE D-5S	2		ヤマホ NN-D-5S	NN-D-5S	491261
	7	103173	CAP	2		ヤマホ H-6013B	0	
	8	133560	BATTERY	1		BL1830 133551	0	
	9	133552	BATTERY CHARGER	1		DC18RC 630714-3	0	
	10	133562	INSTRUCTION MANUAL	1		MS40LI (MUS)	MS40LI	
	11	127460	NOZZLE ASSY	1		アサハ 1.0(CD<75)	0	