

# PARTS LIST

## MS415ECH

### CONTENTS

1. MAIN BODY .....	1 ~ 2
2. POWER SPRAYER (CRANKCASE, SUCTION VALVE) ...	3 ~ 6
3. POWER SPRAYER (PRESSURE REGULATOR VALVE) ...	7 ~ 10
4. ACCESSORIES .....	11 ~ 12

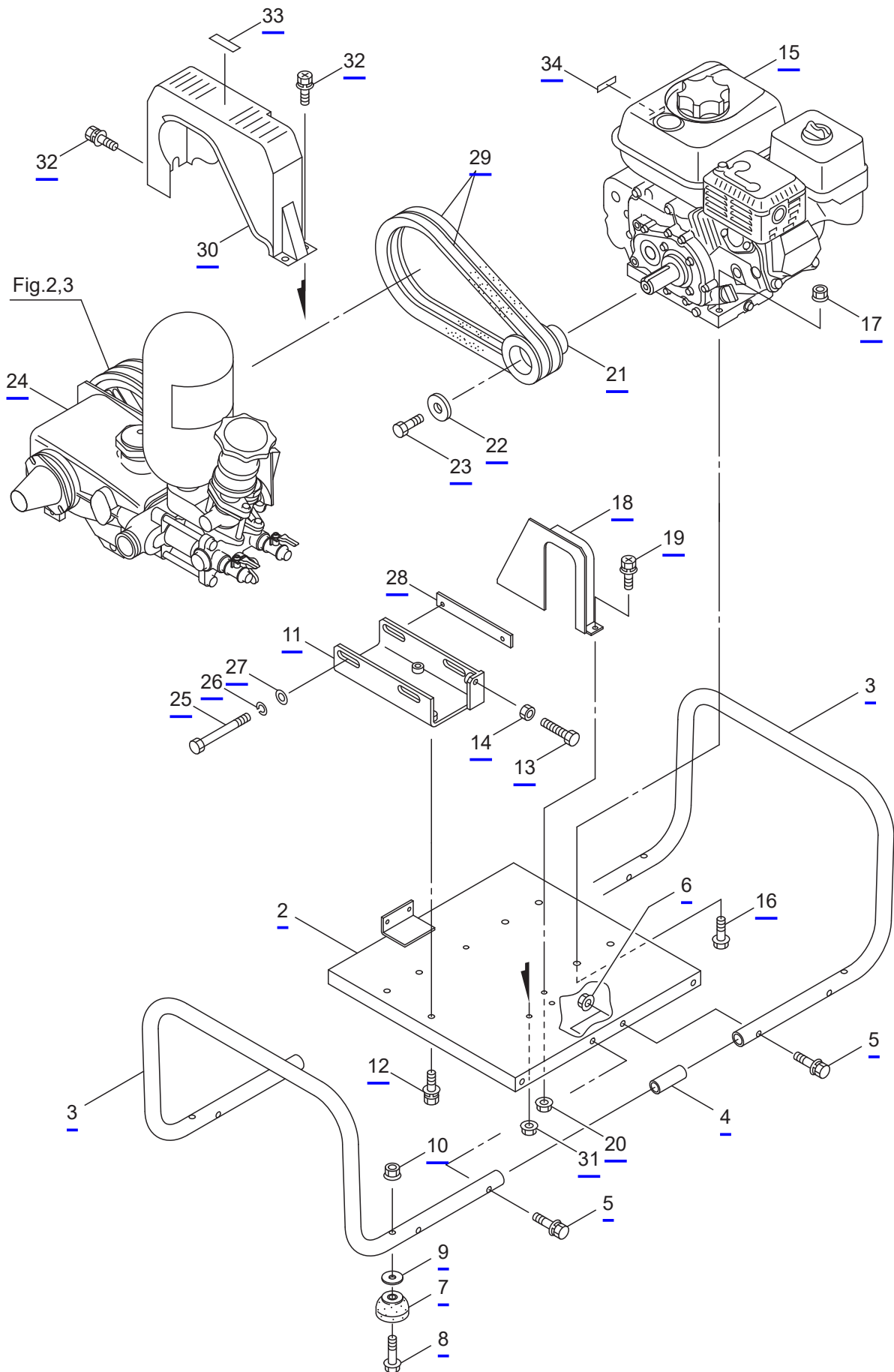
2021.05



**MARUYAMA**

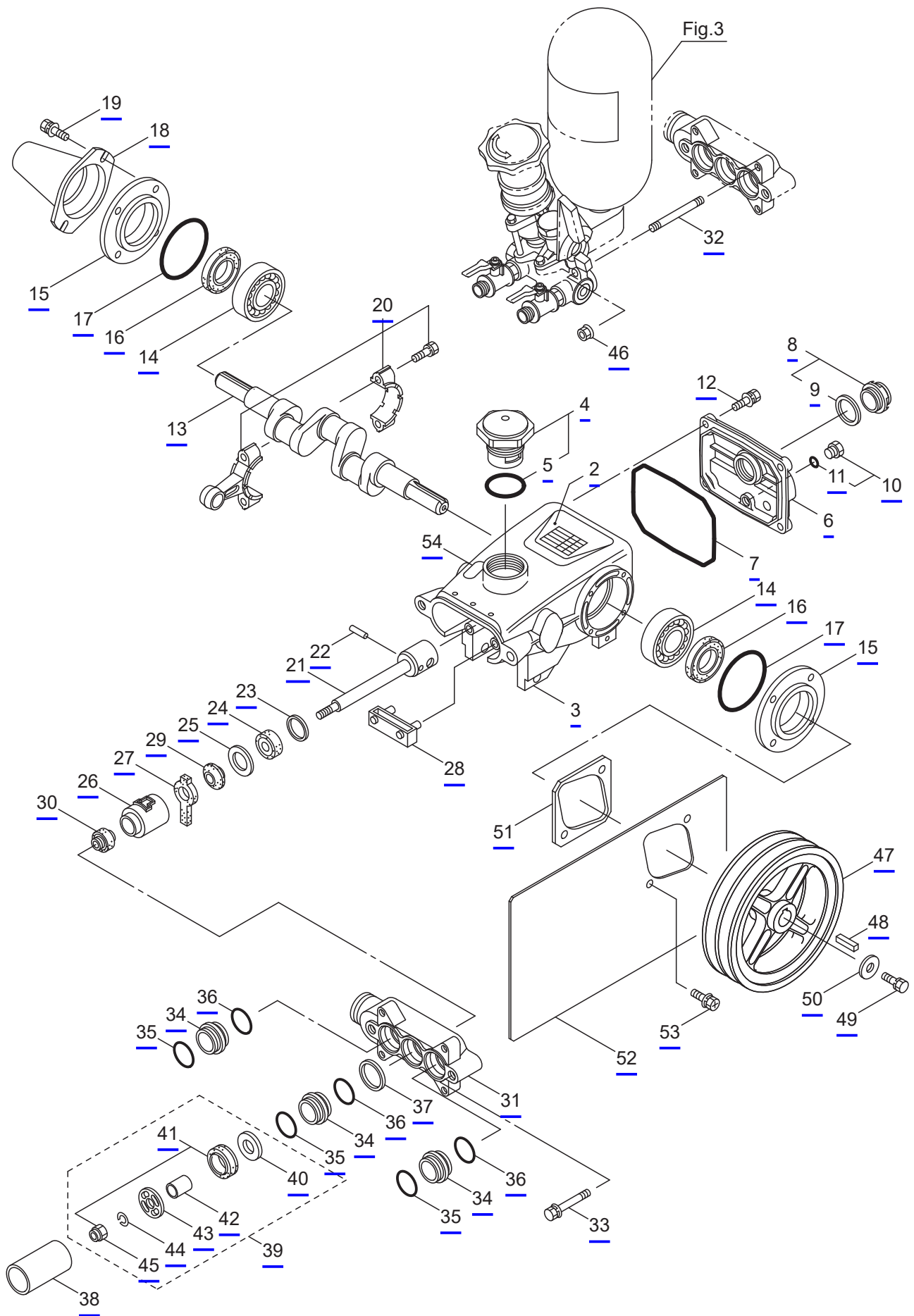
P/N. 525183

# 1. MS415ECH MAIN BODY



Ref.No.	Parts No.	Parts Name	Q'ty	Remarks
1-1	<a href="#">358584</a>	<a href="#">MS415ECH</a>	1	
1-2	<a href="#">835052</a>	Base	1	
1-3	<a href="#">835054</a>	Handle	2	
1-4	<a href="#">549756</a>	Pipe	2	
1-5	<a href="#">092517</a>	Bolt	8	M8X40
1-6	<a href="#">126201</a>	Nut	8	M8
1-7	<a href="#">543921</a>	Buffer	4	
1-8	<a href="#">092581</a>	Bolt	4	M8X50
1-9	<a href="#">019059</a>	Washer	4	8.5X25XT2.6
1-10	<a href="#">126201</a>	Nut	4	M8
1-11	<a href="#">545640</a>	Rail	1	
1-12	<a href="#">126763</a>	Bolt	3	M8X20
1-13	<a href="#">080178</a>	Bolt	1	M8X60
1-14	<a href="#">126521</a>	Nut	1	M8
1-15	<a href="#">835055</a>	Engine	1	GX160UT2 LX2
1-16	<a href="#">549532</a>	Bolt	4	M8X35
1-17	<a href="#">126201</a>	Nut	4	M8
1-18	<a href="#">835074</a>	Stay	1	
1-19	<a href="#">092501</a>	Bolt	2	M6X16
1-20	<a href="#">126756</a>	Nut	2	M6
1-21	<a href="#">540379</a>	V-pulley	1	89XA2
1-22	<a href="#">090116</a>	Washer	1	8.5X34XT3.2
1-23	<a href="#">126258</a>	Bolt	1	M8X20
1-24	<a href="#">818484</a>	<a href="#">MS415(EA)</a>	1	
1-25	<a href="#">126200</a>	Bolt	2	M8X115X30
1-26	<a href="#">126232</a>	Spring Washer	2	M8
1-27	<a href="#">127216</a>	Washer	2	M8
1-28	<a href="#">549784</a>	Plate Nut	1	M8
1-29	<a href="#">106384</a>	V-Belt	2	
1-30	<a href="#">111218</a>	Belt Cover	1	
1-31	<a href="#">126756</a>	Nut	2	M6
1-32	<a href="#">092501</a>	Bolt	4	M6X16
1-33	<a href="#">542232</a>	Label	1	MARUYAMA
1-34	<a href="#">660222</a>	Label	1	

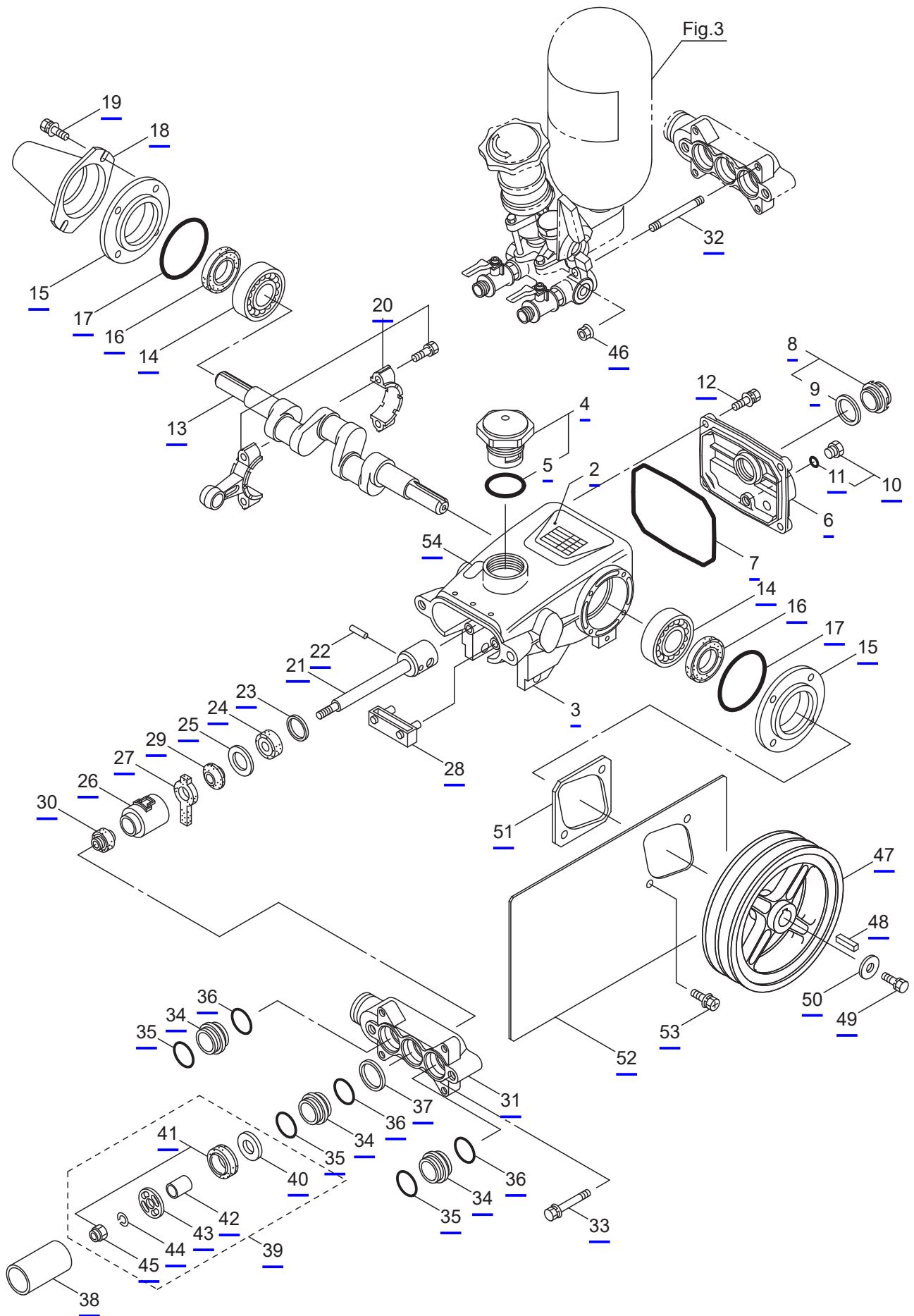
## 2. MS415ECH POWER SPRAYER (CRANKCASE, SUCTION VALVE)



525183-02

Ref.No.	Parts No.	Parts Name	Q'ty	Remarks
2-1	818484	<u>MS415</u> (EA)	1	
2-2	130462	Label	1	<u>MS415</u>
2-3	130440	Crankcase Ass'y	1	
2-4	091264	Oil Filler Cap	1	Incl.5 W35.85
2-5	014177	<u>O-Ring</u>	1	P35
2-6	130444	Rear Cover,Crankcase	1	
2-7	048773	<u>O-Ring</u>	1	119X96X2.0
2-8	092241	Oil Gauge Ass'y	1	Incl.9
2-9	044428	Packing	1	25X34XT2
2-10	091376	Plug Ass'y	1	Incl.11 G1/4
2-11	023170	<u>O-Ring</u>	1	P12.5
2-12	125824	Bolt	4	M6X16
2-13	103921	Crankshaft	1	
2-14	014487	Bearing	2	#6304
2-15	130446	Oil Seal Case	2	
2-16	024159	Oil Seal	2	
2-17	026536	<u>O-Ring</u>	2	51.8X1.5
2-18	025130	Shaft Protector	1	
2-19	125824	Bolt	8	M6X16
2-20	048734	Connecting Rod Ass'y	3	
2-21	120827	Piston Rod Ass'y	3	
2-22	016948	Piston Pin	3	9X22
2-23	126259	Washer	3	17X24XT1.2
2-24	025461	Oil Seal	3	S10.5247
2-25	126189	Washer	3	20X28XT1.2
2-26	027710	Seal Retainer	3	
2-27	130515	Felt Packing	3	10.5X24X5
2-28	027712	Oil Pan	1	
2-29	026853	Packing	3	
2-30	100015	Seal	3	
2-31	105507	Inlet Manifold	1	
2-32	130492	Stud Bolt	4	M8X110X11X18
2-33	128352	Bolt	2	M8X45
2-34	130534	Adapter	3	
2-35	015862	<u>O-Ring</u>	3	<u>P21</u>
2-36	023172	<u>O-Ring</u>	3	P22
2-37	105508	Adapter Packing	1	26X28.5XT0.5
2-38	108065	Cylinder Pipe	3	25X28.5X55
2-39	632583	Inlet Valve Ass'y	3	Incl.40-45
2-40	014122	Inlet Valva Seat	3	6.1X20XT2.8
2-41	632586	Piston Packing Set	3	Incl.45
2-42	027499	Spacer	3	6X8.5X11
2-43	119917	Piston Retainer	3	
2-44	015849	Spring Washer	3	M6
2-45	046365	Nut	3	M6

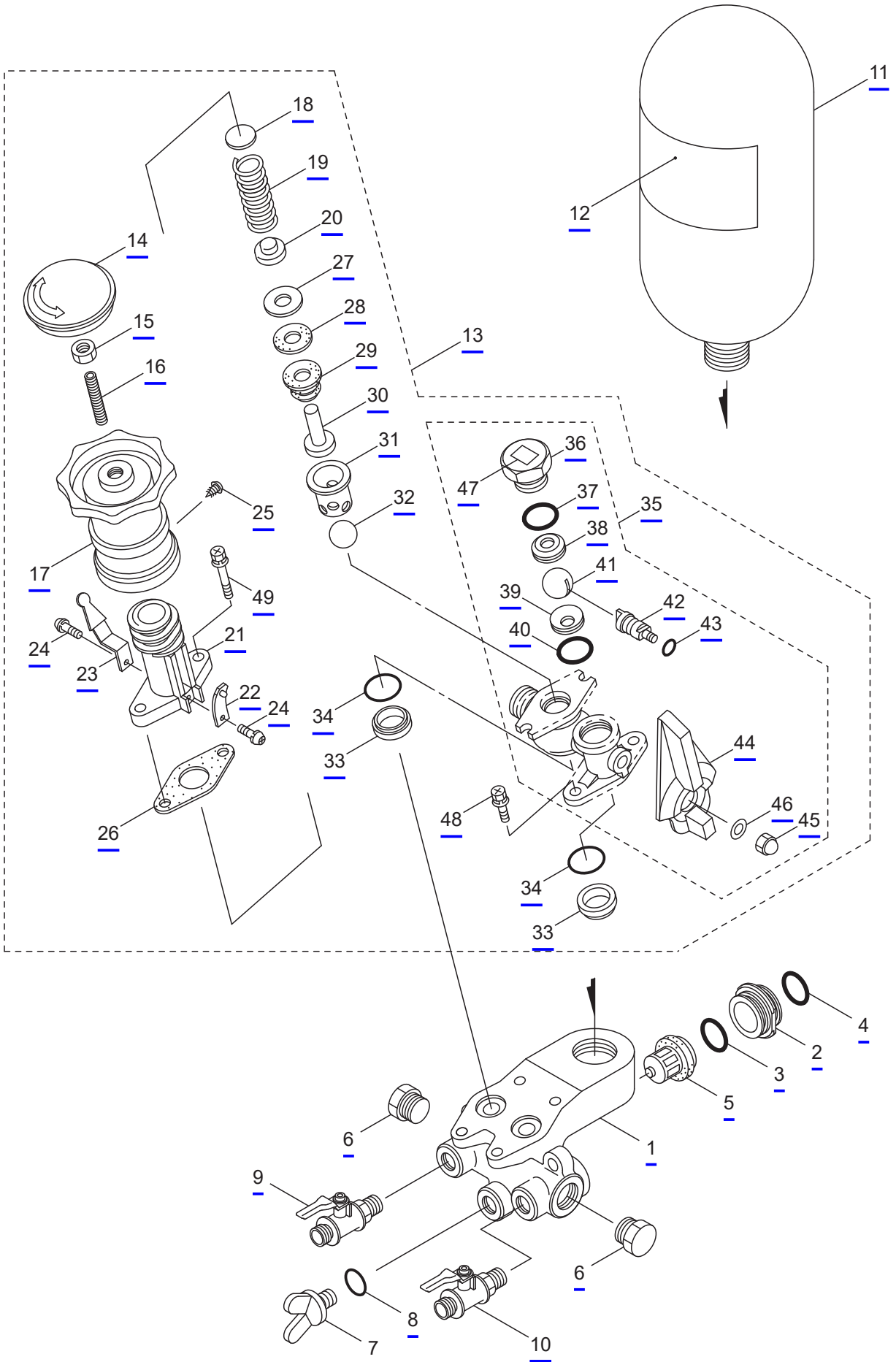
## 2. MS415ECH POWER SPRAYER (CRANKCASE, SUCTION VALVE)



525183-02

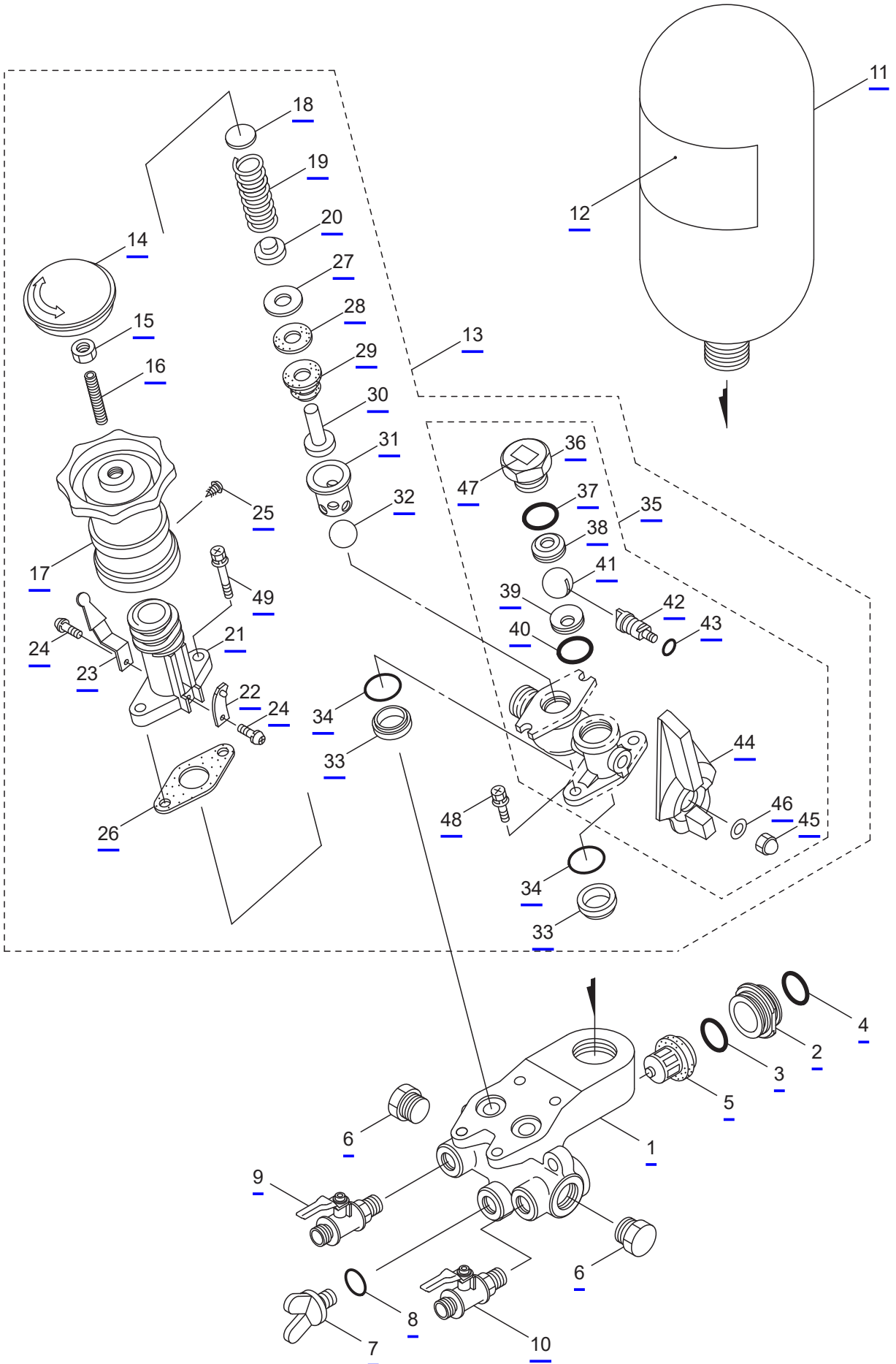


### 3. MS415ECH POWER SPRAYER (PRESSURE REGULATOR VALVE)



Ref.No.	Parts No.	Parts Name	Q'ty	Remarks
3-1	<a href="#">120831</a>	Discharge Manifold	1	
3-2	<a href="#">130537</a>	Pipe Receiver	3	
3-3	<a href="#">023172</a>	<a href="#">O-Ring</a>	3	P22
3-4	<a href="#">015862</a>	<a href="#">O-Ring</a>	3	<a href="#">P21</a>
3-5	<a href="#">120276</a>	Valve Ass'y	3	
3-6	<a href="#">108368</a>	Plug	2	R1/2
3-7	<a href="#">108366</a>	Plug	1	G1/4
3-8	<a href="#">023170</a>	<a href="#">O-Ring</a>	1	P12.5
3-9	<a href="#">120834</a>	Ball Cock	1	G1/4XR1/4
3-10	<a href="#">120835</a>	Ball Cock	1	G3/8XR3/8
3-11	<a href="#">130548</a>	Air Chamber	1	
3-12	<a href="#">130513</a>	Label	1	
3-13	<a href="#">130453</a>	Pressure Regulator Valve Ass'y	1	Incl.14-49
3-14	<a href="#">130454</a>	Cap	1	
3-15	<a href="#">126195</a>	Nut	1	M10
3-16	<a href="#">088975</a>	Set Screw	1	M10X49
3-17	<a href="#">130455</a>	Knob	1	
3-18	<a href="#">126196</a>	Valve Seat	1	17X2.3
3-19	<a href="#">105520</a>	Spring	1	3.2-35L
3-20	<a href="#">105521</a>	Retainer	1	
3-21	<a href="#">105522</a>	Spring Case	1	
3-22	<a href="#">108474</a>	Seat Spring	1	
3-23	<a href="#">105524</a>	Pressure Gauge	1	
3-24	<a href="#">816018</a>	Screw	2	M4X0.7X8
3-25	<a href="#">089899</a>	Tapping Screw	1	M4X13
3-26	<a href="#">105527</a>	Packing	1	
3-27	<a href="#">012255</a>	Washer	1	6.2X22XT0.6
3-28	<a href="#">016972</a>	Bellows Packing	1	5X22X1.5
3-29	<a href="#">011451</a>	Bellows	1	
3-30	<a href="#">124188</a>	Valve Rod	1	
3-31	<a href="#">109026</a>	Retainer	1	
3-32	<a href="#">107238</a>	Valve Ball	1	12.7
3-33	<a href="#">020971</a>	Valve Seat	2	10X20X6.5
3-34	<a href="#">014179</a>	<a href="#">O-Ring</a>	2	P20
3-35	<a href="#">121014</a>	Pressure Regulator Valve Body	1	Incl.36-47
3-36	<a href="#">121689</a>	Ball Retainer	1	
3-37	<a href="#">013971</a>	<a href="#">O-Ring</a>	1	<a href="#">S20</a>
3-38	<a href="#">121690</a>	Valve Seat	1	
3-39	<a href="#">121691</a>	Valve Seat	1	
3-40	<a href="#">013967</a>	<a href="#">O-Ring</a>	1	S14
3-41	<a href="#">120840</a>	Ball Valve	1	
3-42	<a href="#">120841</a>	Ball Rotater	1	
3-43	<a href="#">013918</a>	<a href="#">O-Ring</a>	1	S5
3-44	<a href="#">121007</a>	Handle	1	
3-45	<a href="#">100166</a>	Nut	1	M5

### 3. MS415ECH POWER SPRAYER (PRESSURE REGULATOR VALVE)





#### 4. MS415ECH ACCESSORIES

