

PARTS LIST

MS417

CONTENTS

1. CRANKCASE, SUCTION VALVE	1
2. PURESSURE REGULATOR VALVE.....	5
3. ACCESSORIES	9

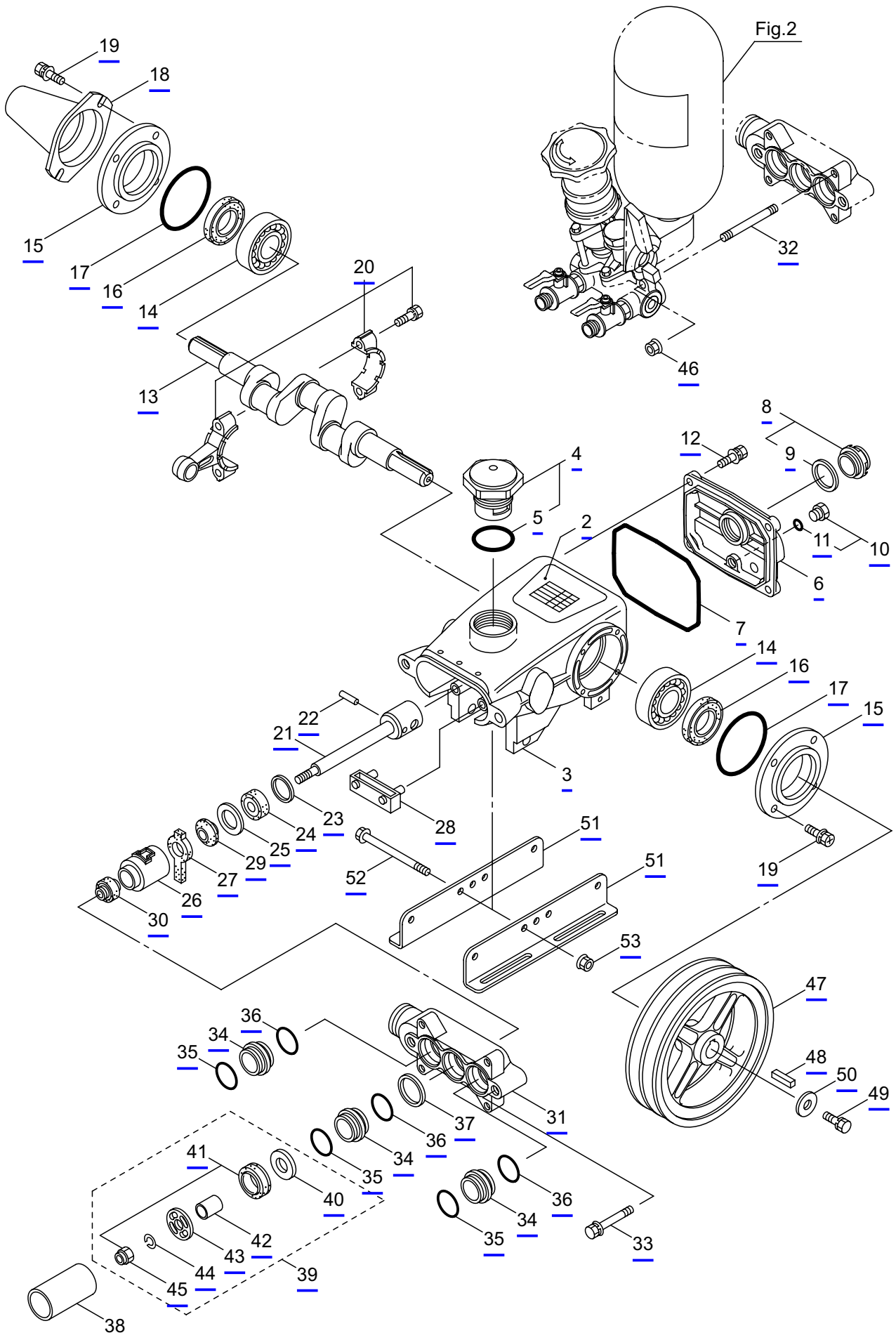
2022. 01.



P/N 525335

MS417

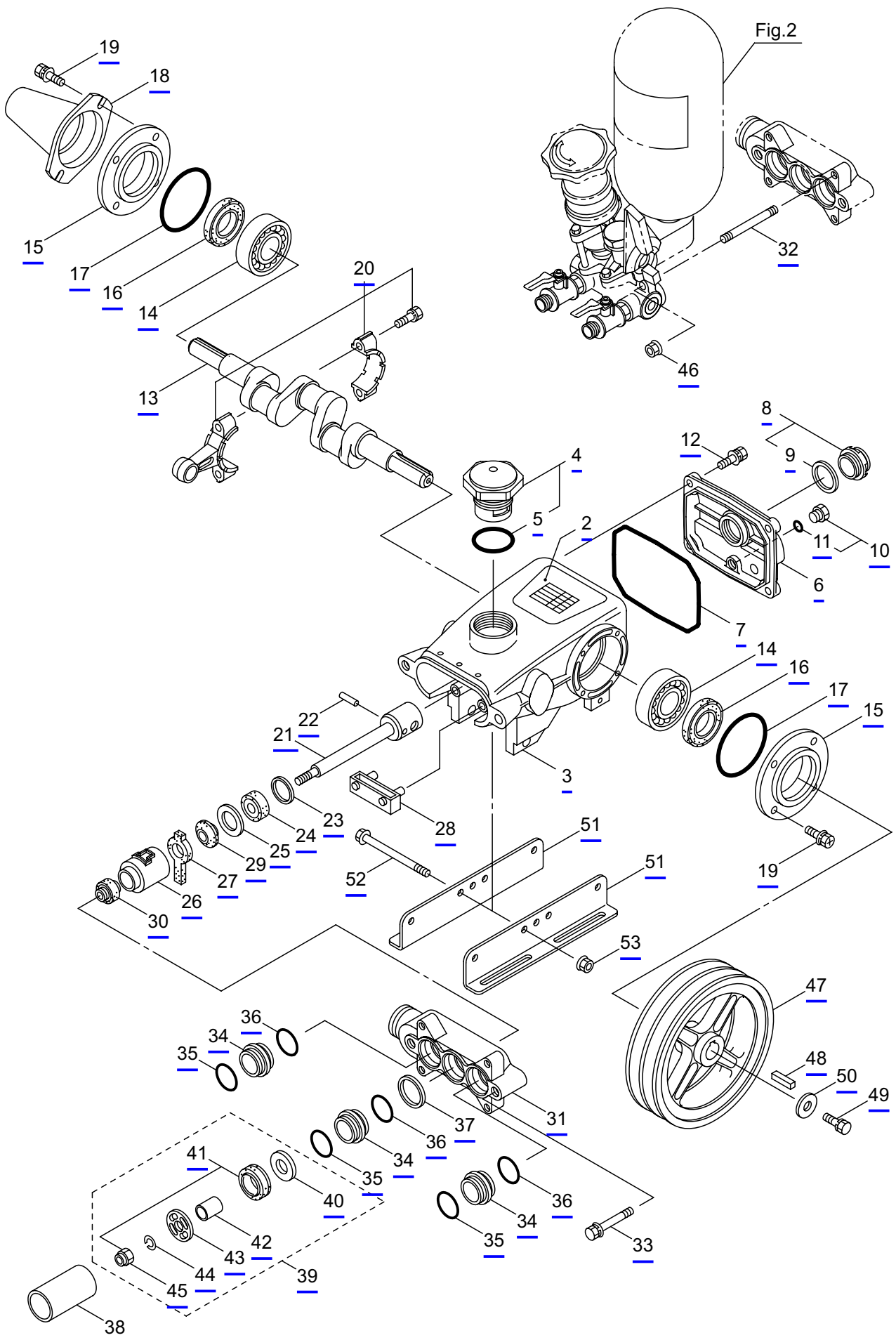
1. CRANKCASE, SUCTION VALVE



Ref. No.	Part No.	Part Name	Q'ty	Remarks
1-1	354230	MS417	1	
1-2	664527	Label	1	MS417
1-3	664426	Ceankcase	1	
1-4	091264	Oil Filler Cap	1	Incl.5
1-5	014177	O-Ring	1	P35
1-6	664481	Crankcase Cover	1	
1-7	048773	O-Ring	1	119x96x2.0
1-8	092241	Oil Gauge Ass'y	1	Incl.9
1-9	044428	Packing	1	25x34xt2
1-10	091376	Drain Plug	1	Incl.11, G1/4
1-11	023170	O-Ring	1	P12.5
1-12	125824	Bolt	4	M6x16
1-13	103921	Crankshaft	1	
1-14	014487	Bearing	2	#6304
1-15	664460	Oil Seal Case	2	
1-16	024159	Oil Seal	2	D204010
1-17	026536	O-Ring	2	51.8x1.5
1-18	025130	Shaft Protector	1	
1-19	125824	Bolt	8	M6x16
1-20	048734	Connecting Rod Ass'y	3	
1-21	120827	Piston Rod	3	
1-22	016948	Piston Pin	3	9x22L
1-23	126259	Washer	3	17x24xT1.2
1-24	025461	Oil Seal	3	S10.5247
1-25	126189	Washer	3	20x28xT1.2
1-26	027710	Seal Retainer	3	
1-27	130515	Felt Packing	3	
1-28	027712	Oil Pan	1	
1-29	026853	Packing	3	
1-30	100015	Seal	3	
1-31	105507	Inlet Manifold	1	
1-32	130492	Stud	4	M8x110x11x18
1-33	128352	Bolt	2	M8X45
1-34	130534	Adapter	3	
1-35	015862	O-Ring	3	P21
1-36	023172	O-Ring	3	P22
1-37	105508	Packing	1	26x28.5xt0.5
1-38	108065	Cylinder Pipe	3	25x28.5x55L
1-39	632583	Inlet Valve Ass'y	3	Incl.40-45
1-40	014122	Inlet Valva Seat	3	6.1x20xt2.8
1-41	632586	Piston Packing Set	3	Incl.45
1-42	027499	Spacer	3	6x8.5x11L
1-43	119917	Retainer, Piston	3	
1-44	015849	Spring Washer	3	M6
1-45	046365	Nylon Nut	3	M6

MS417

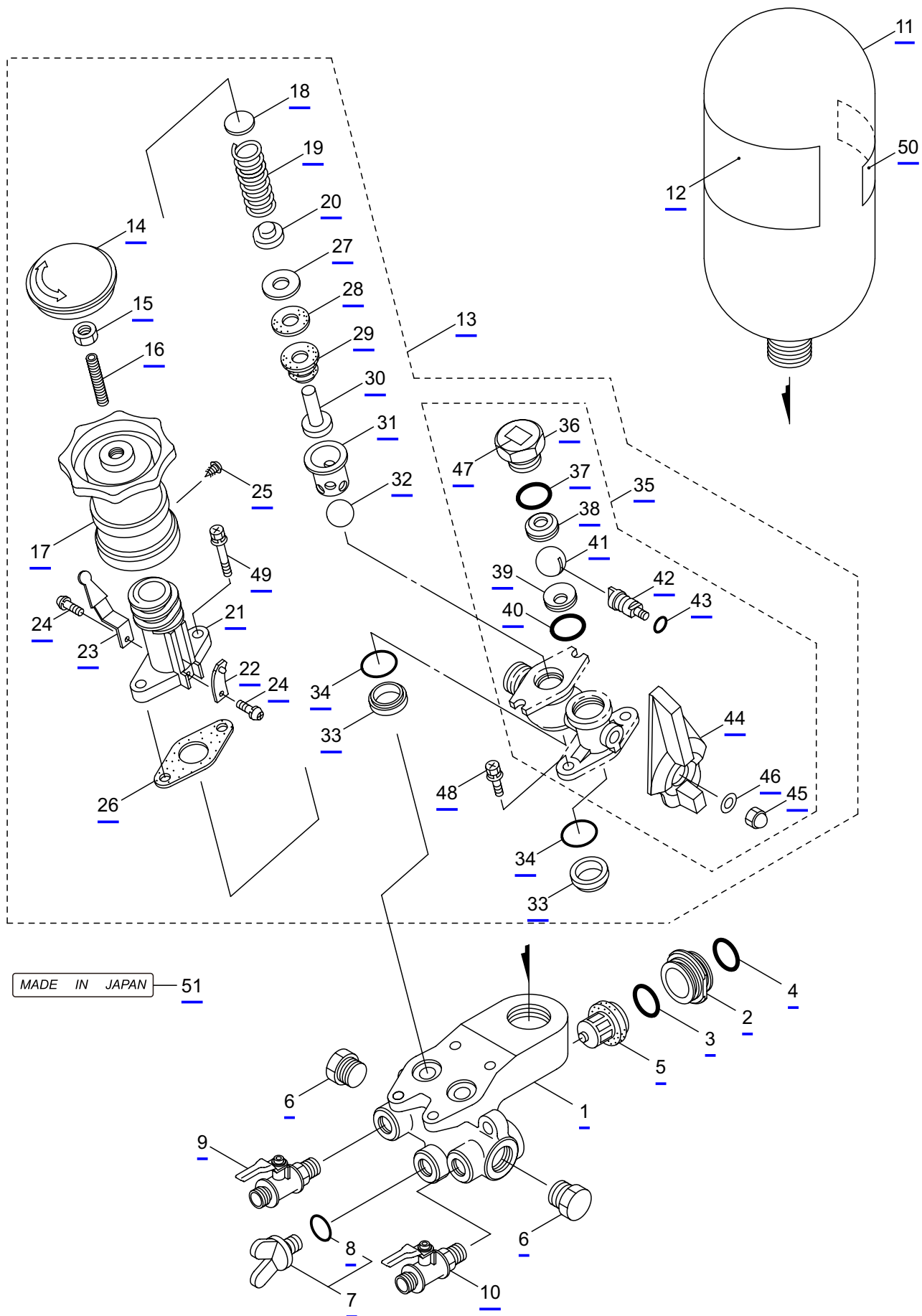
1. CRANKCASE, SUCTION VALVE



Ref. No.	Part No.	Part Name	Q'ty	Remarks
1-46	126201	Nut	4	M8
1-47	100837	V-Pulley	1	152-Ax2
1-48	014543	Key	1	5x5x25L
1-49	126258	Bolt	1	M8x20
1-50	126198	Washer	1	8.5x30xT3.2
1-51	117633	Rail	2	M8x115x30
1-52	126200	Bolt	2	
1-53	126201	Nut	2	

MS417

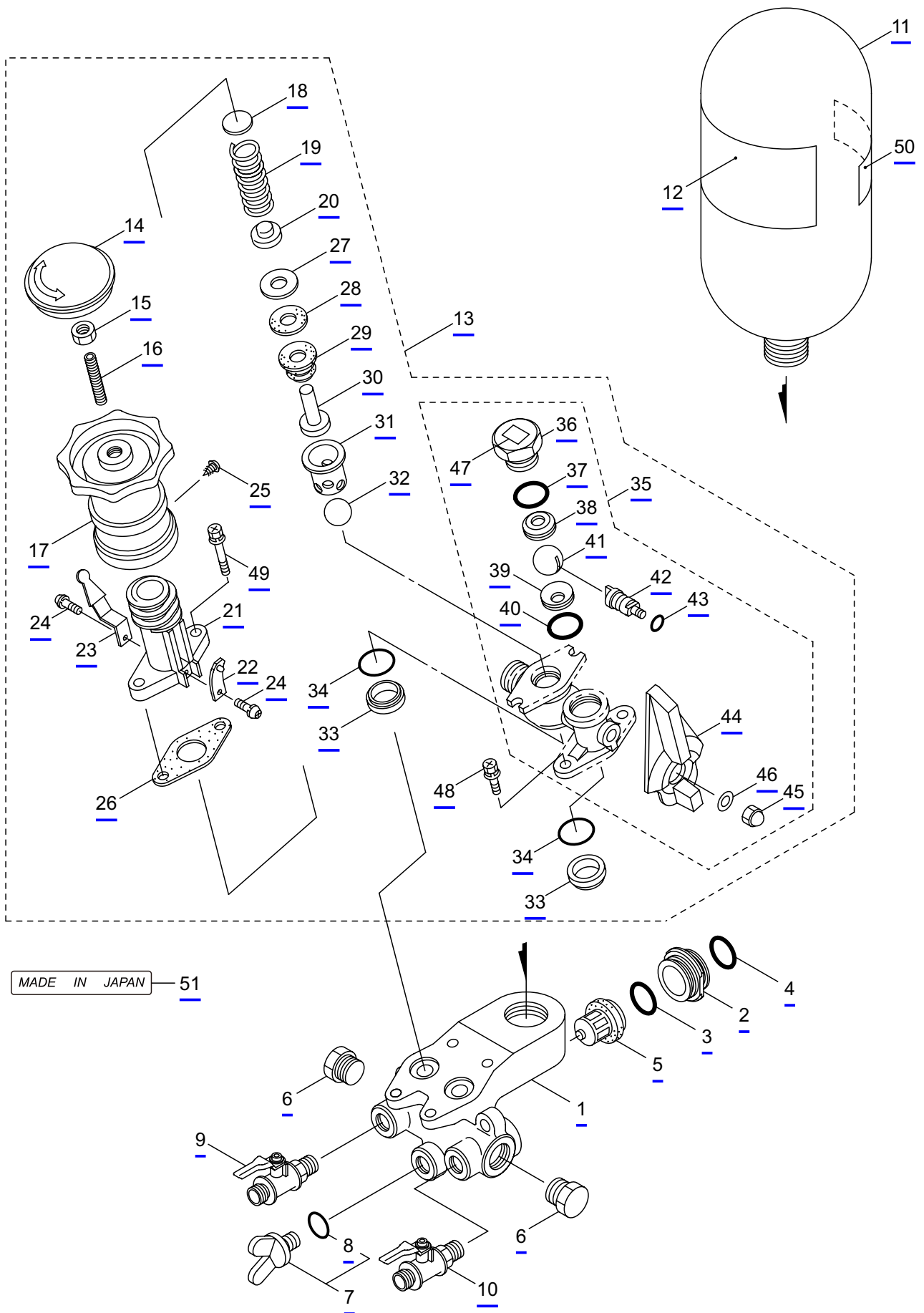
2. PUESSURE REGULATOR VALVE



Ref. No.	Part No.	Part Name	Q'ty	Remarks
2-1	120831	Discharge Manifold	1	
2-2	130537	Adapter	3	
2-3	023172	O-Ring	3	P22
2-4	015862	O-Ring	3	P21
2-5	120276	Discharge Valve Ass'y	3	
2-6	108368	Plug	2	R1/2
2-7	632737	Plug Ass'y	1	Incl.8 G1/4
2-8	023170	O-Ring	1	P12.5
2-9	120834	Cock Ass'y	1	G1/4xR1/4
2-10	120835	Cock Ass'y	1	G3/8xR3/8
2-11	130548	Air Chamber	1	
2-12	664542	Label	1	Caution
2-13	664597	Pressure Regulator Valve Ass'y	1	Incl.14-49
2-14	130910	Cap	1	
2-15	126195	Nut	1	M10
2-16	088975	Screw	1	M10x49
2-17	663939	Grip	1	
2-18	126196	Retainer	1	17x2.3
2-19	105520	Spring	1	
2-20	105521	Retainer	1	
2-21	105522	Case	1	
2-22	108474	Plate Spring	1	
2-23	105524	Indicator	1	
2-24	816018	Screw	2	M4x0.7x8
2-25	089899	Tapping Screw	1	M4x13
2-26	105527	Packing	1	
2-27	012255	Washer	1	6.2x22xt0.6
2-28	016972	Bellows Packing	1	5x22xt1.5
2-29	011451	Bellows	1	
2-30	124188	Valve Rod	1	
2-31	109026	Retainer	1	Stainless steel
2-32	107238	Valve Ball	1	12.7(1/2)
2-33	020971	Valve Seat	2	10x20xt6.5
2-34	014179	O-Ring	2	P20
2-35	121014	By-pass Valve Ass'y	1	Incl.36-47
2-36	121689	Ball Retainer	1	
2-37	013971	O-Ring	1	S20
2-38	121690	Valve Seat	1	
2-39	121691	Valve Seat	1	
2-40	013967	O-Ring	1	S14
2-41	120840	Ball Valve	1	
2-42	120841	Ball Retainer	1	
2-43	013918	O-Ring	1	S5
2-44	121007	Handle	1	
2-45	100166	Nut	1	M5

MS417

2. PURESSURE REGULATOR VALVE



MS417
3. ACCESSORIES

