

PARTS LIST

MS657

CONTENTS

1. CRANKCASE, SUCTION VALVE	1
2. PURESSURE REGULATOR VALVE.....	5
3. ACCESSORIES	9

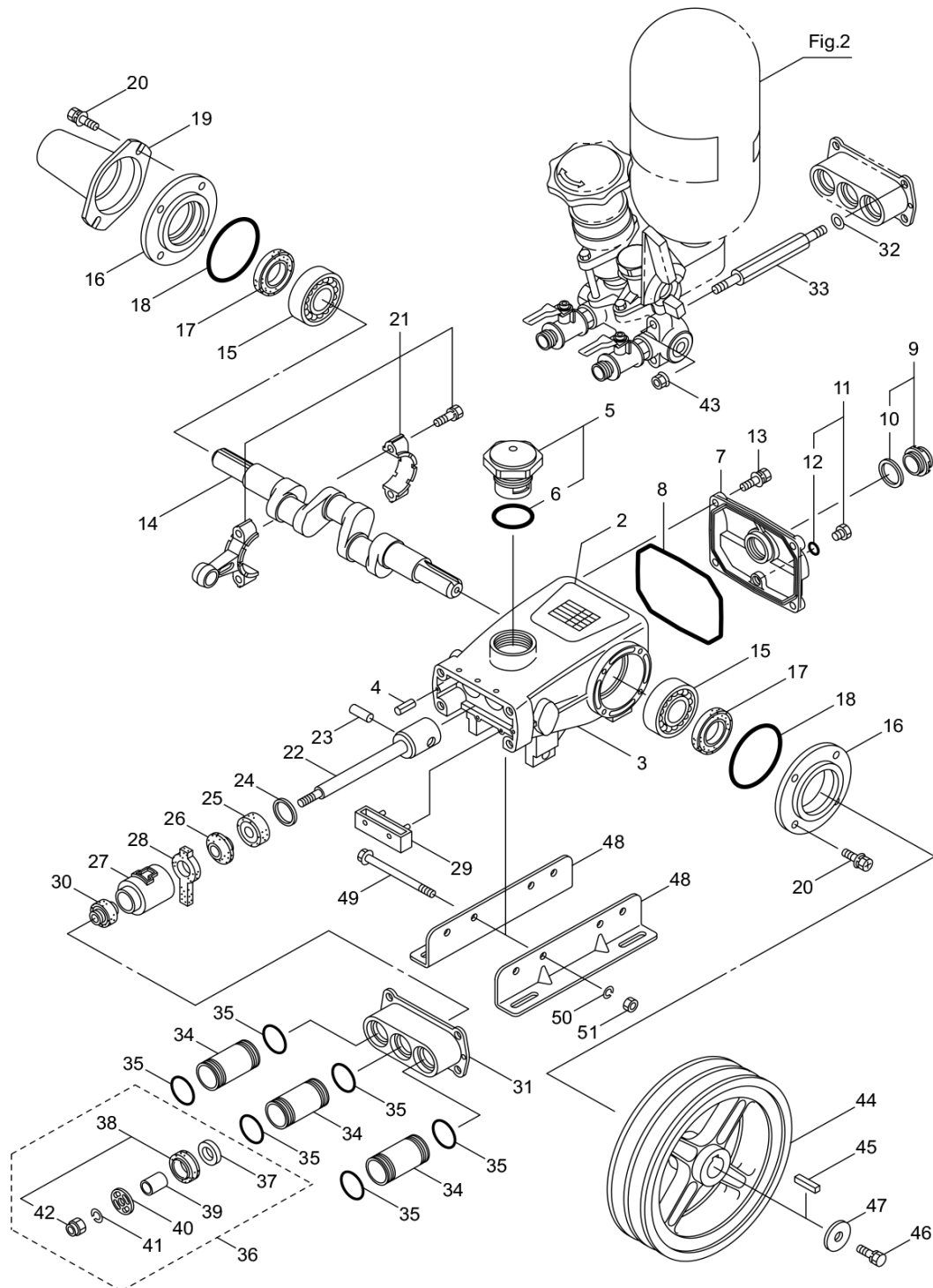
2022. 01.



P/N 525336

MS657

1. CRANKCASE, SUCTION VALVE

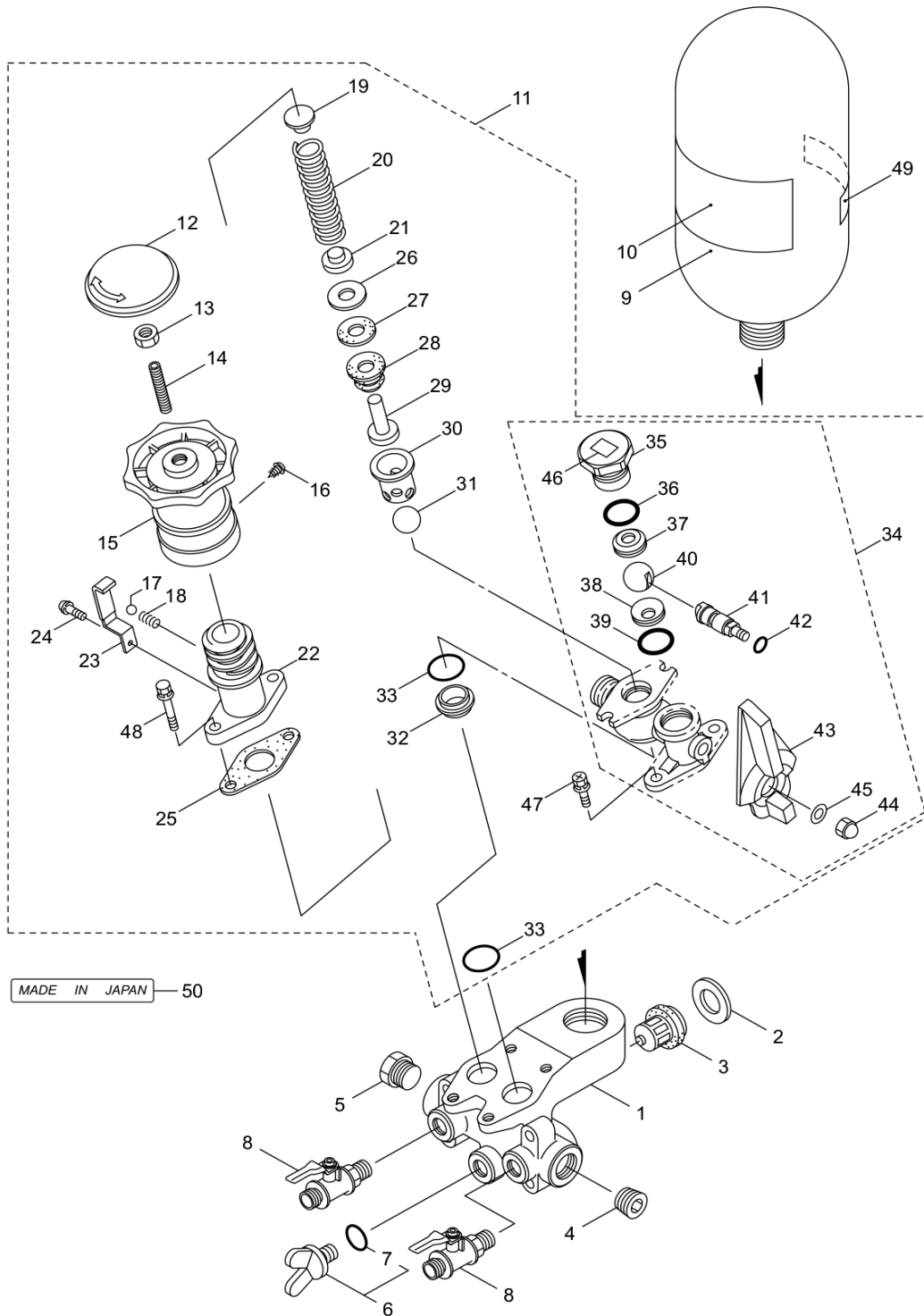


Status	Position	Parts Number	Parts Name	Unit Quantity	Set Unit Quantity	Specification	Remarks	Maker code
	<u>1</u>	<u>354233</u>	<u>MS657</u>	<u>1</u>				
	<u>2</u>	664523		<u>1</u>		<u>MS657</u>	<u>MS657</u>	

Status	Position	Parts Number	Parts Name	Unit Quantity	Set Unit Quantity	Specification	Remarks	Maker code
	3	664432		1		サイドゲージナシ		
	4	027488	GUIDE PIN	2	5	5X12 AW		
	5	091264	CAP OIL FILLER	1		W35.85	Incl.6	
	6	014177	<u>O-RING</u>	1		P35	P35	
	7	664482		1		P/N129996		
	8	014070	<u>O-RING</u>	1		S150	S150	
	9	092241	OIL GAUGE	1			Incl.10	
	10	044428	PACKING	1	5	25X34XT2	25x34xt2	
	11	091376	PLUG ASSY	1		G1/4	Incl.12, G1/4	
	12	023170	<u>O-RING</u>	1	5	P12.5	P12.5	
	13	125824	BOLT	4	5	M6X16(SMK)	M6x16	
	14	028203	CRANKSHAFT (W/8MM HOLES)	1		ワザ 1105025		
	15	047080	BEARING 6306	2		#6306	#6306	
	16	664462		2		P/N027930		
	17	027330	SEAL OIL	2		D30458	D30458	
	18	026965	<u>O-RING SEAL CASE</u>	2		71.7X1.6	71.7x1.6	
	19	108379	SHAFT PROTECTOR	1				
	20	125824	BOLT	8	5	M6X16(SMK)	M6x16	
	21	048733	CONNECTING ROD	3				
	22	120901	PISTON ROD	3				
	23	020251	PIN PISTON ROD	3		11X29	11X29L	
	24	126585	WASHER SEAL	3	5	24X32XT1.2	24x32xt1.2	
	25	027987	SEAL OIL	3		S10.5327	S10.5 32 7	
	26	026853	PACKING	3	5			
	27	027341	RETAINER SEAL	3				
	28	130517	FELT PACKING	3		10.5X26X5		
	29	027911	OIL PAN	1				
	30	100015	SEAL PACKING	3				
	31	108383	INLET MANIFOLD	1				
	32	126593	WASHER SHIM	4	5	10.5X15.5XT1.5	10.5x15.5xt1.5	
	33	130494	BOLT CYLINDER	4		M10X134.5X20X20	M10x94x40.5x25	
	34	108384	CYLINDER MAC 1010	3		28.5X36X50	28.5x36x50L	
	35	026969	<u>O-RING CYLINDER</u>	6	5	31.3X2.65	31.3x2.65	
	36	632585	A BLOCK	3			Incl.37-42	
	37	026541	MACHIND DISC	3		7X25X3.8	7x25xt3.8	
	38	632588	PISTON PACKING	3			Incl.42	
	39	027796	SPACER PISTON	3		7X10X11.5	7x10x11.5L	
	40	120904	PISTON RETAINER	3		M7		
	41	015850	WASHER <u>LOCK</u>	3	5	M7 2コウ	M7	
	42	115598	NUT	3		M7	M7	
	43	126567	FLANGED <u>HEX</u> NUT M10	4	5	M10 トクシ	M10	
	44	108408	V-PULLEY	1		229-BX2	229-Bx2	
	45	064203	KEY	1		7X7X30 リヨウカク	7x7x30L	
	46	126258	<u>HEX HEAD</u> SCREW	1	5	M8X20	M8x20	
	47	126198	WASHER	1	5	8.5X30XT3.2	8.5x30xt3.2	
	48	117634	ANGLE RAIL	2				
	49	126533	BOLT <u>HEX</u>	2		M10X140X32	M10x140x32	
	50	126231	WASHER <u>LOCK</u>	2	5	M10 2コウ	M10	
	51	126522	NUT	2	5	M10 1コ	M10	

MS657

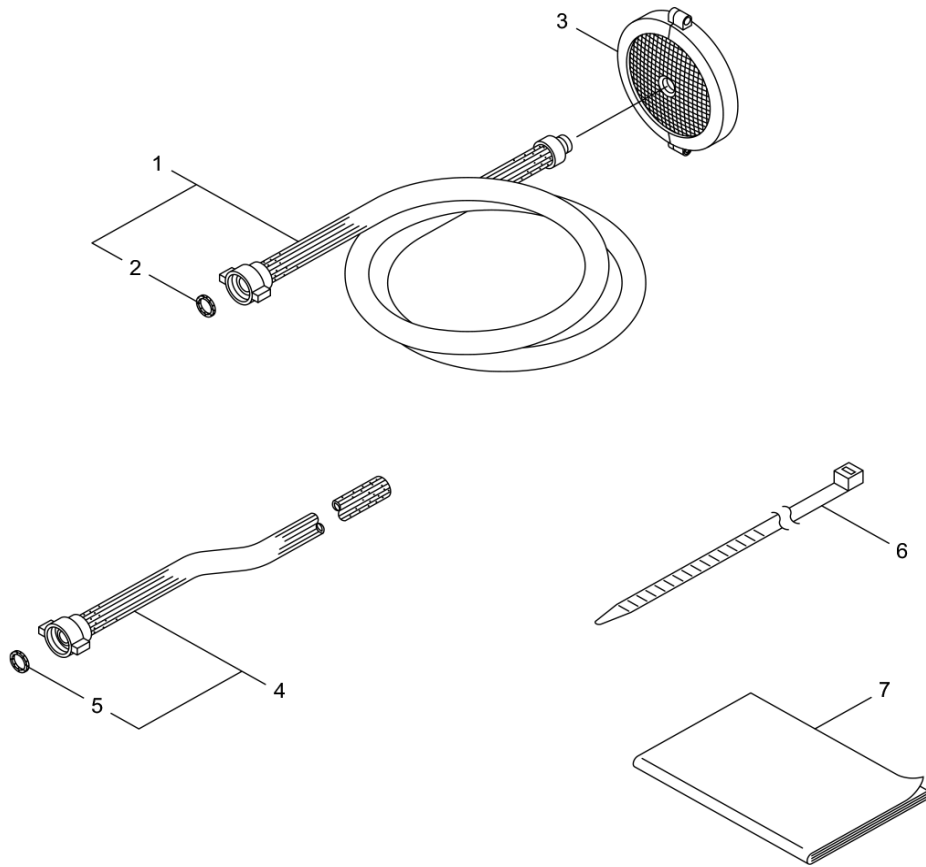
2. PURESSURE REGULATOR VALVE



Status	Position	Parts Number	Parts Name	Unit Quantity	Set Unit Quantity	Specification	Remarks	Maker code
	<u>1</u>	<u>120906</u>	DISCHARGE MANIFOLD	<u>1</u>				
	2	<u>108406</u>	WASHER	<u>3</u>		21.5X36XT3	21.5x36xt3	

Status	Position	Parts Number	Parts Name	Unit Quantity	Set Unit Quantity	Specification	Remarks	Maker code
	3	120236	MACHINED DISC	3				
	4	130470	PLUG	1		R3/4 1ｼｼ	R3/4	
	5	108399	PLUG	1		R3/4	R3/4	
	6	632737	PLUG SET	1			Incl.7 G1/4	
	7	023170	<u>O-RING</u>	1	5	P12.5	P12.5	
	8	120835	BALL LEVER	2		G3/8XR3/8 NI	G3/8xR3/8	
	9	130442	AIR CHAMBER	1				
	10	664542		1		ULTI FLOW チｺﾞｲ	Caution	
	11	664599	PRESSURE REGULATOR	1		MS617	Incl.12-48	
	12	662707		1		ｸｯ		
	13	126195	NUT	1	5	M10 3ｼｼ	M10	
	14	120913	SET SCREW	1		M10X35 ﾏﾙｷ	M10x35	
	15	663950		1		ｸｯ 5MPA		
	16	089899	SCREW(+)	1	10	ﾏﾞ 2ｼｼM4X13	M4x13	
	17	011495	MACHINED DISC BALL	1	5	1/4	1/4"	
	18	121221	SPRING	1	5	0.9-8L		
	19	108402	SPRING RETAINER	1				
	20	120917	SPRING	1		4.5-79		
	21	120918	SPRING RECEIVER	1				
	22	120919	CASE	1				
	23	121079	PLATE	1				
	24	816018	SCREW	1	10	M4X0.7X8	M4x0.7x8	
	25	122734	PACKING	1	5	T0.5	T0.5	
	26	120925	WASHER	1	5	11X30XT0.5		
	27	120926	P.R.BELLOWS PACKING	1	5			
	28	120927	P.R.V.BELLOWS	1				
	29	124191	VALVE ROD	1				
	30	124190	SACK	1				
	31	120931	MACHINED BALL	1		22.225 (ﾓﾃ 7/8)	7/8"	
	32	120932	P.R. SEAT	1				
	33	020285	<u>O-RING</u> CYLINDER	2	5	P24	P24	
	34	121015	BODY ASSY	1			Incl.35-46	
	35	120933	BALL RETAINER	1				
	36	013975	<u>O-RING</u> (S24)	1	5	S24	S24	
	37	121692	VALVE SEAT	1				
	38	121693	MACHINED DISC	1				
	39	013970	<u>O-RING</u>	1	5	S18	S18	
	40	120934	BALL DISC	1				
	41	120935	BALL ROTATOR	1				
	42	025300	<u>O-RING</u>	1	5	S6	S6	
	43	121007	HANDLE	1		ｱｶ		
	44	100166	CAP NUT	1	10	M5 3ｶﾞﾀ	M5	
	45	012487	WASHER	1	10	M5 ﾕｶﾞﾀﾞﾙ	M5	
	46	108355	LABEL	1		ﾔｼﾞﾙｼ	Arrow mark	
	47	125753	<u>HEX BOLT</u> REAR COVER	2		M8X25(SMK)	M8x25	
	48	120937	BOLT	2		M8X70X30(SMK)	M8x70x30	
	49	131158		1		CAUTION	Caution	
	50	268950		1		MADE IN JAPAN	MADE IN JAPAN	

MS657
3. ACCESSORIES



Status	Position	Parts Number	Parts Name	Unit Quantity	Set Unit Quantity	Specification	Remarks	Maker code
	<u>1</u>	<u>108450</u>	<u>HOSE ASSY</u>	<u>1</u>		25X3.6M	Incl.2 25x3.6M	
	2	<u>103687</u>	SEAL	<u>1</u>	<u>5</u>	23.5X30XT2	23.5x30xt2	

Status	Position	Parts Number	Parts Name	Unit Quantity	Set Unit Quantity	Specification	Remarks	Maker code
	3	122017	SUCTION STRAINER ASSY	1		G1 ｸﾞﾙｯﾌﾟ		
	4	108452	DISCHARGE HOSE ASSY	1		19X3.6M	Incl.5 19x3.6M	
	5	103686	PACKING	1	5	18.5X24XT2	18.5x24xt2	
	6	107107	BAND	1		DSR-300ST		
	7	664653		1		MS317-757(1ｼﾞ ｯ)	MS317-757	