

# PARTS LIST

## MS75E

### CONTENTS

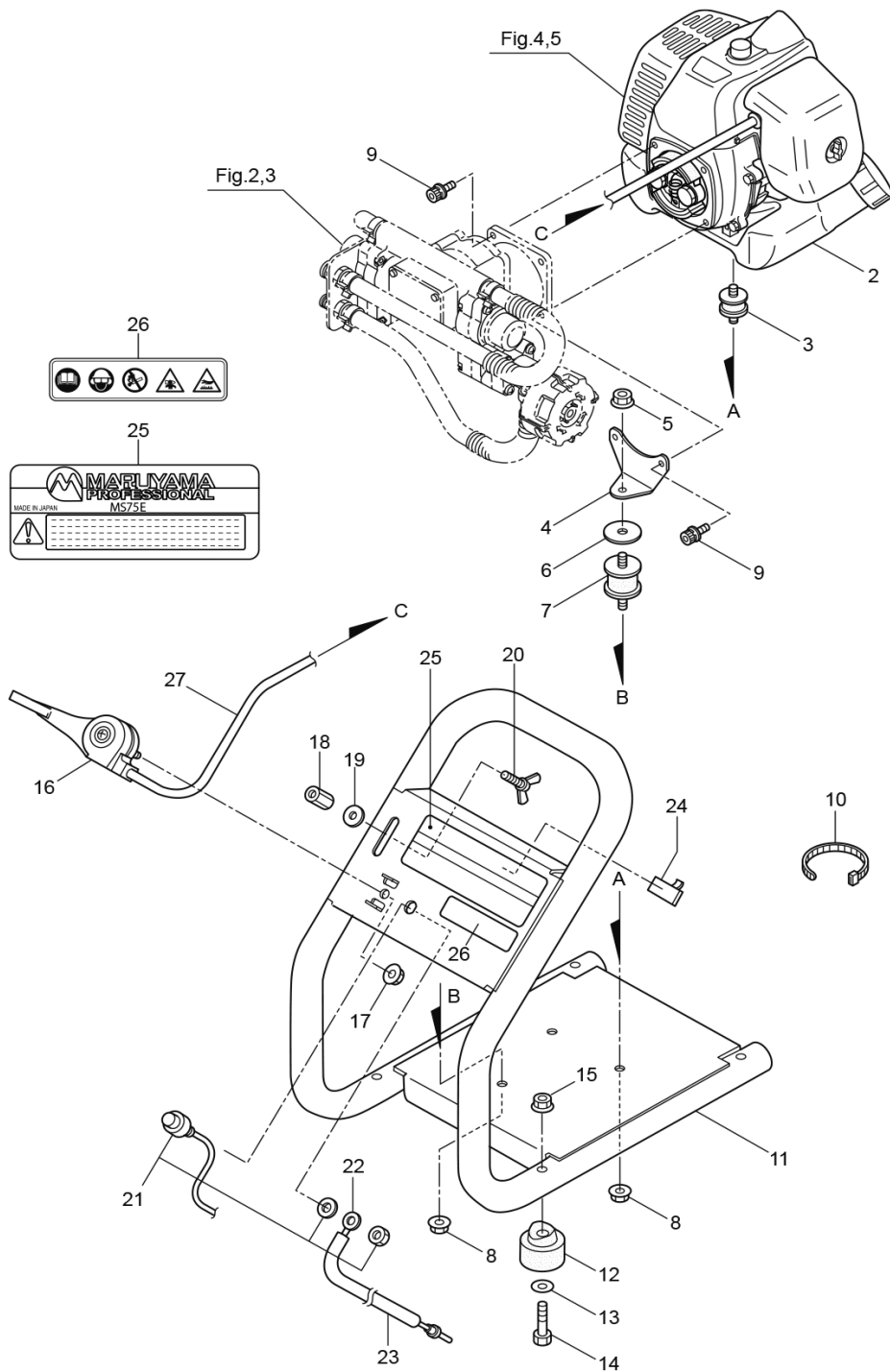
1. MAIN BODY .....	1 ~ 2
2. POWER SPRAYER .....	3 ~ 6
3. REDUCTION GEAR .....	7 ~ 8
4. ENGINE .....	9 ~ 12
5. CARBURETOR, FUEL TANK .....	13 ~ 16
6. ACCESSORIES .....	17 ~ 18

2012. 02.



P/N 523313

1. MS75E  
MAIN BODY

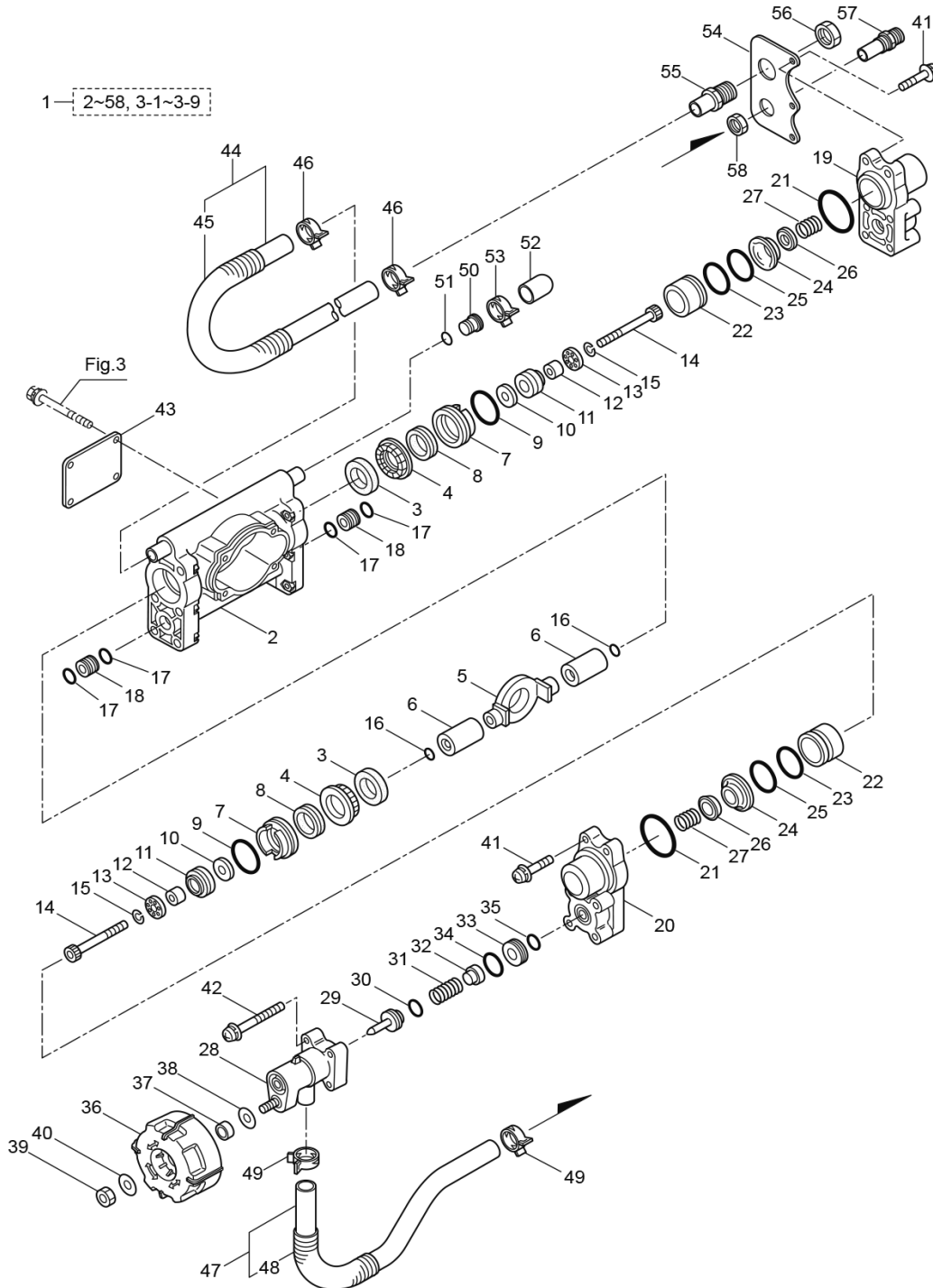


- 1 -

Status	Position	Parts Number	Parts Name	Unit Quantity	Set Unit Quantity	Specification	Remarks	Maker code
				1				

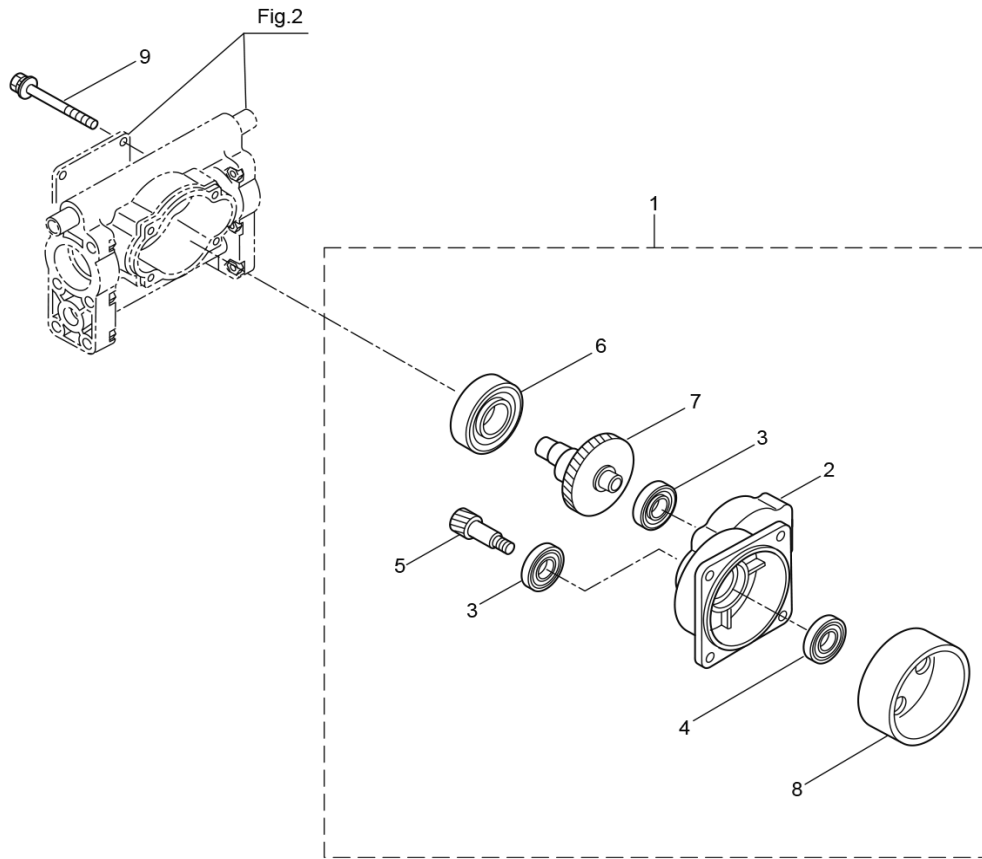
Status	Position	Parts Number	Parts Name	Unit Quantity	Set Unit Quantity	Specification	Remarks	Maker code
	1	<a href="#">353027</a>	MS75E(MUS)	1				
	2	<a href="#">858757</a>	ENGINE CE300P/04	1			CE300P/04	
	3	<a href="#">182114</a>	PACKING	2				
	4	<a href="#">125803</a>	STAY	1				
	5	<a href="#">126756</a>	FLANGE NUT	1	5	M6	M6	
	6	<a href="#">114185</a>	SPACER	1	5	6.5X33XT3	6.5x33xt3	
	7	<a href="#">101877</a>	BUFFER	1		30-M6X14		
	8	<a href="#">126756</a>	FLANGE NUT	3	5	M6	M6	
	9	<a href="#">126178</a>	CAP SCREW	4	5	M5X15	M5x15	
	10	<a href="#">104343</a>	BAND	1	5	CV-200		
	11	<a href="#">129054</a>	FRAME ASSY	1				
	12	<a href="#">100559</a>	BUFFER	4				
	13	<a href="#">019056</a>	WASHER	4	5	6.5X18XT1	6.5x18xt1	
	14	<a href="#">082117</a>	BOLT	4	10	M6X40X18	M6x40x18	
	15	<a href="#">127230</a>	FLANGE NUT	4	10	M6 フランジ ケイ16	M6	
	16	<a href="#">115148</a>	THROTTLE LEVER	1		トウヨウサシキ ヨウ		
	17	<a href="#">127226</a>	FLANGE NUT	1	10	M5	M5	
	18	<a href="#">129082</a>	NUT	1		M6X15	M6	
	19	<a href="#">126572</a>	WASHER	1	10	M6 コカ タマル	M6	
	20	<a href="#">129059</a>	BOLT	1		M6X15 2ｼｼ	M6x15	
	21	<a href="#">114895</a>	STOP SWITCH	1		AV0.5X320L アカ		
	22	<a href="#">114896</a>	EARTH CORD	1		AV0.5X320L M8		
	23	<a href="#">114901</a>	VINYL HOSE	1		8X9X220(ｸロ)	8x9x220L	
	24	<a href="#">146127</a>	CLAMP	1		ニチデ ン P25350		
	25	<a href="#">130921</a>	LABEL	1		MS75E	MS75E	
	26	<a href="#">266959</a>	LABEL	1		CEｺｰｼﾞｮﾝ	Caution	
	27	<a href="#">284685</a>	CABLE COMPLETE	1				

## 2. MS75E POWER SPRAYER



Status	Position	Parts Number	Parts Name	Unit Quantity	Set Unit Quantity	Specification	Remarks	Maker code
	1	<a href="#">129046</a>	PUMP ASSY	1		MS0741E( <a href="#">129046</a> )	Incl.2~58,3-1~3-9	
	2	<a href="#">125673</a>	CRANKCASE ASSY	1		MS059		
	3	<a href="#">102683</a>	OIL SEAL	2		G16244	G16244	
	4	<a href="#">106190</a>	COLLAR	2	5	クワ トクシユ		
	5	<a href="#">121179</a>	CONNECTING ROD	1		M5		
	6	<a href="#">125680</a>	SLEEVE	2		16X33	16x33	
	7	<a href="#">102358</a>	SEAL RETAINER	2		ナチユル		
	8	<a href="#">112252</a>	PACKING	2				
	9	<a href="#">013977</a>	O-RING	2	5	S26	S26	
	10	<a href="#">043426</a>	SUCTION VALVE SEAT	2		5X17X2.8	5x17xt2.8	
	11	<a href="#">100441</a>	PISTON PACKING ASSY	2		20.5	20.5	
	12	<a href="#">023357</a>	SUCTION MACHINED DISC COLLAR	2		5X8X10	5x8x10L	
	13	<a href="#">022023</a>	SUCTION MACHINED DISC STOPPER	2		5X16X3	5x16xt3	
	14	<a href="#">125681</a>	CAP SCREW	2	5	M5X50X22	M5x50x22	
	15	<a href="#">015848</a>	SPRING WASHER	2	5	M5 2コトウ	M5	
	16	<a href="#">021549</a>	O-RING	2	5	P5	P5	
	17	<a href="#">014175</a>	O-RING	4	5	P9	P9	
	18	<a href="#">100554</a>	SPACER PIPE	2		6X12X10	6x12x10	
	19	<a href="#">103128</a>	CYLINDER HEAD A	1				
	20	<a href="#">102634</a>	CYLINDER HEAD B	1				
	21	<a href="#">013983</a>	O-RING	2	5	S31.5	S31.5	
	22	<a href="#">125682</a>	CYLINDER PIPE	2		20X26X22ミツ ナシ	20x26x22	
	23	<a href="#">023172</a>	O-RING	2	5	P22	P22	
	24	<a href="#">125683</a>	VALVE SEAT	2				
	25	<a href="#">103575</a>	O-RING	2	5	23X1.5	23x1.5	
	26	<a href="#">043723</a>	MACHINED DISC INLET	2		16X1.5		
	27	<a href="#">043360</a>	SPRING	2	5	0.7-15L		
	28	<a href="#">103132</a>	SPRING HOUSING	1				
	29	<a href="#">103758</a>	SPRING RETAINER	1				
	30	<a href="#">011682</a>	O-RING	1		P10 7ツツ	P10	
	31	<a href="#">103759</a>	SPRING	1		2.0-30L		
	32	<a href="#">103747</a>	MACHINED DISC	1				
	33	<a href="#">103746</a>	MACHINED TAPERED DISC	1				
	34	<a href="#">011346</a>	O-RING	1	5	P14	P14	
	35	<a href="#">011343</a>	O-RING	1	5	P10A	P10A	
	36	<a href="#">110780</a>	CAM HANDLE	1		アカ(スタンブ ナシ)		
	37	<a href="#">127225</a>	COLLAR	1	5	8X10X5.3	8x10x5.3	
	38	<a href="#">127217</a>	WASHER	5	5	8.5X14XT0.5	8.5x14xT0.5	
	39	<a href="#">126521</a>	NUT	1	5	M8 1シユ	M8	
	40	<a href="#">127216</a>	WASHER	1	5	M8 ミカ キマル	M8]	
	41	<a href="#">121956</a>	SCREW	8	5	M5X32(SMK)	M5x32	
	42	<a href="#">816036</a>	SCREW	4	5	M5X60(SMK)	M5x60	
	43	<a href="#">125801</a>	PLATE	1				
	44	<a href="#">129047</a>	HOSE ASSY	1			Incl.45	
	45	<a href="#">118337</a>	TUBE	1		15.2X19.5X220スリ	15x19.5x180L	
	46	<a href="#">103033</a>	HOSE BAND	2	5	150-05-00	150-05-00	
	47	<a href="#">129049</a>	HOSE ASSY	1			Incl.48	
	48	<a href="#">129051</a>	TUBE	1		15X19.5X85	15x19.5x85	
	49	<a href="#">103033</a>	HOSE BAND	2	5	150-05-00	150-05-00	
×	50	<a href="#">129041</a>	PLUG	1				
	51	<a href="#">021549</a>	O-RING	1	5	P5	P5	
	52	<a href="#">129042</a>	CAP	1		クワ		
	53	<a href="#">043972</a>	HOSE BAND	1	5	125-06-00		
	54	<a href="#">129052</a>	BRACKET	1				
	55	<a href="#">129053</a>	HOSE COUPLING	1		G3/8	G3/8	
	56	<a href="#">018994</a>	NUT PF3/8	1	5	PF3/8		
	57	<a href="#">103413</a>	NIPPLE	1		PF1/4	PF1/4	
	58	<a href="#">025604</a>	HEX NUT	1		PF1/4 ヲツキナシ	PF1/4	

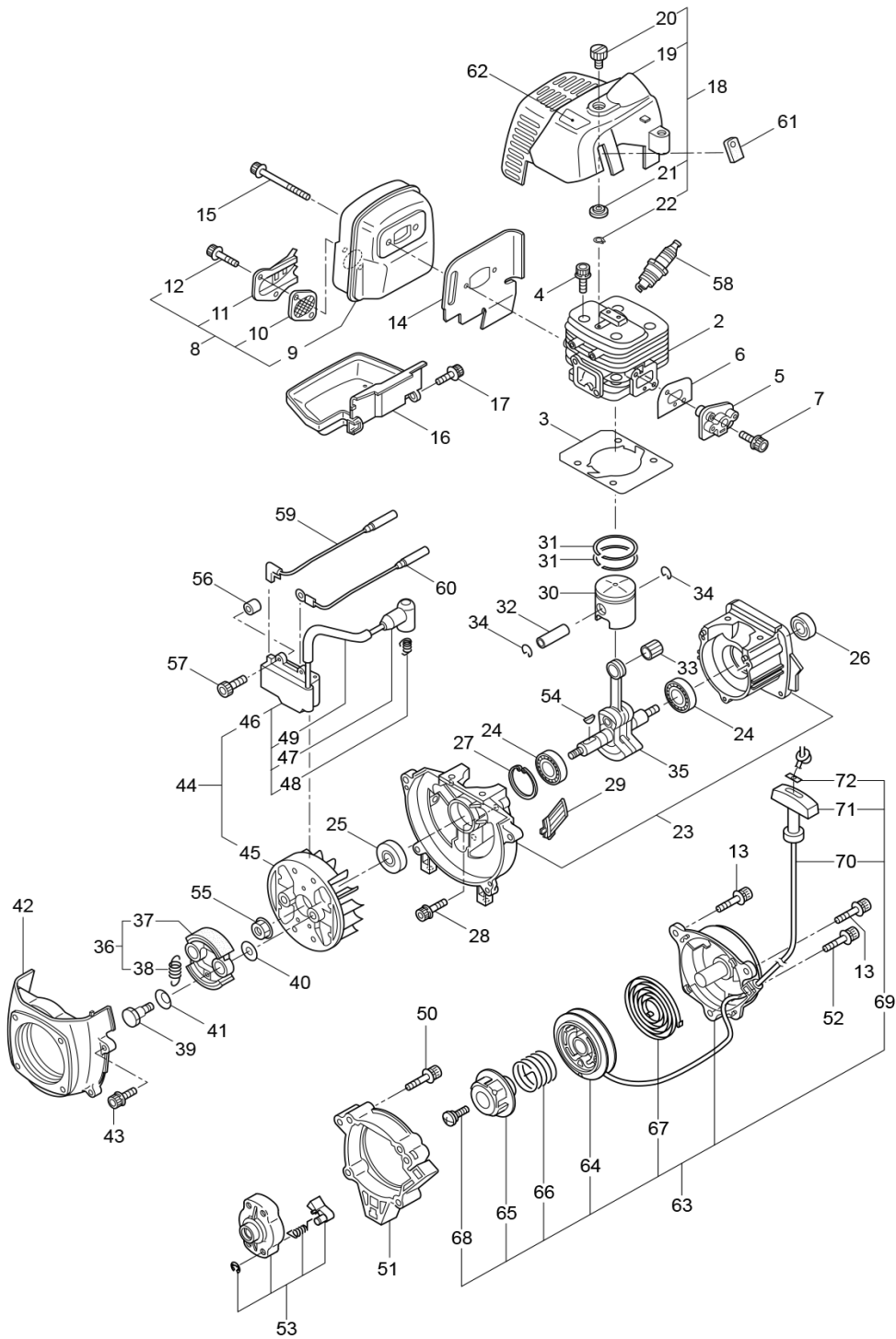
### 3. MS75E REDUCTON GEAR



Status	Position	Parts Number	Parts Name	Unit Quantity	Set Unit Quantity	Specification	Remarks	Maker code
--------	----------	--------------	------------	---------------	-------------------	---------------	---------	------------

Status	Position	Parts Number	Parts Name	Unit Quantity	Set Unit Quantity	Specification	Remarks	Maker code
	1	<a href="#">125684</a>	REDUCTION GEAR ASSY	1		MS059	Incl.2-8	
	2	<a href="#">125685</a>	GEAR CASE	1				
	3	<a href="#">102680</a>	BEARING 6000ZZ	2		#6000ZZ	#6000ZZ	
	4	<a href="#">112184</a>	BEARING 6000DDU	1		6000DDU(NSK)	#6000DDU	
	5	<a href="#">125686</a>	PINION GEAR	1				
	6	<a href="#">103144</a>	BEARING	1		#6004ZZ	#6004ZZ	
	7	<a href="#">125687</a>	CRANKSHAFT	1				
	8	<a href="#">127367</a>	CLUTCH DRUM	1		WJR2525		
	9	<a href="#">126059</a>	BOLT	4		M6X60(SMK)	M6x60	

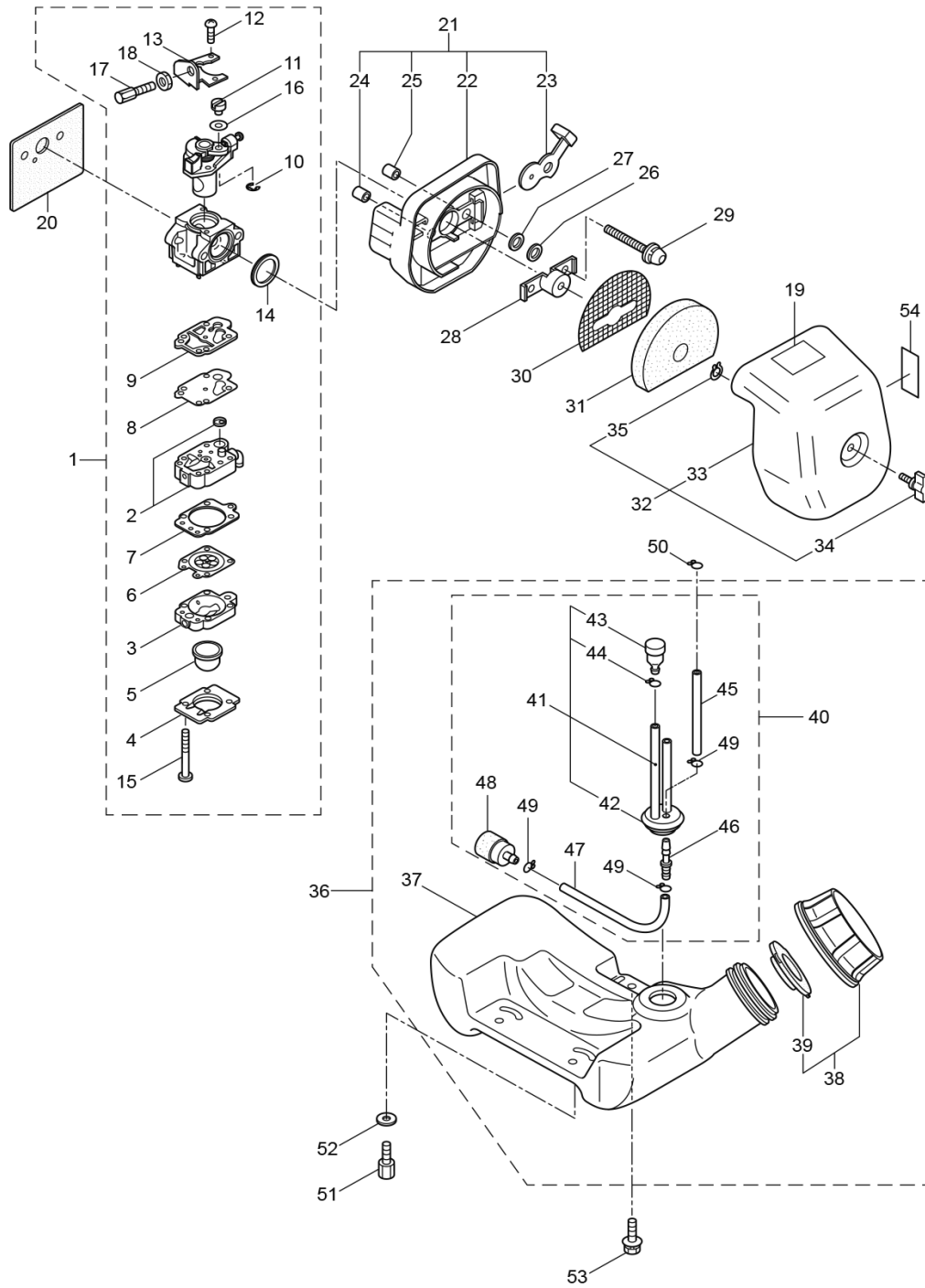
### 4. MS75E ENGINE



Status	Position	Parts Number	Parts Name	Unit Quantity	Set Unit Quantity	Specification	Remarks	Maker code
	1	858757	ENGINE CE300P/04	1			CE300P/04	
	2	<a href="#">286791</a>	CYLINDER	1		TIER3 カセット		
	3	<a href="#">286846</a>	GASKET	1		30CC/T1.0		
	4	<a href="#">261250</a>	CAP SCREW	4	5	M5X20	M5x20	
	5	<a href="#">269144</a>	INSULATOR	1		DE260	New gasket required	
	6	<a href="#">267049</a>	GASKET	1	5			
	7	<a href="#">265924</a>	CAP SCREW	2	5	M5X25WSW+オ	M5x25	
	8	<a href="#">283007</a>	MUFFLER ASSY	1			Incl.9-12	
	9	<a href="#">283003</a>	MUFFLER COMPL	1				
	10	<a href="#">267056</a>	SPARK ARRESTER	1				
	11	<a href="#">268171</a>	MUFFLER TAIL	1				
	12	<a href="#">265107</a>	CAP SCREW	2	5	M4X10	M4x10	
	13	<a href="#">283391</a>	SCREW	2	5	M4X20WSW+ミ/3 カB	M4x20	
	14	<a href="#">281440</a>	GASKET	1				
	15	<a href="#">266402</a>	CAP SCREW	2	5	M5X557mmジ	M5x55	
	16	<a href="#">281435</a>	UNDER COVER	1		クワ CE300		
	17	<a href="#">267191</a>	CAP SCREW	1	5	M5X16WSW+オ	M5x16	
	18	<a href="#">281742</a>	TOP COVER ASSY	1		アカ	Incl.19-22	
	19	<a href="#">281434</a>	TOP COVER	1		アカ		
	20	<a href="#">261018</a>	KNOB BOLT	1		クワ(N1.5)		
	21	<a href="#">261020</a>	SPACER	1				
	22	<a href="#">261734</a>	SNAP RING	1	5	ヨビ`5	#5	
	23	<a href="#">286851</a>	CRANK CASE	1		CE300		
	24	<a href="#">280488</a>	BEARING 6001C3	2		6001 C3リベ`ット	PPL 6001	
	25	<a href="#">261492</a>	OIL SEAL	1		ISCD12287グ`リス シ	ISCD12287	
	26	<a href="#">261386</a>	OIL SEAL	1		ISCD12227グ`リス シ	ISCD12227	
	27	<a href="#">055185</a>	SNAP RING #28	1	5	アナヨウ28	#28	
	28	<a href="#">261612</a>	CAP SCREW	3		M5X30	M5x30	
	29	<a href="#">281442</a>	AIR INTAKE GRILLE (BLACK)	1		クワ		
	30	<a href="#">268782</a>	PISTON	1		CE300		
	31	<a href="#">265067</a>	PISTON RING	2			(2)Required	
	32	<a href="#">265068</a>	PISTON PIN	1		7X10X30.5L		
	33	<a href="#">265225</a>	NEEDLE BEARING KTV101413EGX02B	1				
	34	<a href="#">261393</a>	CLIP	2				
	35	<a href="#">265141</a>	CRANK SHAFT COMPLETE	1				
	36	<a href="#">264887</a>	CLUTCH ASSY	1			Incl.37,38	
	37	<a href="#">264888</a>	CLUTCH SHOE	2			(2)required	
	38	<a href="#">264889</a>	SPRING	1				
	39	<a href="#">264505</a>	BOLT	2				
	40	<a href="#">261189</a>	WASHER	2	5	6X16.5XT1.2	6x16.5xt1.2	
	41	<a href="#">261777</a>	WAVE WASHER	2	5			
	42	<a href="#">281433</a>	FAN COVER	1		シヨットシヨリ		
	43	<a href="#">261250</a>	CAP SCREW	4	5	M5X20	M5x20	
	44	<a href="#">286848</a>	MAGNETO	1			Incl.45-49	
	45	<a href="#">286849</a>	ROTOR	1				
	46	<a href="#">281746</a>	IGNITION COIL ASSY	1		デ`ジ`タ`ル	Incl.47-49	
	47	<a href="#">269714</a>	PLUG BOOT	1		WB 141-13		
	48	<a href="#">269715</a>	CONNECTOR	1		WB98-3674		
	49	<a href="#">281756</a>	TUBE	1				
	50	<a href="#">265726</a>	CAP SCREW	4	5	M4X16メ`ツクツキ	M4x16	
	51	<a href="#">284698</a>	ADAPTER ASSY	1		クワ CE23アシストヨウ		
	52	<a href="#">282096</a>	SCREW	1	5	M4X16メ`ツクミド`リ	M4x16WSW	
	53	<a href="#">283575</a>	STARTER PULLEY	1		ダ`ンパ``-ヨウ		
	54	<a href="#">261076</a>	WOODRUFF KEY 3X10	1	5	A`シ` 3X10	3x10	
	55	<a href="#">261417</a>	NUT ROTOR M8	1	5	M8	M8	

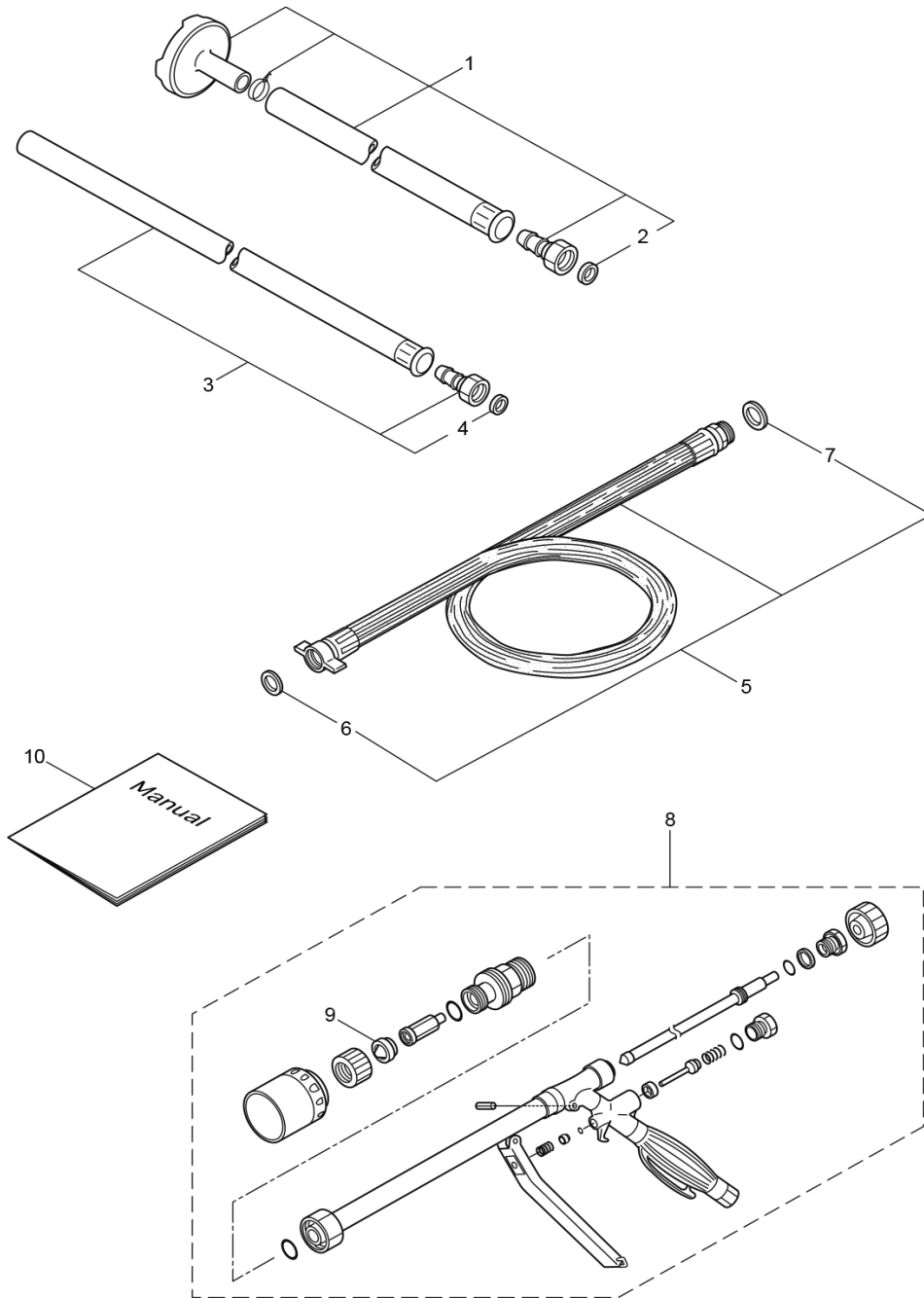
Status	Position	Parts Number	Parts Name	Unit Quantity	Set Unit Quantity	Specification	Remarks	Maker code
	56	<a href="#">280381</a>	SPACER	2	5			
	57	<a href="#">261256</a>	BOLT	2	5	M4X25	M4x25	
	58	<a href="#">285982</a>	SPARK PLUG(BPM8Y)	1		NGK BPM8Y	NGK BPM8Y	
	59	<a href="#">269722</a>	LEAD	1		165 <sup>1</sup> / <sub>2</sub> HCBH		
	60	<a href="#">268044</a>	LEAD	1		135M4 CBH		
	61	<a href="#">269189</a>	GROMMET	1		クワ		
	62	<a href="#">288622</a>	LABEL	1		MS75E		
	63	<a href="#">283477</a>	RECOIL STARTER ASSY	1		クワ -	Incl.64-72	
	64	<a href="#">283504</a>	REEL	1		A54108170001		
	65	<a href="#">283505</a>	CAM PLATE	1		A54308130201		
	66	<a href="#">283506</a>	DUMPER SPRING	1		A52408170300		
	67	<a href="#">280931</a>	SPIRAL SPRING	1				
	68	<a href="#">267213</a>	SCREW	1				
	69	<a href="#">283578</a>	ROPE ASSY	1			Incl.70-72	
	70	<a href="#">283579</a>	STARTER ROPE	1		3MM X 870L		
	71	<a href="#">261725</a>	STARTER GRIP	1				
	72	<a href="#">283511</a>	ROPE STOPPER	1		A57302611810		

### 5. MS75E CARBURETOR, FUEL TANK



Status	Position	Parts Number	Parts Name	Unit Quantity	Set Unit Quantity	Specification	Remarks	Maker code
	1	<a href="#">282542</a>	CARBURETOR	1		WYK-254A	Incl.2-18 New gasket required	
	2	<a href="#">264155</a>	CARBURETOR BODY	1		WB5-2582		
	3	<a href="#">262991</a>	PURGE BODY	1		WB5-2557		
	4	<a href="#">262992</a>	COVER	1		WB21-3147		
	5	<a href="#">261874</a>	PRIMER	1		WB188-12		
	6	<a href="#">283905</a>	DIAPHRAGM METERRING	1		WB95-614		
	7	<a href="#">262993</a>	GASKET	1		WB92-359		
	8	<a href="#">262994</a>	DIAPHRAGM	1		WB95-99		
	9	<a href="#">282576</a>	GASKET	1		WB92-415		
	10	<a href="#">261876</a>	RING	1		WB16-71		
	11	<a href="#">261658</a>	SWIVEL	1		WB52-34		
	12	<a href="#">261875</a>	SCREW	2		WB96-323		
	13	<a href="#">264677</a>	BRACKET	1		WB167-143		
	14	<a href="#">261657</a>	PACKING	1		WB16-171		
	15	<a href="#">262996</a>	SCREW	4	5	WB96-425		
	16	<a href="#">264678</a>	WASHER	1	5	WB136-221		
	17	<a href="#">263994</a>	SCREW	1		WB96-462 ロング		
	18	<a href="#">261878</a>	NUT	1	5	M6 3ｼﾞ		
	19	<a href="#">285188</a>	LABEL	1		CAｽﾊﾟｰｸﾌﾞﾙｽﾀｲ ｺｸ		
	20	<a href="#">269762</a>	GASKET	1				
	21	<a href="#">268055</a>	AIR FILTER HOUSING ASSY	1			Incl.22-25	
	22	<a href="#">268056</a>	AIR FILTER CASE	1		ﾁｮｰｸﾀｲﾌﾟ		
	23	<a href="#">268057</a>	MACHINED DISC	1				
	24	<a href="#">268157</a>	SLEEVE	1		5.5X7.1X6	5.5x7.1x6L	
	25	<a href="#">268412</a>	SLEEVE	1		5.2X7.1X6.4	5.5x7.1x6.6L	
	26	<a href="#">263345</a>	PACKING	1	5	7.2X11XT1.3	7.2x11xt1.3	
	27	<a href="#">263942</a>	WASHER	1	5	7.2X12XT0.15	7.2x12xt0.15	
	28	<a href="#">263815</a>	STAY	1				
	29	<a href="#">264016</a>	CAP SCREW	2	5	M5X60	M5x60	
	30	<a href="#">265026</a>	SCREEN	1				
	31	<a href="#">265027</a>	FORM ELEMENT	1				
	32	<a href="#">268058</a>	AIR FILTER COVER ASSY	1			Incl.33-35	
	33	<a href="#">268059</a>	AIR FILTER COVER	1				
	34	<a href="#">281438</a>	KNOB	1				
	35	<a href="#">261734</a>	SNAP RING	1	5	ｺﾞﾋﾞ 5	#5	
	36	<a href="#">289037</a>	FUEL TANK ASSY	1		A46B95C154D52	Incl.37-49	
	37	<a href="#">285224</a>	FUEL TANK	1		CE300P ﾀﾝｸ		
	38	<a href="#">289043</a>	FUEL TANK CAP ASSY	1			Incl.39	
	39	<a href="#">287058</a>	GASKET	1				
	40	<a href="#">289035</a>	FUEL PIPE PICKUP ASSY	1			Incl.41-49	
	41	<a href="#">289036</a>	FUEL PIPE ASSY	1			Incl.42-44	
	42	<a href="#">268065</a>	GROMMET	1		3ﾌﾟ		
	43	<a href="#">261590</a>	BREATHER SUB ASSY	1				
	44	<a href="#">261117</a>	CLIP	1				
	45	<a href="#">289028</a>	PIPE A	1		3X5X53L	3x5x53L	
	46	<a href="#">288921</a>	JOINT	1				
	47	<a href="#">289033</a>	PIPE	1		3X5X100L	3x5x100L	
	48	<a href="#">264653</a>	FILTER ASSY	1		125-552		
	49	<a href="#">261117</a>	CLIP	3				
	50	<a href="#">261117</a>	CLIP	1				
	51	<a href="#">285065</a>	SCREW	2		M5 ﾏｸｼｺﾞﾋﾞ ﾚｯﾄ	M5	
	52	<a href="#">283688</a>	WASHER	2	5	5.5X12X1.6ﾋﾞｱ	5.5x12x1.6	
	53	<a href="#">284695</a>	SCREW	1		M5X18WSW+ﾓ	M5x18	
	54	<a href="#">261352</a>	MARK--LABEL	1		ﾁｮｰｸ	Choke	

### 6. MS75E ACCESSORIES



Status	Position	Parts Number	Parts Name	Unit Quantity	Set Unit Quantity	Specification	Remarks	Maker code
	1	<a href="#">103790</a>	SUCTION <a href="#">HOSE</a> ASSY	1		10X15X2.5(7口)	Incl.2 10x15x2500L	
	2	<a href="#">023330</a>	PACKING 9.5X15X1.5	1	5	9.5X15XT1.5	9.5x15xt1.5	
	3	<a href="#">103792</a>	DISCHARGE <a href="#">HOSE</a> ASSY	1		8X12X2500(7口)	Incl.4 8x13x2500L	
	4	<a href="#">023329</a>	PACKING	1	5	6.5X11.5XT1.5	6.5x11.5xt1.5	
	5	<a href="#">025626</a>	SPRAY HOSE ASSY	1		7.5X20M 7/8口	Incl.6,7 7.5x20M	
	6	<a href="#">023329</a>	PACKING	1	5	6.5X11.5XT1.5	6.5x11.5xt1.5	
	7	<a href="#">023320</a>	PACKING	1	5	11.5X16XT1.5	11.5x16xt1.5	
	8	<a href="#">120403</a>	NOZZLE ASSY	1		HZ-22-20A(ZO-16	Incl.9 Universal Nozzle 20A	
	9	<a href="#">120404</a>	ORIFICE DISK NN-ZO-16	1			NN-20-16	492819
	10	130922	INSTRUCTION MANUAL	1		<a href="#">MS75E</a>	<a href="#">MS75E</a>	