

# PARTS LIST

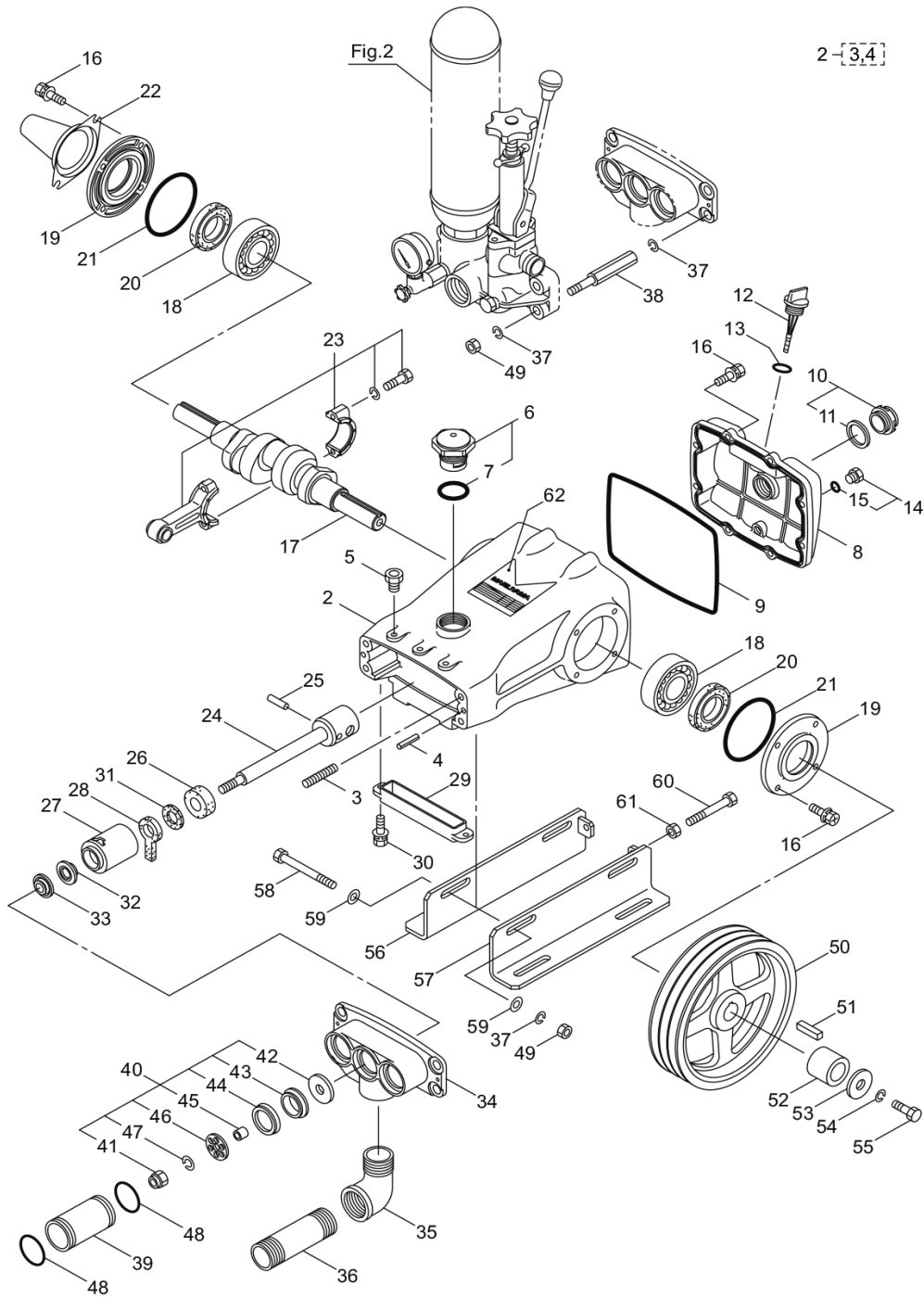
MS905/MS1505/MS2215



2016.10.

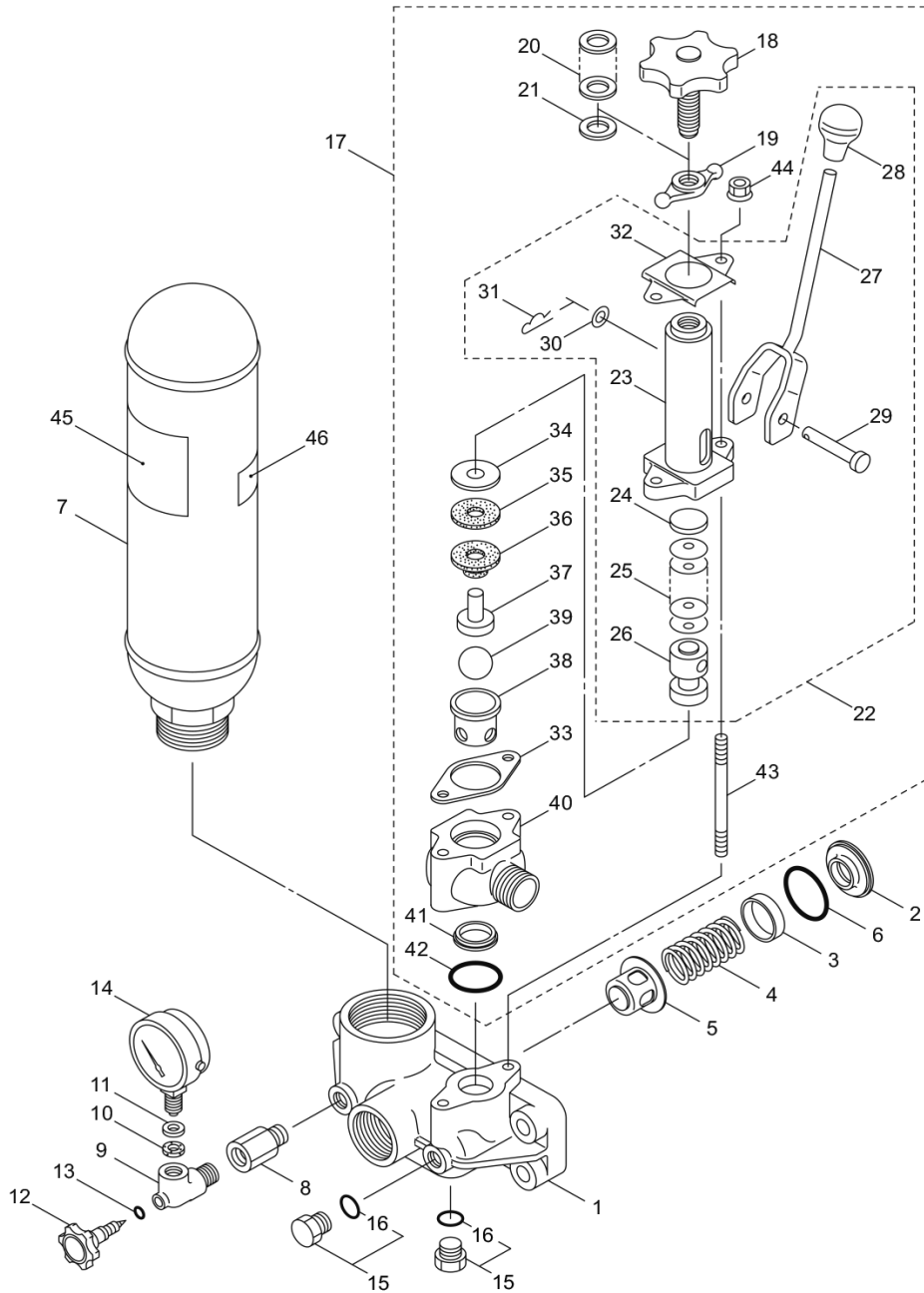
P/N E523179

1. MS905  
CRANKCASE, SUCTION VALVE



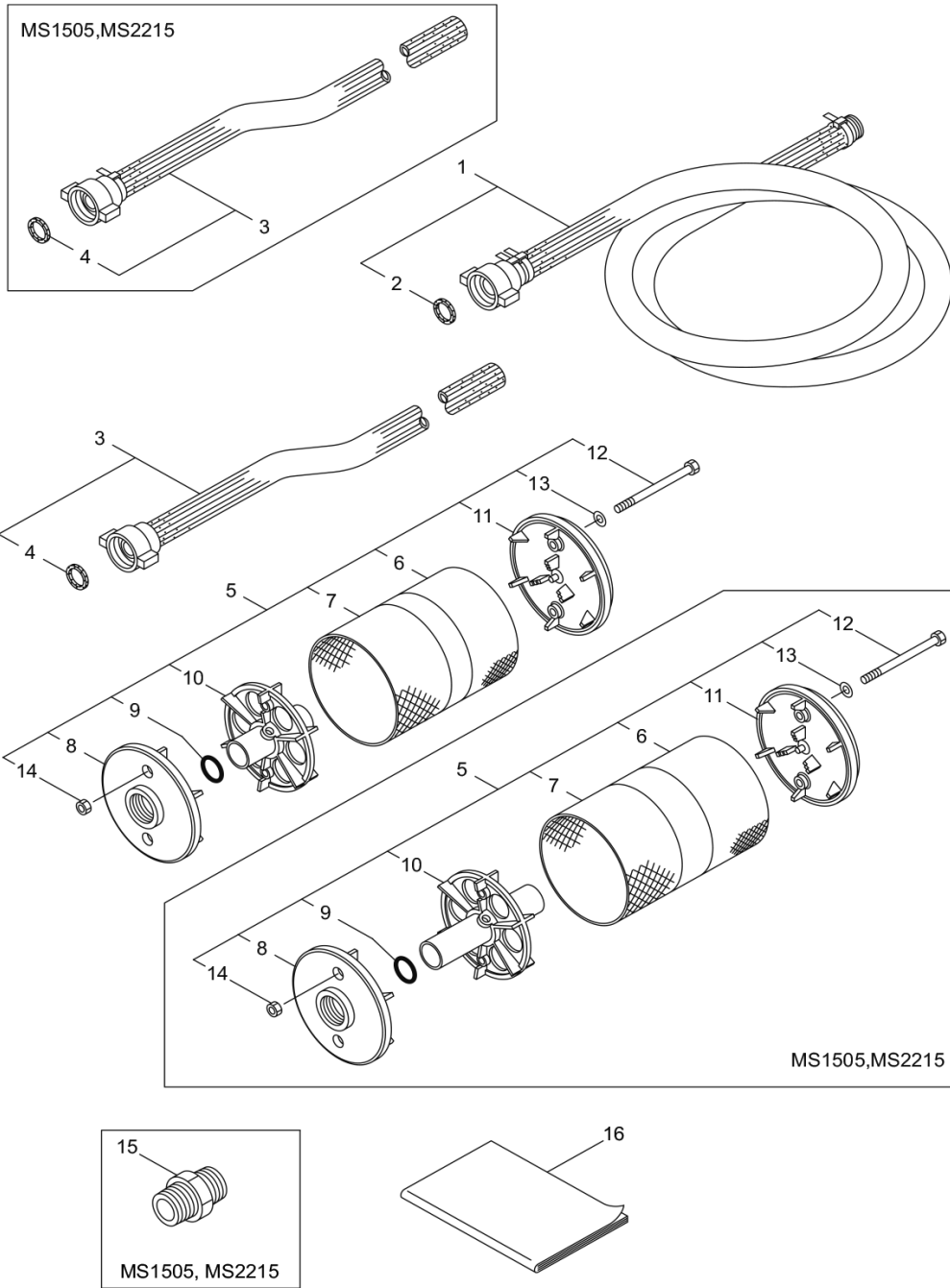
Status	Position	Parts Number	Parts Name	Unit Quantity	Set Unit Quantity	Specification	Remarks	Maker code
	1	<a href="#">354170</a>	<a href="#">MS905</a>	1				
	2	<a href="#">100623</a>	CRANKCASE ASSY	1			Incl.3,4	
	3	<a href="#">126547</a>	STUD	4		<a href="#">M12X28X24X22</a>	<a href="#">M12x28x24x22</a>	
	4	<a href="#">027488</a>	GUIDE PIN	2	5	5X12 AW		
	5	<a href="#">028787</a>	OIL PORT BUSH	3		PF1/4	G1/4	
	6	<a href="#">091264</a>	CAP OIL FILLER	1		W35.85	Incl.7	
	7	<a href="#">014177</a>	<a href="#">O-RING</a>	1		P35 1ｼｺA	P35	
	8	131556	CRANKCASE CAP	1		P/N131557		
	9	<a href="#">027767</a>	<a href="#">O-RING C/C COVER</a>	1		222X3	222x3	
	10	<a href="#">092241</a>	OIL GAUGE	1			Incl.11	
	11	<a href="#">044428</a>	PACKING	1	5	25X34XT2	25x34xt2	
	12	<a href="#">027769</a>	DIP-STICK	1		ﾗｲﾄﾞﾞﾙｰ		
	13	<a href="#">129343</a>	PACKING	1		18.5X24XT3	18.5x24xt3	
	14	<a href="#">091376</a>	PLUG ASSY	1		G1/4	Incl.15, G1/4	
	15	<a href="#">023170</a>	<a href="#">O-RING</a>	1	5	P12.5	P12.5	
	16	<a href="#">126544</a>	SCREW SEMS	16	5	M8X25(SMK)	M8x25	
	17	<a href="#">027846</a>	CRANKSHAFT	1		ｼﾞﾝ ｲ105110		
	18	<a href="#">026512</a>	BEARING 6308	2		#6308	#6308	
	19	<a href="#">027869</a>	OIL SEAL CASE	2		P/N090032		
	20	<a href="#">027771</a>	RETAINER PLUNGER	2		D406212	D406212	
	21	<a href="#">027772</a>	<a href="#">O-RING</a>	2		G90 1ｼｺA	G90	
	22	<a href="#">029004</a>	PROTECTOR	1		<a href="#">MS903</a>		
	23	<a href="#">048613</a>	CON. ROD ASSY 25F TNM	3				
	24	<a href="#">126660</a>	PISTON ROD ASSY	3				
	25	<a href="#">027784</a>	PIN PISTON ROD	3		14X39	14x39	
	26	<a href="#">027849</a>	OIL SEAL	3		S144511	S144511	
	27	<a href="#">027788</a>	RETAINER SEAL	3				
	28	<a href="#">027789</a>	WICK	3		14X40X5	14x40x5	
	29	<a href="#">027790</a>	PAN OIL	1				
	30	<a href="#">125824</a>	BOLT	2	5	M6X16(SMK)	M6x16	
	31	<a href="#">120530</a>	PACKING	3				
	32	<a href="#">101389</a>	SCRAPER	3				
	33	<a href="#">101390</a>	SEAL PACKING	3				
	34	<a href="#">027850</a>	CYLINDER MANIFOLD	1		<a href="#">MS903</a>		
	35	111446		1		2019-11-04	11/4	
×	36	<a href="#">115016</a>		1		R11/4XG11/4	R11/4xG11/4	
	37	<a href="#">126570</a>	WASHER <a href="#">LOCK</a> MEDIUM	10	5	<a href="#">M12 2ｺﾞ ｼ</a>	<a href="#">M12</a>	
×	38	<a href="#">103494</a>		4		<a href="#">M12</a>	<a href="#">M12</a>	
	39	<a href="#">027844</a>	CYLINDER 38X47X65	3		38X47X65	38x47x65	
	40	<a href="#">406506</a>	<a href="#">A-BLOCK</a>	3			Incl.41-47	
	41	<a href="#">117177</a>	NUT	3		M8	M8	
	42	<a href="#">029240</a>	MACHINED DISC	3		8X34X5		
	43	<a href="#">027840</a>	SUCTION MACHINED DISC	3				
	44	<a href="#">028409</a>	CUP PISTON	3		39	39	
	45	<a href="#">029231</a>	SPACER PISTON	3		8X10.5X11.5	8x10.5x11.5	
	46	<a href="#">029239</a>	RETAINER PISTON(M8)	3		8X33.5XT3	8x33.5xT3	
	47	<a href="#">015846</a>	NUT SLOTTED	3	5	M8 2ｺﾞ ｼ	M8	
	48	<a href="#">025495</a>	<a href="#">O-RING</a>	6		P41	P41	
	49	<a href="#">126523</a>	NUT	6	5	<a href="#">M12 1ｼｺ</a>	<a href="#">M12</a>	
	50	<a href="#">019384</a>	V-PULLEY	1		261B3	261B3	
	51	<a href="#">026472</a>	KEY	1		7X7X45 ﾘｯﾖｶｶ	7x7x45	
	52	<a href="#">100115</a>	COLLAR	1		30.7X42.7X38	30.7x42.7x38	
	53	<a href="#">028348</a>	WASHER	1		10.5X45XT4.5	10.5x45xT4.5	
	54	<a href="#">126231</a>	WASHER <a href="#">LOCK</a>	1	5	M10 2ｺﾞ ｼ	M10	
	55	<a href="#">088146</a>	BOLT	1		M10X1.25X25	M10x1.25x25	
	56	<a href="#">027774</a>	RAIL (A)	1				
	57	<a href="#">027775</a>	RAIL (B)	1				
	58	<a href="#">126534</a>	BOLT	2		<a href="#">M12X160X36</a>	<a href="#">M12x160x50</a>	
	59	<a href="#">126575</a>	WASHER	4	5	<a href="#">M12</a> ﾐｶﾞ ｷﾏﾙ	<a href="#">M12</a>	
	60	<a href="#">080372</a>	BOLT	2		M10X80	M10x80	
	61	<a href="#">126522</a>	NUT	2	5	M10 1ｼｺ	M10	
	62	132346		1		<a href="#">MS905</a>	<a href="#">MS905</a>	

## 2. MS905 PRESSURE REGULATOR VALVE



Status	Position	Parts Number	Parts Name	Unit Quantity	Set Unit Quantity	Specification	Remarks	Maker code
	1	<a href="#">027851</a>	DISCHARGE MANIFOLD	1		<a href="#">MS903</a>		
	2	<a href="#">101391</a>	SEAT DISCHAGE MACHINED DISC	3				
	3	<a href="#">027952</a>	MACHINED DISC DISCHARGE	3		MS403		
	4	<a href="#">026548</a>	SPRING	3				
	5	<a href="#">043134</a>	RETAINER SPRING	3		<a href="#">MS903</a>		
	6	<a href="#">101392</a>	<a href="#">O-RING</a>	3		43X2	43x2	
	7	<a href="#">109687</a>	AIR CHAMBER	1				
	8	<a href="#">109689</a>	BUSHING	1		PT3/8XPT1/4	R3/8xR1/4	
	9	<a href="#">013642</a>	PRESSURE GAUGE PROTECTOR	1		PT3/8-PF1/4	R3/8-G1/4	
	10	<a href="#">011241</a>	PACKING	1	5	5.1X11X1.5T	5x11xt1.5	
	11	<a href="#">015453</a>	WASHER	2	5	5X11XT0.5	5x11xt0.5	
	12	<a href="#">027441</a>	NEEDLE	1				
	13	<a href="#">011341</a>	<a href="#">O-RING</a>	1	5	3X2	3x2	
	14	<a href="#">121546</a>	PRESSURE GAUGE	1		60-MAX8-RED4.5		
	15	<a href="#">091376</a>	PLUG ASSY	2		G1/4	Incl.16, G1/4	
	16	<a href="#">023170</a>	<a href="#">O-RING</a>	2	5	P12.5	P12.5	
	17	<a href="#">111308</a>	P.R. VALVE ASSY	1		<a href="#">MS903</a>	Incl.18-44	
	18	<a href="#">107216</a>	P.R.VALVE KNOB	1		M16X1.5X50		
	19	<a href="#">013645</a>	P.R.VALVE KNOB STOPPER	1		M16X1.5	M16x1.5	
	20	<a href="#">012322</a>	WASHER	10	5	17X25XT1.6	17x25xt1.6	
	21	<a href="#">111375</a>	WASHER	2	5	17X25XT0.5	17x25xt0.5	
	22	<a href="#">091199</a>	P.R.V.SPRING CASE	1		MS1503	Incl.23-32	
	23	<a href="#">029219</a>	P.R.VALVE SPRING CASE	1				
	24	<a href="#">100917</a>	P.R. VALVE SPRING SEAT	1		28XT3.2	28xt3.2	
	25	<a href="#">026188</a>	P.R. VALVE SPRING	40	5	ｶﾞｲﾀﾞ28 トｸｼ		
	26	<a href="#">029221</a>	P.R. VALVE SPRING STOPPER	1				
	27	<a href="#">103711</a>	P.R. VALVE HANDLE	1				
	28	<a href="#">101939</a>	P.R. VALVE HANDLE KNOB	1				
	29	<a href="#">013554</a>	P.R. VALVE SPRING KNOCK	1		10X55	10x55	
	30	<a href="#">020336</a>	WASHER	1	5	10.5X16XT1.2	10.5x16xt1.2	
	31	<a href="#">021380</a>	R PIN 8X1.6	1	10	8X1.6	8x1.6	
	32	<a href="#">100512</a>	WASHER	1				
	33	<a href="#">029236</a>	BODY PACKING	3				
	34	<a href="#">029222</a>	WASHER	1		10.2X40XT1.2	10.2x40xt1.2	
	35	<a href="#">029223</a>	BELLOWS PACKING	1				
	36	<a href="#">029224</a>	P.R.V.BELLOWS	1				
	37	<a href="#">101938</a>	ROD	1				
	38	<a href="#">029227</a>	P.R. V. SACK	1				
	39	<a href="#">107446</a>	VALVE BALL	1		2019-11-04		
	40	<a href="#">100436</a>	PRESSURE REGULATOR VALVE BODY	1		<a href="#">MS903</a>		
	41	<a href="#">111112</a>	P.R. V. SEAT	1				
	42	<a href="#">011379</a>	<a href="#">O-RING</a> CYLINDER	1	5	P32	P32	
	43	<a href="#">084728</a>	STUD BOLT	2		M8X80X11X18	M8x80x11x18	
	44	<a href="#">126201</a>	<a href="#">HEX</a> FANGE NUT	2	5	M8	M8	
	45	<a href="#">109048</a>	LABEL	1		ﾊﾞﾙﾍﾞｰﾌﾞ ﾁｷﾝﾊﾞｰ		
	46	<a href="#">121074</a>	LABEL	1				

### 7. MS905/MS1505/MS2215 ACCESSORIES



Status	Position	Parts Number	Parts Name	Unit Quantity	Set Unit Quantity	Specification	Remarks	Maker code
	1	<a href="#">018042</a>	SUCTION HOSE ASS'Y	1		32X3600	Incl.2-14 32x3600	
×	2	<a href="#">023336</a>	PACKING	1	5	31X39XT2	31x39xT2	
	3	<a href="#">103476</a>	DISCHARGE HOSE ASSY	1		25X3600	Incl.4 25x3600	
	4	<a href="#">103687</a>	SEAL	1	5	23.5X30XT2	23.5x30xt2	
	5	<a href="#">101225</a>	SUCTION STRAINER ASSY	1		<a href="#">MS903 703</a>	Incl.6-14	
	6	<a href="#">101226</a>	STRAINER NET	1		ヒラオリ#29-30メッシュ	#29-30	
	7	<a href="#">101227</a>	STRAINER BARREL	1				
	8	<a href="#">101228</a>	STRAINER UPPER FITTING	1		<a href="#">MS903 703</a>		
	9	<a href="#">014010</a>	O-RING	1		S35	S35	
	10	<a href="#">101330</a>	STRAINER PIPE	1				
×	11	<a href="#">101219</a>	STRAINER BOTTOM FITTING	1				
	12	190669	BOLT	2		M8X160LX30S	M8x160x30	
	13	<a href="#">013534</a>	WASHER	2		M8 コガ タマル	M8	
	14	<a href="#">081249</a>	NUT	2	5	M8 2ｼﾝ	M8x1.25	
	15	132363		1		R11/4 (ｼﾊﾝﾋﾝ)	R11/4	
	16	132357		1		<a href="#">MS905 1505 2215</a>	<a href="#">MS905/1505/2215</a>	