

PARTS LIST

MSD51T

CONTENTS

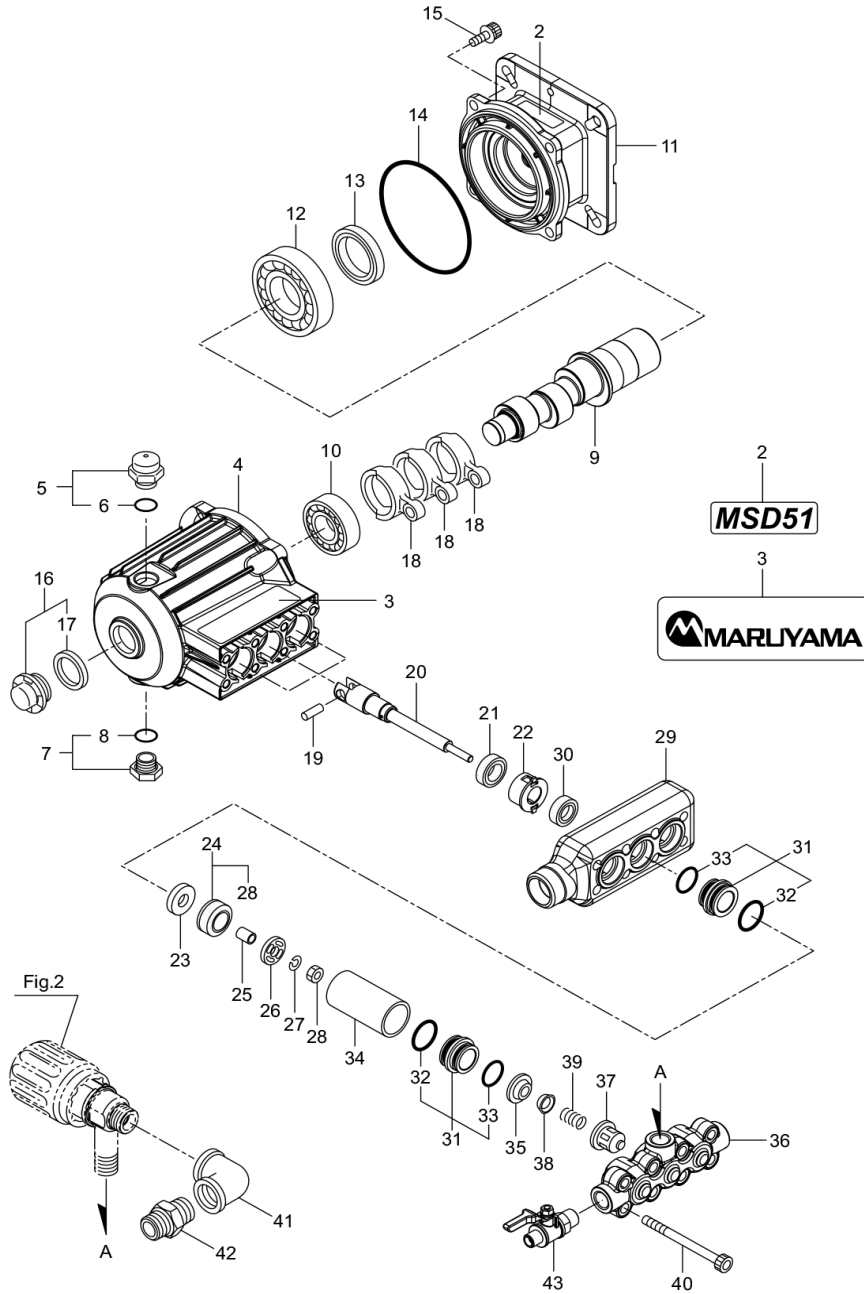
1. PUMP.....	1 ~ 2
2. RELIEF VALVE	3 ~ 4
3. ACCESSORIES	5 ~ 6

2019.06.



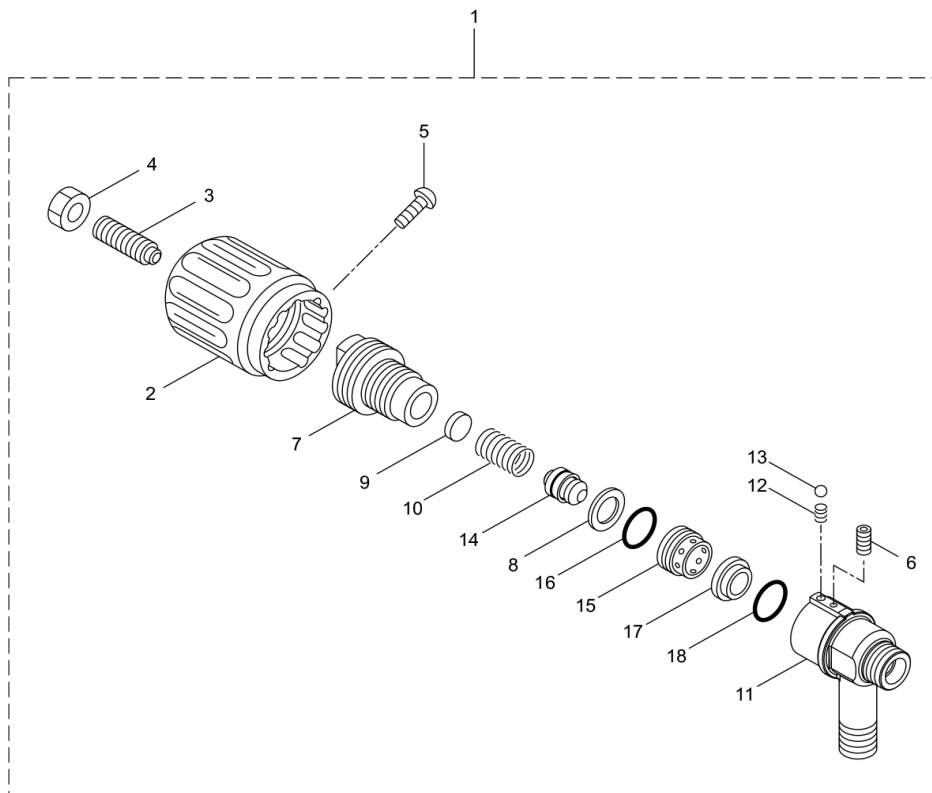
P/N 524847

1. MSD51T
PUMP



Status	Position	Parts Number	Parts Name	Unit Quantity	Set Unit Quantity	Specification	Remarks	Maker code
	1	366551	MSD51T(ASIA)	1				

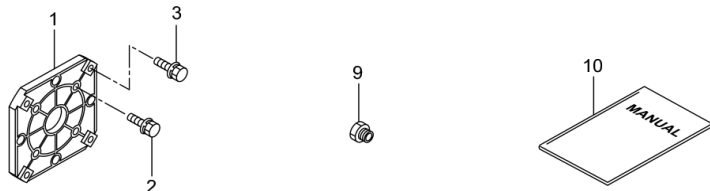
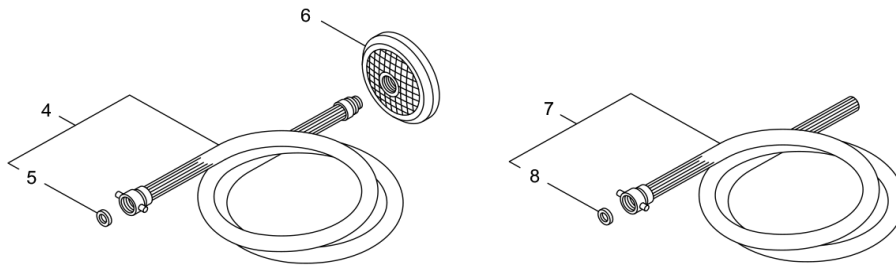
2. MSD51T
RELIEF VALVE



Status	Position	Parts Number	Parts Name	Unit Quantity	Set Unit Quantity	Specification	Remarks	Maker code
	1	566781		1		MSD51T	Incl.2-18	
	2	566242	GRIP	1				

Status	Position	Parts Number	Parts Name	Unit Quantity	Set Unit Quantity	Specification	Remarks	Maker code
						MS170㊦		
	3	566394	SCREW	1		M8X35 ㊦ ミサキ	M8x35	
	4	566395	NUT	1	5	M8 1ｼ	M8	
	5	566396	SCREW	2	10	M3XP0.5X5	M3x5	
	6	566397	SCREW	1	5	M4X6 ヒﾗサキ	M4x6	
	7	566398	GUIDE	1				
	8	566399	WASHER	1	5	16X21X0.7T	16x21xt0.6	
	9	566400	RETAINER	1		15XT2.5	15xt2.5	
	10	566401	SPRING	1		3.0-31L		
	11	566849		1				
	12	566403	SPRING	1		0.6-7L		
	13	566404	BALL	1		5/32	5/32	
	14	566810		1				
	15	566408	SLEEVE	1				
	16	566409	O-RING	1	5	P16	P16	
	17	566410	P.R.V. SEAT	1				
	18	566409	O-RING	1	5	P16	P16	

3. MSD51T
ACCESSORIES



Status	Position	Parts Number	Parts Name	Unit Quantity	Set Unit Quantity	Specification	Remarks	Maker code
	1	566245	FLANGE	1	1			

Status	Position	Parts Number	Parts Name	Unit Quantity	Set Unit Quantity	Specification	Remarks	Maker code
	2	566414	BOLT	4	5	M8X20(SM)	M8x20	
	3	566845		4		3/8-16UNCX25SMK	3/8-16UNCx25SMK	
	4	103864	SUCTION HOSE ASSY	1		25X3M	25x3m Incl.5	
	5	103687	SEAL	1	5	23.5X30XT2	23.5x30xt2	
	6	122017	SUCTION STRAINER ASSY	1				
	7	566426	SPILL HOSE ASSY	1		13X3M	13x1Bx3000L Incl.8	
	8	566430	GASKET FILLER CAP	1	5	12X18.5XT1.5	12x18.5xt1.5	
	9	566432	EXTENSION PF3/8XPF1/2	1		PF1/2XPF3/8	G1/2XG3/8	
	10	566790		1		MSD51	MSD51	