

2019/05/01 10:17:48

Model Code [364524](#)

Model Name [QC-E\(MUS\)](#)

Index Name [QC-E\(MUS\)](#)

PARTS LIST

QC-E

CONTENTS

1. QC-E 1 ~ 2

2016. 10.



MARUYAMA

P/N 524097-1

2019/05/01 10:18:08

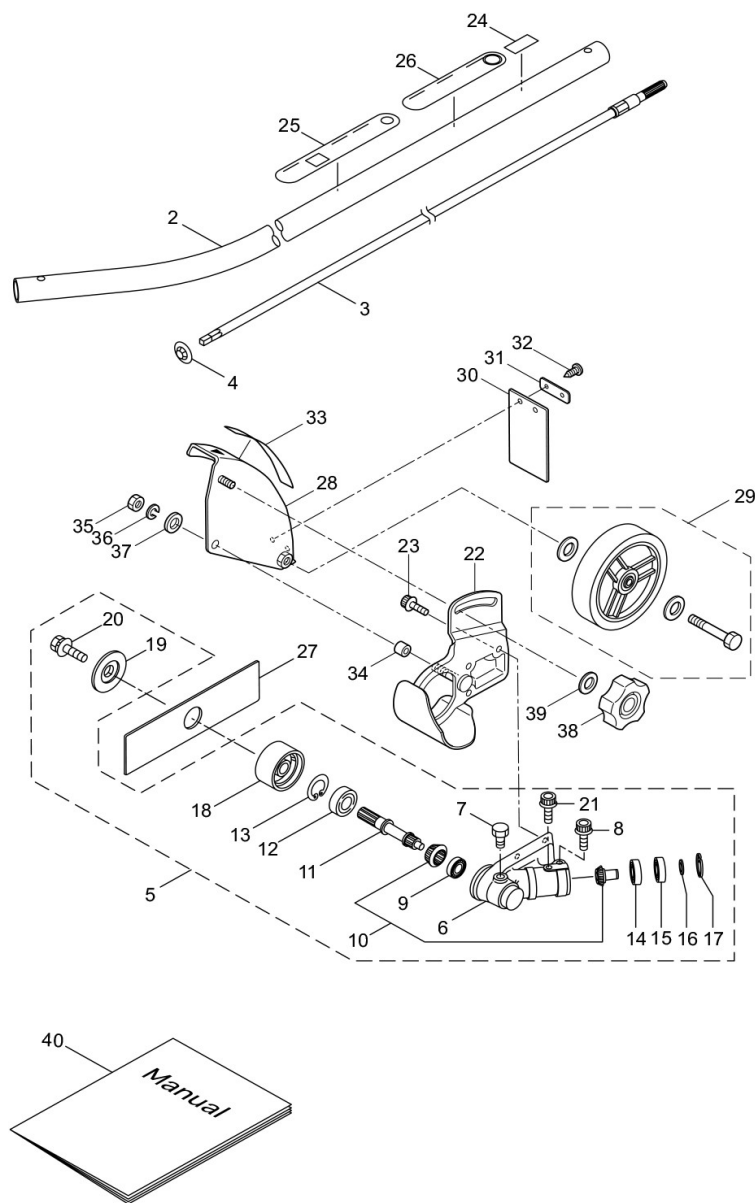
Model Code 364524

Model Name QC-E(MUS)

Index Name

1. QC-E

1. QC-E



2019/05/01 10:18:25

Position	Parts Number	Parts Name	Unit Quantity	Set Unit Quantity	Remarks
1	364524	OC-E(MUS)	1		
2	237040	OUTER TUBE ASSY	1		843L
3	237042	INNER SHAFT ASSY	1		876L
4	216631	NUT	1		#6
5	220168	GEARCASE ASSY	1		Incl.6-21
6	219077	GEAR HOUSING	1		
7	234109	BOLT	1	5	M8x8
8	261246	CAP SCREW	1	5	M5x25
9	210554	BEARING #608	1		#608
10	227101	GEAR SET	1		
11	216056	BLADE SHAFT	1		
12	212999	BEARING #60012RK	1		#6001 2RK
13	055185	SNAP RING #28	1	5	#28
14	210560	BEARING 609	1		#609
15	140268	BEARING #609Z	1		#609Z
16	228477	C-SHAPED RING	1		#9
17	140270	C-SHAPED SNAP RING	1		#24
18	220148	BOSS ADAPTER	1		
19	232852	BOSS B	1		
20	215610	BOLT	1		M8x22,Counterclockwise
21	215993	CAP SCREW	1		M5x10
22	238680	PLATE	1		
23	215993	CAP SCREW	3		M5x10
24	223926	LABEL	1		Lubricate
25	221501	CAUTION MARK	1		Warning
26	221502	CAUTION MARK	1		Caution
27	216062	CUTTING BLADE	1		50x195xt3.2
28	220158	SHIELD	1		
29	229590	WHEEL SET	1		
30	220162	FLAP	1		
31	238686	PLATE	1		t1.6
32	128195	TAPPING SCREW	2	10	M4x8
33	221528	LABEL	1		Caution
34	220165	COLLAR	1		8.2x10x8L
35	126521	NUT	1	5	M8
36	126232	WASHER SPRING	1	10	M8
37	127216	WASHER	1	5	M8
38	219088	CLAMPING KNOB	1		
39	127216	WASHER	1	5	M8
40	237748		1		