

PARTS LIST

QC-ES

CONTENTS

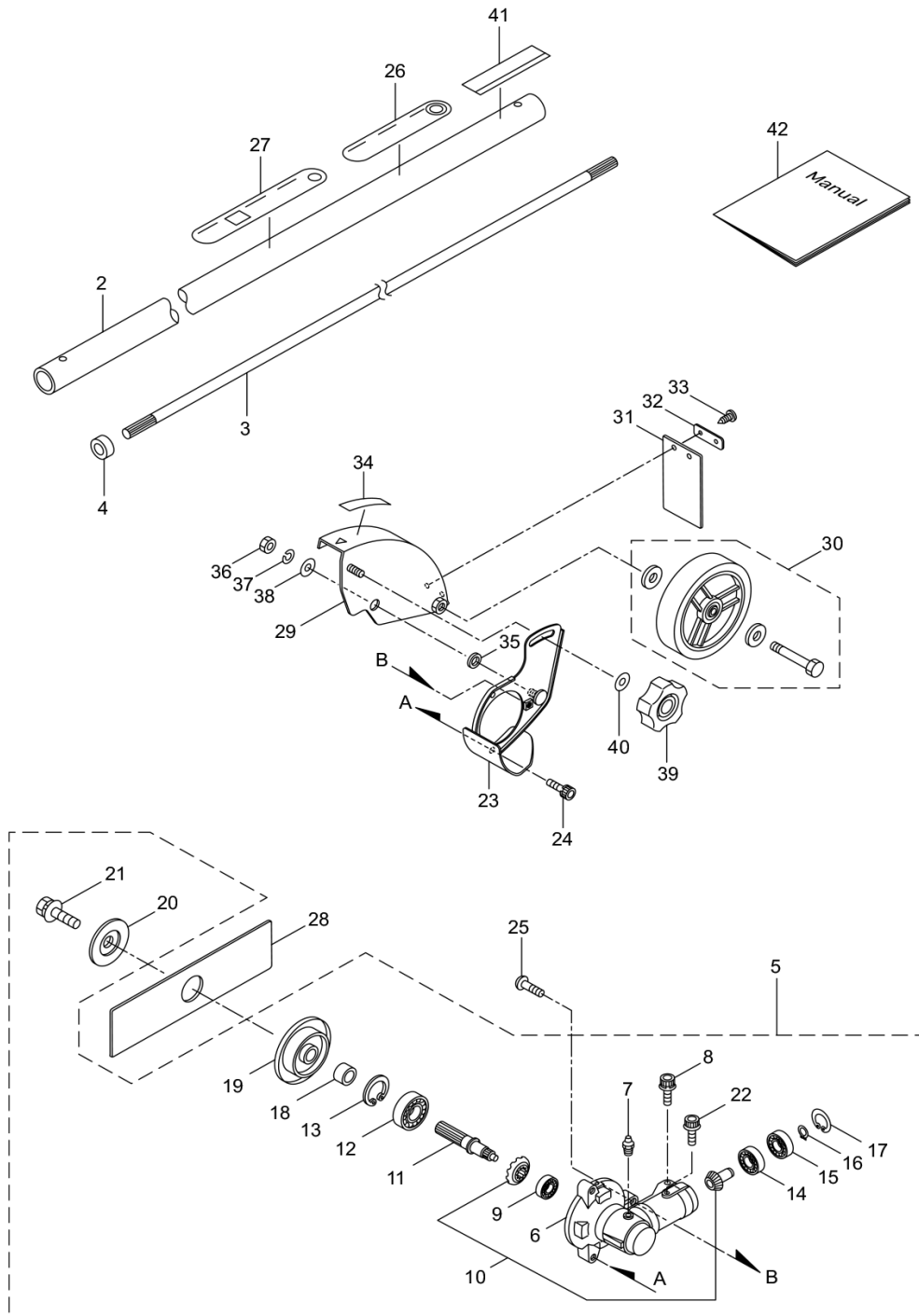
1. QC-ES 1 ~ 2

2016. 10.



P/N 524098-1

1. QC-ES



- 1 -

Status	Position	Parts Number	Parts Name	Unit Quantity	Set Unit Quantity	Specification	Remarks	Maker code
	1	364525	OC-ES(MUS)	1				
	2	237762	OUTER TUBE B ASSY	1		24XT1.6X723L	24xT1.6x723L	
	3	236843	DRIVE SHAFT B	1		7X758L リヨウSP-20	758L	
	4	216079	STOPPER	1		ク口		
	5	232621	GEARCASE ASSY	1		E30S(MUS)	Incl.6-22	
	6	232631	GEARCASE	1		E30S(MUS)		
	7	069553	GREASE NIPPLE	1		A-MT6X1カ ^タ		
	8	261246	CAP SCREW	1	5	M5X25	M5x25	
	9	210554	BEARING #608	1		#608	#608	
	10	227104	GEAR SET	1		90°/7SP. 15:22		
	11	232632	BLADE SHAFT	1				
	12	217659	BEARING(6201 2RK)	1		6201 2RK	#6201 2RK	
	13	016732	SNAP RING	1	5	7ナヨウ32	#32	
	14	210560	BEARING 609	1		#609	#609	
	15	140268	BEARING #609Z	1		#609Z	#609Z	
	16	228477	C-SHAPED RING	1		ジ ^ク ヨウ9 STW-9	#9	
	17	140270	C-SHAPED SNAP RING	1		7ナヨウ24	#24	
	18	232633	COLLAR	1				
	19	232634	BOSS ADAPTER ASSY	1				
	20	232852	BOSS B	1				
	21	215610	BOLT	1		M8X22 ビタ ^リ	M8x22,Counterclockwise	
	22	215993	CAP SCREW	1		M5X10	M5x10	
	23	238684	PLATE	1		E30S(MUS)		
	24	219113	CAP SCREW	2		M6X20	M6x20	
	25	264217	CAP SCREW	1		M5X20	M5x20	
	26	221501	CAUTION MARK	1		ANSI	Warning	
	27	221502	CAUTION MARK	1		ANSI	Caution	
	28	216062	CUTTING BLADE	1		50X195XT3.2	50x195xt3.2	
	29	232639	SHIELD	1				
	30	229590	WHEEL SET	1				
	31	220162	FLAP	1				
	32	238686	PLATE	1		T1.6	t1.6	
	33	128195	TAPPING SCREW	2	10	ナ ^ハ 2 ^シ ヌ M4X8	M4x8	
	34	221528	LABEL	1		DANGER	Caution	
	35	232641	WASHER	1		8X13XT2.5	8x13xt2.5	
	36	126521	NUT	1	5	M8 1 ^シ ヌ	M8	
	37	126232	WASHER SPRING	1	10	M8 2 ^コ ウ	M8	
	38	127216	WASHER	1	5	M8 ミ ^カ キ ^マ ル	M8	
	39	219088	CLAMPING KNOB	1		M8 メ ^ネ ジ ^{タイ} プ		
	40	127216	WASHER	1	5	M8 ミ ^カ キ ^マ ル	M8	
×	41	237763	UPC CODE LABEL	1		<u>OC-ES</u>	<u>OC-ES</u>	
	42	237748		1		3 ^カ コ ^ク コ ^ウ GB/ES/FR		