

2019/05/01 10:04:17

Model Code [364523](#)

Model Name [QC-HT\(MUS\)](#)

Index Name [QC-HT\(MUS\)](#)

PARTS LIST

QC-HT

CONTENTS

1. QC-HT 1 ~ 2

2016. 06.



P/N 524365

2019/05/01 10:05:27

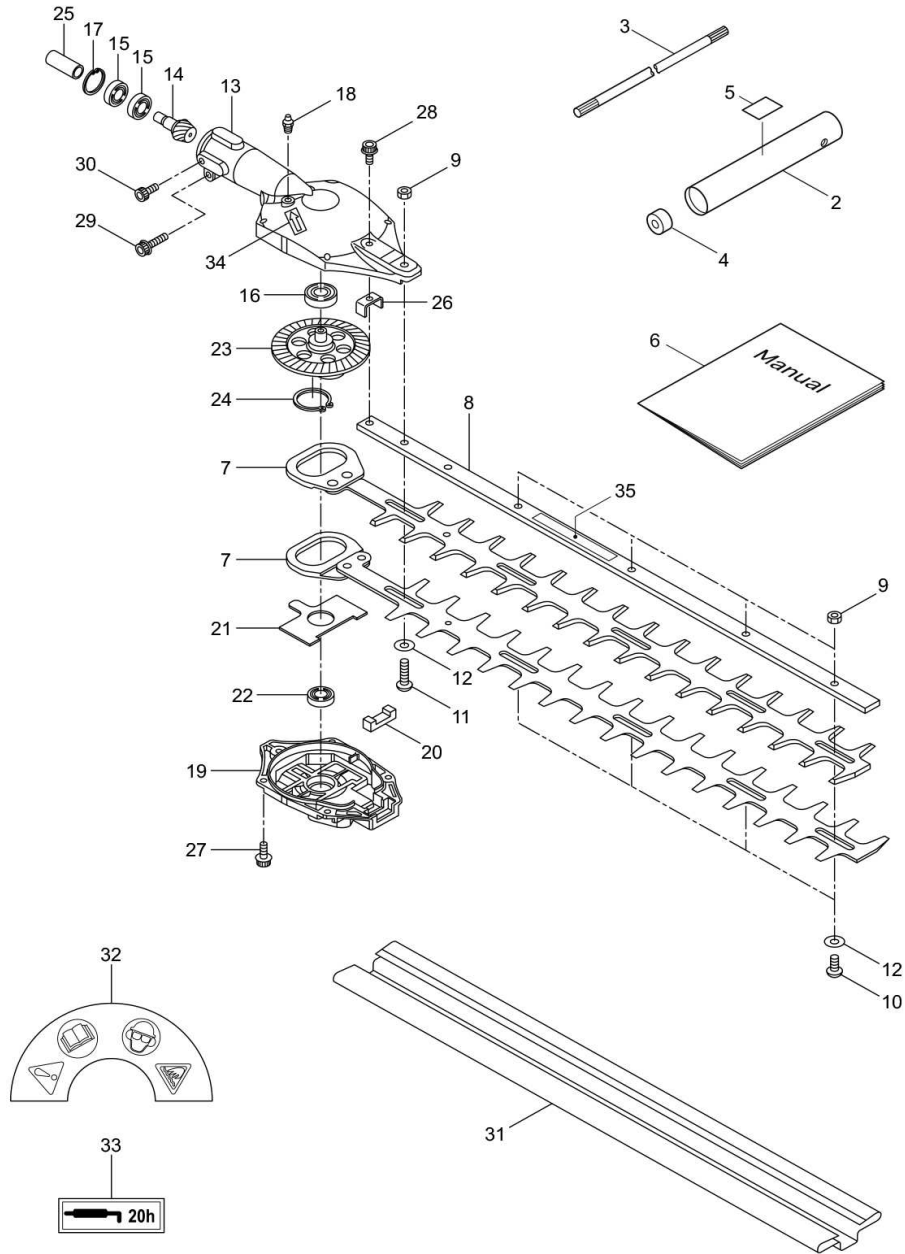
Model Code [364523](#)

Model Name [QC-HT\(MUS\)](#)

Index Name

[1. QC-HT](#)

1. QC-HT BLADE



2019/05/01 10:08:50

| Position | Parts Number | Parts Name | Unit Quantity | Set Unit Quantity | Remarks |
|----------|------------------------|-----------------|---------------|-------------------|--------------|
| 1 | 364523 | OC-HT(MUS) | 1 | | |
| 2 | 237793 | DRIVESHAFT TUBE | 1 | | 24xt1.6x155L |
| 3 | 237685 | DRIVE SHAFT B | 1 | | |
| 4 | 216079 | STOPPER | 1 | | |
| 5 | 217879 | LABEL | 1 | | Warning |
| 6 | 237796 | | 1 | | |
| 7 | 423321 | BLADE | 2 | | |
| 8 | 423322 | GUIDE PLAE | 1 | | |
| 9 | 580764 | U-NUT | 5 | 5 | M6 |
| 10 | 631765 | SCREW | 4 | | L17 |
| 11 | 407328 | SCREW | 1 | | L26 |
| 12 | 991913 | WASHER | 5 | 10 | |
| 13 | 423323 | UPPER CASE | 1 | | |
| 14 | 423324 | PINION | 1 | | |
| 15 | 423325 | BEARING | 2 | | #6900UU |
| 16 | 407313 | BEARING 6000ZZ | 1 | | |
| 17 | 631772 | SNAP RING | 1 | | RTW22 |
| 18 | 580766 | GREASE NIPPLE | 1 | | M6 |
| 19 | 423326 | LOWER CASE | 1 | | |
| 20 | 407332 | FELT | 1 | | |
| 21 | 407340 | SLIDE PLATE | 1 | | |
| 22 | 638464 | BEARING 608ZZ | 1 | | #608Z |
| 23 | 423327 | CRANK COMP | 1 | | |
| 24 | 631759 | SNAP RING | 1 | 5 | STW28 |
| 25 | 631779 | JOINT | 1 | | |
| 26 | 407333 | PLATE | 1 | | |
| 27 | 407331 | BOLT | 5 | 5 | M5x14 |
| 28 | 423328 | CAP SCREW | 1 | | M5x16 |
| 29 | 631778 | CAP SCREW | 1 | | M5x25 |
| 30 | 423329 | CAP SCREW | 1 | | M5x12 |
| 31 | 423330 | COVER OF BLADE | 1 | | |
| 32 | 423331 | LABEL | 1 | | |
| 33 | 423332 | LABEL | 1 | | |
| 34 | 423333 | LABEL | 1 | | |
| 35 | 235595 | LABEL | 1 | | |