

2019/05/01 10:11:13

Model Code [364533](#)

Model Name [QC-HTS\(MUS\)](#)

Index Name [QC-HTS\(MUS\)](#)

PARTS LIST

QC-HTS

CONTENTS

1. QC-HTS 1 ~ 4

2015. 06.

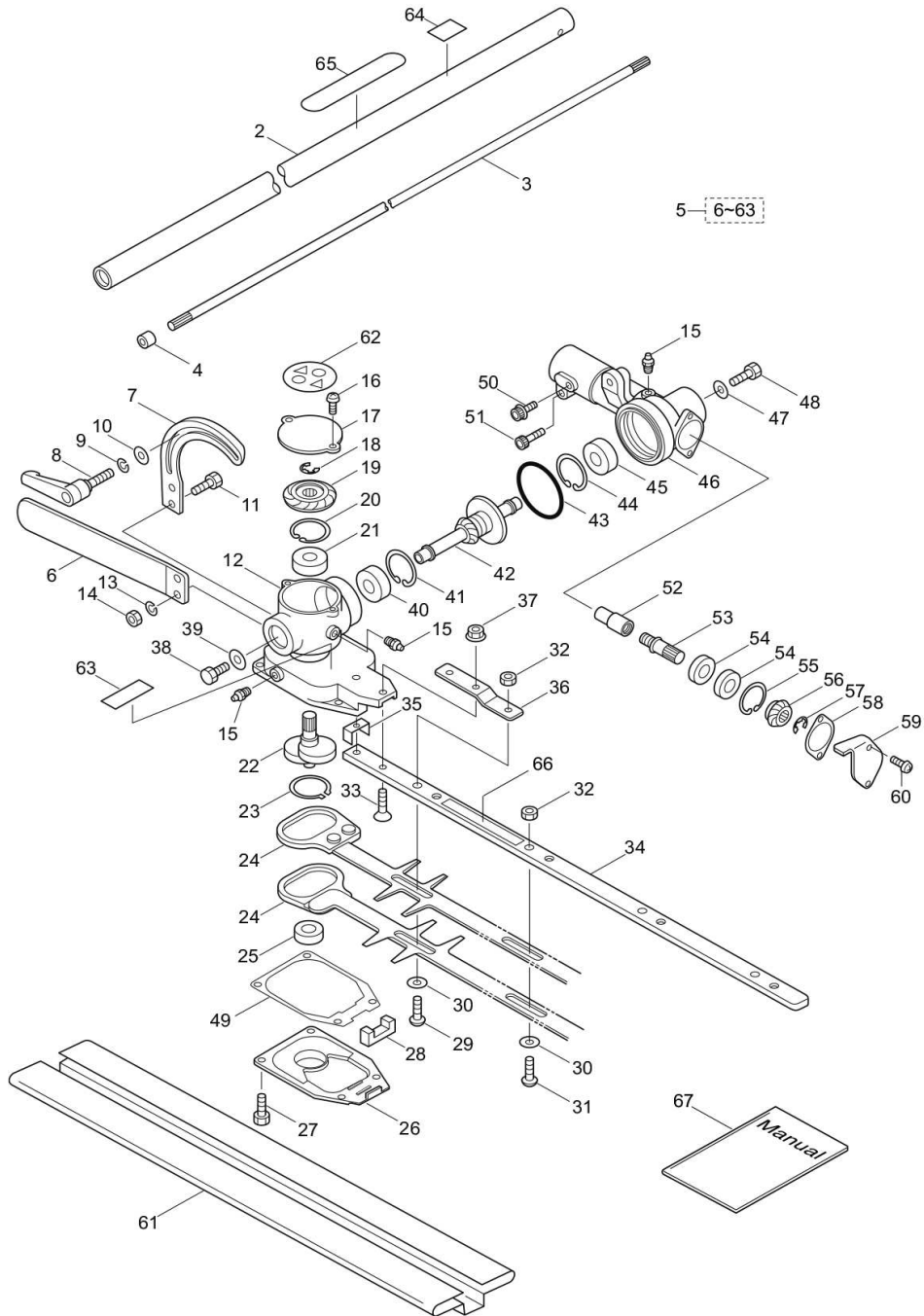


P/N 524099

2019/05/01 10:11:56

Model Code 364533 Model Name QC-HTS(MUS) Index Name 1. QC-HTS

1. QC-HTS



2019/05/01 10:12:18

Position	Parts Number	Parts Name	Unit Quantity	Set Unit Quantity	Remarks
1	364533	OC-HTS(MUS)	1		
2	237799	OUTER TUBE B ASSY	1		728L
3	236843	DRIVE SHAFT B	1		758L
4	216079	STOPPER	1		
5	223870	TRIMMER(16) COMP	1		Incl.6-63
6	223872	HANDLE	1		
7	223873	STAY	1		
8	631748	CLAMP LEVER	1		6x25
9	631749	SPRING WASHER	1	10	M6
10	631750	WASHER	1	5	6x15xt2
11	631751	SCREW	2		M6x22
12	634568	HOUSING (A)	1		
13	631749	SPRING WASHER	2	10	M6
14	582438	HEXAGON NUT (M6)	2	10	M6
15	580766	GREASE NIPPLE	3		M6
16	631753	SCREW	2		M4x8
17	631754	PLATE A	1		
18	631755	SNAP RING	1	5	ETW6
19	631756	GEAR	1		R2
20	631757	SNAP RING	1	5	RTW26
21	582443	BEARING 6000DDU	1		#6000 2RS
22	631758	CRANK COMPLETE	1		
23	631759	SNAP RING	1	5	STW28
24	631760	BLADE	2		L400
25	580768	BALL BEARING 608Z	1		#608Z
26	634570	BOTTOM LID	1		
27	634572	BOLT	4		M4x12
28	631763	FELT	1		
29	631764	SCREW	1		L19
30	991913	WASHER	4	10	
31	631765	SCREW	3		L17
32	580764	U-NUT	4	5	M6
33	631766	SCREW	2	5	M5x20
34	631767	GUIDE PLATE	1		
35	631768	STOPPER	1		
36	631769	REINFORCING PLATE	1		
37	580763	FLANGE NUT	2	10	M5
38	631770	SCREW	1		M6x12
39	631750	WASHER	1	5	6x15xt2
40	631771	BEARING 608 2RS	1		#608 2RS
41	631772	SNAP RING	1		RTW22
42	631773	GEAR SHAFT A	1		
43	631774	O-RING	1		P41
44	631757	SNAP RING	1	5	RTW26
45	582443	BEARING 6000DDU	1		#6000 2RS
46	634569	HOUSEING (B)	1		
47	631750	WASHER	1	5	6x15xt2
48	631770	SCREW	1		M6x12
49	634571	PACKING	1		
50	631777	CAP SCREW	1		M5x12
51	631778	CAP SCREW	1		M5x25
52	631779	JOINT	1		
53	631780	GEAR SHAFT B	1		
54	631781	BEARING 6900RS	2		#6900RS
55	631772	SNAP RING	1		RTW22
56	631782	GEAR	1		L2
57	631755	SNAP RING	1	5	ETW6
58	631783	PACKING	1		
59	643721	PLATE 135	1		
60	643722	SCREW M4X10	2		M4x10
61	631785	BLADE COVER	1		440L
62	631786	SEAL	1		
63	223925	LABEL	1		Grease up
64	217879	LABEL	1		Warning
65	221501	CAUTION MARK	1		Warning
66	235595	LABEL	1		
67	237796		1		