

PARTS LIST

QC-LB SHAFT

CONTENTS

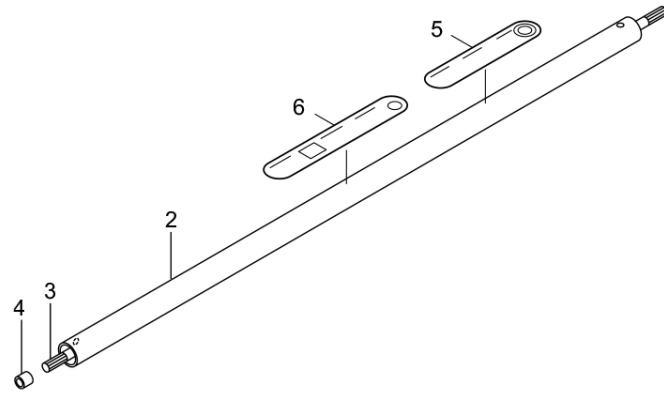
1. QC-LB SHAFT	1 ~ 2
----------------------	-------

2015. 06.



P/N 524102

1. QC-LB SHAFT



Status	Position	Parts Number	Parts Name	Unit Quantity	Lot Order Quantity	Remarks	Maker code
	1	237750	QC-LB_SHAFT(MUS)237750	1			
	2	237170	DRIVESHAFT TUBE ASSY	1			
	3	236843	DRIVE SHAFT B	1		758L	
	Four	216079	STOPPER	1			
	Five	221501	CAUTION MARK	1		Warning	
	6	221502	CAUTION MARK	1		Caution	