

2019/05/01 10:20:09

**Model Code**    [364528](#)

**Model Name**    [QC-ST\(MUS\)](#)

**Index Name**    [QC-ST\(MUS\)](#)

# PARTS LIST

## QC-ST

### CONTENTS

1. QC-ST ..... 1 ~ 2

2015. 06.



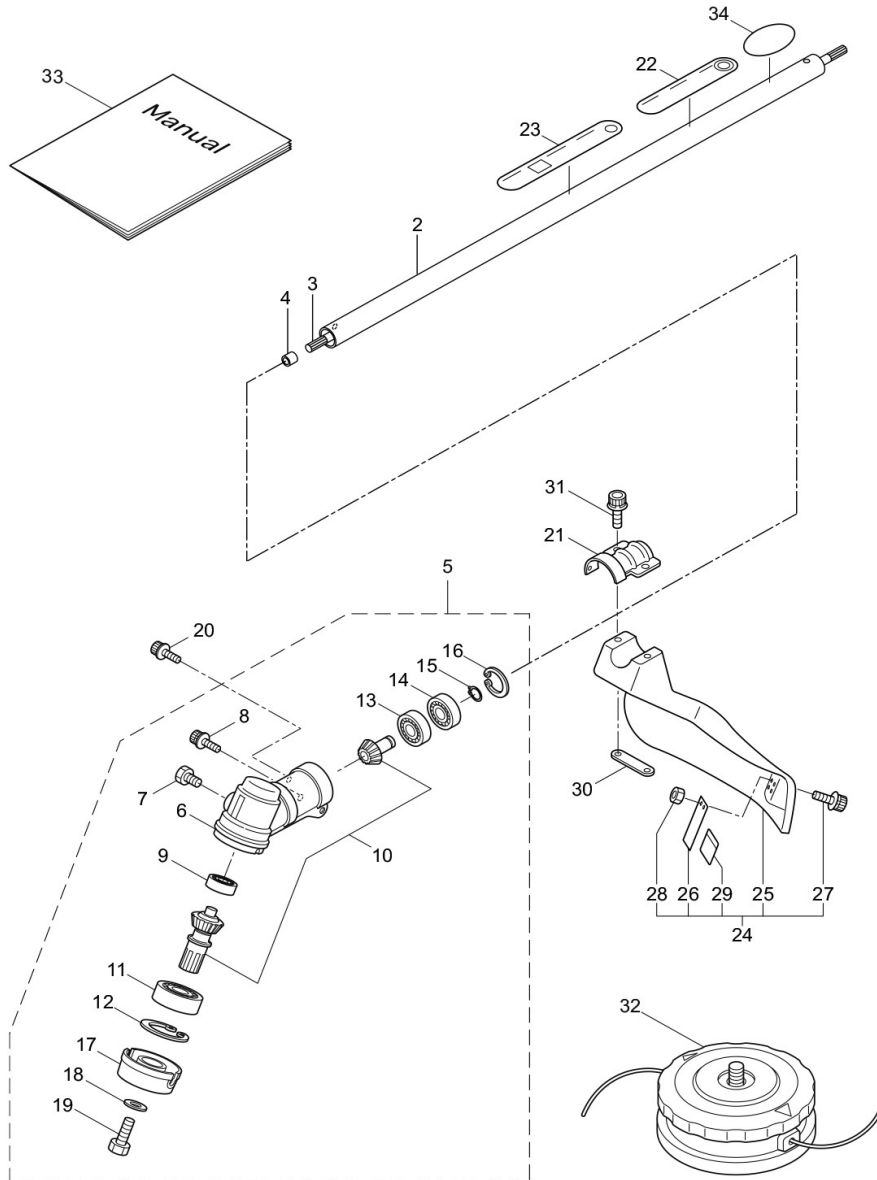
**MARUYAMA**

P/N 524096

2019/05/01 10:20:28

Model Code [364528](#) Model Name [QC-ST\(MUS\)](#) Index Name 1. [QC-ST](#)

1. QC-ST



2019/05/01 10:20:41

Position	Parts Number	Parts Name	Unit Quantity	Set Unit Quantity	Remarks
1	<a href="#">364528</a>	OC-ST(MUS)	1		
2	<a href="#">237170</a>	DRIVESHAFT TUBE ASSY	1		
3	<a href="#">236843</a>	DRIVE SHAFT B	1		758L
4	<a href="#">216079</a>	STOPPER	1		
5	<a href="#">232718</a>	GEARCASE(13:25)	1		Incl.6-19
6	<a href="#">232719</a>	GEAR CASE	1		
7	<a href="#">234109</a>	BOLT	1	5	M8x8
8	<a href="#">261246</a>	CAP SCREW	1	5	M5x25
9	<a href="#">210560</a>	BEARING 609	1		#609
10	<a href="#">233332</a>	GEAR SET	1		
11	<a href="#">232724</a>	BEARING 62032RS	1		#6203 2RS
12	<a href="#">012381</a>	HOLE SNAP PIN	1		#40
13	<a href="#">210560</a>	BEARING 609	1		#609
14	<a href="#">140268</a>	BEARING #609Z	1		#609Z
15	<a href="#">228477</a>	C-SHAPED RING	1		#9
16	<a href="#">140270</a>	C-SHAPED SNAP RING	1		#24
17	<a href="#">232726</a>	BOSS ADAPTER	1		
18	<a href="#">127216</a>	WASHER	1	5	M8
19	<a href="#">221998</a>	BOLT	1		M8x12,Counterclockwise
20	<a href="#">261233</a>	SCREW	1		M5x12
21	<a href="#">225962</a>	BRACKET	1		
22	<a href="#">221501</a>	CAUTION MARK	1		Warning
23	<a href="#">221502</a>	CAUTION MARK	1		Caution
24	<a href="#">226300</a>	COVER ASSY	1		Incl.25-29
25	<a href="#">225961</a>	SAFETY COVER	1		
26	<a href="#">231493</a>	STRING CUTTER LONG	1		
27	<a href="#">227817</a>	BOLT	2	5	M5x12
28	<a href="#">081027</a>	NUT	2	5	M5
29	<a href="#">212972</a>	CODE CUTTER COVER	1		
30	<a href="#">225963</a>	THREADED BRACKET	1		
31	<a href="#">261612</a>	CAP SCREW	2		M5x30
32	<a href="#">234704</a>	M-TWIST(L)4	1		
33	<a href="#">237806</a>		1		
34	<a href="#">232898</a>	LABEL	1		TURBO